

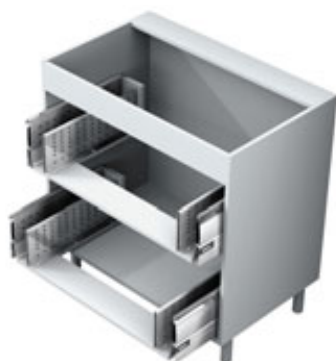


TANDEMBOX Sink unit



Ideas for the sink cabinet

By using pull-outs under the sink, you can make better and more intelligent use of valuable kitchen storage space.

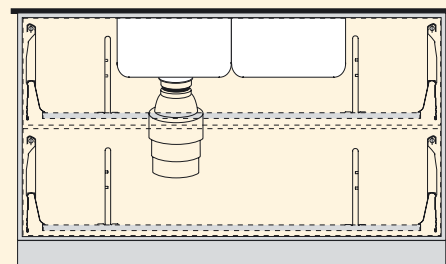


Everything required for cleaning can be easily stored in the new pull-out under the sink and will always be within easy reach.

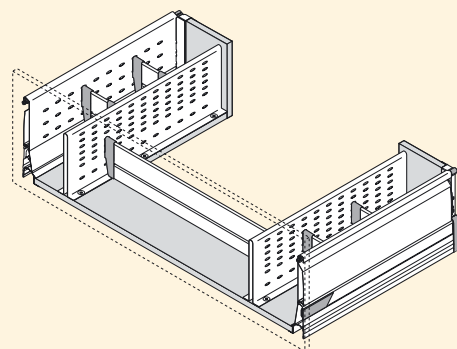
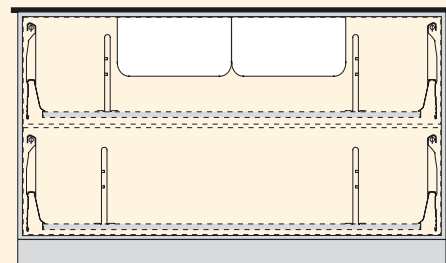
By incorporating the ORGA-LINE inner dividing system, pull-out organization can be optimized. The bottom pull-out is perfectly suited for waste and recycling storage.

You can use the blum sink cabinet drawer concept with and without garbage disposal.

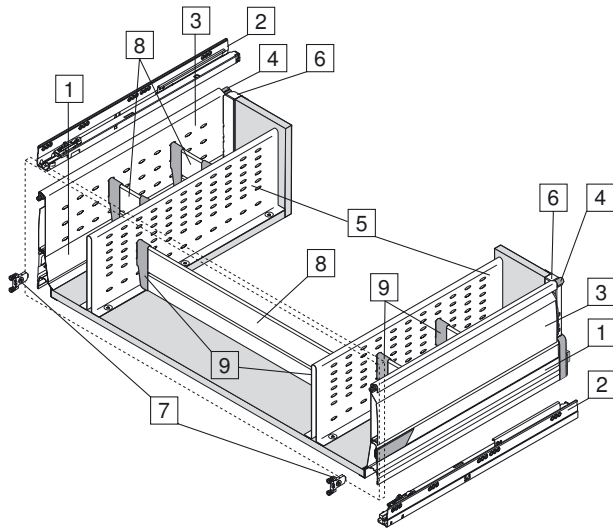
with garbage disposal



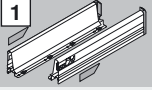
without garbage disposal



Order specification



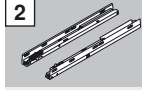
Sink cabinet for 1, 1½-basin sinks (900 - 1000 mm carcass width) and 2 basin sinks (1200 mm carcass width).

1  **Drawer sides and cover caps left / right**

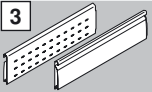
SW Steel white, SG Steel met. grey (RAL9006)

Nominal Length	SW	SG	stainless steel
450 mm	358M4502S	358M4502I	358M4502I
500 mm	358M5002S	358M5002I	358M5002I
550 mm	358M5502S	358M5502I	358M5502I
600 mm	359M6002S	359M6002I	359M6002I
650 mm	359M6502S	359M6502I	359M6502I

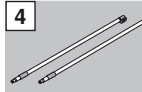
Can be printed with customer logo - minimums from 1,000 pcs

2  **Carcass profiles left / right**

	30 kg	50 kg
	558.4501B	559.4501B
	558.5001B	559.5001B
	558.5501B	559.5501B
		559.6001B
		559.6501B

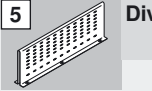
3  **Thick walled BOXSIDE left / right**

Nominal Length	SW	SG	stainless steel
450 mm	2 x Z37H418S.E	Z37H418I.E	Z37H418I.E
500 mm	2 x Z37H468S.E	Z37H468I.E	Z37H468I.E
550 mm	2 x Z37H518S.E	Z37H518I.E	Z37H518I.E
600 mm	2 x Z37H568S.E	Z37H568I.E	Z37H568I.E
650 mm	2 x Z37H618S.E	Z37H618I.E	Z37H618I.E


4  **Lateral gallery rail right / left**

white, met. grey, chrome

	ZRG.396V.IC
	ZRG.446V.IC
	ZRG.496V.IC
	ZRG.546V.IC
	ZRG.596V.IC

5  **Dividing wall**

Nominal Length	SW	SG	stainless steel
450 mm	2 x Z46C420S	Z46C420I	Z46C420I
500 mm	2 x Z46C470S	Z46C470I	Z46C470I
550 mm	2 x Z46C520S	Z46C520I	Z46C520I
600 mm	2 x Z46C570S	Z46C570I	Z46C570I
650 mm	2 x Z46C620S	Z46C620I	Z46C620I

6  **Back and gallery fixing left / right**

white, met. grey, nickel

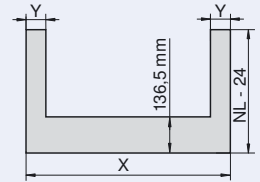
	Z30D000S
--	----------

7  **Front fixing brackets**

INSERTA version	2 x	ZSF.3902
Screw-on version	2 x	ZSF.3502
Knock-in version	2 x	ZSF.3602

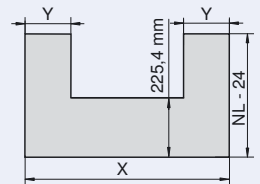
Cutting dimensions

Drawer Bottom
with garbage disposal



	X	Y
36"	807 mm	83 mm
42"	960 mm	160 mm

without garbage disposal



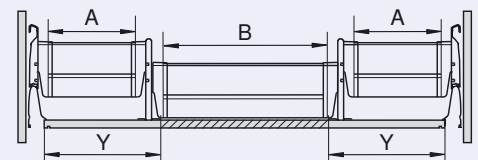
	X	Y
36"	807 mm	172 mm
42"	960 mm	248 mm

Drawer back



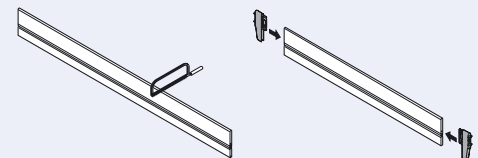
NL Nominal length

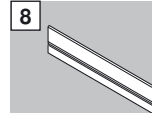
Alu-cross divider for cutting to size



$$A = Y - 60 \text{ mm}$$

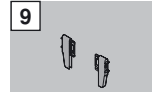
$$B = X - 2Y - 6 \text{ mm}$$



8  **Alu-cross divider for cutting to size**

white, met. grey, nickel

	Z40H1077A
--	-----------

9  **Cross divider connector left / right**

RAL 7037 dust grey

	Z40H000A
--	----------