

New



For pivot bi-folding cabinet pocket doors up to 25 kg (55 lbs.)

HAWA-Folding Concepta 25



Fully opening and flush-closing fronts of up to 2800 mm (9'2¼"): never before were rooms this flexible.

HAWA-Folding Concepta 25

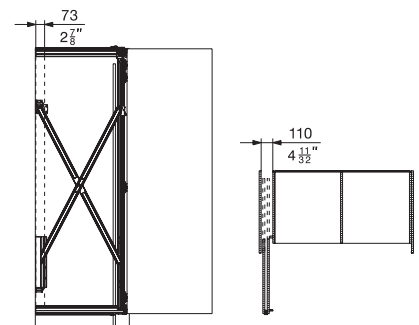
For some time now, the architectural trend has been moving away from small rooms towards large, open rooms with multifunctional utilisation options. However, only now has an innovative hardware system become available that meets these demands across the entire width: the new HAWA-Folding Concepta 25. It enables entire cabinet widths of up to 2800 mm (9'2¼") to disappear flush with the side of the cabinet in a single smooth movement. The future of creative application designs is literally wide open: from an office recess in the guest bedroom to a utility room in the bathroom and a kitchen in the living room, the freedom of design is virtually boundless.

About the product

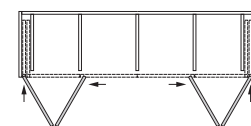
The HAWA-Folding Concepta 25 bifolds two doors and slides them into the side niche. This makes the innovative system all the more spatially economic: the slide-in loss is a mere 73 mm (2⅞"), the recess width only 110 mm (4⅜"), and you even gain more freedom of movement in the room as the doors are parked away flush inside the cabinet body or recess when the front is open. HAWA's high-quality scissor technology guarantees that doors move easily and quietly without ever jamming. By the way, the gap pattern presented to the beholder is as calm as the doors are quiet. Especially as the flush, uniform front design for a cabinet or kitchen front is also possible in combination with HAWA-Concepta 25/30/50 or with hinged doors.



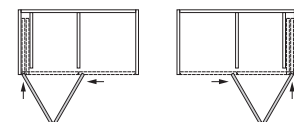
An elegant solution either way: fully open...



...or flush when closed.



Double system.



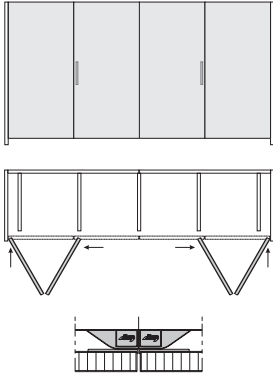
Left-hand installation.

Right-hand installation.

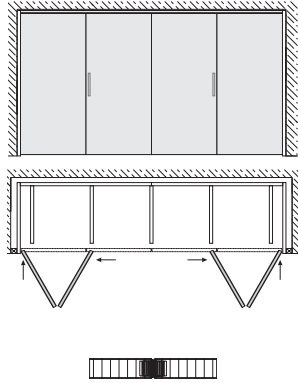
The right solution for every structural situation

Whether simple cabinet designs with an optional base profile for overlaying cabinet fronts, room high solutions without a cabinet base or semi height fronts: the HAWA-Folding Concepta 25 fits the bill no matter the concept. Walk in cabinet installations with uninterrupted flooring in wall recesses, for instance. Or fronts from worktop to ceiling as a creative option.

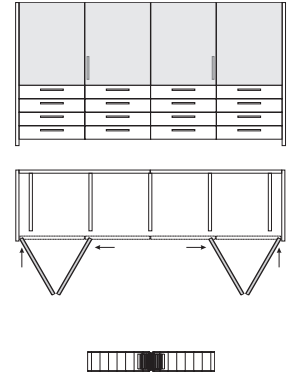
Overlaying cabinet front with base profile.



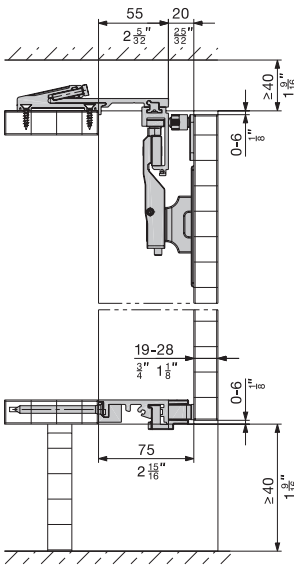
Recess cover without a cabinet base.



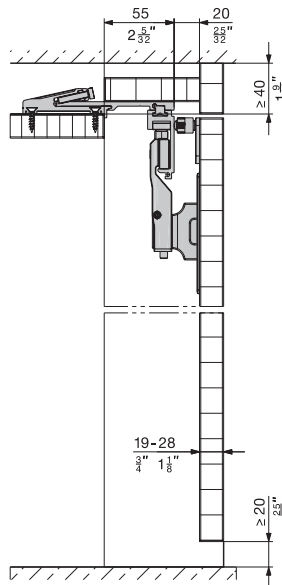
Semi height variant from the worktop.



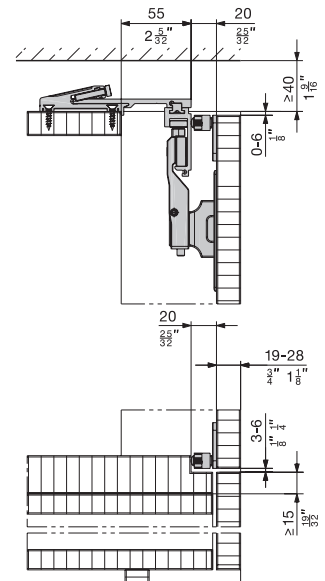
Door centring with liner ramp.



Door centring with magnetic centring elements.



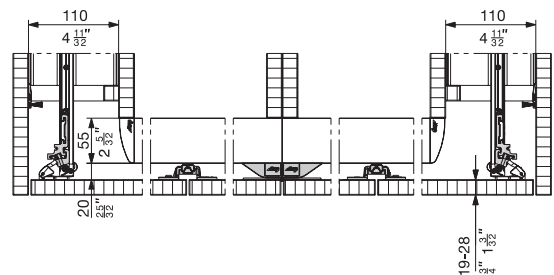
Door centring with magnetic centring elements.



Spatial economy thanks to a recess width of 110 mm (4 11/32")

The recess width of 110 mm (4 11/32") enables a minimum loss of effective width and corresponds with the grid pattern of HAWA-Concepta 25/30/50. This reduces complexity and facilitates planning.

Double systems of up to 2800 mm (9'2 1/4") without a centre section are feasible thanks to the optionally available profile for reinforcing the cabinet ceiling.



At a glance

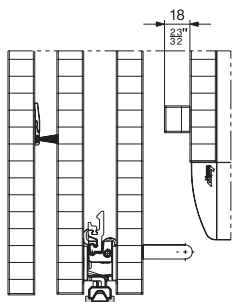
- Free access to the entire cabinet width when open, flush when closed.
- Low slide in loss of 73 mm ($2\frac{7}{8}$ " in the cabinet depth.
- Aesthetic appeal: an aluminium fascia conceals hinges when the door pair is in the side pocket.
- The second door does not sag thanks to a positively driven trolley.
- Also suitable for fronts reaching from the worktop surface to the ceiling.
- Flexibly combinable with HAWA-Concepta 25/30/50 and with hinged doors (door reveal 2–5 mm ($\frac{3}{32}$ "– $\frac{7}{32}$ ")).
- High installer friendliness: drill holes required for positioning and concealed hinges only; top tracks and inferior profiles can be installed and all adjustments are made from the front.

Technical Specifications

Door weight	25 kg (55 lbs.) (50 kg (110 lbs.) per door pair)
Door width	300–700 mm ($11\frac{13}{16}$ "– $2'3\frac{9}{16}$ "
Door height	1250–2600 mm ($4'1\frac{7}{32}$ "– $8'6\frac{3}{8}$ "
Door thickness	19–28 mm ($\frac{3}{4}$ "– $1\frac{1}{8}$ "



HAWA-Folding Concepta 25: unfolds its qualities with semi height bi-folding pocket doors, too.



A handy solution: standard handles

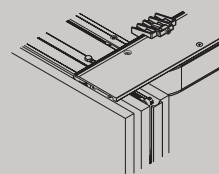
Commercially available bow handles fold the door pairs and slide them flush to either side in next to no time.

Installer friendliness included

Installing the HAWA-Folding Concepta 25 is no reason to frown. The set for a folding door pair already includes the scissor action and top track. The high degree of pre assembly of left hand and right hand doors makes on site installation easier and saves time. Top track and base profile are fitted from the front – quickly and easily, even across a number of already installed cabinet bodies.

Safer than safe

The only time when a HAWA-Folding Concepta 25 cannot be moved: the lock catch from Hawa and the espagnolette lock TERZA 3017 from Heusser make cabinet fronts lockable.



Component of the HAWA-Folding Concepta 25 set: well thought out connection profiles for cabinet body and sides ease the installation of overlaying cabinet doors.

Available from specialist dealers

Further information:

Hawa AG
8932 Mettmenstetten
Switzerland
Tel. +41 44 767 91 91
Fax +41 44 767 91 78
www.hawa.ch





As discreet as it is aesthetic: walk in recess solution without a cabinet base.