

MODEL 3132TR

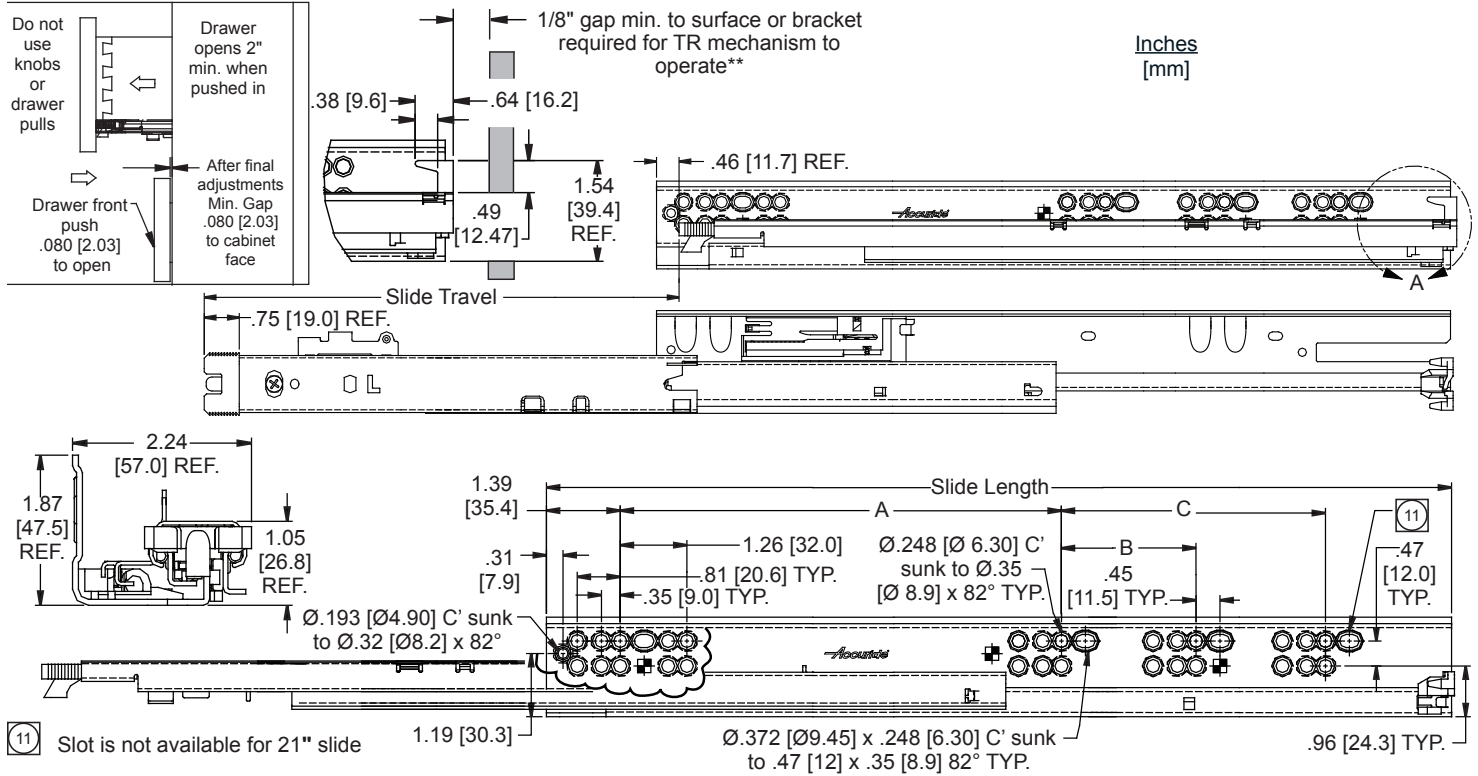
Eclipse Undermount with Touch Release

Not recommended for lateral files
100 lb.* [45.5 kg.] Load Capacity
Face Frame and 32 mm System Compatible

APPLICATIONS: For use in furniture, kitchen and residential cabinetry, and commercial millwork.
This product is covered by U.S. and various foreign patents issued and/or pending.

MODEL 3132TR

Lengths: 12"-28", 15", 21"
Height: 1.05"-under drawer
1.87"-overall
Load Rating: 100 lbs*
Undermount-Touch Release



Lengths Even lengths 12"-28" [305 mm-711 mm],
15" [381 mm], and 21" [533 mm]
Height 1.05" [26.8 mm] Under drawer
1.87" [47.5 mm] Overall
Travel Full extension
Slide Finish Bright electro-zinc (RoHS compliant)

Load Rating 100 lbs.* [45.5 kg]
Mounting Side, optional hardware kits for face frame and
bottom mount brackets, drill jig also available.
Features Compatible with 1/2" [12.7 mm] to 5/8"
[15.9 mm] drawer box thickness, 1/8" [3.2 mm] range
of horizontal and vertical drawer front adjustment.

Part number	Slide Length	Slide Travel	A	B	C	Drawer Depths	Cabinet Depths Ref.**
C 3132-12TR	12.00 [304.8]	11.36 [288.5]	5.04 [128.0]	3.78 [96.0]		12.00 [304.8]	12.63-14.63 [320.8]-[371.6]
C 3132-14TR	14.00 [355.6]	13.36 [339.3]	5.04 [128.0]	3.78 [96.0]		14.00 [355.6]	14.63-16.63 [371.6]-[422.4]
C 3132-15TR	15.00 [381.0]	14.36 [364.7]	5.04 [128.0]	7.56 [192.0]		15.00 [381.0]	15.63-17.63 [397.0]-[447.8]
C 3132-16TR	16.00 [406.4]	15.36 [390.1]	5.04 [128.0]	7.56 [192.0]		16.00 [406.4]	16.63-18.63 [422.4]-[473.2]
C 3132-18TR	18.00 [457.2]	17.36 [440.9]	5.04 [128.0]	7.56 [192.0]		18.00 [457.2]	18.63-20.63 [473.2]-[524.0]
C 3132-20TR	20.00 [508.0]	19.36 [491.7]	8.82 [224.0]	7.56 [192.0]		20.00 [508.0]	20.63-22.63 [524.0]-[574.0]
C 3132-21TR	21.00 [533.4]	20.36 [517.1]	8.82 [224.0]	7.56 [192.0]	10.08 [256.0]	21.00 [533.4]	21.63-23.63 [549.4]-[600.2]
C 3132-22TR	22.00 [558.8]	21.36 [542.5]	8.82 [224.0]	10.08 [256.0]		22.00 [558.8]	22.63-24.63 [574.8]-[625.6]
C 3132-24TR	24.00 [609.6]	23.36 [593.3]	8.82 [224.0]	10.08 [256.0]		24.00 [609.6]	24.63-26.63 [625.8]-[676.4]
C 3132-26TR	26.00 [660.4]	25.36 [644.1]	8.82 [224.0]	10.08 [256.0]	13.86 [352.0]	26.00 [660.4]	26.63-28.63 [676.6]-[727.2]
C 3132-28TR	28.00 [711.2]	27.36 [694.9]	8.82 [224.0]	10.08 [256.0]	13.86 [352.0]	28.00 [711.2]	28.63-30.63 [727.2]-[778.0]

* Load rating based on 18" slides installed in a 24" wide drawer cycled 50,000 times.

Drawer and Cabinet Build Requirements

FIGURE 1

Build drawer and cabinet based on dimensions shown.

Drawer side thickness	5/8" [16]	19/32" [15]	9/16" [14]	1/2" [13]
To determine outside drawer width, deduct from inside cabinet width:	1/2" [13]	9/16" [14]	5/8" [16]	3/4" [19]
To determine inside drawer width, deduct from inside cabinet width:	1 3/4" [44.5]			

NOTE: Maximum drawer height equals cabinet opening height minus 13/16" [20.6 mm].

Recommended drawer bottom inset 1/2" [13 mm] max.

FIGURE 2

Drawer length equals slide length.

Drawer Preparation

FIGURE 3

Notch drawer back flush with drawer bottom to provide clearance for slides. ‡

Pre-drill two holes for the slide hooks. ‡

FIGURE 4

Pre-drill four holes for disconnect handle assemblies at a 10° angle to the bottom panel. ‡

FIGURE 5

Install both disconnect levers to the bottom of the drawer.

NOTE: The levers should curve toward the center of the drawer.

Place disconnect handles against each inside corner of the drawer bottom and install with #6 pan head screws.

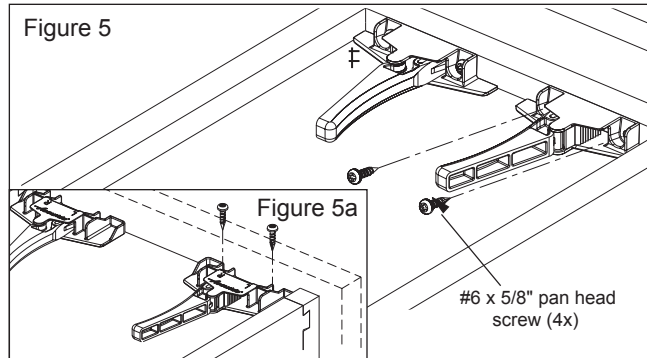
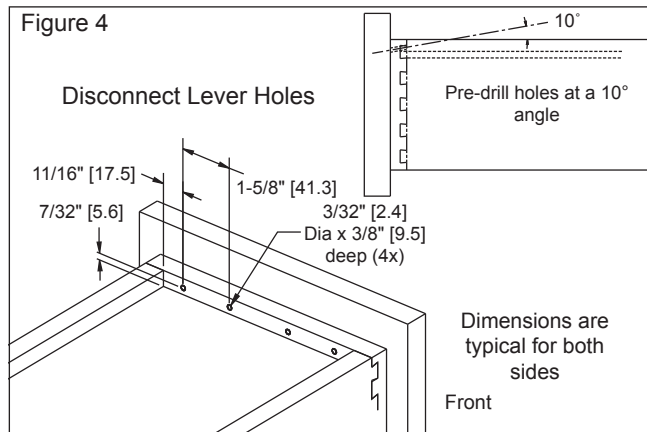
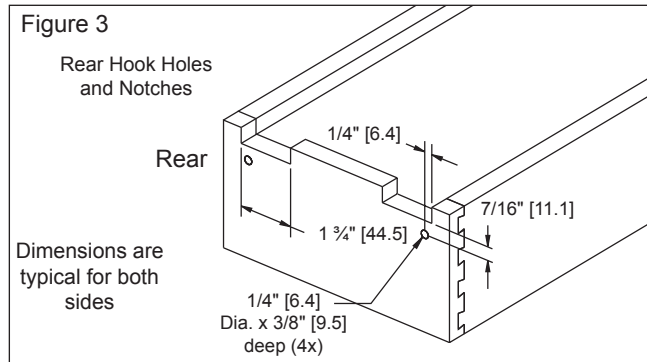
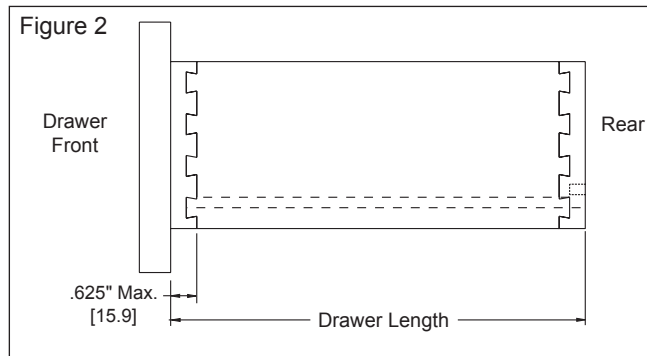
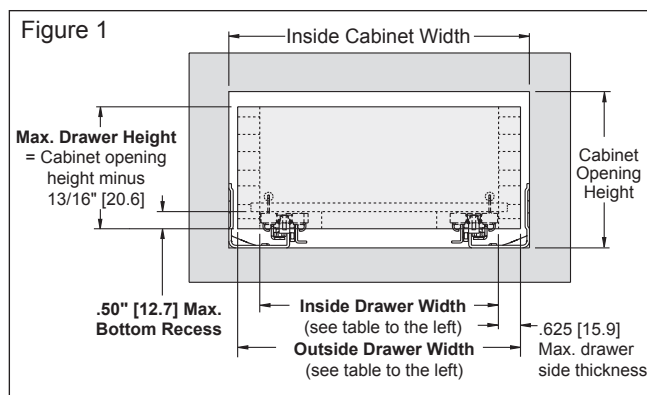
NOTE: Both handles must be flush (parallel) to the bottom surface of the drawer box.

Alternative Disconnect Lever Mounting (Vertical)

FIGURE 5a

For drawers with bottom panels flush to the drawer subfront, an optional vertical mount disconnect lever is available. Order the slides in bulk packaging and order the vertical mount disconnect levers separately. See ordering information for details.

‡ **NOTE:** An optional drill jig can be used to mark the notch and pre-drill holes on the drawer.



Cabinet Member Installation

Overlay—Side-mount or Frameless

FIGURE 6

If needed, pre-drill a hole 37 mm from cabinet front. The optional drill jig† can be used to pre-drill this hole and/or pencil mark a line in the 37 mm location referenced from the cabinet front. For the location of additional screw holes refer to the tabulated data on the front page.

Install slides to the cabinet wall with #8 X 5/8" flat head screws. Align slide member hole shown to pre-drilled hole 37 mm from front of cabinet to ensure proper gap. A minimum of 3 screws are recommended for each side. To finalize installation, see Fig. 9 instructions.

Note: After final adjustment must have a minimum gap of .08" [2.0] between drawer and inside cabinet wall (use at least one round hole to fix slide).

Inset—Side-mount or Frameless

FIGURE 7

Align slide member hole shown from the front of cabinet for 5/8" drawer box thickness. Install slides to cabinet wall with #8 x 5/8" flat head screws. After adjustment for drawer front install at least one fixing screw into a round hole.

Overlay—Inset Face Frame

See the list of optional hardware kits on last page to select the appropriate face frame kit. Three separate kits are available to accommodate all face frame applications. Refer to the installation guide provided in each kit for mounting instructions.

Bottom Mount Bracket Option

FIGURE 8

Purchase the optional bottom mount bracket kit 4180-0569-XE (see last page). Refer to the installation guide provided in the kit for detailed mounting instructions.

Drawer Installation and Adjustments

FIGURE 9

Face Frame

For face frame mounting, pull drawer to the extended position. Adjust the rear bracket vertically and horizontally to ensure the mounted drawer is square to the cabinet and the slides are parallel to each other. Secure the rear bracket to the cabinet rear wall with additional #8 x 5/8" pan head screws.

Inset Applications

To connect the drawer to the slides, lower the drawer onto the slides and push until the levers lock onto the front of the slides. Continue to push until the drawer "ratchets" in completely. Check to ensure the rear hooks on the slide fit into the rear holes of the drawer.

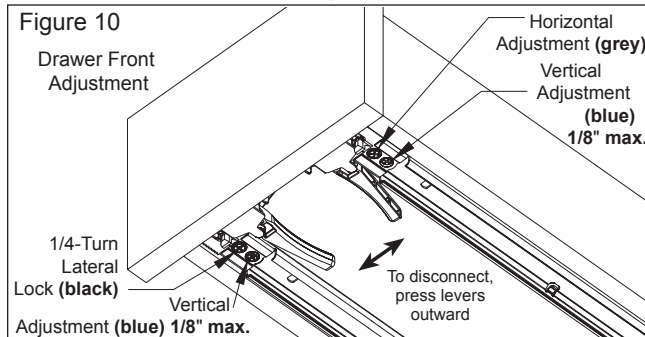
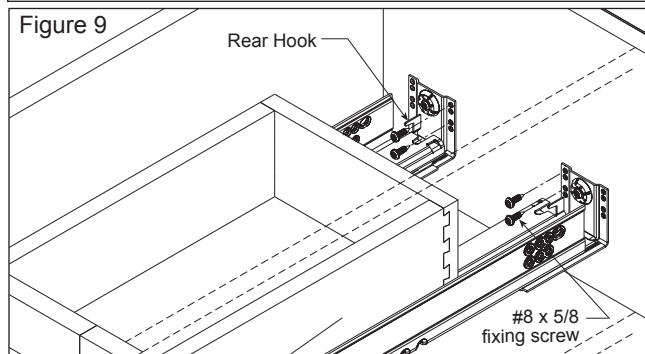
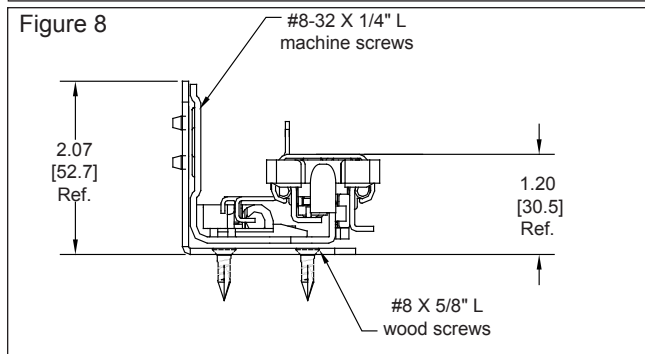
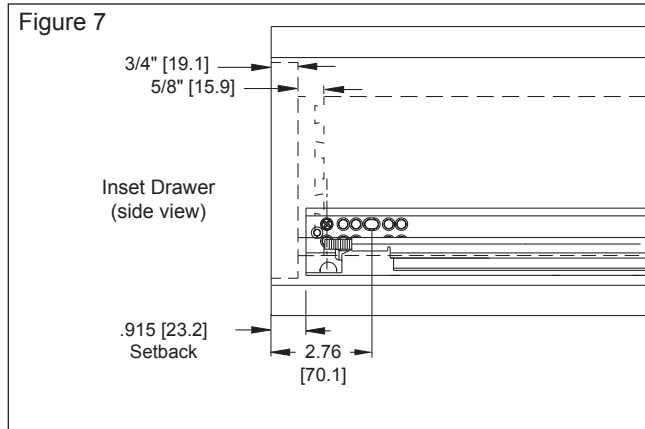
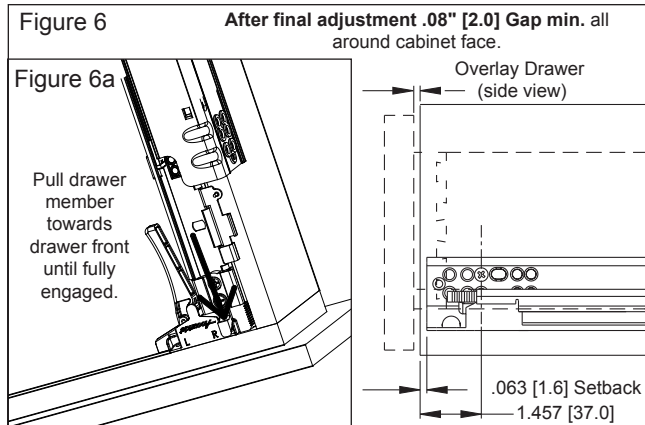
Overlay Installations

Due to the touch release feature on this product, the drawer member must be pulled forward and manually extended until the member "ratchets" to fully engage with the disconnect lever (figure 6a). Otherwise, there will be extra gap between the drawer and the cabinet wall.

FIGURE 10

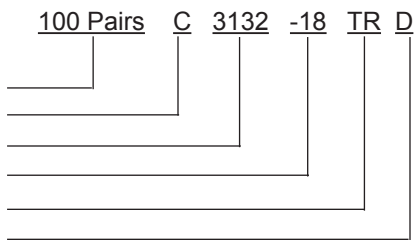
NOTE: Prior to making any drawer adjustment, loosen the black Cam lock by turning it counterclockwise 1/4 turn.

Adjust horizontal and vertical (maximum 1/8") position of drawer front by rotating the corresponding cam with a #2 Phillips or #2 pozi screwdriver. To secure drawer front position, lock the drawer position by turning the lateral cam lock clockwise 1/4-turn.



Complete your order for Accuride model 3132TR by specifying the following:

Model 3132 Touch Release
 Total Required Slides
 Slide Finish
 Model Number
 Slide Length
 Touch Release Feature
 Single Pair Packaging



Optional Hardware Kits

Rear Face Frame Bracket Kit

Face frame brackets are ordered as a kit or in bulk. To order the kit, specify part number 4180-0560-XE. Each kit contains 2 rear brackets and mounting hardware in a polybag.

To order in bulk, specify part number 4180-0618-XE. Brackets are packaged 120 each per box.

Slotted Rear Face Frame Bracket Kit

Slotted face frame brackets are ordered as a kit or in bulk. To order the kit, specify part number 4180-0656-XE. Each kit contains 2 rear brackets, 6 each #8 x 5/8" screws, and one installation sheet in a polybag.

To order in bulk, specify part number 4180-0655-XE. Brackets are packed 120 each with screws in a polybag.

Inset Face Frame Bracket Kit

Inset face frame brackets are ordered as a kit or in bulk. To order the kit, specify part number 4180-0604-XE. Each kit contains 2 inset brackets and 2 each #8-32 flat head screws in a polybag.

To order in bulk, specify part number 4180-0620-XE. Brackets are packaged 120 each per box.

Bottom Inset Face Frame Bracket Kit

Bottom inset face frame brackets are ordered as a kit. To order the kit, specify part number 4180-0605-XE. Each kit contains 2 brackets and 2 each #8-32 flat head screws in a polybag.

Bottom Mount Bracket Kit

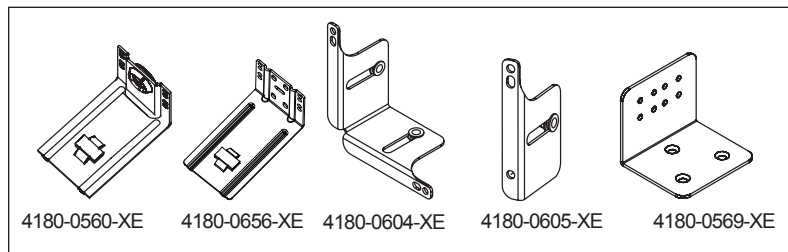
Bottom mount brackets are ordered as a kit. **Mounting screws are not included.** To order the kit, specify part number 4180-0569-XE. Each kit contains 4 bottom mount brackets, self-tapping screws, and one installation sheet.

Drill Jig (P/N 4180-0568-XE)

The jig references hole locations for the drawer hooks, disconnect levers, and front cabinet member mounting holes for face frame or 32 mm style installations.

Tool Kit (P/N 4180-0603-XE)

This kit consists of various tools to assist with drawer prep, drilling, and installation.



Distributor (D) Pack

All lengths are packaged 1 pair per box. Box includes one pair of slides with 6 ea. #8 X 5/8" Phillips flat head screws (for slides), 2 ea. standard horizontal disconnect levers, and 4 ea. #6 X 5/8" Phillips pan head screws (for levers).

Bulk (P) Pack

Lengths 12"-24" packaged 6 pair per box
 Lengths 26"-28" packaged 4 pair per box

A separate polybag containing 36 ea. #8 x 5/8" Phillips flat head screws is included. Disconnect levers and screws are ordered separately.

Disconnect Lever Packaging Options

Optional Vertical Mount Lever (P/N 4180-0584-XE)

One pair individually packaged with 4 ea. #6 x 5/8" Phillips pan head type 17s in a polybag. 60 kits per box.

Standard Horizontal Mount Lever, Individually Packaged (P/N 4180-0559-XE)

One pair individually packaged with 4 ea. #6 x 5/8" Phillips pan head type 17s in a polybag. 60 kits per box.

Standard Horizontal Mount, Bulk (P/N 4180-0587-XE)

Left hand and right hand levers are packaged separately. 60 levers per box. Each box contains 120 mounting screws in a polybag.

Specifications

- Slide Members: Cold rolled steel
- Ball Retainers: Polymer
- Ball Bearings: Carburized steel and polymer
- Rollers: Polymer

Zinc finish is RoHS compliant.

NOTE: Specifications, materials, prices, terms, and delivery are subject to change without notice.



ACCURIDE INTERNATIONAL INC.

12311 Shoemaker Avenue
 Santa Fe Springs, CA 90670

TEL (562) 903-0200

FAX (562) 903-0208

www.accuride.com

Manufacturing, Engineering, and Sales

United States • Germany • Japan • Mexico • United Kingdom • China