



Closet Solutions

MILANO



ORLANDO



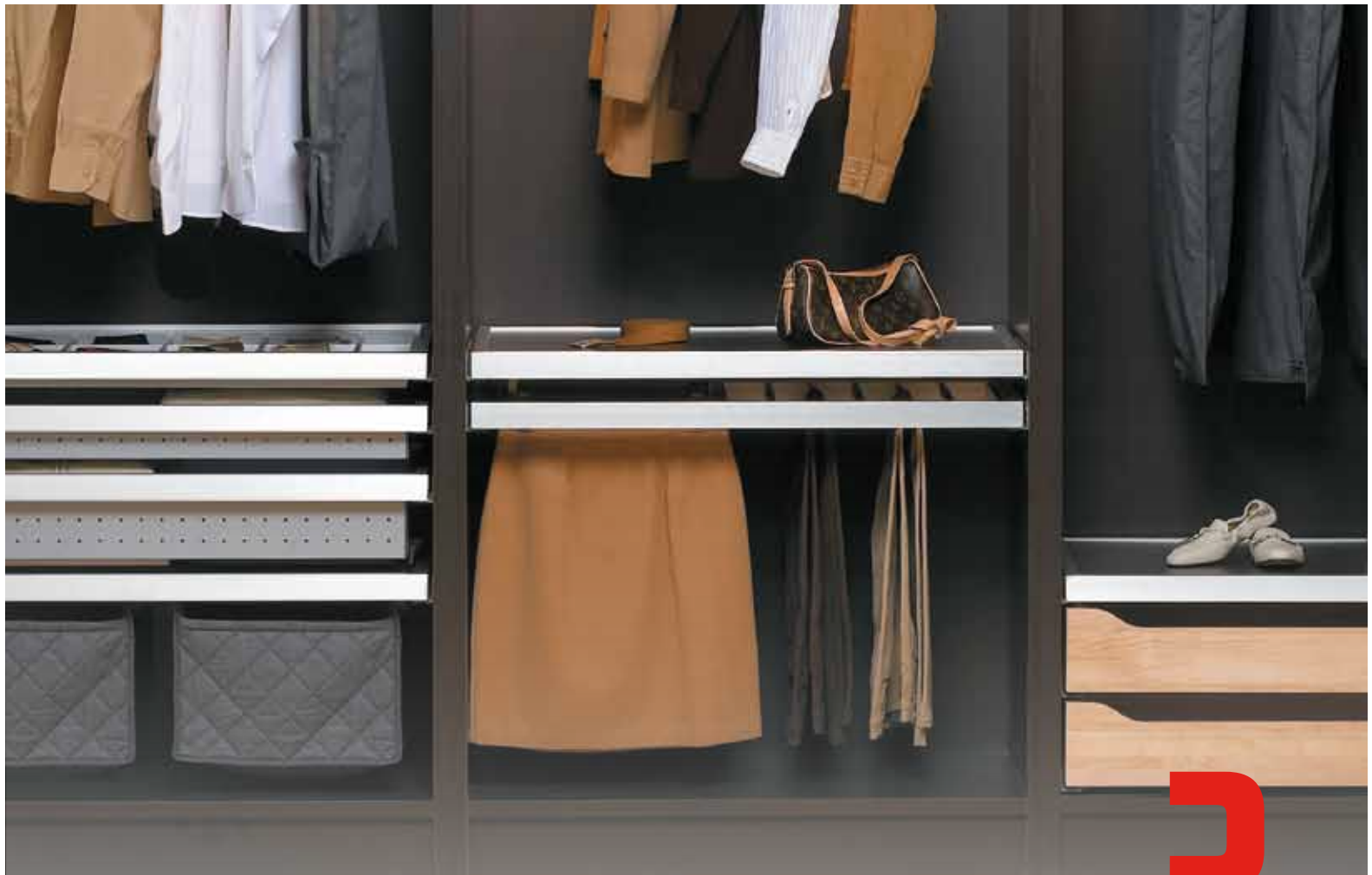
LOGO



PARETE



UNO



Richelieu

MILANO

Available in 3 finishes: aluminum, bronze and bronze-leather. The latter is a **unique product** combining a bronze-colored frame and real leather covering the front.

Aluminum, Bronze and Bronze-Leather

Milano is a range of sliding baskets with a variety of accessories (baskets, racks for pants, skirts, shoes, shirts, etc.) that let you design your perfect wardrobe, all with a unique style! The frame is equipped with full-extension slides with soft closing. Adding to the harmonious look, rods are available in colors that are identical to the baskets.



Designed for cabinets
of 30" and 36"
interior width and
21-3/4" interior depth

(metric conversion is for
informational purposes only).

For a complete set, order
a frame (slides are included)
plus the accessory (b to g)
to insert into the frame.

The dimensions given in the
tables shown here represent
the interior dimensions
required for installation.

In planning, please also
consider the space required
for the garments you will store
using these accessories (eg,
length of the skirts, shoes).



a

Frame for interior width of:
30" (762 mm) 36" (914 mm)

N° 130030010 | Aluminum N° 130036010 | Aluminum
N° 130030045 | Bronze-Leather N° 130036045 | Bronze-Leather
N° 130030135 | Bronze N° 130036135 | Bronze

Required depth: 21^{3/4}" (552 mm)



b

Set of 2 baskets
Requires a 36" (914 mm) frame
Required height: 15" (381 mm)

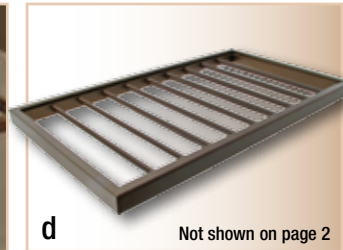
N° 130910010 | Aluminum frame, grey baskets
N° 130960135 | Bronze frame, brown baskets



c

Rack for pants and skirts 36" (914 mm)
Requires a 36" (914 mm) frame
Required height: 3" (76 mm)

N° 131036010 | Aluminum
N° 131036045 | Bronze-Leather
N° 131036135 | Bronze



d

Not shown on page 2

Pants rack 36" (914 mm)
Requires a 36" (914 mm) frame
Required height: 3" (76 mm)

N° 130136010 | Aluminum
N° 130136045 | Bronze-Leather
N° 130136135 | Bronze



e

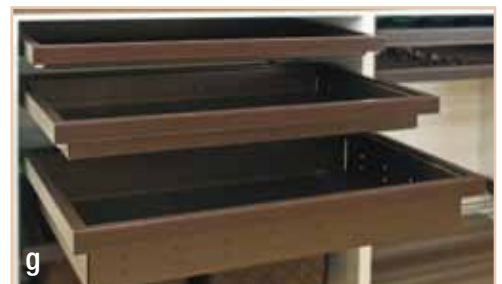
Shoe rack 36" (914 mm)
Requires a 36" (914 mm) frame
Height of all: 6" (152 mm)

N° 132036010 | Aluminum
N° 132036135 | Bronze



Wood divider for drawer N° 1304
Perfect for organizing your belts, ties and scarves

30" (762 mm) 36" (914 mm)
N° 130730010 | Grey N° 130736010 | Grey
N° 130730032 | Brown N° 130736032 | Brown



g

Pull-out metal drawer
Requires a 30" or 36" (762 ou 914 mm) frame

For a 30" (762 mm) frame For a 36" (914 mm) frame
Required height 3^{1/4}" (82 mm) Required height 3^{1/4}" (82 mm)
N° 130430010 | Aluminum N° 130436010 | Aluminum
N° 130430135 | Bronze N° 130436135 | Bronze

Required height 4" (101 mm) Required height 4" (101 mm)
N° 130530010 | Aluminum N° 130536010 | Aluminum
N° 130530135 | Bronze N° 130536135 | Bronze
Required height 6" (152 mm) Required height 6" (152 mm)
N° 130630010 | Aluminum N° 130636010 | Aluminum
N° 130630135 | Bronze N° 130636135 | Bronze



Aluminum



Bronze



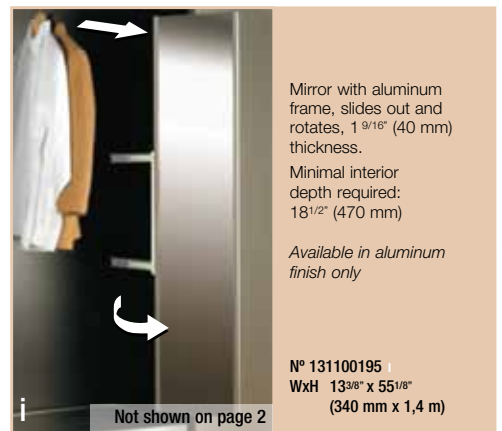
Bronze-Leather



h

Rod kit, includes rod, 2 supports and 2 screws
Installation from the top

W 28^{15/16}" (735 mm) W 35" (890 mm)
N° 132130010 | Aluminum N° 132136010 | Aluminum
N° 132230135 | Bronze N° 132236135 | Bronze



i

Not shown on page 2

Mirror with aluminum
frame, slides out and
rotates, 1^{9/16}" (40 mm)
thickness.

Minimal interior
depth required:
18^{1/2}" (470 mm)

Available in aluminum
finish only

N° 131100195
WxH 13^{3/8}" x 55^{1/8}"
(340 mm x 1,4 m)

For pictures of "b" to "g": accessory presented with the frame.
The products of bronze and bronze-leather are perfectly compatible.

* Please refer to page 22 for rod options.

MILANO

Aluminum

The aluminum color will convey an **avant-garde** style to your closet and will match both traditional and contemporary decors.

Milano Aluminum is a range of sliding baskets with a variety of accessories (baskets, racks for pants, skirts, shoes, shirts, etc.) that let you design your perfect wardrobe, all with a unique style! The slides (not included) are the partial-extension type with soft closing. In addition, the sliding and pivoting mirror slips quickly inside the cabinet after use.



Designed for
cabinets of
900 mm interior
width and 525 mm
interior depth

(imperial conversion is for
informational purposes only).

For a complete set,
order a frame
N° 130000010,
partial-extension slides
N° 130050180, plus
the accessory (b to g)
to insert into the frame.

The dimensions given
in the tables shown
here represent the
interior dimensions
required for installation.

In planning, please
also consider the space
required for the garments
you will store using
these accessories
(eg, length of
the skirts, shoes).



a

Aluminum frame for interior width of 900 mm (35 7/16")
and minimum depth of 525 mm (20 5/8")
Slide N° 130050180 (1 pair) is required

N° 130000010 | WxDxH 882 x 505 x 43 mm (34 3/4" x 19 7/8" x 1 11/16")



b

Fabric basket, grey, set of 2
Frame N° 130000010 and slide N° 130050180 are required
Required height: 381 mm (15")

N° 130900100 | WxDxH 440 x 408 x 300 mm (17 5/16" x 16 1/16" x 11 13/16")



c

Aluminum rack for pants and skirts
Frame N° 130000010 and slide N° 130050180 are required
Required height: 76 mm (3")

N° 131000010 | WxDxH 817 x 440 x 20 mm (32 3/16" x 17 5/16" x 13/16")



d

Aluminum rack for pants
Frame N° 130000010 and slide N° 130050180 are required
Required height: 76 mm (3")

N° 130100010 | WxDxH 817 x 440 x 20 mm (32 3/16" x 17 5/16" x 13/16")

Not shown on page 4



e

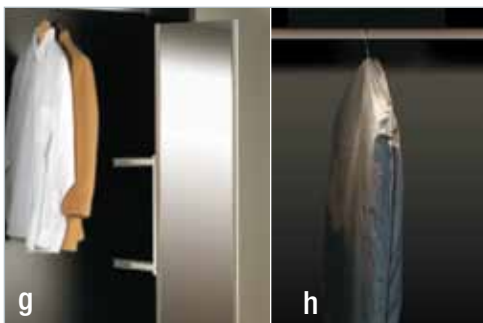
Metal drawers
Frame N° 130000010 and slide N° 130050180 are required
Required height 82 mm (3 1/4") N° 130400010 | Aluminum
Required height 101 mm (4") N° 130500010 | Aluminum
Required height 152 mm (6") N° 130600010 | Aluminum



f

Wood partitions for drawer N° 130400010
Perfect for organizing your belts, ties and scarves

N° 130700000 | Grey



g

Mirror with aluminum frame, slides
out and rotates, 40 mm (1 9/16")
thickness. Minimal interior depth
required: 470 mm (18 1/2")

N° 131100195 | WxH 340 mm x 1,40 m
(13 3/8" x 55 1/8")



h

Garment bag, grey

N° 131600100



i

Drawers available in maple, nordic birch, birch, cherry,
red oak, black walnut

Special order: please visit our web site

For pictures of "b" to "f": accessory presented with the frame.

* Please refer to page 22 for rod options.

ORLANDO

A range of closet accessories in aluminum which allows you to cover all your storage and organization needs. The **perfect, functional** solution!

With its sliding baskets in different widths and heights, jewelry drawers, laundry baskets, retractable rod... this series is one of the most comprehensive on the market. The pull-out baskets are equipped with full-extension slides, to allow complete and ergonomic access to your items.



Designed for cabinets of 18", 24" and 30" interior width and 14" interior depth

(metric conversion is for informational purposes only).

It is recommended to use the *Orlando* collection with doorless cabinets.

All products are delivered **complete** and ready to install (frame, slides, baskets, etc. are included).

The dimensions indicated are installation dimensions (the product can exceed on the front of the cabinet due to the handle).



a

Pull-out metal basket

N° 141318106	WxDxH 18" x 14" x 5 ^{5/8} " (457 x 356 x 143 mm)
N° 141324106	WxDxH 24" x 14" x 5 ^{5/8} " (610 x 356 x 143 mm)
N° 141330106	WxDxH 30" x 14" x 5 ^{5/8} " (762 x 356 x 143 mm)
N° 141618106	WxDxH 18" x 14" x 10" (457 x 356 x 254 mm)
N° 141624106	WxDxH 24" x 14" x 10" (610 x 356 x 254 mm)
N° 141630106	WxDxH 30" x 14" x 10" (762 x 356 x 254 mm)



b

Pull-out fabric basket

N° 142518034	WxDxH 18" x 14" x 11" (457 x 356 x 279 mm)
N° 142524034	WxDxH 24" x 14" x 11" (610 x 356 x 279 mm)
N° 142530034	WxDxH 30" x 14" x 11" (762 x 356 x 279 mm)
N° 145124034	WxDxH 24" x 14" x 19" (610 x 356 x 482 mm)
N° 145130034	WxDxH 30" x 14" x 19" (762 x 356 x 482 mm)



c

Pull-out rack for pants and skirts, aluminium finish

N° 145518106	WxDxH 18" x 14" x 2" (457 x 356 x 51 mm)
N° 145524106	WxDxH 24" x 14" x 2" (610 x 356 x 51 mm)
N° 145530106	WxDxH 30" x 14" x 2" (762 x 356 x 51 mm)



d

Pull-out jewel compartment, wood and velvet with a walnut and grey finish

N° 146218100	WxDxH 18" x 14" x 2 ^{1/4} " (457 x 356 x 57 mm)
N° 146224100	WxDxH 24" x 14" x 2 ^{1/4} " (610 x 356 x 57 mm)
N° 146230100	WxDxH 30" x 14" x 2 ^{1/4} " (762 x 356 x 57 mm)



e

Pull-out shoe rack, silver finish

N° 144524106	WxDxH 24" x 14" x 6 ^{5/8} " (610 x 356 x 168 mm)
N° 144530106	WxDxH 30" x 14" x 6 ^{5/8} " (762 x 356 x 168 mm)



f

Pull-out lift c/w hydraulic spring, aluminum

N° 1111106	W 17 ^{3/4} " to 23 ^{5/8} " (450 to 600 mm), cap. of 17,6 lb (8 kg)
N° 1122106	W 23 ^{5/8} " to 32 ^{11/16} " (600 to 830 mm), cap. of 22 lb (10 kg)
N° 1133106	W 32 ^{11/16} " to 45 ^{1/4} " (830 mm to 1,15 m), cap. of 26 lb (12 kg)



g

Not shown on page 6

Pull-out hanger support, extends to 9^{1/2}" (240 mm), aluminium finish

N° 1166010	D 14" (356 mm)
------------	----------------



h

Not shown on page 6

Pull-out hanger support, aluminium finish

N° 1491010	D 14" (356 mm)
------------	----------------



i

Not shown on page 6

Rack for 6 belts, aluminium finish

N° 1408310	D 14" (356 mm)
------------	----------------



j

Not shown on page 6

Rack for 6 scarves, aluminium finish

N° 1408510	D 14" (356 mm)
------------	----------------



k

Not shown on page 6

Rack for 18 ties, aluminium finish

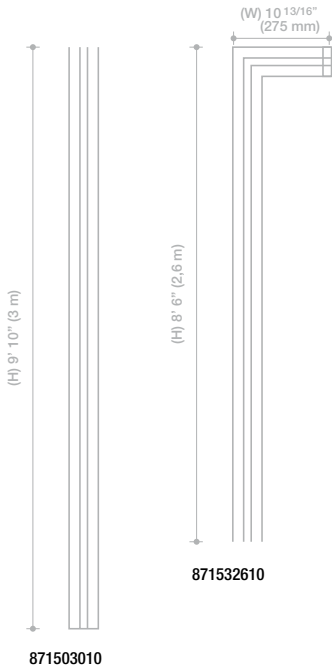
N° 1408110	D 14" (356 mm)
------------	----------------

★ Please refer to pages 16 to 22 for accessories, supports and rods.



a Adjustable lever, aluminum finish
 ØxH 2^{3/8}" x 2^{3/16}" (60 x 55 mm)
 Included with N° 871503010 and N° 871532610 extrusions

b Wall and ceiling connector, aluminum finish
 WxD 1" x 2^{3/16}" (25 x 55 mm)



871503010

871532610

The aluminum profiles can be recut to size. The wooden or glass shelves and the drawer boxes are to be manufactured by the customer.



c Not shown on page 8

Aluminum extrusion, straight
 Connector and lever included

N° 871503010 | WxDxH 1" x 2^{3/16}" x 118" (25 x 55 mm x 3 m)



d

Aluminum extrusion, 90 degrees
 Connector and lever included

N° 871532610 | WxDxH 10^{13/16}" x 2^{3/16}" x 102^{3/8}" (275 x 55 mm x 2,6 m)



e Wood shelf support with adjustable angle, aluminum finish

N° 715450010 | W 7^{9/16}" (192 mm)



f Support for oval rods, aluminum finish
 N° 715915180 | WxH 1^{13/16}" x 1^{7/8}" (46 x 48 mm)

Ridged oval rod, aluminum finish
 N° D030201210 | W 144" (3,7 m)



g Cabinet support, aluminum finish

N° 715840180 | WxDxH 1^{5/8}" x 2^{13/16}" x 2^{3/16}" (42 x 55 x 68 mm)



h Glass shelf support, aluminum finish

N° 64019210 | W 7^{9/16}" (192 mm)

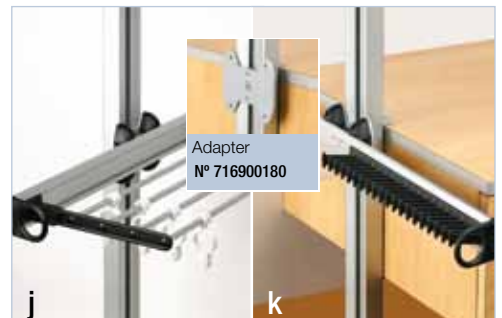


Pull-out wardrobe lift adapter
 N° 716800180



i Pull-out wardrobe lift, black and aluminum

N° 6008390 | Adjustable in width from 23^{5/8}" - 32^{11/16}" (600 - 830 mm)
 capacity: 22 lb (10 kg)
 N° 8311590 | Adjustable in width from 32^{11/16}" - 45^{1/4}" (830 mm - 1,15 m)
 capacity: 22 lb (10 kg)



j Pull-out folding rack for skirts, black and aluminum

N° 1655090 | W 18^{7/8}" (480 mm)

k Tie rack and storage, black and aluminum

N° 1645090 | W 18^{7/8}" (480 mm)

★ Please refer to pages 16 to 22 for accessories, supports and rods.

PARETE

Wall storage versatile system made of aluminium, easy to install.
Perfect for residential or commercial applications



a
Aluminum shelf, satin finish

N° 6200416045010 | WxDxH 17^{3/4"} x 6^{5/8"} x 3^{3/16"} (450 x 160 x 80 mm)
N° 6201716060010 | WxDxH 23^{5/8"} x 6^{5/8"} x 3^{3/16"} (600 x 160 x 80 mm)
N° 6200530045010 | WxDxH 17^{3/4"} x 11^{13/16"} x 3^{3/16"} (450 x 300 x 80 mm)
N° 6201830060010 | WxDxH 23^{5/8"} x 11^{13/16"} x 3^{3/16"} (600 x 300 x 80 mm)



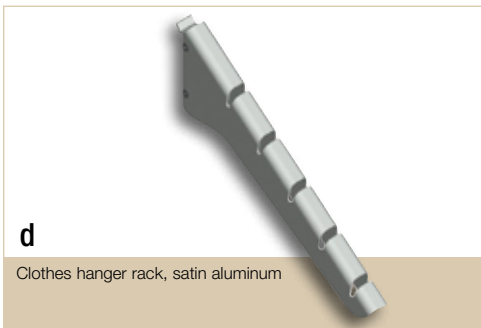
b
Support for wood shelf (shelf not included), satin aluminum

N° 6200816045010 | WxDxH 17^{3/4"} x 6^{5/8"} x 3^{3/16"} (450 x 160 x 80 mm)
N° 6202030060010 | WxDxH 23^{5/8"} x 6^{5/8"} x 3^{3/16"} (600 x 160 x 80 mm)
N° 6200916045010 | WxDxH 17^{3/4"} x 11^{13/16"} x 3^{3/16"} (450 x 300 x 80 mm)
N° 6202130060010 | WxDxH 23^{5/8"} x 11^{13/16"} x 3^{3/16"} (600 x 300 x 80 mm)



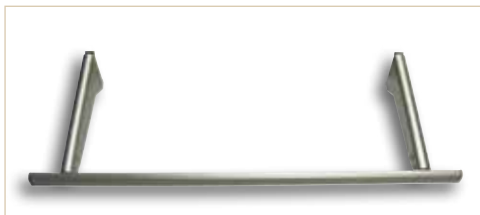
c
Support for glass shelf (shelf not included), satin aluminum

N° 6201016045010 | WxDxH 17^{3/4"} x 6^{5/8"} x 3^{3/16"} (450 x 160 x 80 mm)
N° 6202230060010 | WxDxH 23^{5/8"} x 11^{13/16"} x 3^{3/16"} (600 x 300 x 80 mm)



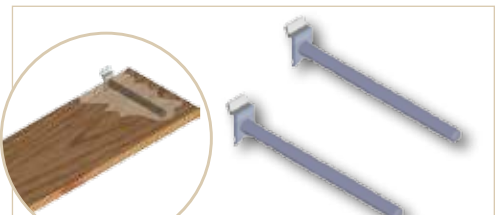
d
Clothes hanger rack, satin aluminum

N° 6200621024010 | DxH 9^{7/16"} x 8^{1/4"} (240 x 210 mm)



e
Hanger support, satin aluminum

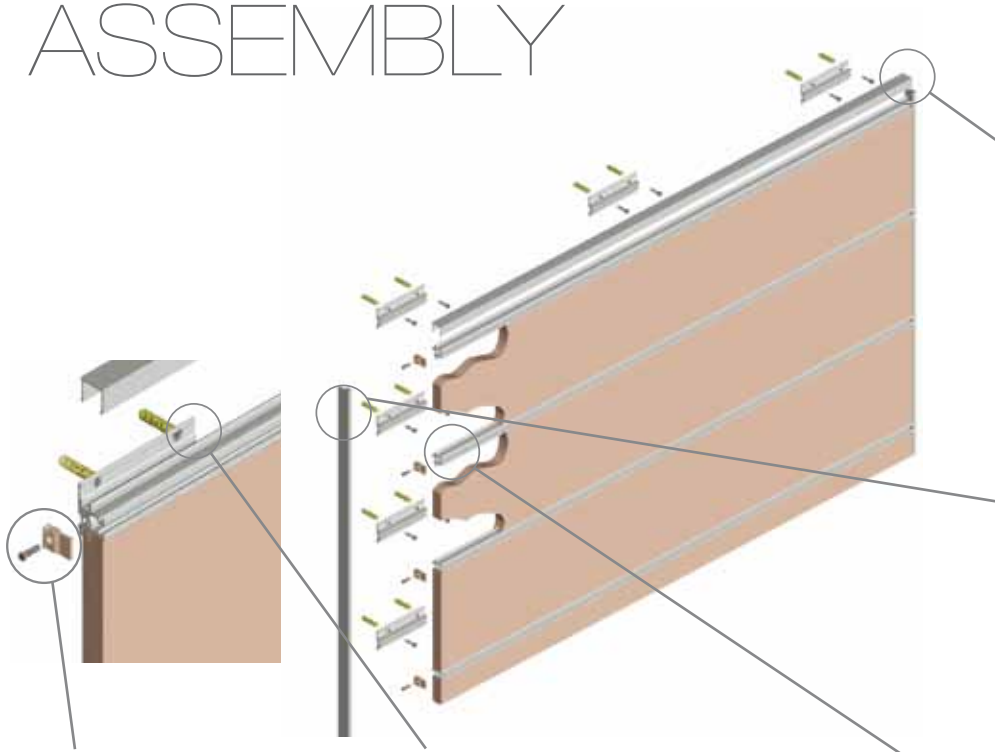

N° 6200126070010 | WxDxH 27^{9/16"} x 10^{1/4"} x 3^{3/8"} (700 x 260 x 85 mm)
capacity: 33 lb (15 kg)



f
Hidden support for wood shelf (one pair), (shelf not included), satin aluminum
Drilling: Ø 11 mm

N° 6201612010 | W 4^{3/4"} (120 mm), capacity: 16,5 lb (7,5 kg)


ASSEMBLY

g
Aluminum profile - upper finishing rail
The finishing touch for wall panels
N° 62218310 | WxD 118" x 13/16" (3 m x 20 mm)



h
Lateral finishing molding, satin aluminum
Surface installation one or two visible sides
N° 6221910010 and N° 620504341 are required
N° 62080310 | WxDxH 118" x 7/8" x 1 1/16" x (3 m x 23 x 27 mm)





j
Support bracket for finishing molding
N° 62220310 and N° 62080310 are required
N° 620504341



k
Wall support profile, aluminum
N° 62220310 is required
N° 6221910010 | LxH 3 15/16" x 1 9/16" (100 x 40 mm)

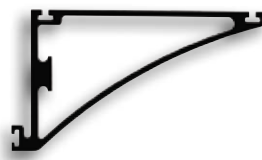


i
Horizontal profile, satin aluminum
N° 6221910010 and N° 620504341 are required
N° 62220310 | WxH 118" x 1 1/16" x (3 m x 27 mm)





l
Wall surface support profile, satin aluminum
Surface mounting on wall and furniture
N° 62383310 | W 118" (3 m)
N° 62050474210 | Finishing cap for surface mounted rail (not shown)

The aluminum profiles can be recut to size.
The wooden or glass shelves and the drawer boxes are to be manufactured by the customer.



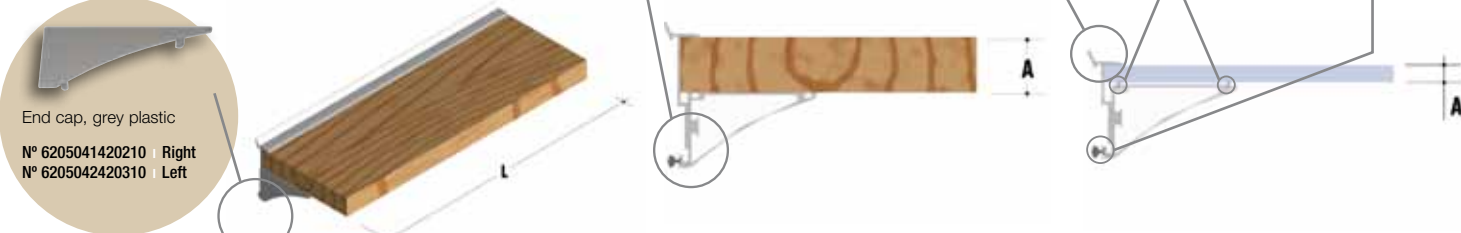
m
Adjustable support bracket for wood or glass shelves (shelves not included), satin aluminum
N° 620771210 or N° 620751210, N° 6205041420210, N° 6205042420310 and N° 6220008390 are required
N° 620731210 | WxDxH 47 1/4" x 3" x 1 5/8" (1,2 m x 76 x 41 mm)



n
Top adjustable bracket for shelf supports (shelves not included), satin aluminum
Glass N° 620771210 | WxH 47 1/4" x 1 13/16" (1,2 m x 47 mm)
Wood N° 620751210 | WxH 47 1/4" x 2 1/2" (1,2 m x 63 mm)



o
Protection strip for glass shelves, black rubber
N° 6220016390 | W 118" (3 m)
Bumpon gasket to install between shelf and rear wall, black rubber
N° 6220008390 | W 118" (3 m)



End cap, grey plastic
N° 6205041420210 | Right
N° 6205042420310 | Left

Dimensions are provided for informational purposes only. Please visit our web site for installation dimensions.

UNO

Affordable convenience.

This great looking, functional system will suit any budget

UNO is a system of pull out accessory drawers mounted on ball bearing slides. The full range of accessories includes pull out pants, shoes and storage drawers in wire, rattan and wood for 600 mm, 800 mm and 900 mm wide cabinets. Drawer units are complete and ready to install.



Designed for cabinets of 564 mm, 764 mm and 864 mm interior width and 515 mm interior depth

(imperial conversion is for informational purposes only).

Each basket can be adjusted up to 5 mm on each side, and can be used in cabinets of 600 mm, 800 mm and 900 mm in exterior width, with a panel thickness of 16 mm or 19 mm.

The dimensions given in the tables shown here represent the interior dimensions required for installation. In planning, please also consider the space required for the garments you will store using these accessories (eg, length of the skirts, shoes).



a

Pull-out wardrobe lift
For an interior width of:
N° 93805110 | 562 to 768 mm (22¹/₈" to 30¹/₄"),
Capacity: 7 kg (15.4 lb)
N° 93805210 | 762 to 1068 mm (30¹/₄" to 42"),
Capacity: 12 kg (26.4 lb)



b

Pull-out hanger support, ball-bearing slides (partial extension), aluminum finish

N° 93800110 | WxDxH 80 x 470 x 123 mm (3¹/₈" x 18¹/₂" x 4¹³/₁₆")



c

Pull-out aluminum wire drawer, on ball-bearing slides, partial extension of 360 mm (14³/₁₆")

N° 93806010 | WxDxH 564 x 510 x 156 mm (22³/₁₆" x 20¹/₁₆" x 6¹/₈")
N° 93808010 | WxDxH 764 x 510 x 156 mm (30¹/₁₆" x 20¹/₁₆" x 6¹/₈")
N° 93809010 | WxDxH 864 x 510 x 156 mm (34" x 20¹/₁₆" x 6¹/₈")



d

Pull-out aluminum wire drawer for shoes, ball-bearing slides, partial extension of 360 mm (14³/₁₆")

N° 93856010 | WxDxH 564 x 510 x 211 mm (22³/₁₆" x 20¹/₁₆" x 8⁵/₁₆")
N° 93858010 | WxDxH 764 x 510 x 211 mm (30¹/₁₆" x 20¹/₁₆" x 8⁵/₁₆")
N° 93859010 | WxDxH 864 x 510 x 211 mm (34" x 20¹/₁₆" x 8⁵/₁₆")



e

Pull-out aluminum clothes rack, ball-bearing slides, partial extension of 360 mm (14³/₁₆")

N° 93826010 | WxDxH 564 x 510 x 87 mm (22³/₁₆" x 20¹/₁₆" x 3⁷/₁₆")
N° 93828010 | WxDxH 764 x 510 x 87 mm (30¹/₁₆" x 20¹/₁₆" x 3⁷/₁₆")
N° 93829010 | WxDxH 864 x 510 x 87 mm (34" x 20¹/₁₆" x 3⁷/₁₆")



f

Pull-out rattan basket, aluminum frame, ball-bearing slides, partial extension of 360 mm (14³/₁₆")

N° 93806000 | WxDxH 564 x 510 x 222 mm (22³/₁₆" x 20¹/₁₆" x 8³/₄")
N° 93808000 | WxDxH 764 x 510 x 222 mm (30¹/₁₆" x 20¹/₁₆" x 8³/₄")
N° 93809000 | WxDxH 864 x 510 x 222 mm (34" x 20¹/₁₆" x 8³/₄")



g

Painted MDF drawer on pull-out aluminum frame, ball-bearing slides, partial extension of 360 mm (14³/₁₆")

N° 93860002 | WxDxH 564 x 510 x 156 mm (22³/₁₆" x 20¹/₁₆" x 6¹/₈")
N° 93880002 | WxDxH 764 x 510 x 156 mm (30¹/₁₆" x 20¹/₁₆" x 6¹/₈")
N° 93890002 | WxDxH 864 x 510 x 156 mm (34" x 20¹/₁₆" x 6¹/₈")



h

Pull-out tie and belt rack, black

N° 93831190 | WxDxH 90 x 508 x 87 mm (3⁹/₁₆" x 20" x 3⁷/₁₆")

i

Pull-out storage, black

N° 93831590 | WxDxH 130 x 508 x 87 mm (5¹/₈" x 20" x 3⁷/₁₆")

* Please refer to pages 16 to 22 for accessories, supports and rods.

Dimensions are provided for informational purposes only. Please visit our web site for installation dimensions.

PRACTICAL

Customize your closet organization, fabricating your own drawers and shelves using our vast collection of accessories.





Slide rail, steel
 N° 875230 · 98" (2,5 m)
 Slide cover, white
 N° 883230 · 78^{3/4}" (2 m)
 Wall-mounted slide support,
 white
 N° 8041630



C

d



a

Pull-out shelves and slides not included

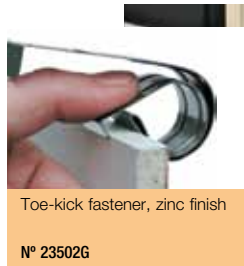
1. Cut to size cross divider gallery for pull-out shelves, grey
 N° ZRG1000U10 · W 39^{3/8}" (1 m), tube
 N° ZTU00Z0100 · H 3^{1/4}" (83 mm), double corner
 N° ZTU00D0100 · H 5^{1/4}" (133 mm), triple corner

2. Cut to size cross divider gallery pull-out shelves,
 cream white
 N° ZRG1000U34 · W 39^{3/8}" (1 m), tube
 N° ZTU00Z034 · H 3^{1/4}" (83 mm), double corner
 N° ZTU00D034 · H 5^{1/4}" (133 mm), triple corner

3. PVC slide extension for pull-out shelves, white
 N° 60314030 · W 96" (2,4 m), side extension
 N° 6085130 · H 4^{5/16}" (110 mm), double reversible corner

4. Metal slide extension for pull-out shelves, white
 N° 830130 · WxH 83"x4^{3/4}" (2,1 m x 120 mm), metal extrusion
 N° 830230 · WxH 83"x6^{3/16}" (2,1 m x 160 mm), metal extrusion
 N° 001730 · Plastic corner
 N° 000230 · Screw-in attachments

Shelf slides (one pair), white
 N° 10235030 · W 13^{3/4}" (350 mm)
 N° 10240030 · W 15^{3/4}" (400 mm)
 N° 10245030 · W 17^{11/16}" (450 mm)
 N° 10250030 · W 19^{11/16}" (500 mm)
 N° 10255030 · W 21^{5/8}" (550 mm)



Toe-kick fastener, zinc finish
 N° 23502G

d

Cabinet leveler with head, black

N° 4501090 · H 4" (100 mm)
 N° 4501590 · H 6" (150 mm)



b

Slide options

Upper drawer: metal box system

Lower drawer: full-extension ball-bearing slides

Consult our closet selection section on our web site to see our complete range of slide solutions.



c

Tip-out clothes hamper, chrome

N° 4056140 · WxDxH 9^{3/8}"x11^{1/4}"x16^{9/16}" (238 x 285 mm x 4,8 m)
 N° 4058140 · Support for clothes hamper



e

Adjustable shoe rack, black

N° 561001800 · DxH 8^{11/16}" x 4" (221 x 100 mm),
 adjustable width from 22" - 39^{3/8}" (560 mm - 1 m)

* Please refer to pages 16 to 22 for accessories, supports and rods.

ACCESSORIES



Pull-out wardrobe lift, aluminum and black

N° 65115180 | WxH : 25^{9/16"} - 45^{1/4"} (650 mm - 1,2 m) x 34^{5/8"} (880 mm),
capacity: 11 lb (5 kg)



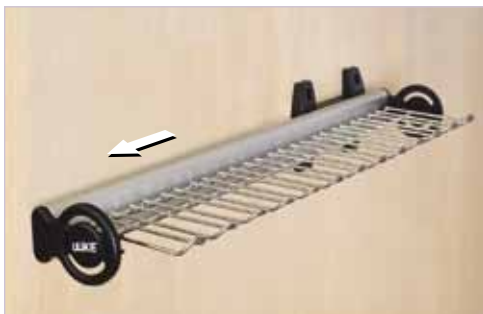
Pull-out wardrobe lift with smooth damping action, aluminum and black

N° 93805110 | W 23^{5/8"} - 31^{1/2"} (600 - 800 mm),
capacity: 15,4 lb (7 kg)
N° 93805210 | W 31^{1/2"} - 43^{5/16"} (800 mm - 1,1 m),
capacity: 26,4 lb (12 kg)



Pull-out wire belt and tie rack, ball-bearing slide, aluminum

N° 93800210 | WxDxH 7^{9/16"} x 18^{1/2"} x 4^{13/16"} (192 x 470 x 123 mm)



Pull-out wire belt and tie rack, ball-bearing slide, aluminum

N° 93803510 | WxDxH 5^{1/2"} x 20" x 3^{7/16"} (140 x 508 x 87 mm)



Pull-out belt and tie rack, ball-bearing slide, black

N° 93831190 | WxDxH 3^{9/16"} x 20" x 3^{7/16"} (90 x 508 x 87 mm)



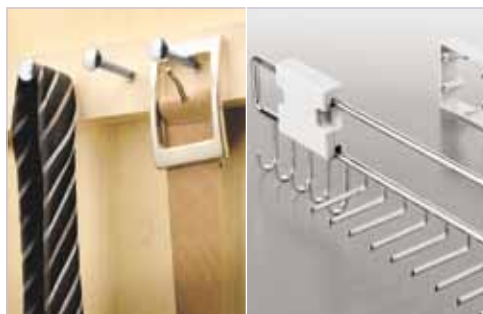
Pull-out belt and tie double rack, ball-bearing slide, black

N° 93831290 | WxDxH 4^{5/16"} x 20" x 3^{7/16"} (110 x 508 x 87 mm)



Pull-out belt rack and storage tray for small items, ball-bearing slide, black

N° 93831490 | WxDxH 5^{1/8"} x 20" x 3^{7/16"} (130 x 508 x 87 mm)



Tie rack post

ØxW 3 mm x 2" (50 mm)
N° 150010140 | Chrome
N° 150010130 | Brass
sold by the unit

Pull-out belt and tie rack, chrome

N° 4963140 | WxDxH
2^{15/16"} x 18" x 4^{5/8"}
(74 x 455 x 118 mm)



Tie and belt rack

WxH 13^{7/8"} x 1^{9/16"} (352 x 40 mm)
N° 1150030 | White
N° 1150090 | Black

Rotating tie rack, chrome

N° 5005140 | WxDxH
255 x 75 x 305 mm
(10^{1/16"} x 3" x 12")



Pull-out wire skirt and pant rack, ball-bearing slide, aluminum

N° 93800310 | WxDxH 13⁹/₁₆" x 18¹/₂" x 4¹³/₁₆" (345 x 470 x 123 mm)



Pull-out and folding wire skirt and pant rack, ball-bearing slide, aluminum

N° 93803710 | WxDxH 9¹³/₁₆" x 20" x 3⁷/₁₆" (250 x 508 x 87 mm)



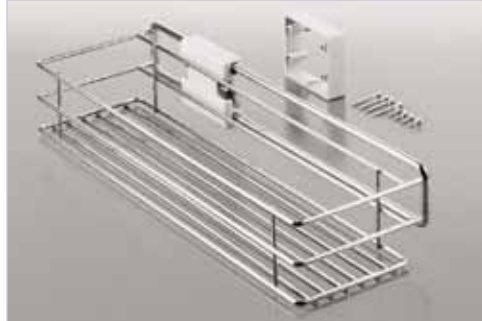
Pull-out pant rack, white

N° 93601230 | WxDxH 18⁵/₁₆" x 19⁷/₈" x 3¹⁵/₁₆" (465 x 505 x 100 mm)



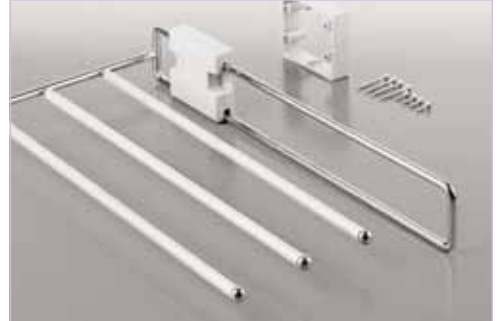
Pull-out storage trays, ball-bearing slide, black

N° 93831590 | WxDxH 5¹/₈" x 20" x 3⁷/₁₆" (130 x 508 x 87 mm)



Pull-out wire basket, chrome

N° 4960140 | WxDxH 6⁵/₁₆" x 17¹³/₁₆" x 3³/₄" (160 x 452 x 95 mm)



Pull-out wire pants rack, chrome

N° 4961140 | WxDxH 8³/₄" x 17¹⁵/₁₆" x 2¹³/₁₆" (222 x 455 x 72 mm)



Belts rack, chrome

N° 1077140 | WxDxH 2¹/₄" x 13³/₄" x 1³/₁₆" (57 x 350 x 30 mm)



Pull-out hanger support, ball-bearing slides, aluminum

N° 93800110 | WxDxH 2" x 18¹/₂" x 4¹³/₁₆" (50 x 470 x 123 mm)



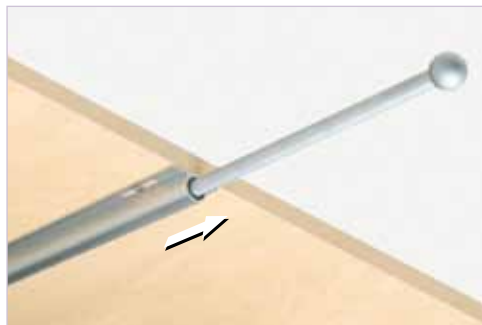
Pull-out hanger support, chrome

N° 5003140 | WxDxH 1⁹/₁₆" x 9¹/₂" x 11¹/₄" (40 x 242 x 285 mm)



Pull-out clothes rack, nickel

N°131400195 | ØxW 20 mm x 3⁹/₁₆" (90 mm)



Valet rod

W 12³/₄" (324 mm)
 N° 80PC | Chrome
 N° 80PB | Brass
 N° 80SC | Satin chrome



Rotating clothes hook, nickel

N° 131500195 | ØxW 50 mm x 4¹/₈" (105 mm)

Dimensions are provided for informational purposes only. Please visit our web site for installation dimensions.

PRACTICAL ADD-ONS



Waste bin, pedal-operated, 16 litres, stainless steel

N° 6360170 | WxDxH 17" x 11⁷/₁₆" x 18¹/₂" (430 x 290 x 470 mm)



Chrome guard for shelf

N° 8802140 WxH 13¹¹/₁₆" x 1⁹/₁₆" (348 x 39 mm)
 N° 8803140 WxH 15¹¹/₁₆" x 1⁹/₁₆" (398 x 39 mm)
 N° 8805140 WxH 21¹⁹/₁₆" x 1⁹/₁₆" (548 x 39 mm)



Adjustable shoe rack, black

N° 56100180 DxH 8¹/₁₆" x 4" (221 x 102 mm),
 width ajustable from 22" - 39³/₈" (560 mm - 1 m)



White waste bin, 5 litres

N° 350530 WxDxH 7⁷/₈" x 7⁹/₁₆" x 13³/₈" (200 x 192 x 340 mm)



Built-in, swiveling ironing board

N° E42 | WxDxH
 15" x 7⁷/₈" x 48"
 (381 x 200 mm x 1,2 m)

Wall-mounted ironing board

N° 421000 WxDxH
 15" x 3" x 48"
 381 x 76 mm x 1,2 m)



Tip-out clothes hamper, chrome

N° 4056140 WxDxH 9³/₈" x 11¹/₄" x 16⁹/₁₆" (238 x 285 x 420 mm)
 N° 4058140 Clothes hamper support



Tip-out clothes hamper, white wire

N° 006930 WxDxH 12³/₄" x 14" x 18" (324 x 355 x 457 mm)
 N° 406030 Clothes hamper support



Pull-out clothes hamper, white polymer

N° 1925530 WxDxH 19⁷/₈" x 14" x 26" (505 x 356 x 660 mm)



Pull-out clothes hamper, white polymer

N° 1520030 | WxDxH 14¹/₄" x 20" x 19¹/₄" (362 x 508 x 489 mm)



Velvet-lined jewelry tray

N° 21120190 WxDxH 22" x 12^{11/16}" x 2" (557 x 323 x 50 mm), black
 N° 21120170 WxDxH 22" x 12^{11/16}" x 2" (557 x 323 x 50 mm), blue
 N° 27120190 WxDxH 28" x 12^{11/16}" x 2" (710 x 323 x 50 mm), black
 N° 27120170 WxDxH 28" x 12^{11/16}" x 2" (710 x 323 x 50 mm), blue



Jewelry compartments

N° 11120190 WxDxH 22" x 12^{11/16}" x 2" (557 x 323 x 50 mm), acrylic and black
 N° 11120270 WxDxH 22" x 12^{11/16}" x 2" (557 x 323 x 50 mm), acrylic and blue
 N° 17120190 WxDxH 28" x 12^{11/16}" x 2" (710 x 323 x 50 mm), acrylic and black
 N° 17120270 WxDxH 28" x 12^{11/16}" x 2" (710 x 323 x 50 mm), acrylic and blue



Suspended jewelry tray

N° 21060690 WxDxH 21^{3/4}" x 6^{1/2}" x 1^{3/8}" (552 x 165 x 35 mm), acrylic and black
 N° 21060870 WxDxH 21^{3/4}" x 6^{1/2}" x 1^{3/8}" (552 x 165 x 35 mm), acrylic and blue
 N° 12060690 WxDxH 12^{11/16}" x 6^{1/2}" x 1^{3/8}" (323 x 165 x 35 mm), acrylic and black
 N° 12060870 WxDxH 12^{11/16}" x 6^{1/2}" x 1^{3/8}" (323 x 165 x 35 mm), acrylic and blue



Clip-on vertical partition for shelves, clear acrylic

N° 28120111 WxH 12"x 8" (305 x 203 mm)
 N° 25120111 WxH 12"x 5" (305 x 127 mm)
 N° 28140111 WxH 14"x 8" (356 x 203 mm)
 N° 25140111 WxH 14"x 5" (356 x 127 mm)



Drawer partition, clear acrylic

N° 14030111 WxH 14"x 3" (355 x 76 mm)
 N° 18030111 WxH 18"x 3" (457 x 76 mm)
 N° 14050111 WxH 14"x 5" (355 x 127 mm)
 N° 18050111 WxH 18"x 5" (457 x 127 mm)

Partition holders
 sold separately,
 see below

DRAWER ACCESSORIES



Partition holder for 1/4" (6 mm) panels

N° 0030130 H 3" (76 mm), white
 N° 0030160 H 3" (76 mm), brown
 N° 0050130 H 5" (127 mm), white
 N° 0050160 H 5" (127 mm), brown

Dimensions are provided for informational purposes only. Please visit our web site for installation dimensions.



Rolling and adjustable ladder, chrome finish
 N° 6225005140 Adjustable ladder 87" - 98¹/₂" (2.2 - 2.5 m)
 N° 6230007140 Adjustable ladder 98¹/₂" - 118" (2.5 - 3 m)
 N° 622000140 Rail, chrome finish 78³/₈" (1.99 m)
 N° 623000140 Rail, chrome finish 117³/₈" (2.98 m)



Library ladder*, unfinished oak H 107" (2,7 m)
 N° 2109106250 With roller bracket
 N° 2309106250 With hook fixtures
 N° 142729106 Straight support for N° 2109106250, silver finish
 N° 142730106 Curved support for N° 2109106250, silver finish
 N° 147810106 Rail 120" (3,05 m), silver finish

*various wood species available by special order



Sliding ladder, aluminum finish
 N° 711510 H 87" (2,2 m)
 N° 1265110 Aluminum rail 118" (3 m) en aluminium for N° 711510
 N° 86010 Installation kit for N° 1265110

LADDERS AND ACCESSORIES



Folding step stool
 WxH 16" x 15⁹/₁₆" (405 x 395 mm)
 N° 441230 White
 N° 4412100 Grey



a Bracket for kick plate folding step stool N° 4412-XX, zinc
 N° 144902G



b Wall support for folding step stool N° 4412-XX, blanc
 N° 1449330

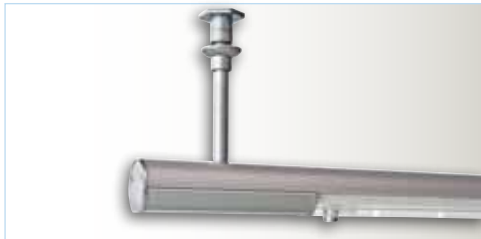


Mirror with aluminum frame, slides out and rotates, 1⁹/₁₆" (40 mm) thickness.
 Minimal interior depth required: 18¹/₂" (470 mm)
 N° 131100195 WxH 13³/₈" x 55¹/₈" (340 mm x 1,4 m)



Fluorescent closet rod, aluminum finish

- N° 43010010 Fluorescent closet rod 13W 24" (609 mm)
- N° 43015010 Fluorescent closet rod 21W 36" (914 mm)



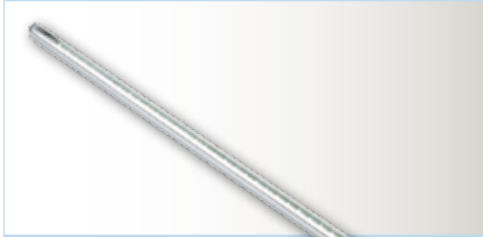
Perfecta LED closet rod, 1.2 W, silver finish.
Runs on batteries (included)

- N° 4301320 LED closet rod 22" (559 mm)
- N° 4301620 LED closet rod 34" (864 mm)



LED flexible tape light 2.8 W, 12" strip (305 mm)

- | | |
|---------------------------------|---------------------------------|
| Cold white lighting | Warm white lighting |
| N° 5012121 5' (1,5 m) max kit | N° 5012122 5' (1,5 m) max kit |
| N° 512121 12" add-on strip | N° 512122 12" add-on strip |



Stick2 miniature LED lighting with integrated connection system

Requires N° 32524

- N° 3131220108 1.6W, 8" (203 mm) warm white
- N° 3131240108 1.6W, 8" (203 mm) neutral white
- N° 3131220212 2.4W, 12" (305 mm) warm white
- N° 3131240212 2.4W, 12" (305 mm) neutral white



Invoke LED light 3W with round brushed nickel housing

Requires N° 8990

- N° 155121170 Cold white
- N° 155122170 Warm white
- N° 157121170 C/w touch on/off, cool white
- N° 157122170 C/w touch on/off, warm white



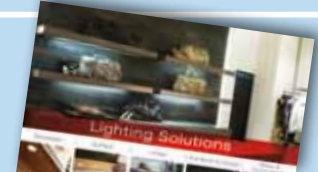
Pro LED light 3W with square brushed nickel housing

Requires N° 8990

- N° 156121170 Cold white
- N° 156122170 Warm white
- N° 158121170 C/w touch on/off, cool white
- N° 158122170 C/w touch on/off, warm white

LIGHTING

For a complete selection, please refer to our **Lighting Solutions brochure**



DOORS

Sliding door systems. Please refer to our catalog or our new brochure for more details



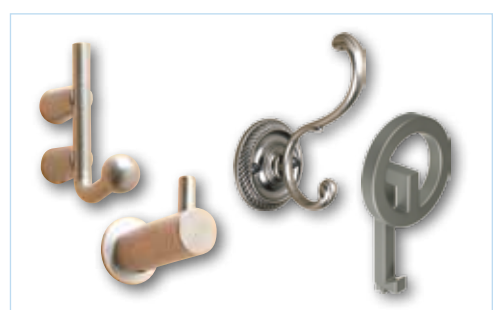
CASTERS

for a complete selection,
please refer to our
Legs and Casters brochure



HANDLES

for a complete selection,
please refer to our
Collection brochure



HOOKS

for a complete selection,
please refer to our
Collection brochure

Dimensions are provided for informational purposes only. Please visit our web site for installation dimensions.



Central support for
N° 25102010 and
N° 251020140
N° 86700010 | Aluminum
N° 86700140 | Chrome



Closed end support for
N° 25102010 and
N° 251020140
N° 85700010 | Aluminum
N° 85700140 | Chrome



Rectangular rod

WxDxH 94¹/₂" x 3/8" x 1" (2,4 m x 10 x 25 mm)
N° 25102010 | Aluminum
N° 25102140 | Chrome



Support for oval rods

N° 15103140 | Chrome



Support for oval rods

N° 16603140 | Chrome



Support for oval rods

N° 7837180 | Nickel



Oval rod

WxDxH 118" x 9/16" x 13/16"
(3 m x 15 x 30 mm)
N° 1703140 | Chrome
N° 170328180 | Nickel



SUPPORTS & RODS



Support for oval rods

N° 160A30 | White
N° 160A90 | Black



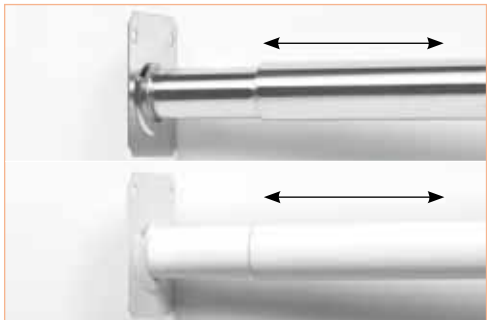
Support for oval rods

N° 83390510 | Aluminum
N° 7839185 | Dowel, satin nickel



Ridged oval rod, satin aluminum

N° D030201210 | WxDxH 144" x 9/16" x 13/16" (3,7 m x 15 x 30 mm)



Telescopic wardrobe rod

Zinc N° 18302G | 18"- 30" (457 - 762 mm)
N° 30482G | 30"- 48" (762 mm - 1,2 m)
N° 48722G | 48"- 72" (1,2 - 1,8 m)
N° 72962G | 72"- 96" (1,8 - 2,4 m)
White N° 304830 | 30"- 48" (762 mm - 1,2 m)
N° 487230 | 48"- 72" (1,2 - 1,8 m)



a

Open support for
cylindrical rod, chrome

a N° 8334140 | Ø 1¹/₁₆" (27 mm)
b N° 1223140 | Ø 1⁵/₁₆" (33 mm)



c

Closed-end support for
cylindrical rod, chrome

c N° 8332140 | Ø 1¹/₁₆" (27 mm)
d N° 1225140 | Ø 1⁵/₁₆" (33 mm)



d



Central support for
cylindrical rod, chrome

N° 37030140 | Chrome

Cylindrical metal rod, chrome

Ø 27 mm
N° 122108140 | 96" (2,4 m)
N° 122112140 | 144" (3,7 m)
Ø 33 mm
N° 122208140 | 96" (2,4 m)
N° 122212140 | 144" (3,7 m)



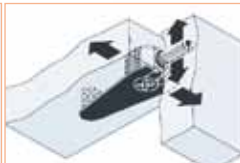
ASSEMBLY



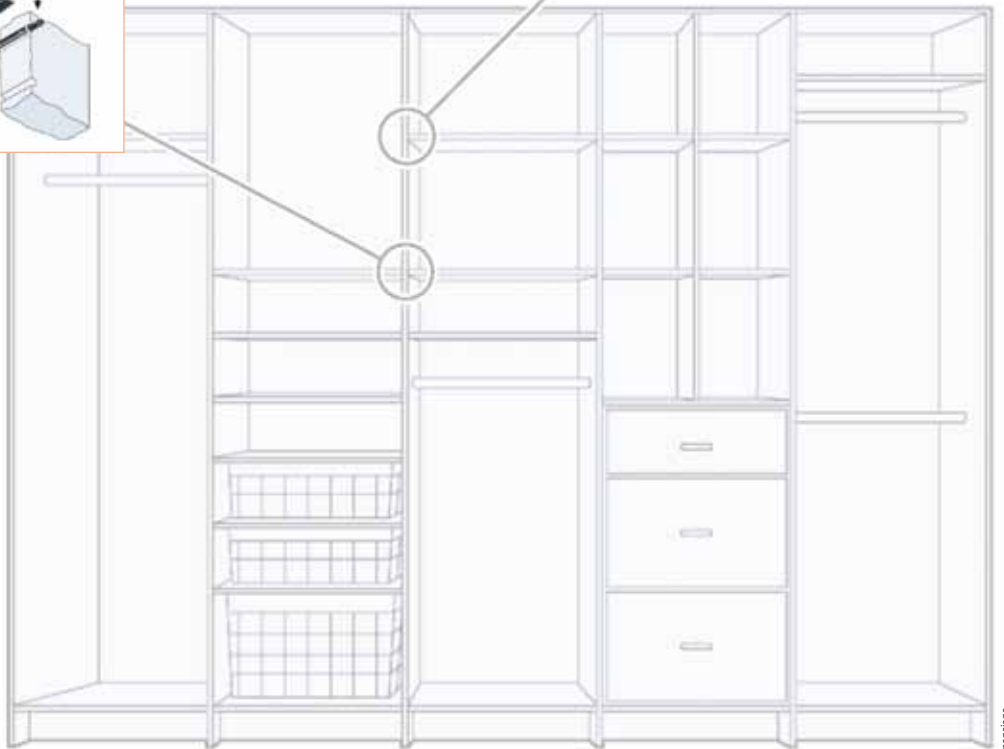
The housings are simply pressed into the material.



The dowels easily slip into the mounting holes. The operation can be repeated without damaging surfaces.



Locking the cam places pressures on the casing and the dowel, resulting in highly reliable installation.



Screw-in dowel with euro-style screw, zinc

N° 6406 · Ø 5 mm

The 'Quickfit' dowel can be inserted or removed without any tools, thereby resulting in efficient quality production.

N° 6408 · Ø 5 mm



End dowel for 5/8" (16 mm) panels

N° 6412 · Ø 5 mm

Double dowel for 5/8" (16 mm) panels

N° 6414 · Ø 5 mm



Round housings for panels:

5/8" (16 mm) N° 643130 | White

N° 643150 | Beige

N° 643190 | Black

3/4" (19 mm) N° 643330 | White

Extended housings for panels:

5/8" (16 mm) N° 643930 | White

3/4" (19 mm) N° 644130 | White

Dimensions are provided for informational purposes only. Please visit our web site for installation dimensions.



CANADA
1 800 361-6000

ALBERTA
Calgary
Edmonton

BRITISH COLUMBIA
Kelowna
Vancouver
Victoria

MANITOBA
Winnipeg

NEW BRUNSWICK
Moncton

NEWFOUNDLAND
St. John's

NOVA SCOTIA
Halifax

ONTARIO
Barrie
Kitchener
Mississauga
Ottawa
Sudbury
Thunder Bay
Toronto

QUÉBEC
Drummondville
Laval
Longueuil
Montréal
Québec

SASKATCHEWAN
Regina
Saskatoon

UNITED STATES
1 800 619-5446

CONNECTICUT
Hartford

FLORIDA
Dania Beach
Hialeah
Pompano Beach
Riviera Beach

GEORGIA
Atlanta

ILLINOIS
Chicago

KENTUCKY
Louisville

MASSACHUSETTS
Boston

MICHIGAN
Detroit

NEW JERSEY
Avenel
Lincoln Park

NEW YORK
New York
Syracuse

NORTH CAROLINA
Charlotte
High Point
Raleigh

OHIO
Cincinnati
Columbus

OREGON
Portland

SOUTH CAROLINA
Greenville

TENNESSEE
Nashville

WASHINGTON
Seattle

 **Richelieu**
richelieu.com

