

## ABS CABINET LEVELERS

- Load rating: 331 lb (150 kg) / tube
- Base diameter: 1 7/8" (48 mm)
- Finish: Black



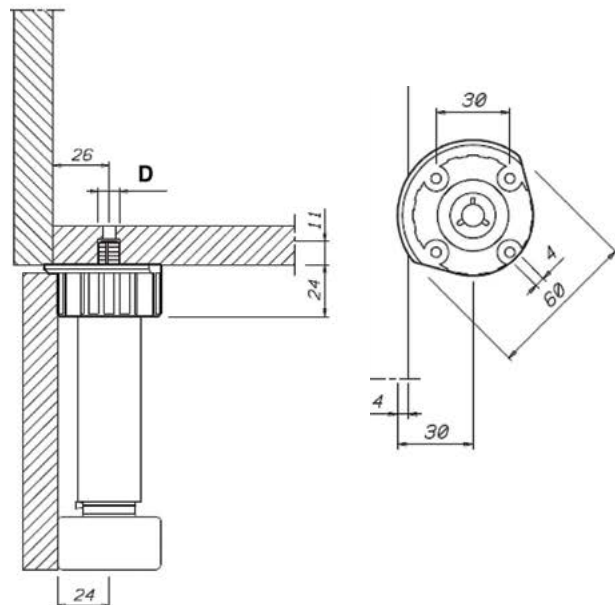
No.	Height (H)	Adjustment Range
4150990	3 1/2" (90 mm)	+ 3/4", - 3/16" (+ 20 mm, - 5 mm)
4151090	4" (100 mm)	
4151190	4 3/8" (110 mm)	
4151290	4 3/4" (120 mm)	
4151590	5 7/8" (150 mm)	
4151690	6 1/4" (160 mm)	
4151890	7 1/8" (180 mm)	
4451090	4" (100 mm)	+ 3 1/8", 0" (+ 80 mm, 0 mm)

## CABINET LEVELERS

### ABS CABINET LEG HEADS WITH DOWEL

- Load rating: 331 lb (150 kg)
- Finish: Black

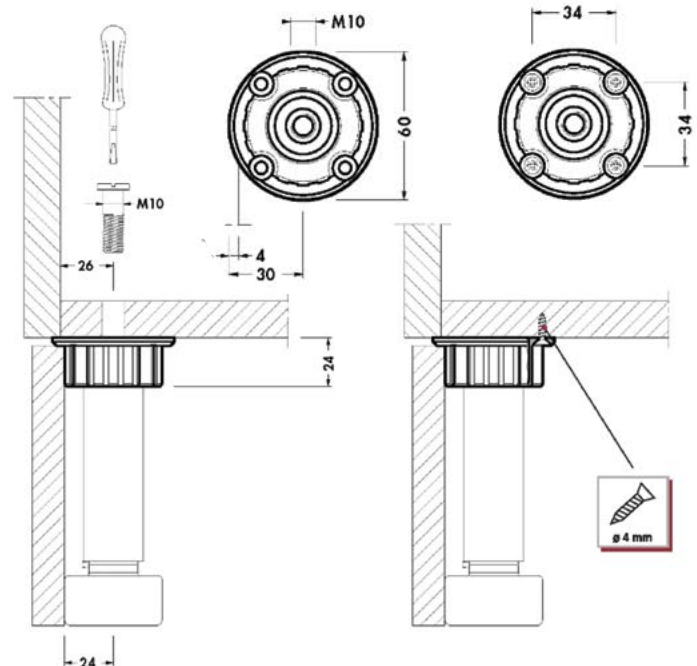
No.	Dowel Ø (D)
9411090	10 mm
9401590	15 mm



### SCREW-IN ABS CABINET LEG HEADS

- Load rating: 331 lb (150 kg)
- M10 screw recommended
- Finish: Black

No.
9410090

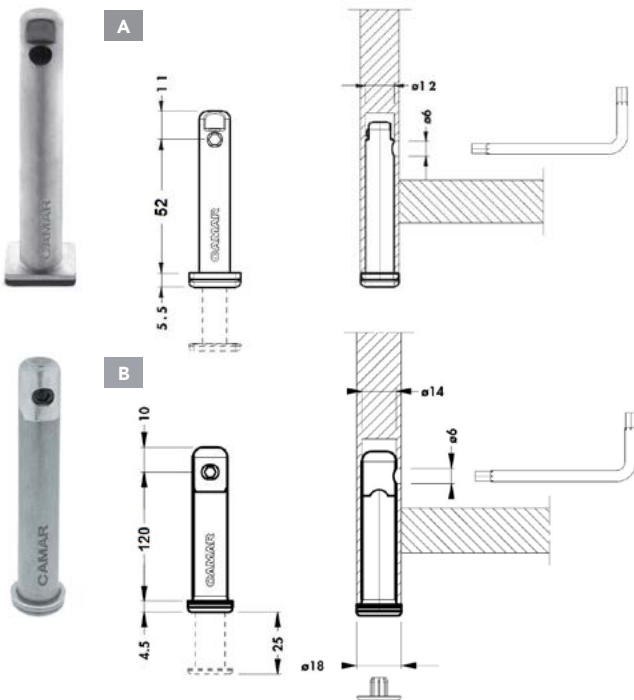


# CABINET LEVELERS

## CONCEALED LEVELERS

- These levelers are installed into the body of the side panel
- Adjustment range: 1" (25 mm)
- Finish: Zinc

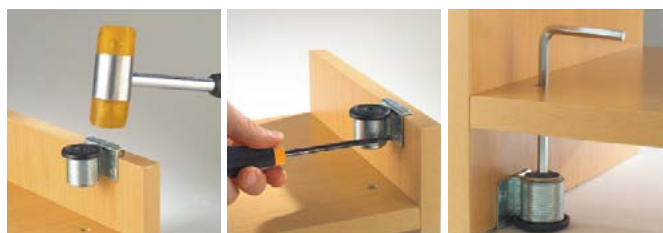
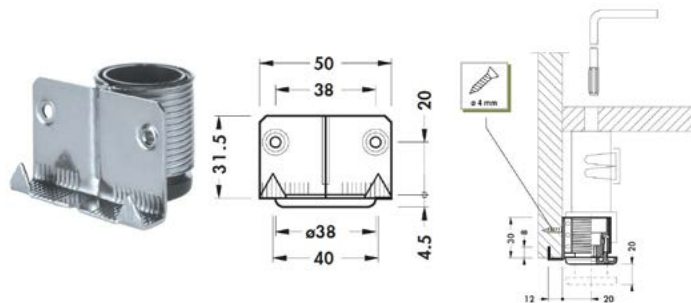
	No.	Load Rating	Overall Height	Stem Ø
A	3060502G	331 lb (150 kg)	2 5/8" (68 mm)	1/2" (12 mm)
B	306122G		5 1/4" (134 mm)	9/16" (14 mm)



## CONCEALED LEVELER

- Easy installation
- Adjustment Range: 13/16" (20 mm)
- Finish: Zinc

No.	Load Rating	Overall Height
30000190	220 lb (100 kg)	1 1/8" (30 mm)
30000090	331 lb (150 kg)	1 1/8" (30 mm)



## TOE KICK FASTENER

- Clips easily for toe kicks from 1/2" to 3/4" (12 to 19 mm) thick
- Mount to a pre-cut toe kick
- Toe kicks are easily installed or removed for cleaning or repairs
- Finish: Zinc

