



OV Series

SOFT CLOSING MECHANISM FOR OVER-THE-TOP FLIPPER DOORS

- Patented Lapcon technology offers smooth and quiet motions.
 - Doors will not slam shut.
 - Adjustable closing speed.
 - Successfully passed 30,000 open/close private cycle tests.
- Designed to operate at room temperature 0°~40°C (32°~104F°).



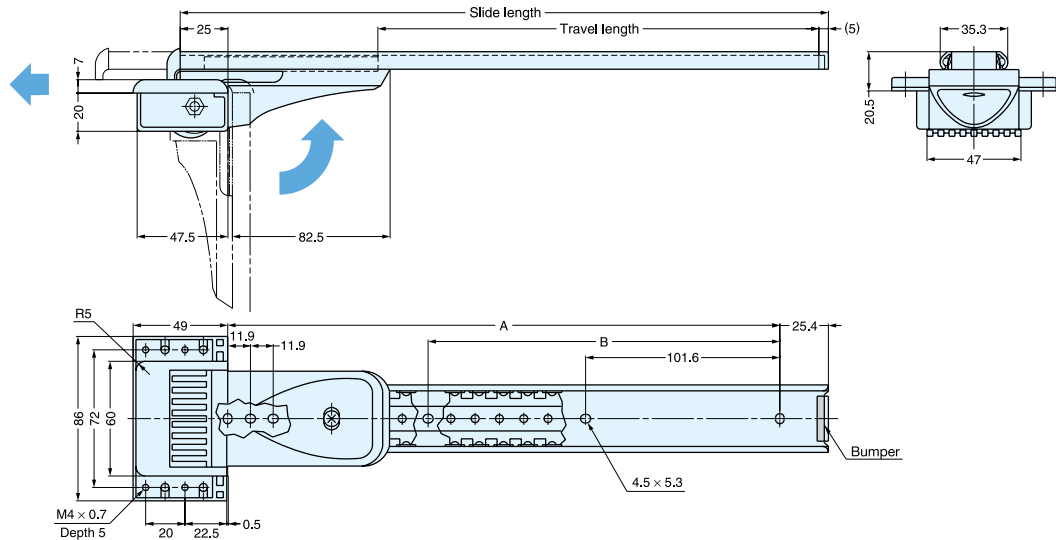
Used in pairs



Screws :

Flat Head Machine Screw (M4 × 26) *for wooden top board of 19~20 mm T - 8 pcs.
 Binding Head Machine Screw (M4 × 8) *for metal top board of 1.2~1.5 mm T - 8 pcs.
 Binding Head Tapping Screws (M4 × 10) for slides.

Note : For sheet metal cabinets, if the top board is thicker than 20 mm (25/32"), longer screws are required (top board thickness plus 6 mm). When the top board is wooden, additional screws are not needed.



Flipper Door Weight and Size

Item No	Door Weight (kg)	Torque Moment (kg·cm)	Door Thickness: T (mm)	Door Width: W (mm)	Door Height: H (mm)
	3~5 (6.6~11 lbs)	60~100 (55~85 lbs·inch)	19 (3/4") or 20 (25/32")	700~1400 (27-9/16"~55-1/8")	350~450 (13-25/32"~17-23/32")

Item No.	Slide Length	Travel Length	A	B	Weight (g)
75412G14	330.2	223.8	279.4	177.8	590 640
	355.6	249.2	304.8	203.2	610 660
	381.0	274.6	330.2	228.6	630 680
	406.4	300.0	355.6	254.0	650 700

Material	Finish/Color
Steel, Zinc Alloy, Plastic	Chromate, Black

SOFT CLOSING MECHANISM

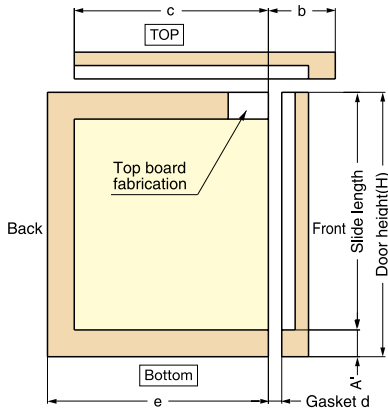
OV

LID SUPPORTS

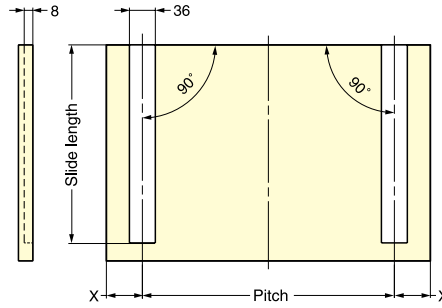
SOFT CLOSING MECHANISM FOR OVER-THE-TOP FLIPPER DOORS

■ Cabinet Preparation

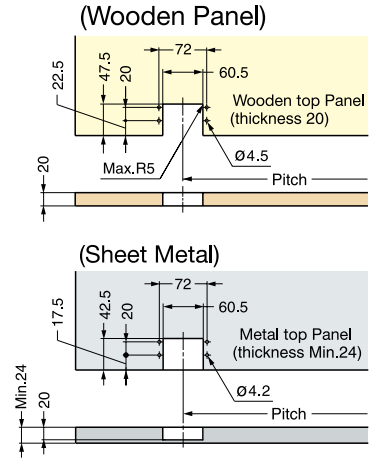
Cabinet Dimensions



Door Fabrication



Top Panel Fabrication



	b	c	d	e		X
Wooden Top Panel	A'+81.4	H-b	2.5	Min. c+7	Inset Application	80
Metal Top Panel	A'+86.4	H-b	7.5	Min. c+7	Overlay Application	Side Board Thickness+80

■ Installation

