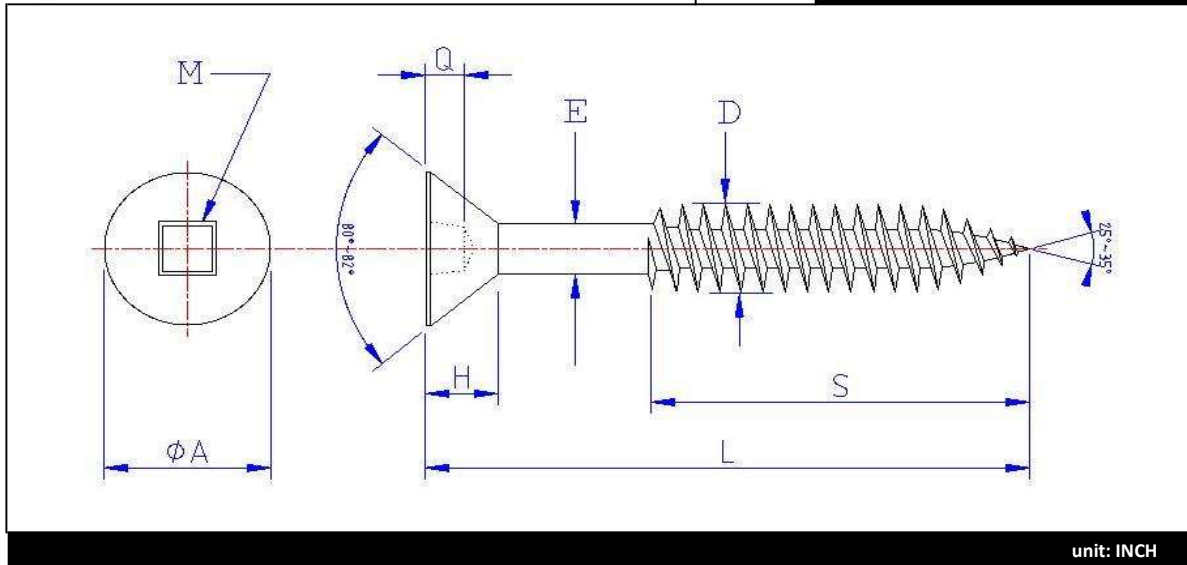




Brand	Root
	FKWSB...



unit: INCH

L LENGTH TOLERANCE	≤ 5/8"	+ 0	- 0.03
	> 5/8" to ≤ 1-1/2"	+ 0	- 0.05
	> 1-1/2" to ≤ 2-3/4"	+ 0	- 0.06
	> 2-3/4"	+ 0	- 0.09

S THREAD LENGTH	< 1"	Full Thread
	≥ 1"	2/3 Thread

SCREW SIZE	M PUNCH		Q DRIVE DEPTH	A HEAD DIAM.	H HEAD HEIGHT	E BODY DIAM.	D THREAD DIAM.	THREAD PER INCH	TORK
# 4	# 0	Min	0.028	0.195	Ref.	0.084	0.105	22	
		Max	0.038	0.225		0.095	0.116		
# 5	# 1	Min	0.050	0.220	Ref.	0.096	0.118	20	
		Max	0.065	0.252		0.107	0.129		
# 6	# 1	Min	0.050	0.244	Ref.	0.107	0.131	18	
		Max	0.065	0.279		0.118	0.142		
# 8	# 2	Min	0.060	0.292	Ref.	0.125	0.157	15	
		Max	0.075	0.332		0.136	0.168		
# 10	# 2	Min	0.060	0.340	Ref.	0.146	0.183	13	
		Max	0.075	0.385		0.157	0.194		
# 12	# 3	Min	0.080	0.389	Ref.	0.165	0.209	11	
		Max	0.095	0.438		0.176	0.220		

Flat Countersunk Head, Square recess, Wood Screw, TwinFast Thread, Solid Brass

Root = Flat socKet Wood Solid Brass

Bulk Label Description:

- English: FLAT HEAD, SQUARE, WOOD SCREW, SOLID BRASS
- French: VIS À BOIS, TÊTE PLATE, CARRÉ, LAITON SOLIDE
- Spanish: TORNILLO PARA MADERA, CABEZA PLANA, LATÓN MACIZO

Date: 8 février 2019

Done by: P.B.