

2002 Flush Pulls: "A" style (#A2002)

Premium flush pulls made out of solid brass and finished as required

For use on 1 3/8" or 1 3/4"

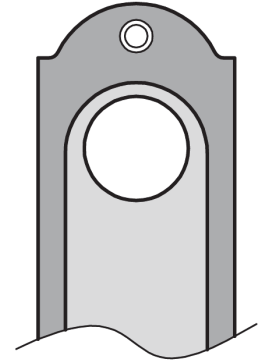
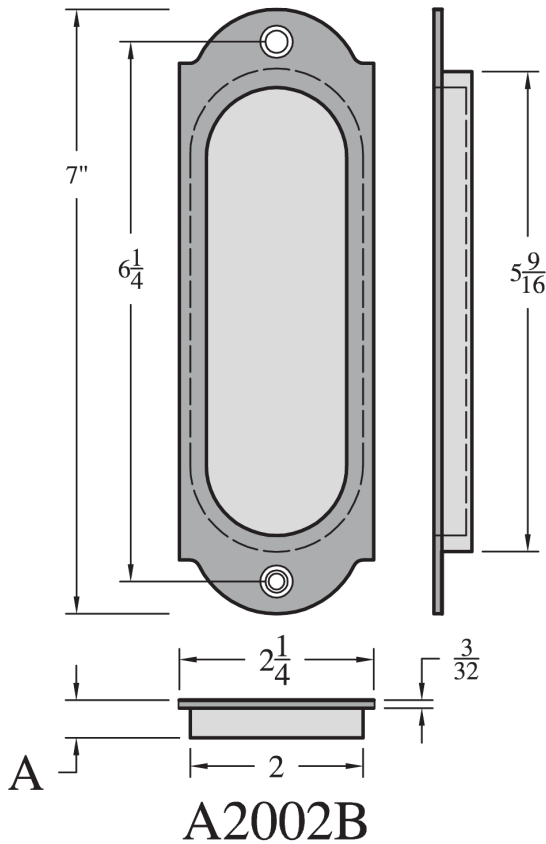
Available in four functions to work with the #2000, #2001, #2002 sliding/pocket door locks:

A2002B (blank / passage)

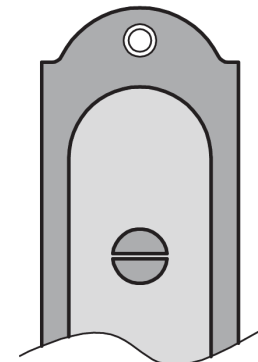
A2002C (for use with cylinders)

A2002E (ER key)

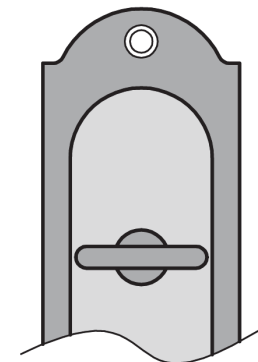
A2002T (thumb turn)



A2002C



A2002E



A2002T

A 7/16" for doors 1 3/4" minimum
11/32" for doors 1 3/8" minimum