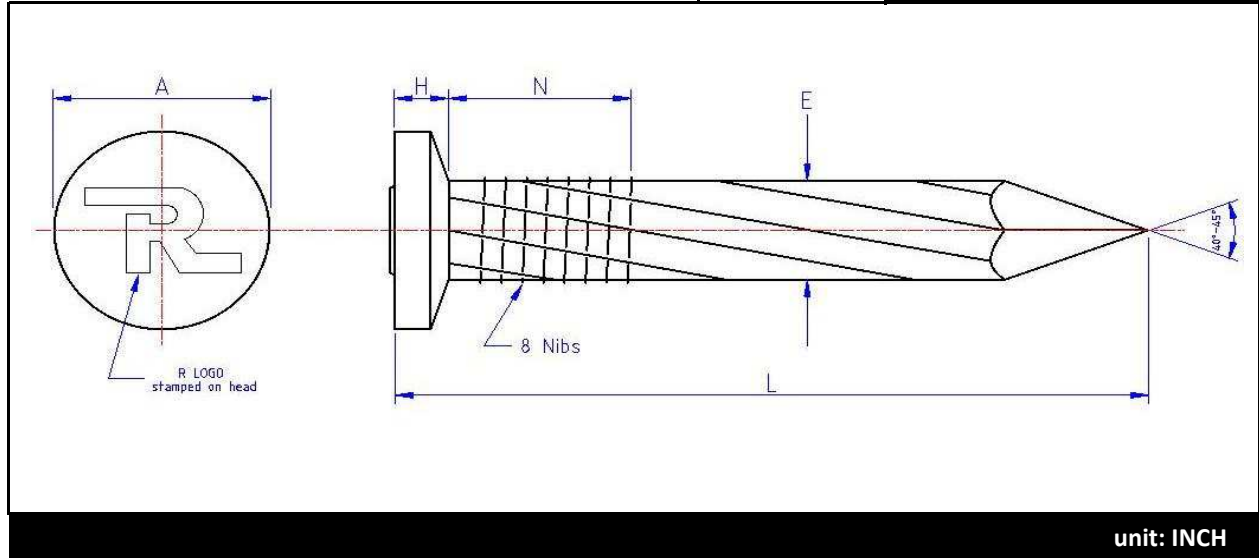




BRAND	ROOT
SluggR	CNG...



unit: INCH

L LENGTH TOLERANCE	$\leq 2-1/2''$	± 0.03
	$> 2-1/2''$	± 0.06

SIZE		A	H	N	E	DRILL Hole Diam.
		HEAD DIAM.	HEAD HEIGHT	NIBS LENGTH	BODY DIAM.	
7/32	Min	0.410	0.110	0.500	0.220	3/16"
	Max	0.450	0.130	0.550	0.230	

Shank is Twisted groove (flute), R logo embossed on head, medium carbon steel (HRC 48 to 52), **Hot Dip Galvanized**

Root = Concrete Nail Galvanized

Bulk Label Description:

- English: "SLUGGER" CONCRETE NAIL, HOT-DIP GALVANIZED
- French: "SLUGGER" CLOUS À BÉTON, GALVANISÉ À CHAUD
- Spanish: "SLUGGER" CLAVOS CONCRETO GALVANIZADO

Date: 9 mai 2018

Done by: P.B.