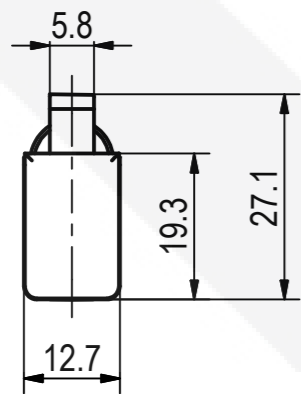


A (1:1)



B-B

