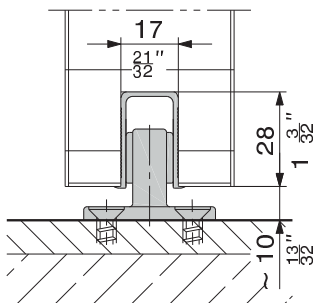
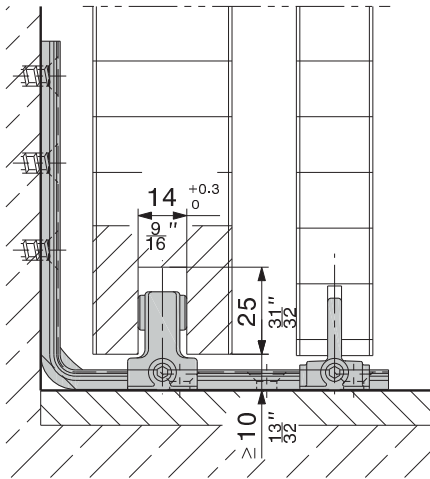
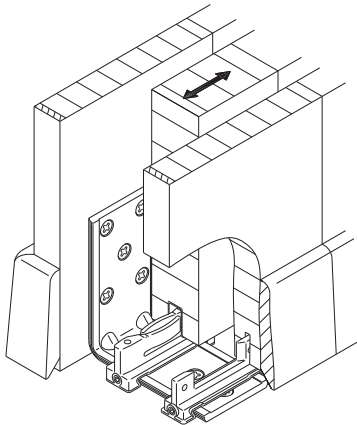


HAWA-Confort 160

This hardware system provides a convenient solution to an age-old problem. Inadequate means of attachment to crumbly sub-flooring or in the vicinity of a floor heating system can give rise to a variety of problems. HAWA-Confort 160 provides the perfect solution, the floor guide is attached to the wall. The guide and catch components are laterally adjustable (where a trim wall is available).

Please use the corresponding installation instructions code 15237.

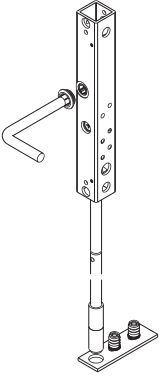
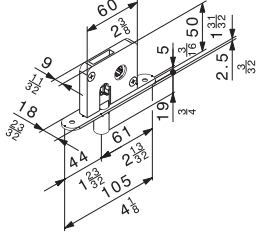
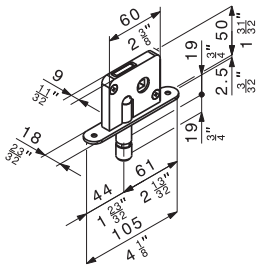
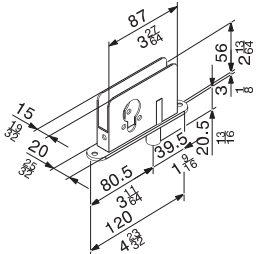


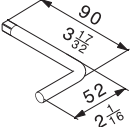
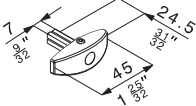
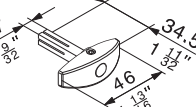
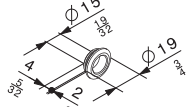
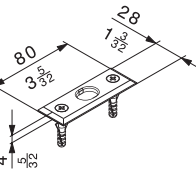
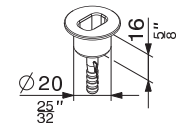
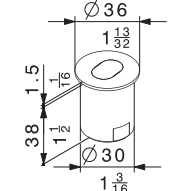
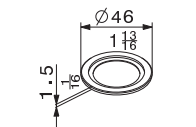
Floor guides for sliding doors up to 160 kg (352 lbs.), groove width 14 mm ($\frac{35}{64}$ ")

	code
	Guide, rattle proof, for screw mounting to floor, plastic black [groove width 14 mm ($\frac{35}{64}$ ")] 14711
	HAWA-Confort 160, single, laterally adjustable floor-mounted guide, rattle proof, plastic black [groove width 14 mm ($\frac{35}{64}$ ")] 15274
	HAWA-Confort 160, dual, laterally adjustable floor-mounted guide, rattle proof, plastic black, and holding device for trim wall [groove width 14 + 4 mm ($\frac{35}{64}$ " + $\frac{5}{32}$ ")] 15275
	HAWA-Confort 160, single, laterally adjustable floor-mounted guide, rattle proof, plastic black, with long bracket [groove width 14 mm ($\frac{35}{64}$ ")] 15623
	Guide, rattle proof, for screw mounting to floor, adjustable [groove width 14 mm ($\frac{35}{64}$ ")] 15638
	Guide profile, plastic black, 3000 mm (9'10 $\frac{7}{8}$ "), groove-mounted, set of 5 pieces 14963

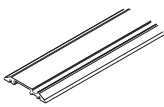
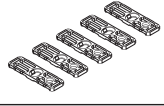
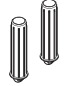
Subject to modification. Metric specifications are exact. Inches are approximate.

Locks for bottom guide channels, inside dimension 14 mm ^{($\frac{35}{64}$ "})

		code
	<p>HAWA-Doorfix Bar bolt lock, galvanized steel Backset 18 mm ($\frac{45}{64}$") Socket square/hexagonal 7/8 mm Total lift of push rod: 46 mm ($1\frac{13}{16}$") Double turn, 1st level 28 mm ($1\frac{7}{8}$") 2nd level 18 mm ($\frac{45}{64}$") Operation height 980 mm or 830 mm (3'2 $\frac{37}{64}$" or 2'8 $\frac{43}{64}$"), Push rod can be shortened. The bar bolt lock can be operated both sides from the door surface as well as from the front.</p> <p>Assembly dimensions please see page 86</p>	15077
	<p>Dead bolt lock, 13 mm ($\frac{33}{64}$") Backset 29,5 mm (1 $\frac{5}{32}$") Socket square/hexagonal 7/8 mm</p>	Galvanized steel 10726
	<p>Dead bolt lock, 13 mm ($\frac{33}{64}$") Galvanized steel, with guide pin plastic-tyred Backset 29,5 mm (1 $\frac{5}{32}$") Socket square/hexagonal 7/8 mm</p>	Stainless steel WNR 1.4301/ AISI 304 17131
	<p>HAWA-bar bolt lock, 13 mm ($\frac{33}{64}$") Galvanized steel Backset 34,5 mm (1 $\frac{23}{64}$")</p>	<p>profile cylinder 17 mm ($\frac{43}{64}$") 16695</p> <p>profile cylinder 17 mm ($\frac{43}{64}$"), stainless steel WNR 1.4301/ AISI 304 21087</p> <p>round cylinder 22 mm ($\frac{55}{64}$") 16696</p> <p>square/ hexagon socket 7/8 mm 16697</p>

		code
	Key for locks, 7 mm ($\frac{9}{32}$ ")	10723
	Thumbturn, chromium finish, for door thicknesses of 35–40 mm (1 $\frac{3}{8}$ " –1 $\frac{19}{32}$ ")	13789
	Thumbturn, chromium finish, for door thicknesses of 41–57 mm (1 $\frac{5}{8}$ " –2 $\frac{1}{4}$ ")	19806
	Slip-fit rose, brass dull nickel finish	13858
	Strike plate, chromium-plated steel	13130
	Sleeve closure including fitting screw	19149
	Floor-mounted sleeve with oblong hole and chromium- plated brass spring, Ø 36 mm (1 $\frac{27}{64}$ ")	13787
	Rosette for floor-mounted sleeve 13787	17326

Surface mounted bottom guide

		mm/inch	code
	Single bottom guide profile, alu plain anodized	2500 (8'2 $\frac{7}{16}$ ")	19348
		3500 (11'5 $\frac{13}{16}$ ")	19349
		6000 (19'8 $\frac{7}{32}$ ")	18956
		cut to size	19350
	Set of fixing parts for bottom guide profiles, 5 pieces (2 pieces per metre)		19162
	Spring loaded floor guide, for 1 wooden sliding door (2 pieces)		19155

