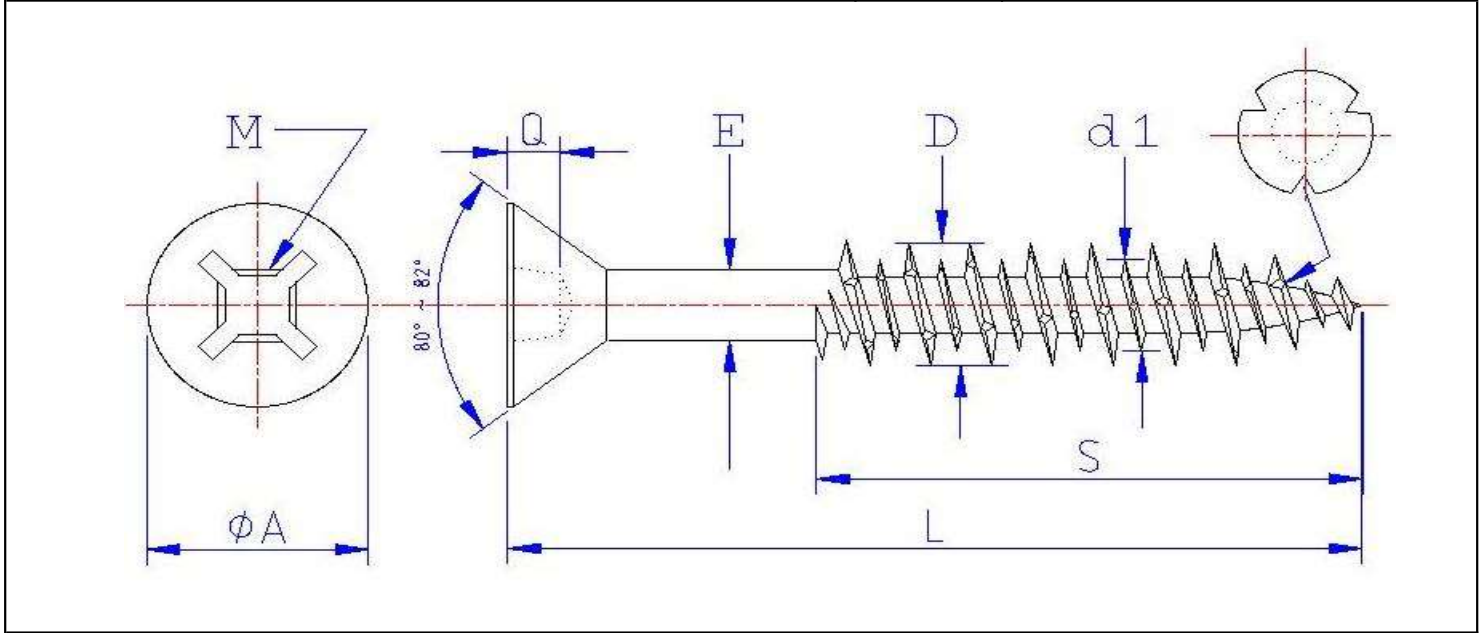




Brand	Root
	FQCBL...



unit: INCH

L LENGTH TOLERANCE	1-1/4"	+0	-0.05
	>1-1/4" to ≤2-3/4"	+0	-0.06
	>2-3/4"	+0	-0.09

S THREAD LENGTH	≤ 1-3/4"	Full Thread
	> 1-3/4"	1-3/4" ±0.05

SCREW SIZE	M PUNCH		Q DRIVE DEPTH	A HEAD DIAM.	E BODY DIAM.	D THREAD DIAM.	d1 THREAD DIAM.	THREAD PER INCH	TORK INCH/ POUND
3/16	# 2	Min	0.060	0.340	0.146	0.205	0.150	16	56
		Max	0.075	0.385	0.151	0.215	0.163		
1/4	# 3	Min	0.080	0.452	0.185	0.244	0.193	14	142
		Max	0.095	0.507	0.190	0.255	0.205		

Flat Countersunk Head, Quadrex recess, Hi-Low Thread with 3 cut, BLUE 'Ruspert' (1000 hours SST)

Root= Flat Quadrex Concrete BLue

Bulk Label Description:

English: FLAT HEAD, HI-LOW THREAD, QUADREX, CONCRETE SCREW, BLUE 'RUSPERT'

French: VIS À BÉTON, FILET HI-LOW, TÊTE PLATE, QUADREX, 'RUSPERT' BLEU

Spanish: TORNILLO PARA HORMIGÓN, HI-LOW, CABEZA PLANA, QUADREX, 'RUSPERT' AZUL

Date : 5 avril 2019

Done by : P.B.