

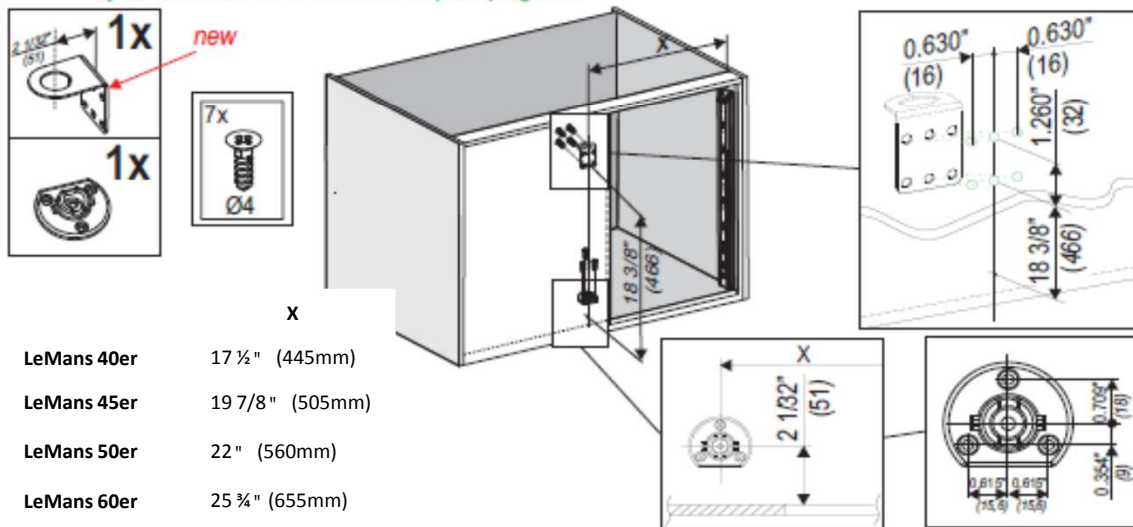
# LeMans II



## Mounting Kit For Blind Corner Hinges

Only needed when using blind corner hinges

Start with your standard instruction up to page 3

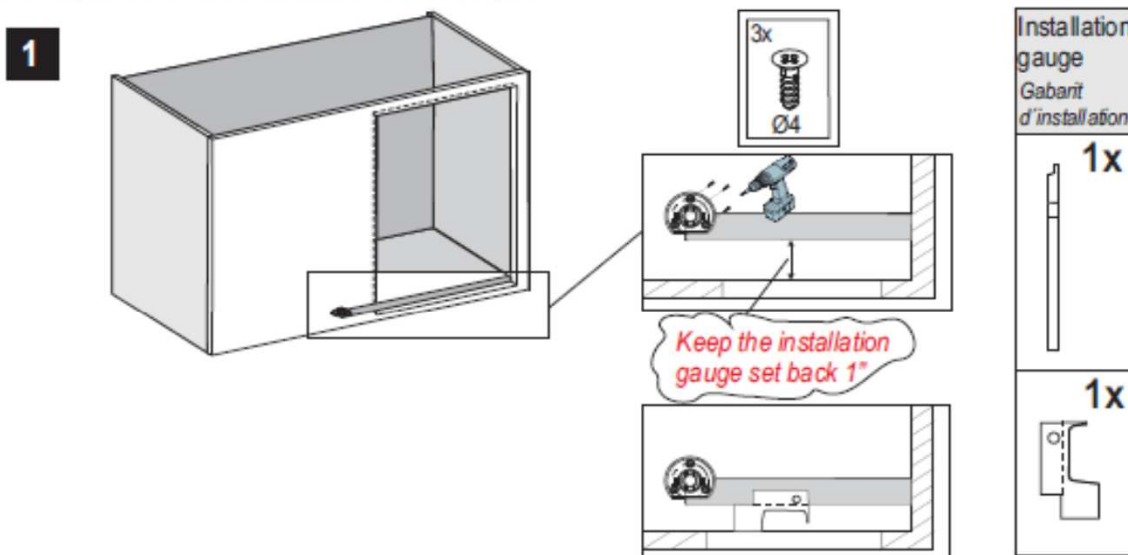


- LeMans 40er     17 1/2" (445mm)
- LeMans 45er     19 7/8" (505mm)
- LeMans 50er     22" (560mm)
- LeMans 60er     25 3/4" (655mm)

For final installation => skip to page 8 of your standard instruction

## Using the installation gauge. Utilisation du gabarit d'installation

Start with your standard instruction up to page 6



Use the small gauge for the 1" set back

For final installation --> skip to step **2** of your standard instruction

