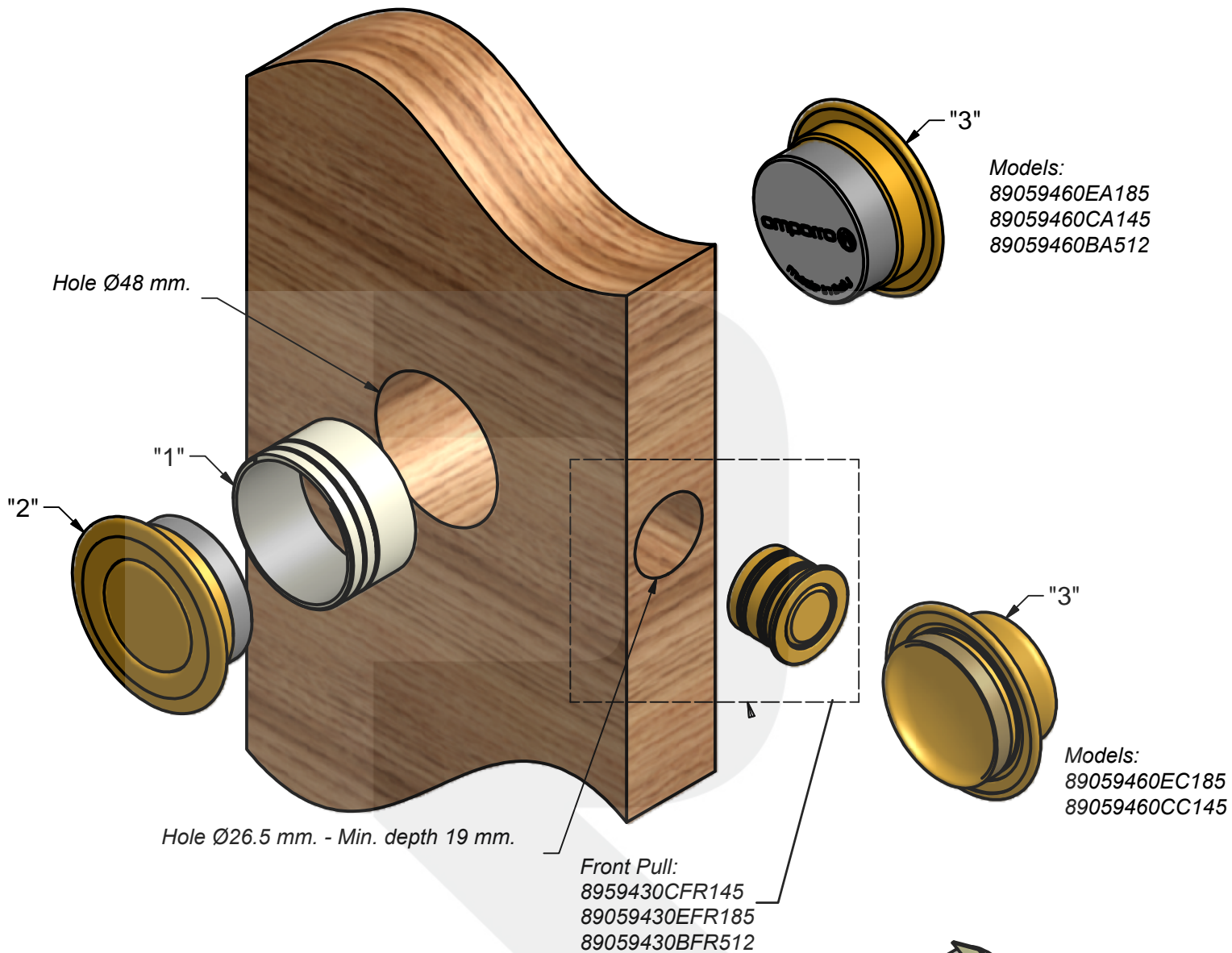
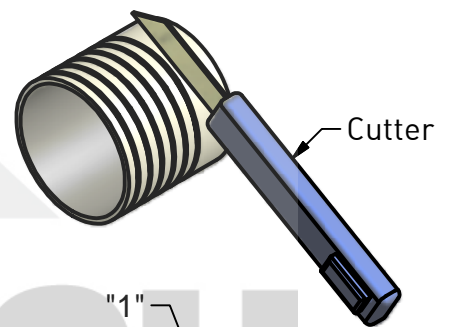


# Assembling instructions item 89059460-



- ◆ Cut the thread-sleeve "1" according to the door-thickness (see the detail);
- ◆ Tighten the thread-sleeve "1" on the handle "2";
- ◆ Tighten and fix the handle "3"



Door Thickness (mm.)	Cut (mm.)
35 - 38	15
39 - 43	20
44 - 48	25
49 - 53	30
54 - 58	35
59 - 63	40
64 - 67	44

