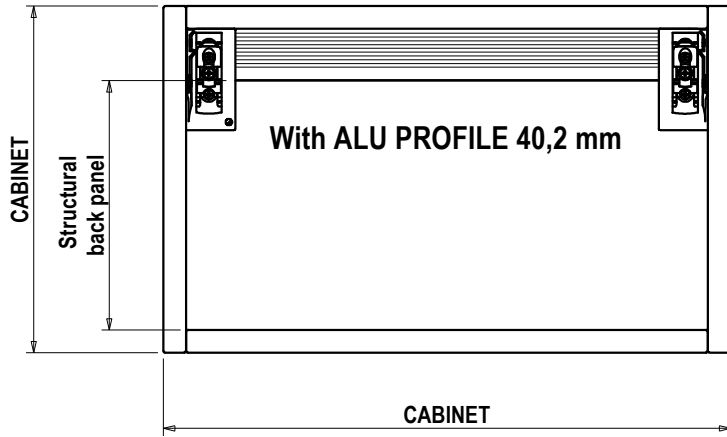
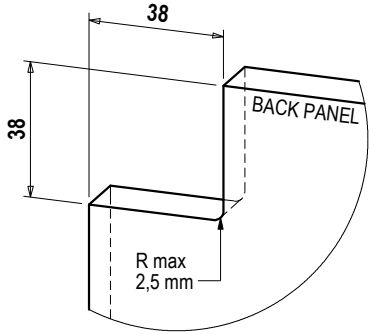
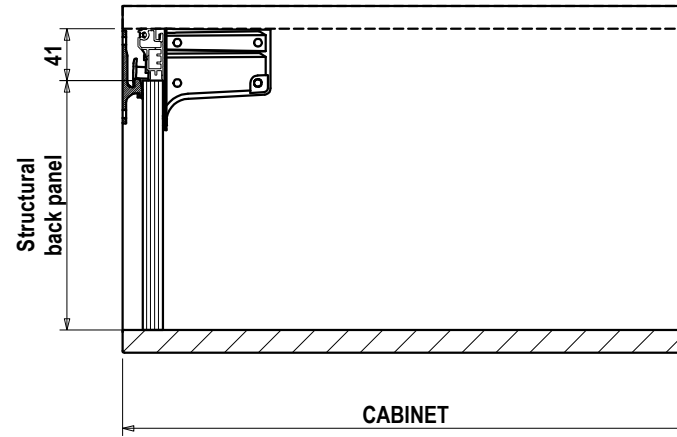


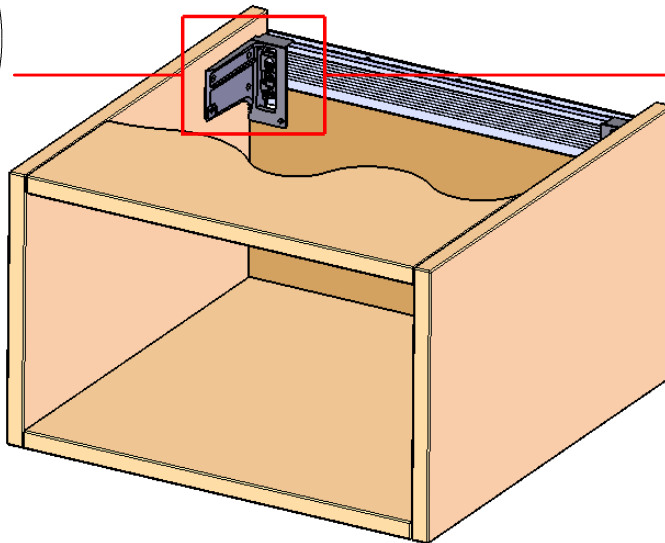
FRONT VIEW



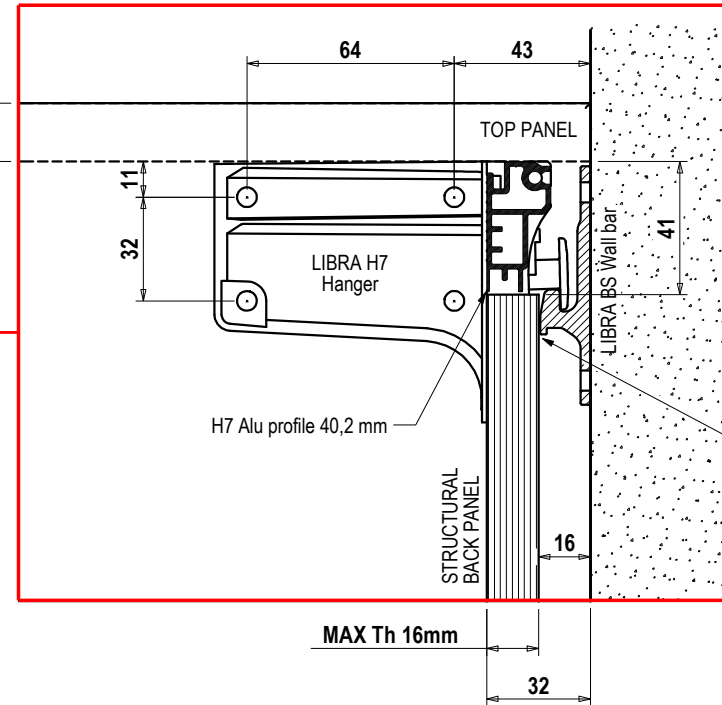
LATERAL VIEW



NECESSARY TO MAKE A CUT OUT IN THE UPPER CORNER



Th Top Panel



PAY ATTENTION
Back panel
No thicker than
16,0 mm