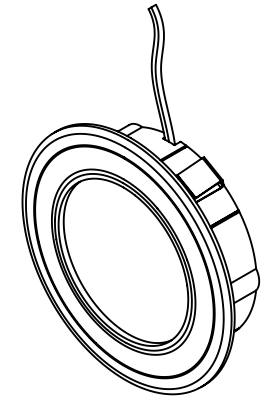
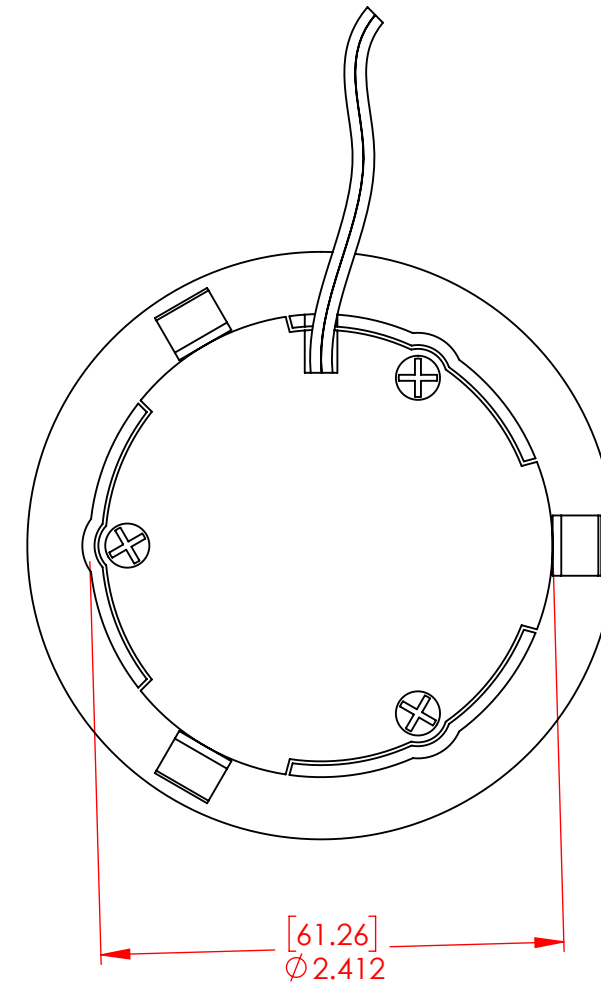
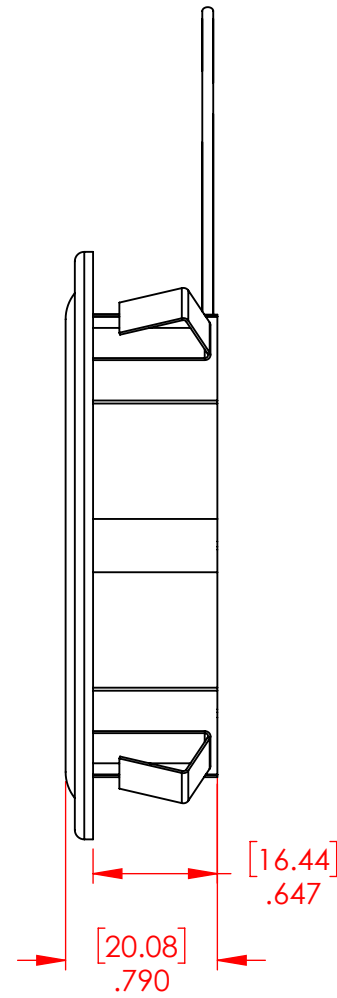
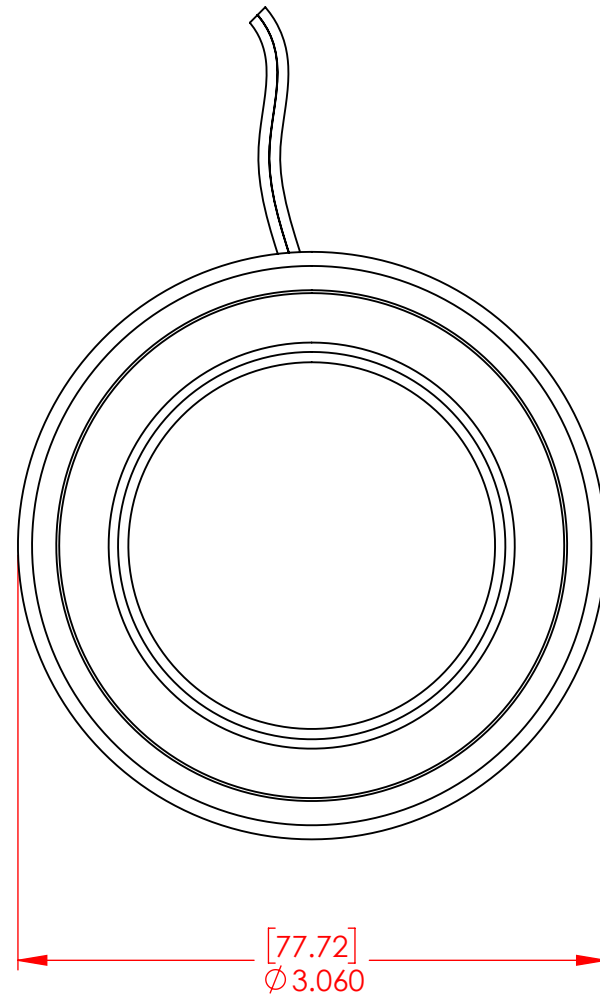
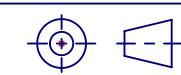


REVISIONS				
REV	DESCRIPTION	DATE	BY	APPROVED
01	ISSUE	20/04/2017	P.M.	




[DIMENSION MM]
[DIMENSION INCH]

TOLERANCES UNLESS OTHERWISE SPECIFIED
 .XXXX ± .0002"
 .XXX ± .005"
 .XX ± .015"
 RADIUS ± .005"
 FRACT. ± 1/32"
 ANGULAR ± 1/2"



PROPRIETARY AND CONFIDENTIAL
 THE INFORMATION CONTAINED IN THIS DRAWING IS THE SOLE PROPERTY OF LUMINERGY. ANY REPRODUCTION IN PART OR AS A WHOLE WITHOUT THE WRITTEN PERMISSION OF LUMINERGY IS PROHIBITED.

		6068, Métropolitain Est Montreal, QC, CANADA, H1S 1A9 TEL : 1-888-653-3533 TEL : 514-448-1574 FAX : 1-514-903-0649	
PROJET COMPOSANTE RICHELIEU			
DESCRIPTION DOMUS-PASSEPARTOUT			
DWG. NO 250106-00-01-r01	DRAWN P. MARQUIS	DATE 20/04/2017	B
SCALE 1:1	SHEET 1 OF 1	APPROVED	
CADFILE: 250106-00-01-r01 DOMUS-PASSEPARTOUT			