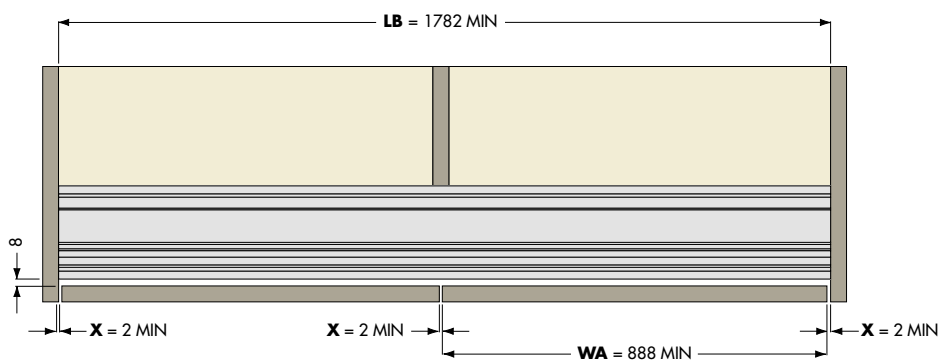
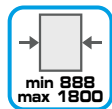


$LB = 2WA + X - 2S$
$WA = (LB - X + 2S) / 2$

ABBREVIATIONS:
LB = largeur rail
WA = largeur porte
S = chevauchement

ABBREVIATIONS:
 LB = rail length
 WA = door width
 S = overlapping



$LB = WA + 3X$
$WA = (LB - 3X) / 2$

ABBREVIATIONS:
LB = largeur rail
WA = largeur porte
S = chevauchement

ABBREVIATIONS:
 LB = rail length
 WA = door width
 S = overlapping