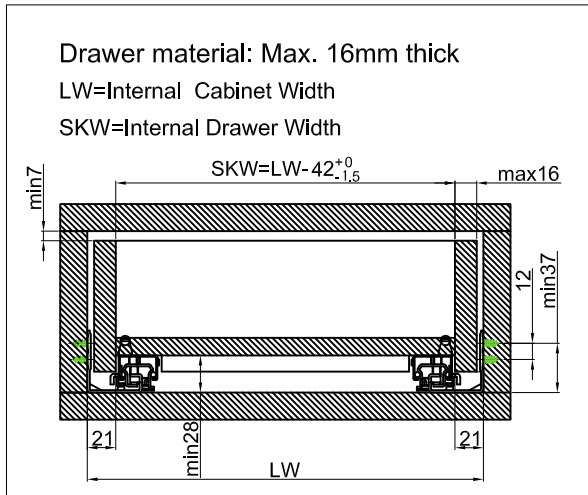
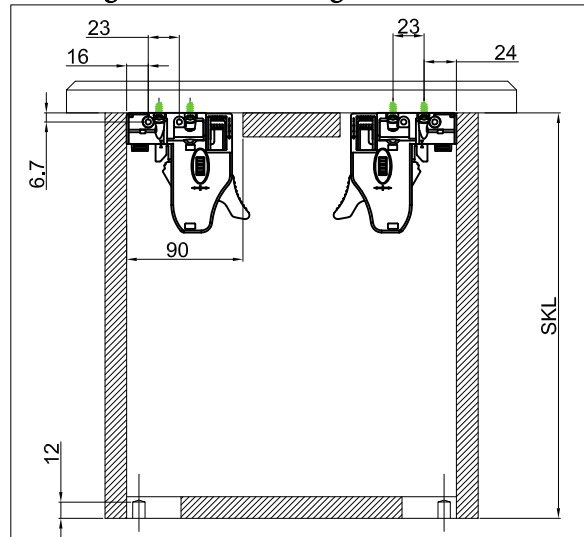


Drawer Dimensions(mm)

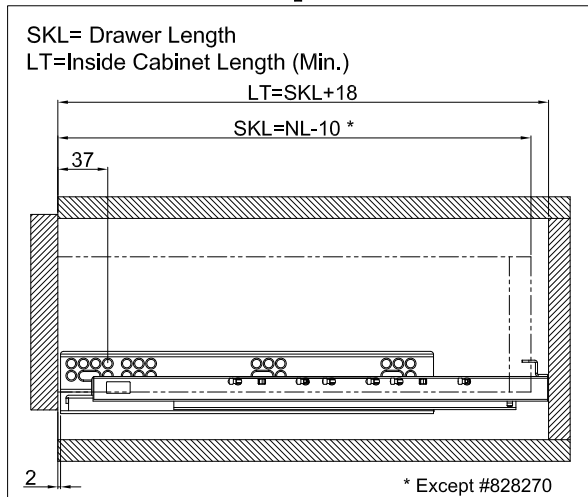
Drawer Width



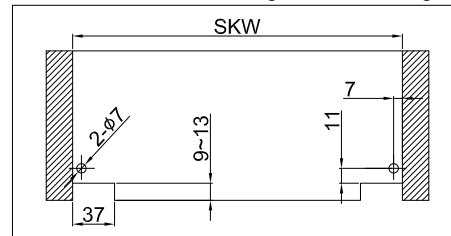
Locking Device Mounting



Drawer vs. Cabinet Depth

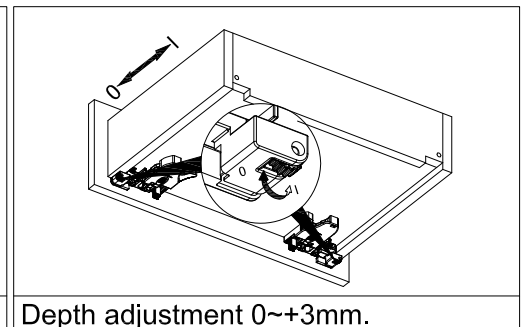
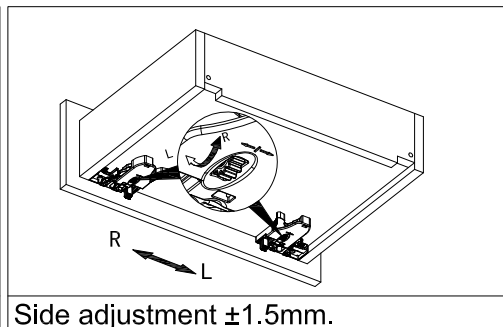
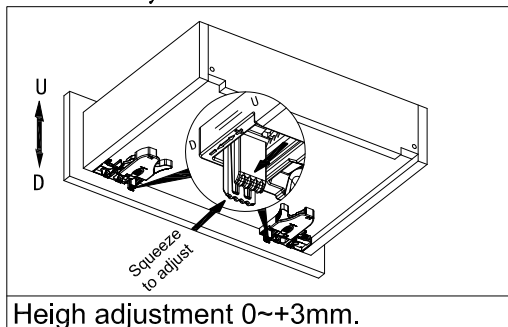


Drawer Back Drilling & Notching



Item Code	828270	828300	828350	828400	828450	828500	828550
Slides Nominal Length (NL)	270	300	350	400	450	500	550
Drawer Length (SKL)	270	290	340	390	440	490	540
Inside Cabinet Length (min) (LT)	288	308	358	408	458	508	558

Drawer Adjustment



* Side adjustment ±1.5mm, provided that drawer size is within tolerance.