



Multi-purpose stainless steel bin



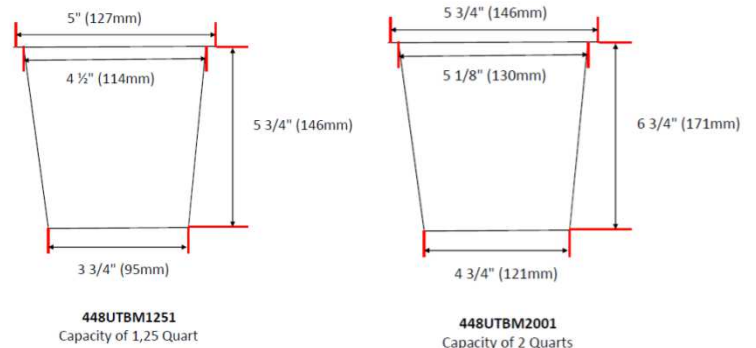
Advantages

- Elegant stainless steel content that can be used in many applications.
- Can be free standing on a counter for big utensils storage.
- Can be recessed in a shelf or wood pull-out system.
- Offered in 2 practical sizes of 1,25 Quart and 2 Quarts.
- Easy to clean



Description

These elegant stainless steel bins are useful in many applications, even those you did not think about. Utensils storage bin, ice bin for the wine, dry food content, are only few ideas.



Code	Description	Outer Dimensions Diam. X H	Drilling Dimension
448UTBM1251	BIN 1,25 QT STAINLESS STEEL	5 " x 5 ¾ " 127 x 146mm	4 1/2 " (114mm)
448UTBM2001	BIN 2 QT STAINLESS STEEL	5 ¾ " x 6 ¾ " 146 x 171mm	5 1/8 " (130mm)