

24Vdc set up example

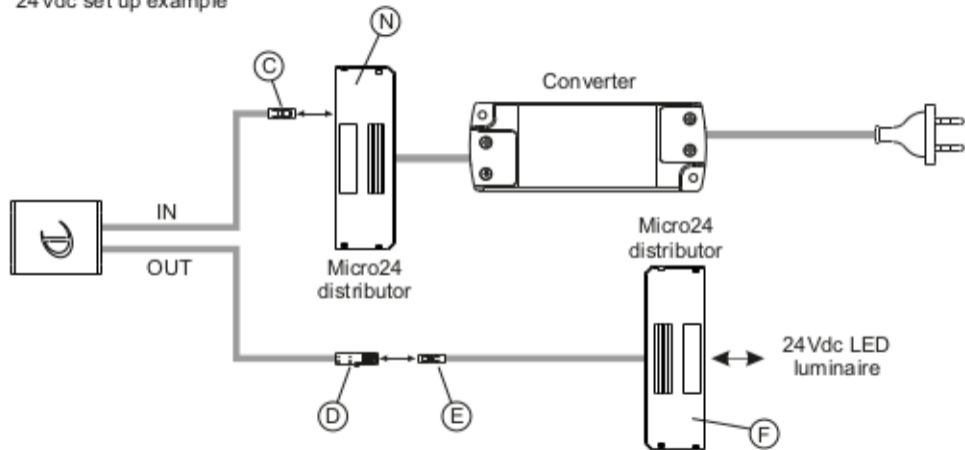


Fig 2