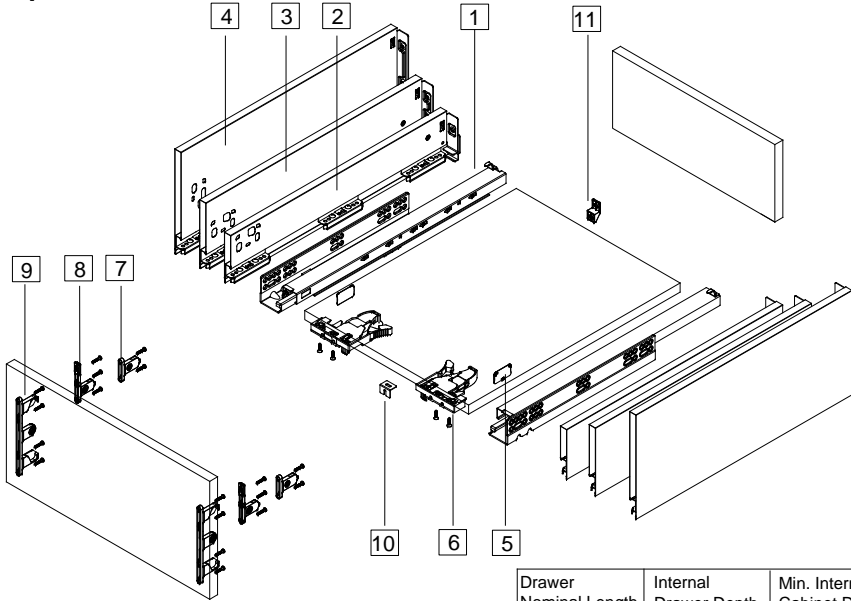




# OPTIMIZ-R drawer

## Components

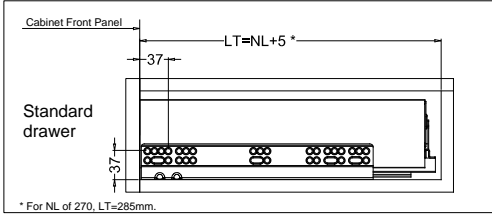


- |                            |                                       |
|----------------------------|---------------------------------------|
| 1. Series 828 slides       | 7. Front fixing-brackets (89 height)  |
| 2. 89 height drawer sides  | 8. Front fixing-brackets (121 height) |
| 3. 121 height drawer sides | 9. Front fixing-brackets (185 height) |
| 4. 185 height drawer sides | 10. Bottom fixing - front *           |
| 5. Side cover cap          | 11. Bottom fixing - back *            |
| 6. 4-way locking devices   | (* Optional for wide drawers)         |

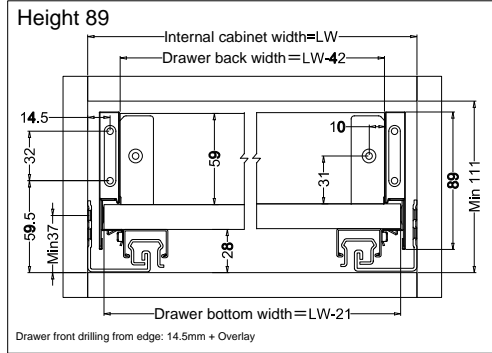
Drawer Nominal Length	Internal Drawer Depth	Min. Internal Cabinet Depth
270mm	254mm	285mm
300mm	274mm	305mm
350mm	324mm	355mm
400mm	374mm	405mm
450mm	424mm	455mm
500mm	474mm	505mm
550mm	524mm	555mm
600mm	574mm	605mm

## Installation Dimensions (mm)

Nominal slide length=NL Internal cabinet depth=LT LW=Internal cabinet width



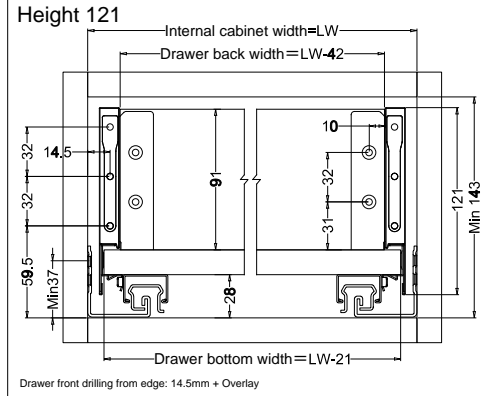
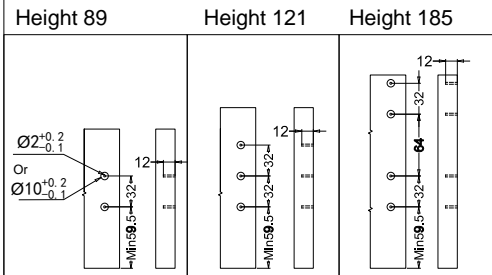
\* For NL of 270, LT=285mm.



Drawer front drilling from edge: 14.5mm + Overlay

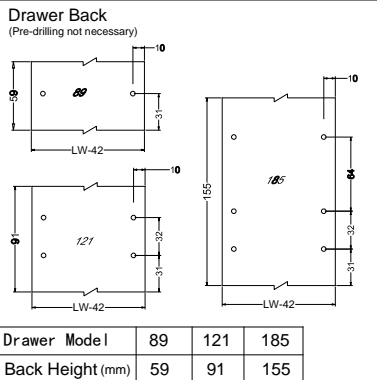
## Drawer Front Drilling (mm)

Ø2 x 12	Ø10 x 12
Wood screw	Dowel or expanding dowel
Ø4 x 17	Ø10 dowel or expanding dowel

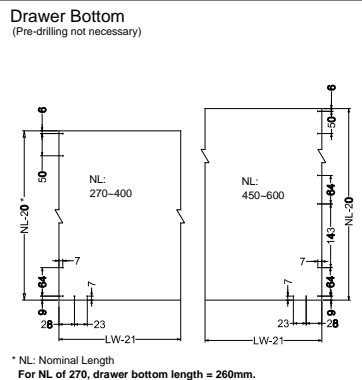


Drawer front drilling from edge: 14.5mm + Overlay

## Drawer Back & Drawer Bottom Dimensions - 16mm panel

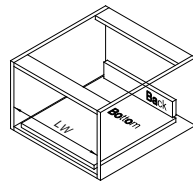


Drawer Model	89	121	185
Back Height (mm)	59	91	155

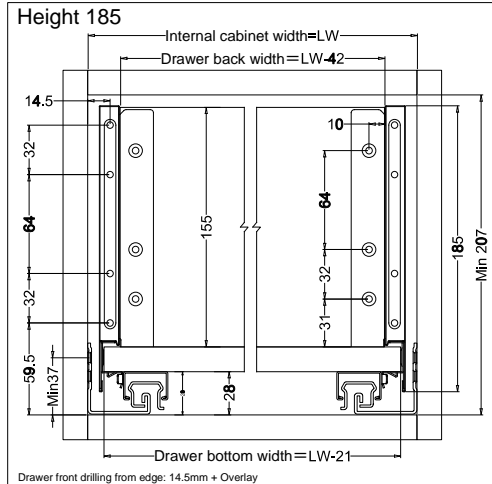
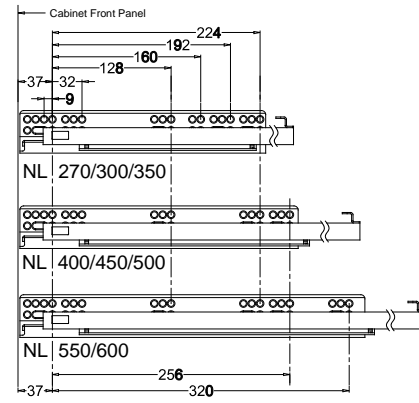


\* NL: Nominal Length  
For NL of 270, drawer bottom length = 260mm.

LW Internal cabinet width



## Slides Hole Pattern



Drawer front drilling from edge: 14.5mm + Overlay

