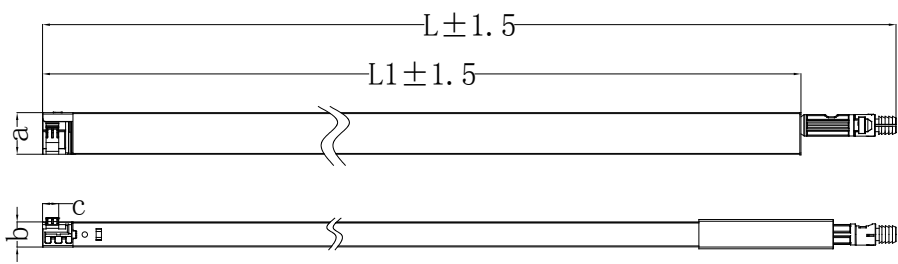
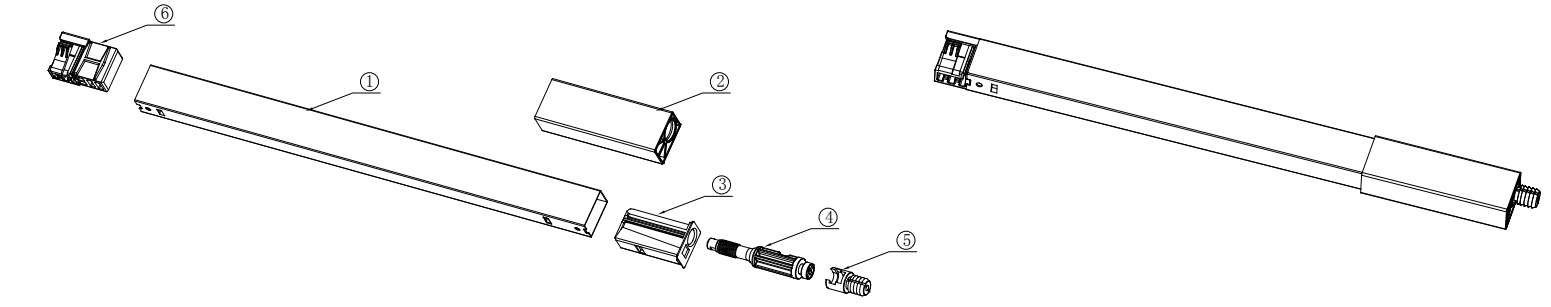
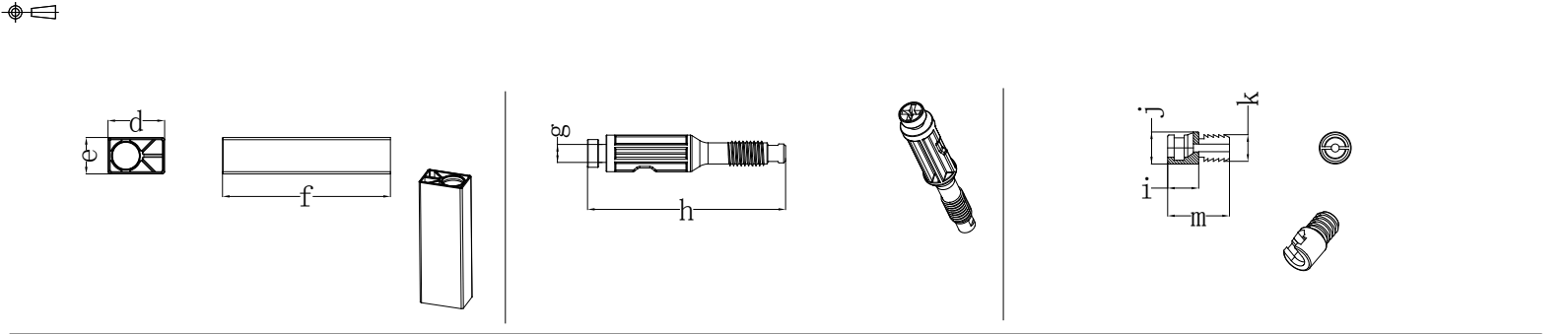


RIC # 908T27030, 908T30030, 908T35030, 908T40030, 908T45030, 908T50030, 908T55030
 908T270106, 908T300106, 908T350106, 908T400106, 908T450106, 908T500106, 908T550106

Product: Top Square Rail



908 Double Wall Drawer Sizes (tolerance: ±1.0)							
	270#	300#	350#	400#	450#	500#	550#
L	269mm	299mm	349mm	399mm	449mm	499mm	549mm
L1	216.5mm	246.5mm	296.5mm	346.5mm	396.5mm	446.5mm	496.5mm

Dim.	Specs.	Dim.	Specs.
a	23.2 ± 0.2	i	23.1 ± 0.5
b	14.2 ± 0.2	j	12.5 ± 0.5
c	9 ± 0.2	k	∅10 ± 0.1
d	25.6 ± 0.2	L	as in table
e	16.5 ± 0.2	L1	as in table
f	76 ± 0.5	r	
g	∅5.8 ± 0.15		
h	64 ± 0.3		
i	11.6 ± 0.2		