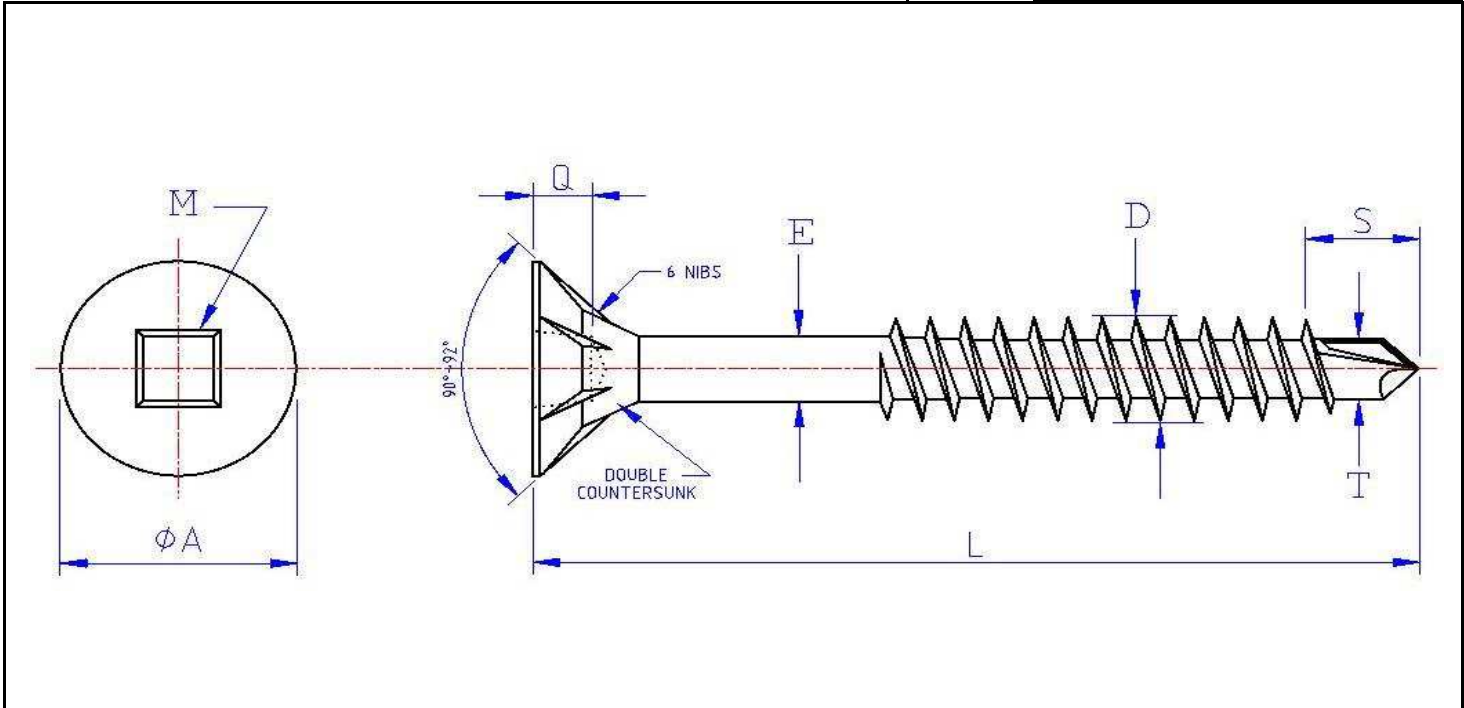




Brand	Root
	FKWNTZ...



unit: INCH

L LENGTH TOLERANCE	> 3/4" to ≤ 1-1/2"	+ 0	- 0.05
	> 1-1/2"	+ 0	- 0.06

THREAD LENGTH	2/3 Thread
--------------------------	-------------------

SCREW SIZE	M PUNCH		Q DRIVE DEPTH	A HEAD DIAM.	D MAJOR DIAM.	E BODY DIAM.	TEK SIZE	S POINT LENGTH	T POINT DIAM.	THREAD PER INCH	TORK INCH/POUND
# 7	# 2	Min	0.060	0.285	0.144	Ref. 0.113	#2	0.188	0.108	14	33
		Max	0.075	0.312	0.155			0.211	0.112		

Flat Head #8 Double Countersunk with 6 Nibs, Square drive, Wood Screw Single Lead with point Type "TEK", Zinc plated + WAX

Root= Flat socKet Wood Nibs Tek Zinc
Lid color for Pail is RED (PMS485-C)

Bulk Label Description:

- English: FLAT HEAD #8 with NIBS, SQUARE, WOOD SCREW SELF DRILLING, ZINC
- French: VIS À BOIS AUTO-PERCEUSE, TÊTE PLATE #8 AUTO-FRAISEUSE, CARRÉ, ZINC
- Spanish: TORNILLO PARA MADERA AUTOPERFORANTE, CABEZA PLANA #8 AUTORROSCANTE, CUADRADO, ZINC

Date: 12 décembre 2018

Done by: P.B.