

Flush partition walls with flexible folding.

Hardware system for large wooden folding walls with panel weighing up to 80 kg (176 lbs.).

Description

HAWA-Variofold 80/H is a hardware system for wooden folding walls with up to 80 kg (176lbs.) heavy panels. Installations are simple to plan, and quick to assemble. A pivot bearing secures the first panel in the set; the others line by means of elegant, stainless steel hinges that bring the panels closer together and minimise panel stacking space requirements. The panel set and the opposing end may also have a pivot door fitted. Attached to every other panel is a folding-/pivot door catch with an integrated, individually adjustable retainer, to hold the folding wall flush when closed.

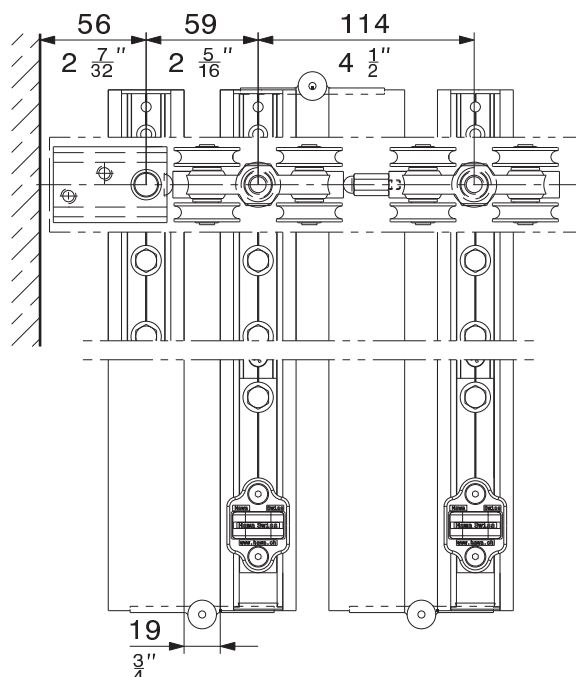
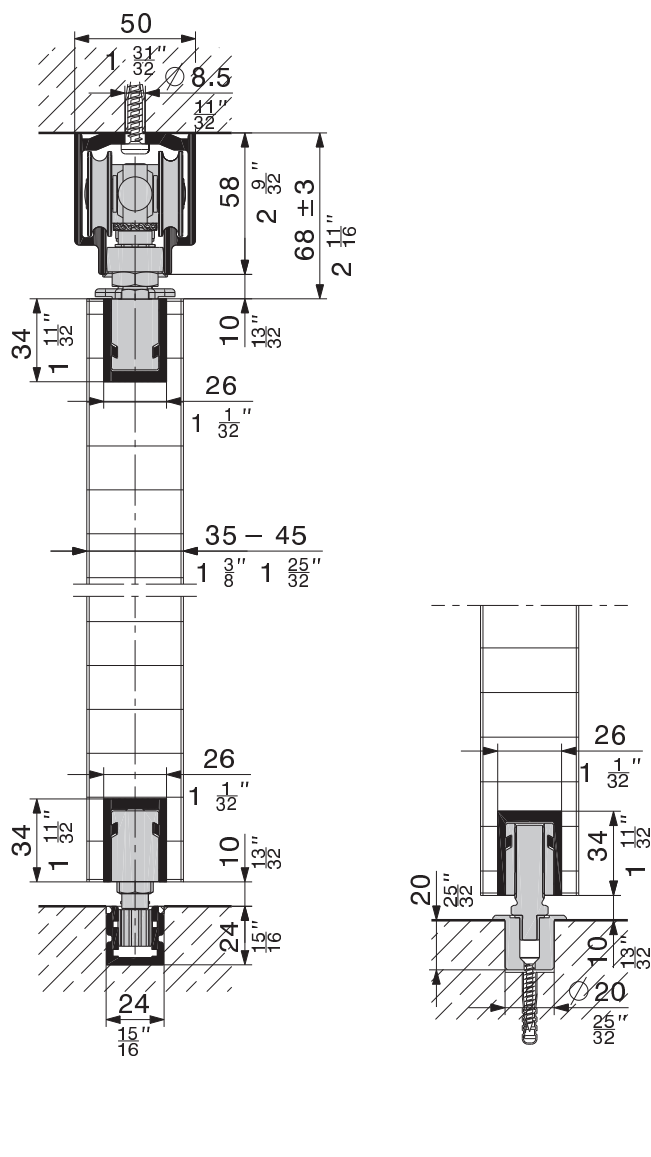
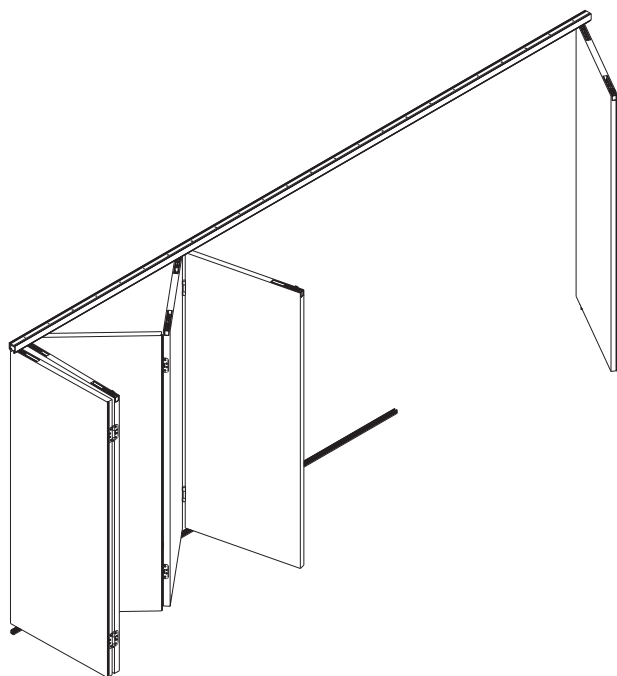
With HAWA-Variofold 80/H, panels are guided in a bottom guide channel. Installations with two panels on either side and up to 3,6 m (11'9 ³/₄"") wide are also possible without a bottom guide channel. A bar bolt lock operated at handle height keeps out unwanted visitors. Alternatively, an unobtrusive deadbolt lock fitted to the bottom edge of the panel provides almost invisible locking.

Applications





Any situation where a simply operated, high-quality folding system is needed to partition a room. Equally suitable for residential and commercial settings, e.g. shopping centres, airports, hotels, restaurants and banks. 2-piece thoroughfare doors in place of conventional hinged doors are most convenient in living space designed for handicapped people.

Features of the HAWA-Variofold 80/H

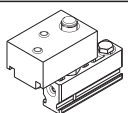
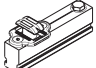
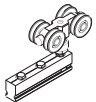
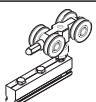
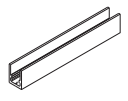
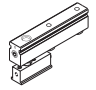
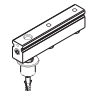
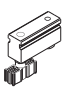

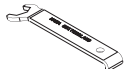


- Minimum panel width 500 mm (1'7 ¹¹/₁₆"")
- Maximum panel width 900 mm (2'11 ⁷/₁₆"")
- Panel thickness 35–45 mm (1 ³/₈"–1 ²⁵/₃₂"")
[Panel thickness 46–57 mm (1 ¹³/₁₆"–2 ¹/₄"") available on special request]
- Maximum panel weight 80 kg (176 lbs.)
- Left and right-hand, inwards or outwards-opening installations all use the same components
- A communicating pivot door can be added to the panel stack, or the opposing end
- Equal-width panels for simple planning
- Vertical adjustment ± 3 mm (¹/₈"")
- Light and quiet running
- Panel stack stores compactly



Partial sets without hinges, top track and bottom guide channel

Sets can be individually assembled.		code
	Basic set with pivot bearing and guide	19532
	Basic set with pivot bearing without guide	19534
	Additional set with guide	19533
	Pivot door set to folded stack (without trolley and top pivot bearing)	19620
	Pivot door set for installation with bottom guide channel	19618
	Pivot door set for installation without bottom guide channel	19619
HAWA-Variofold 80/H requires a bottom guide channel, except for 2 or 2+2 panel installations. (→ installation examples)		

Partial sets comprising

	19532	19534	19533	19620	19618	19619	code
	1	1	-	-	1	1	16485
	1	1	1	1	1	1	20426
	1	1	-	-	-	-	16482
	-	-	1	-	-	-	16685
	5	4	3	1	3	3	10987
	1	-	-	-	1	-	19516
	-	1	-	-	-	1	19515
	1	-	1	-	-	-	19518
	5	4	3	1	3	3	20907
	1	1	-	-	-	-	10789
	1	1	-	-	-	-	14861
	1	1	-	-	-	-	19128

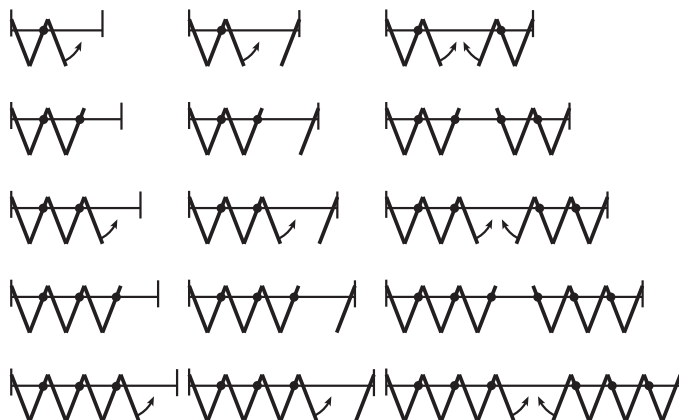
Installation examples

One-sided installations filling an aperture up to 6000 mm (19'8 ⁷/₃₂") width are possible using the 2-panel basic sets, supplementary and pivot door sets – or double this figure for two-sided installations. HAWA-Variofold 80/H requires a bottom guide channel, except for 2 or 2+2 panel installations.

Installations with or without a bottom guide channel

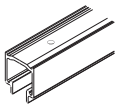


Installations with a bottom guide channel




These examples illustrate just some of the possibilities.


Top tracks

Caution: Hole positions vary.		mm/inch	code
	Top track alu, plain anodized, predrilled	6000 mm (19'8 ⁷ / ₃₂ ")	16852
		cut to size	16853

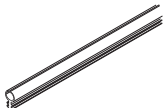
Bottom guide channel

		mm/inch	code
	Bottom guide channel alu, plain anodized, undrilled	6000 mm (19'8 ⁷ / ₃₂ ")	15405
		cut to size	15554

Hinge

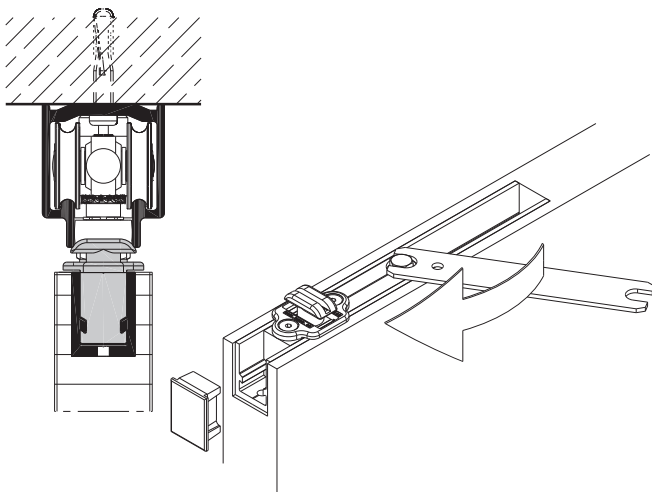
		code
	Stainless steel hinge with heavy load bearings WNR 1.4401/AISI 316, incl. fixing screws	23271
		Quantity of hinges per panel joint: Panel height ≤ 2500 mm (8'2 ⁷ / ₁₆ ") = 2 pcs. Panel height ≤ 3500 mm (11'5 ¹³ / ₁₆ ") = 3 pcs.

Hollow seal

		roll of	code
	Hollow seal, rubber black	10 m (32'9 ²³ / ₃₂ ")	19657

Folding-/pivot door catch

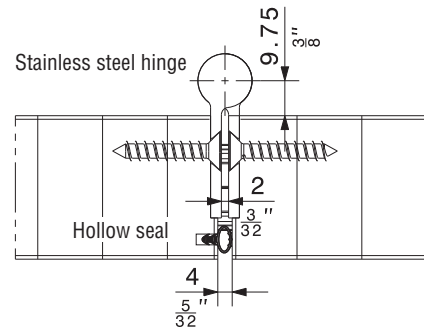
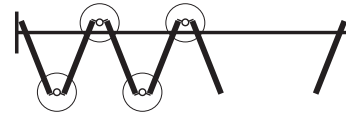
Every other panel has a folding-/pivot door catch (20426). Panels can thus be held flush in position without operating a locking mechanism.



Hinge

High loadbearing capacity means that panels up to 2500 mm (8'2 ⁷/₁₆") tall require just two hinges.

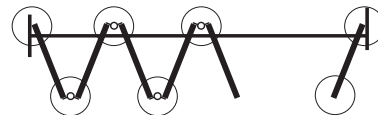
Hinge positions



Hollow seal

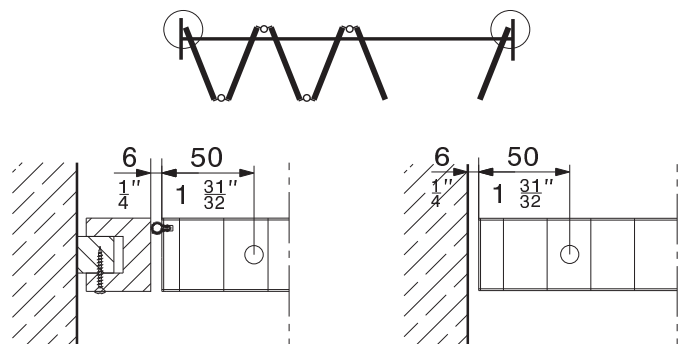
Hollow cross-section seal strips eliminate the problem of light penetrating through gaps between panels.

Hollow seal positions



Wall attachment

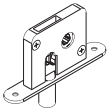
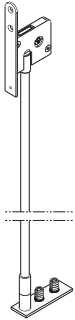



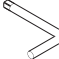

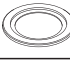
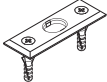
Hawa AG recommends a compensation strip for optimum wall attachment. In combination with hollow seal code 19657, this results in the elimination of the light gap and reduces draughts to a minimum. Doors that close directly against the wall must have 6 mm (¹/₄") clearance.



Version A
With premises-fitted compensation strip and hollow seal code 19657

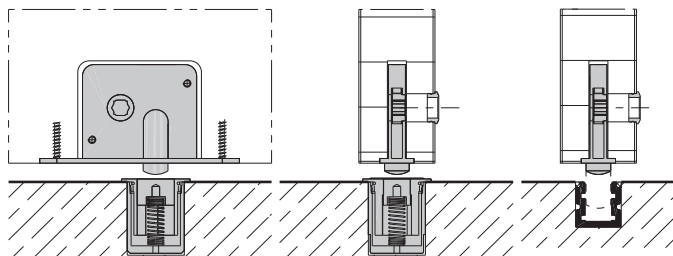
Version B
Direct wall attachment requires 6 mm (¹/₄") clearance

Locks

		code
	Deadbolt lock, galv. steel deadbolt 13 mm ($\frac{17}{32}$)	10726
	Bar bolt lock, square/hexagonal socket, backset 42,5 mm ($1\frac{11}{16}$) Assembly dimensions: → page 79	19592
	Thumbturn, chromium finish, for panel thickness 35 to 40 mm ($1\frac{3}{8}$ " to $1\frac{19}{32}$ "	13789
	Thumbturn, chromium finish, for panel thickness 41 to 57 mm ($1\frac{5}{8}$ " to $2\frac{1}{4}$ "	19806
	Slip-fit rose, brass dull nickel finish	13858
	Key for deadbolt lock 10726	10723
	Floor-mounted sleeve with oblong hole and chromium plated brass spring cover	13787
	Rosette for floor-mounted sleeve 13787	17326
	Strike plate, chromium-plated steel	13130

Deadbolt lock

The deadbolt lock code 10726 provides unobtrusive, barely visible locking at the panel bottom edge.



Locking with floor-mounted sleeve code 13787

Locking with bottom guide channel code 15554

Order specifications

- Type and quantity of partial sets
- Length of top track
- Length of bottom guide channel
- Quantity of hinges, → calculation details

Optional order specifications

- Type and quantity of locks
- Quantity of hollow seals

Planning / installation

For planning and installation purposes, please use planning and installation instructions code 19586.

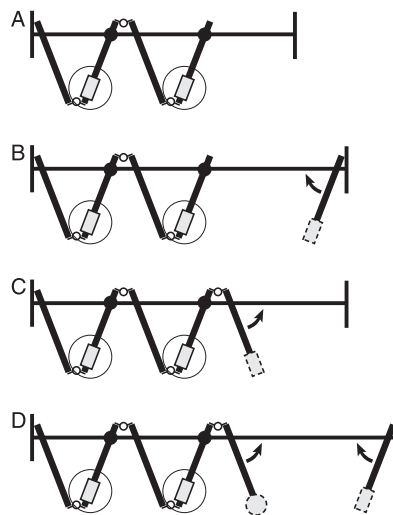
And for door thicknesses 46–57 mm additionally code 20085.





Locks

Additional deadbolt or bar bolt locks may be fitted for security, and to keep out unwanted visitors.

Locking from the inside engages the floor-mounted sleeve code 13787 or the bottom guide channel code 15554. Mortice locks can be used to secure pivot doors.

Lock positions



-  Deadbolt lock or bar bolt lock
-  Door edge bar not supplied by Hawa AG
-  Mortice lock not supplied by Hawa AG
-  Pivot door

Bar bolt lock

Bar bolt lock code 19592 allows locking the folding wall at handle height.

