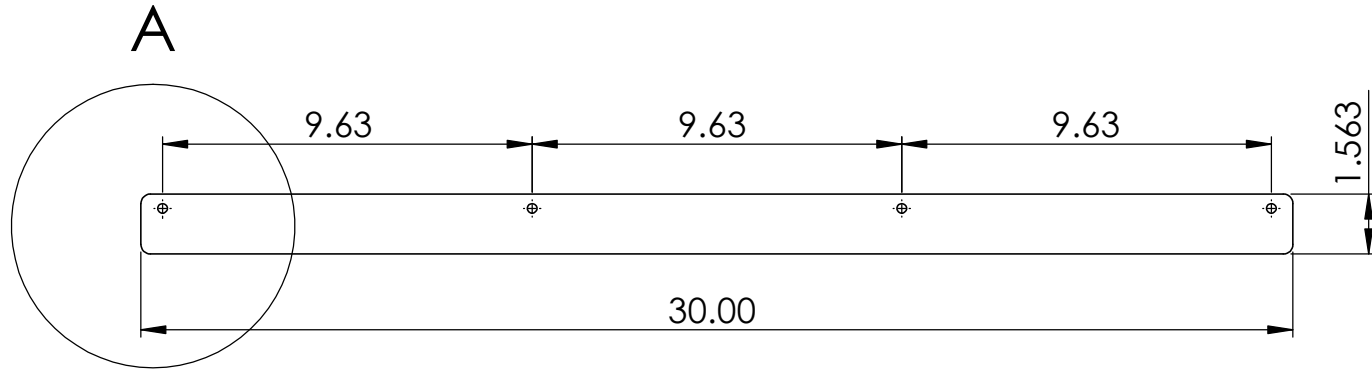
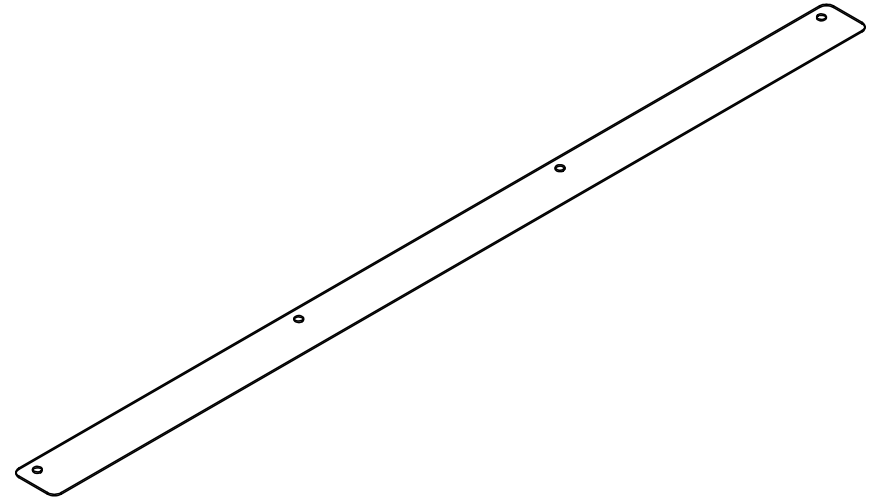
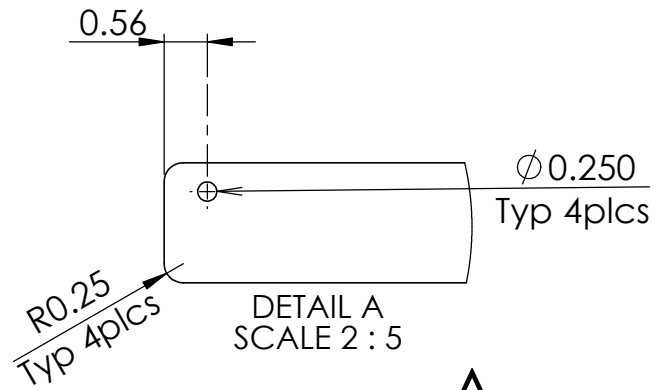


Part Number	Description	
819300090	Heat Shield, 30-inch, Black	
819300030	Heat Shield, 30-inch, White	



**PROPRIETARY AND CONFIDENTIAL**  
THE INFORMATION CONTAINED IN THIS DRAWING IS THE SOLE PROPERTY OF THE PRODUCER. ANY REPRODUCTION IN PART OR AS A WHOLE WITHOUT THE WRITTEN PERMISSION OF THE PRODUCER IS PROHIBITED.

		UNLESS OTHERWISE SPECIFIED:	NAME	DATE
		DIMENSIONS ARE IN INCHES	DRAWN	DMH
		TOLERANCES:	CHECKED	
		FRACTIONAL $\pm 1/16$	ENG APPR.	
		TWO PLACE DECIMAL $\pm 0.06$	MFG APPR.	
		THREE PLACE DECIMAL $\pm 0.03$	Q.A.	
			COMMENTS:	
		MATERIAL 18-gauge Steel		
NEXT ASSY	USED ON	FINISH Powder Coat		
APPLICATION		DO NOT SCALE DRAWING		

TITLE: <b>Heat Shield</b>		
SIZE <b>A</b>	DWG. NO. <b>4HS-30</b>	REV
SCALE: 1:5		SHEET 1 OF 1