

LEGGERO WINE PEGS

BOTTLE CAPACITY

Stores one 750 ml bottle per pair

WINE PEG DIMENSIONS

7 1/16" x 1/2"
(180 mm x 12 mm)

PRODUCT NO.

WP100010 – Aluminum
WP100900 – Matte Black

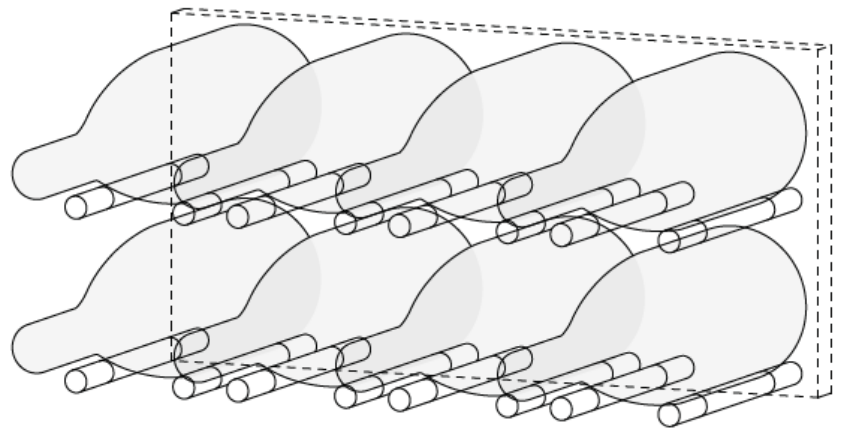
MATERIALS

Aluminum
Silicone O-rings

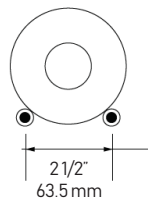
INSTALLATION OPTIONS

Wine pegs require a wall panel for secure installation. The panel thickness and design will determine the type of hardware required.

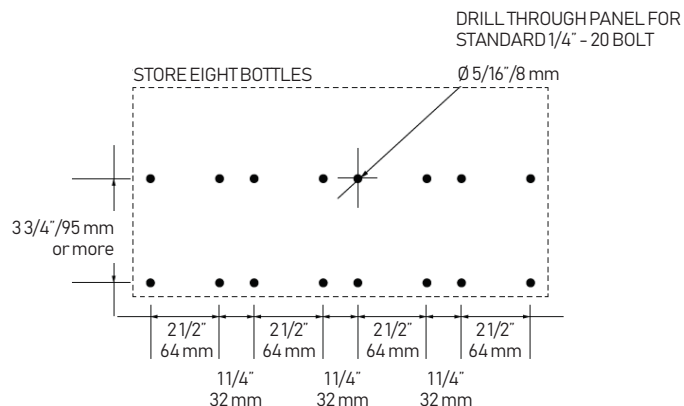
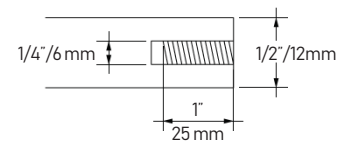
Refer to the installation instructions manual



LAYOUT DIMENSIONS



THREAD DIMENSIONS



PIENO WINE PEGS

BOTTLE CAPACITY PER ROW

X pegs = X-1 bottles

3 pegs:

stores two 750 ml bottles

6 pegs:

stores five 750 ml bottles

9 pegs:

stores eight 750 ml bottles

WINE PEG DIMENSIONS

7 1/16" x 1"

(180 mm x 25 mm)

PRODUCT NO.

WP200010 – Aluminum

WP200900 – Matte Black

MATERIALS

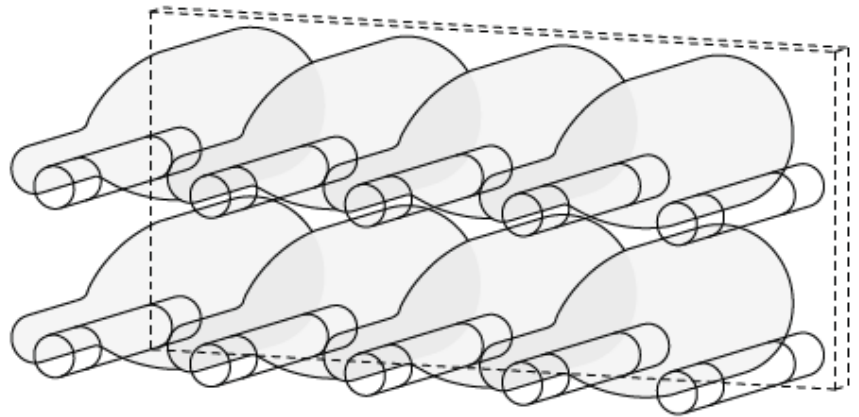
Aluminum

Silicone O-rings

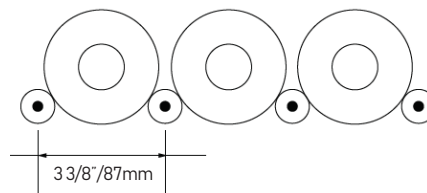
INSTALLATION OPTIONS

Wine pegs require a wall panel for secure installation. The panel thickness and design will determine the type of hardware required.

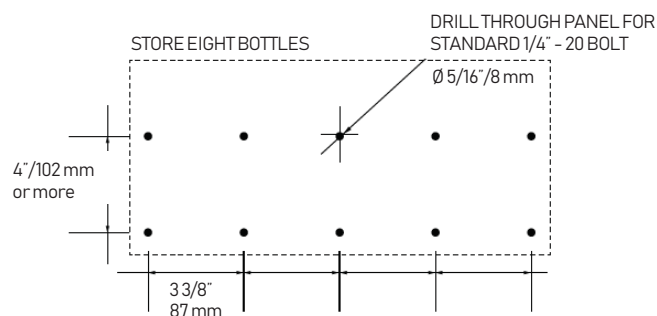
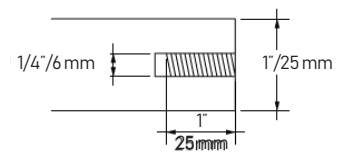
Refer to the installation instructions manual



LAYOUT DIMENSIONS



THREAD DIMENSIONS



VITIGNO 1 WINE PEGS

BOTTLE CAPACITY

Stores one 750 ml bottle per pair

WINE PEG DIMENSIONS

3 3/8" x 3/4"
(85 mm x 19 mm)

PRODUCT NO.

WP301010 – Aluminum
WP301900 – Matte Black

MATERIALS

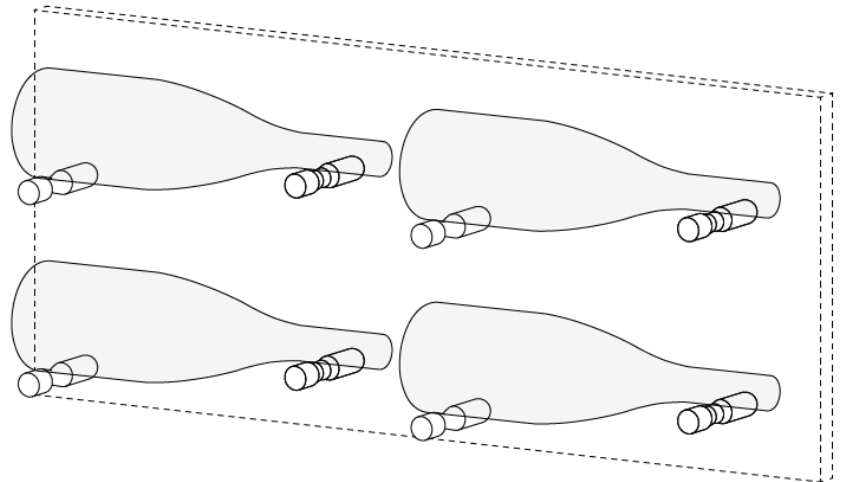
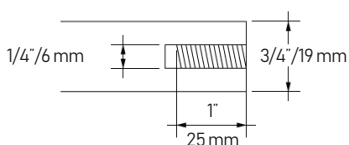
Aluminum
Silicone O-rings

INSTALLATION OPTIONS

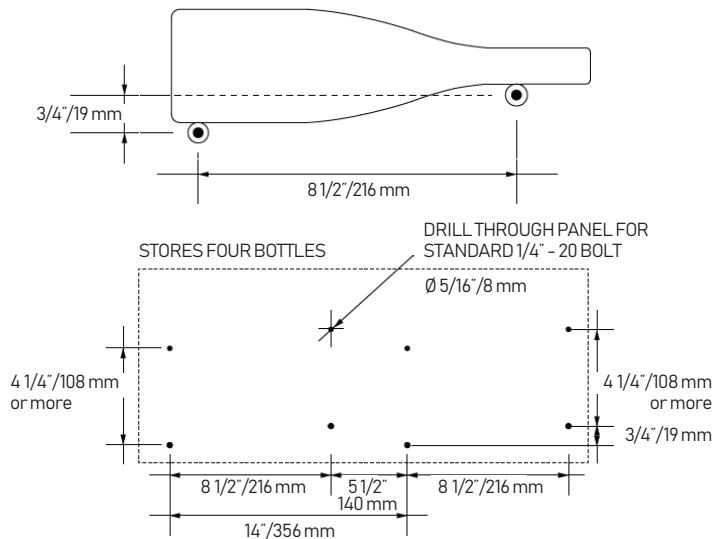
Wine pegs require a wall panel for secure installation. The panel thickness and design will determine the type of hardware required.

Refer to the installation instructions manual

THREAD DIMENSIONS



LAYOUT DIMENSIONS



VITIGNO 2 WINE PEGS

BOTTLE CAPACITY

Stores two 750 ml bottles per pair

WINE PEG DIMENSIONS

7 1/16" x 3/4"
(180 mm x 19 mm)

PRODUCT NO.

WP302010 – Aluminum
WP302900 – Matte Black

MATERIALS

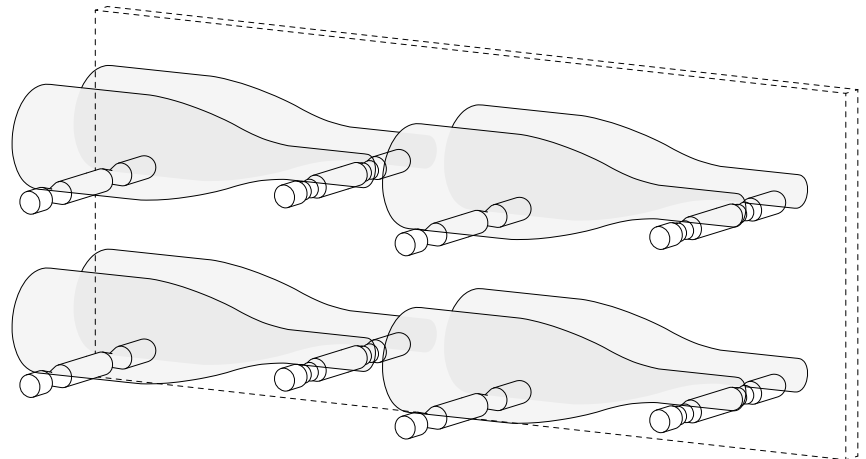
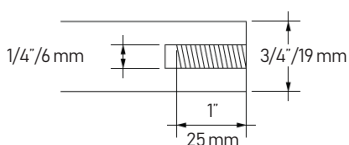
Aluminum
Silicone O-rings

INSTALLATION OPTIONS

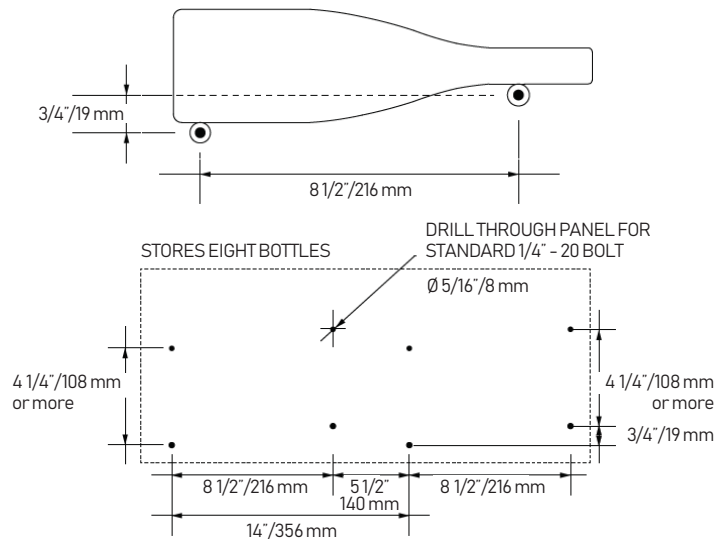
Wine pegs require a wall panel for secure installation. The panel thickness and design will determine the type of hardware required.

Refer to the installation instructions manual

THREAD DIMENSIONS



LAYOUT DIMENSIONS



VITIGNO 3 WINE PEGS

BOTTLE CAPACITY

Stores three 750 ml bottles per pair

WINE PEG DIMENSIONS

1 13/16" x 3/4"
(275 mm x 19 mm)

PRODUCT NO.

WP303010 – Aluminum
WP303900 – Matte Black

MATERIALS

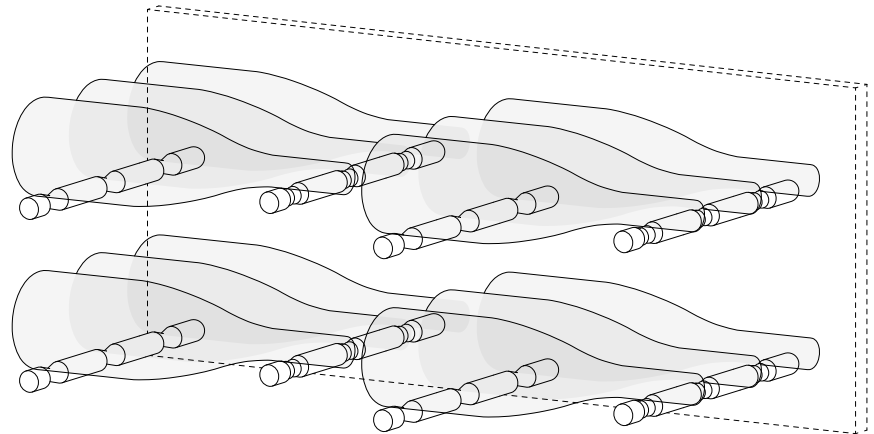
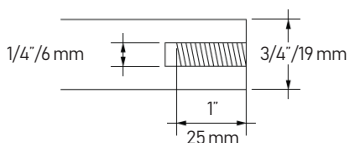
Aluminum
Silicone O-rings

INSTALLATION OPTIONS

Wine pegs require a wall panel for secure installation. The panel thickness and design will determine the type of hardware required.

Refer to the installation instructions manual

THREAD DIMENSIONS



LAYOUT DIMENSIONS

