



JANUARY 2020

WINE PEGS

INSTALLATION INSTRUCTIONS
for flat, heavy, and textured panels

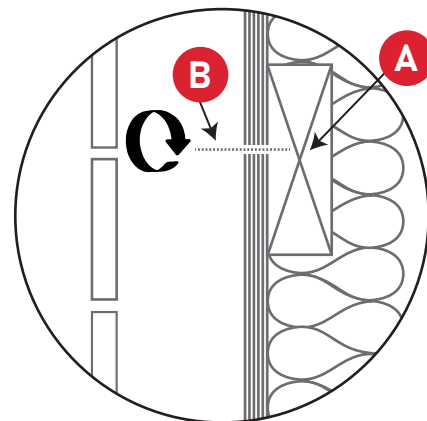
METHOD 1

PANEL INSTALLATION WITH HANGER BOLTS

The hanger bolt panel installation method requires wood framing and is therefore most suitable for new constructions and remodels. It can still be installed in any room as long as you can spot the wood framing inside the walls.

STEP 1

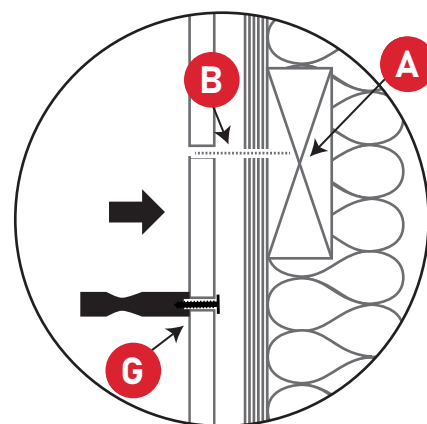
Screw hanger bolts (B) into the solid wood reinforcement (A) and pre-drill the holes in the decorative panel according to the layout of your wine pegs (see online technical datasheet).



STEP 2

Flat decorative panel installation:

Assemble the wine pegs on the decorative panel using the 1 19/32" (40 mm) JC-B connector bolts (G) that are in the kits and suspend the panel on the wall from your hanger bolts (B). Continue to step 3.

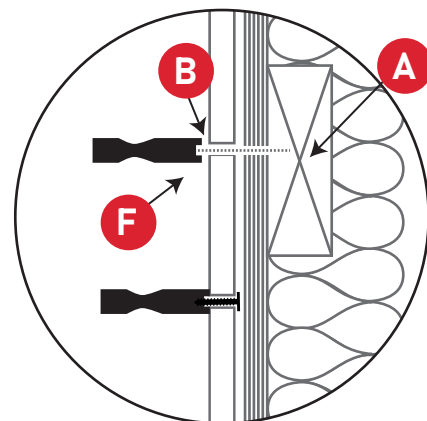


Heavy and/or textured decorative panel installation:

Continue with installation method 3, see page 4.

STEP 3

Secure the decorative panel by screwing the remaining wine pegs onto the hanger bolts (B). To ensure safety, make sure that the thread (F) that goes out to screw the wine pegs is always at least 3/4" (19 mm) and no longer than 1" (25 mm).



Hardware and accessories required for installation are sold separately. See page 5 (B).

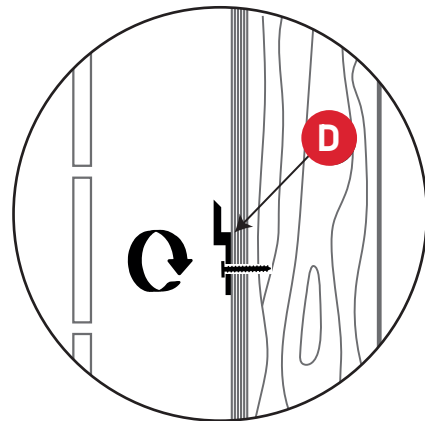
METHOD 2

FLAT PANEL INSTALLATION WITH Z-CLIPS

The Z-clip assembly method requires wood framing and is therefore more suitable for remodels or new constructions. It can still be installed in any room as long as the Z-clips are screwed into the wood frames to ensure strength and safety.

STEP 1

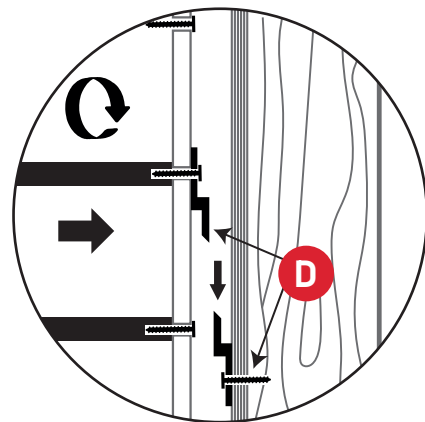
Pre-drill your Z-clip moldings (D). Install one half of the Z-clip molding onto the wall, making sure to screw into the wood frame. Pre-drill the holes in your decorative panel according to the layout of your wine pegs (see online technical datasheet).



STEP 2

Flat decorative panel installation:

Screw the other half of the Z-clip molding (D) onto the back of your decorative panel and install all your wine pegs. Continue to step 3.

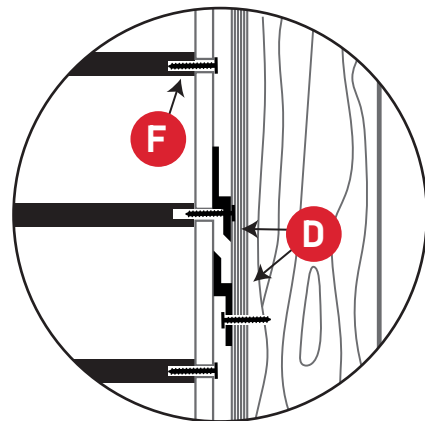


Heavy and/or textured decorative panel installation:

Continue with installation method 3, see page 4.

STEP 3

Install the assembled decorative panel to the wall by clipping the two Z-clip moldings (D) together. To ensure safety, make sure that the thread (F) that goes out to screw the wine pegs is always at least 3/4" (19 mm) and no longer than 1" (25 mm).



Hardware and accessories required for installation are sold separately. See page 5 (D).

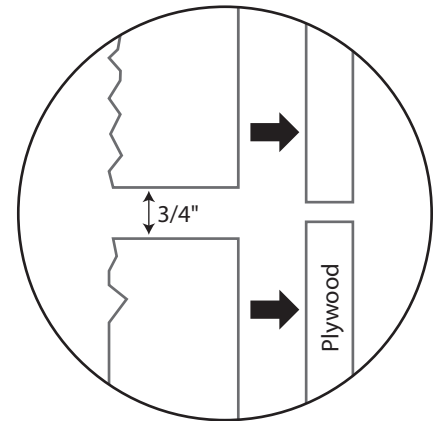
METHOD 3

TEXTURED PANEL INSTALLATION WITH SPACERS

The spacer assembly method is suitable for textured or heavy panels. It is not recommended for Leggero wine pegs.

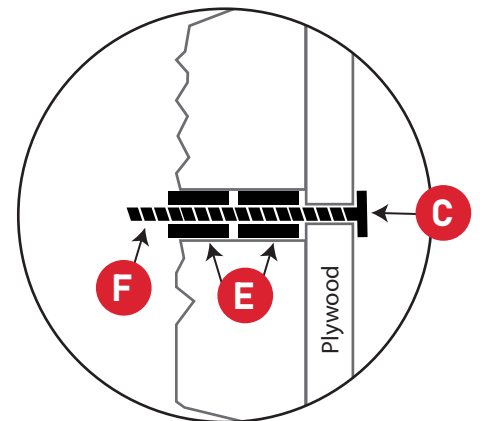
STEP 1

Pre-drill 3/4" (19 mm) diameter holes in the heavy and/or textured decorative panel according to the layout of your wine pegs (see online technical datasheet). Glue it to another panel made of plywood that is also pre-drilled.



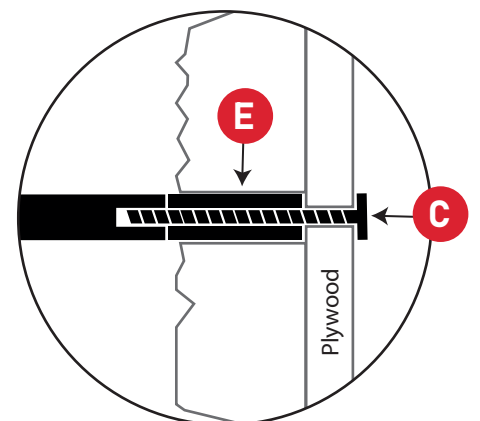
STEP 2

Install the spacers (E) into the heavy and/or textured decorative panel using JCB-B 1 31/32" (50 mm), 2 3/8" (60 mm), or 2 3/4" (70 mm) (C) depending on the thickness of the panel. (Sentence cut off/missing. Install additional spacers as needed depending on the depth of the decorative panel. To ensure safety, make sure that the thread (F) that goes out to screw the wine pegs is always at least 3/4" (19 mm) and no longer than 1" (25 mm).



STEP 3

Install the wine pegs on the JCB-B screw. Refer to method 1 or method 2 to install the panels to the wall.



Hardware and accessories required for installation are sold separately. See page 5 (C, E).

REQUIRED HARDWARE AND ACCESSORIES

HANGER BOLTS

No.	Length	Qty/Box
HZ14112	1 1/2" (38 mm)	3000
HZ14112VP	1 1/2" (38 mm)	25
HZ14134	1 3/4" (44 mm)	2000
HZ14134VP	1 3/4" (44 mm)	25
HZ142	2" (51 mm)	2000
HZ142VP	2" (51 mm)	25
HZ14212	2 1/2" (64 mm)	1500
HZ14212VP	2 1/2" (64 mm)	25
HZ143	3" (76 mm)	1200

Use with hanger bolt drivers

JCB-B BOLTS

No.	Length	Total Panel Thickness	Qty/Box
*JCBB0103C2	1 5/8" (40 mm)	1/2" to 3/4" (12.5 to 19 mm)	1
JCBB0105C2	2" (50 mm)	1" to 1 1/4" (25 to 31 mm)	1
CPJCBB0105C2	2" (50 mm)	1" to 1 1/4" (25 to 31 mm)	100
JCBB0107C2	2 3/8" (60 mm)	1 3/8" to 1 5/8" (35 to 40 mm)	1
JCBB0109C2	2 3/4" (70 mm)	1 5/8" to 2" (41 to 50 mm)	1

*Already included in our kits

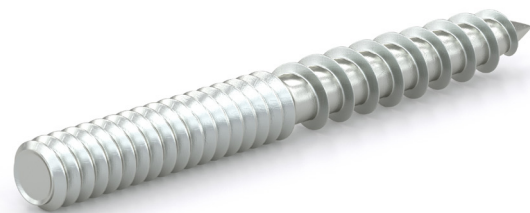
Z-SHAPED MOLDINGS

No.	Length	Height	Width	Thickness	Qty/Box
318708D10	8' (2.44 m)	1 3/8"	1/4"	1/8"	1
318712D10	12' (3.66 m)	1 3/8"	1/4"	1/8"	1

WINE PEG SPACERS

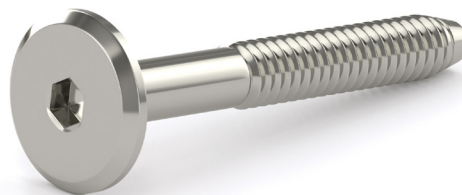
No.	Length	Qty/Box
WPS3810	3/8" (9.5 mm)	100
WPS1210	1/2" (12 mm)	75
WPS0110	1" (25 mm)	35

B



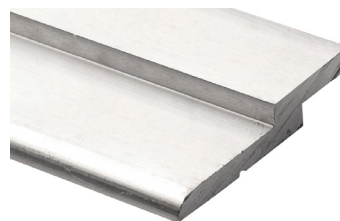
Screw size : 1/4" (6.35 mm)

C



Screw size : 1/4" (6.35 mm)

D



E



Diameter : 3/4" (19 mm)