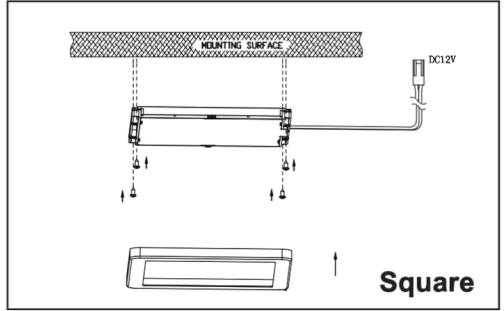
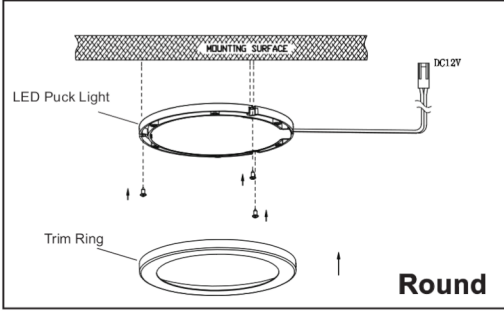


Instruction Sheet

Surface Mount



IMPORTANT: Read all instructions before installing fixtures. Retain for future reference.

- To be used only with listed class 2 power supplies.
- Always consider the voltage drop effect when linking fixtures together.
- To extend driver life span, do not exceed 80% of driver rated load.

SAFETY: For your safety, this fixture must be wired in accordance to local electrical codes and ordinances. All work should be done by a qualified electrician.

WARNING: Make certain the main power is OFF before starting installation or attempting any maintenance.

Indoor installation only.

1-PACK INCLUDED COMPONENTS:

- 1 × LED puck light
- Trim ring
- Mounting hardware

ASSEMBLY INSTRUCTIONS:

1. Open packaging and place all components onto a clean surface.
2. Turn power OFF from the electrical panel before starting installation.
3. **For surface mounting:**
 - a. Remove magnetic face plate from fixture.
 - b. Secure the fixture to the surface with the included screws.
 - c. Snap the face plate to the fixture, threading the cable through the notch in the face plate.
4. Once assembly is complete, turn on power to confirm fixture is working properly.