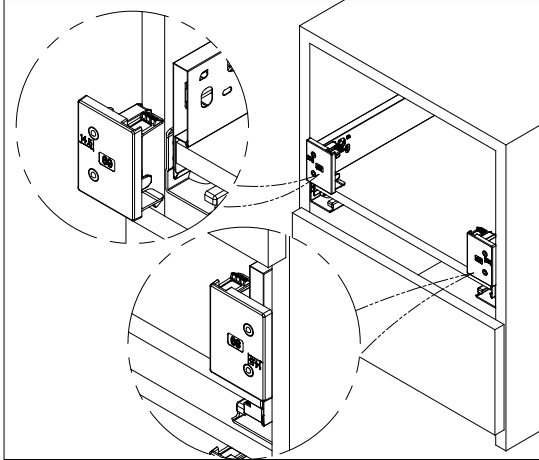
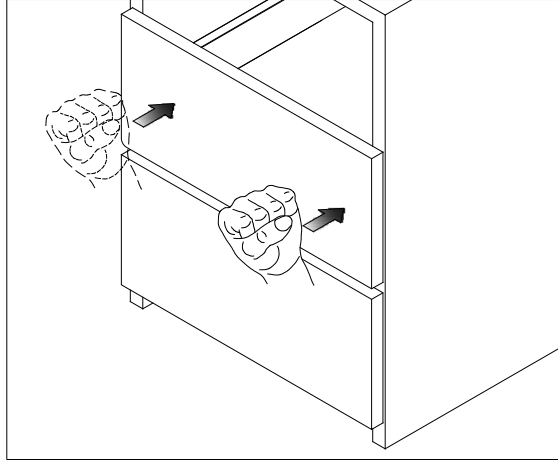


# #808JIG89 OPTIMIZ-R - Drawer Front Marking Jig

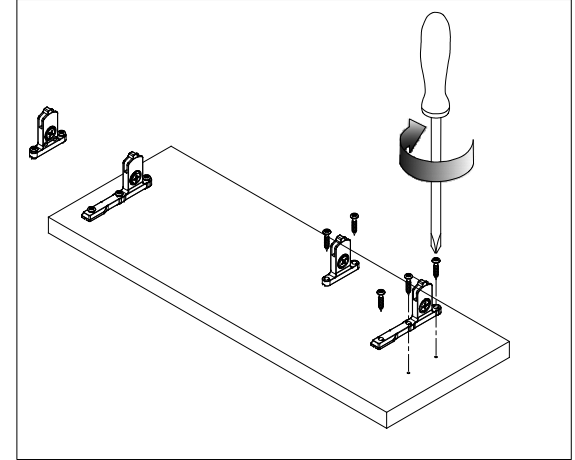
## OPTIMIZ-R 89mm & 121mm



Insert marking jigs #808JIG89 into both left and right drawer sides.

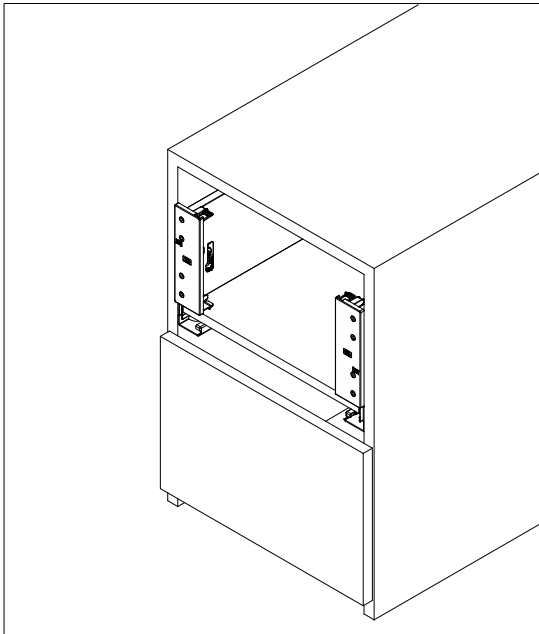


Position drawer front and tap to mark.

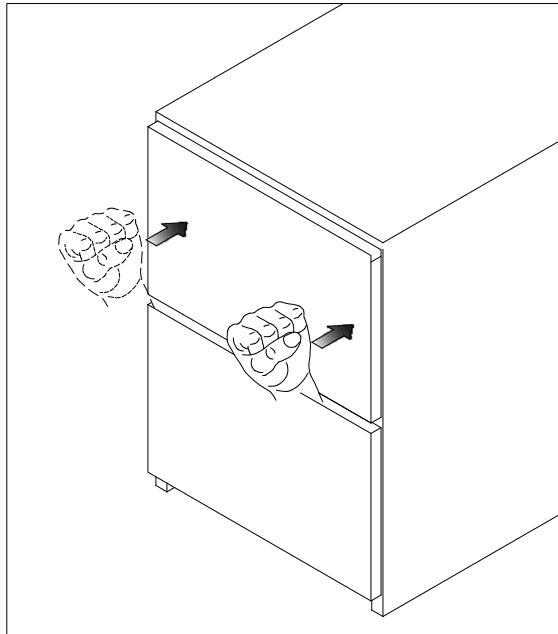


**89mm drawer:** Mount all screws by marks  
**121mm drawer:** Mount two bottom screws by marks, and then mount the top screw.

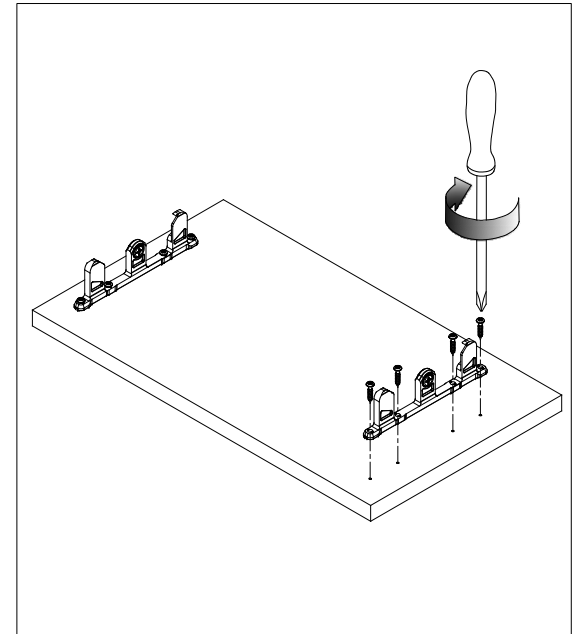
## OPTIMIZ-R 185mm



Insert marking jigs #808JIG185 into both left and right drawer sides.



Position drawer front and tap to mark.



Mount all screws by marks.