

400 CFM Range Hood blower in Stainless Steel finish.



▶ Application

- Air ventilation system to use above a kitchen stove.

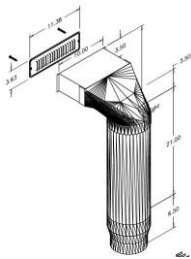
▶ Advantages et benefits

- HVI Certified 400 CFM Ventilator in Stainless Steel.
- 3-speed rotary switch.
- 2 bright LED lights of 2.8 Watts (250 lumens) with a rated life of 25 000 hours.
- Heat Sentry automatically turns unit on when excessive heat is detected.
- Max 450 (pre-installation)
- Quick-release aluminium mesh filter (dishwasher safe).
- Power requirements : 120 VAC, 60 Hz – 2.3 AMPS
- Sones On High = 6
- Optional Interior Ductwork kit is available if no outdoor venting is possible (item 90360100)

▶ Description

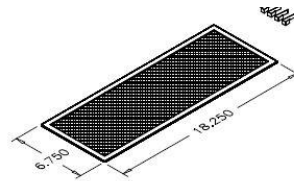
Functional and Utility!

Richelieu offers this Range Hood blower in a Stainless Steel finish with a power of 400 CFM (with a vertical 6" round duct). Ideal to ventilate harmful cooking fumes out of your home while catching grease particles in the filter.



Item: 90360100

*Note the top 3.5" will NOT fit into a 30" chimney

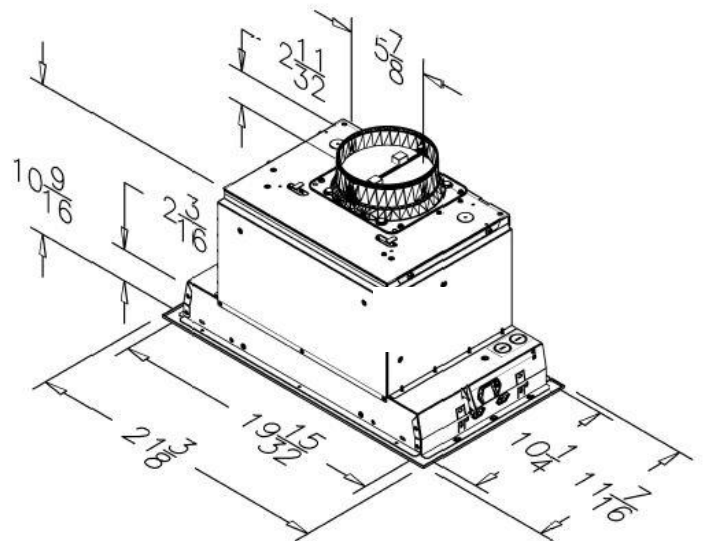
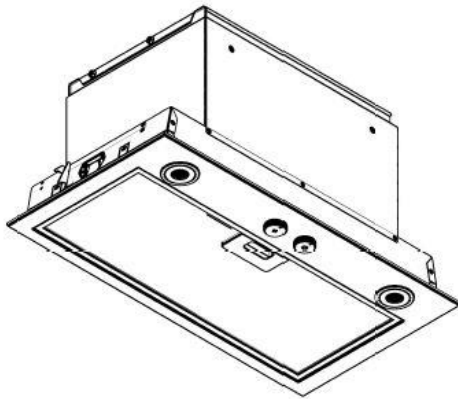


Item: 903720007

No.	Description	Product Dimensions (W x D x H)
20400170	RANGE HOOD BLOWER 400 CFM S.st.	542.925mm x 290.5125mm x 268.2875mm 21 3/8" x 11 7/16" x 10 9/16"
90360100	Interior ductwork Kit	* required only if outdoor venting is not possible
903720007	Replacement charcoal filter (for Int. Duct. Kit)	* For Interior Ductwork Kit only

TECHNICAL SPECIFICATIONS

Range Hood Blower of 400 CFM.



Drawing shown with round adapter