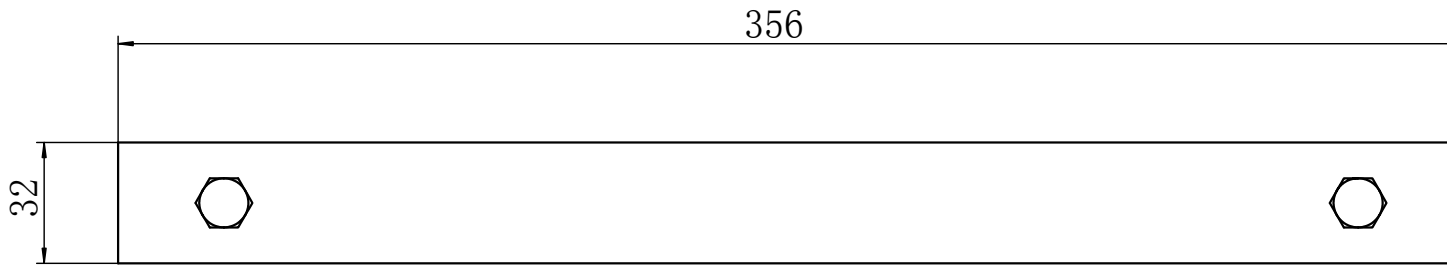
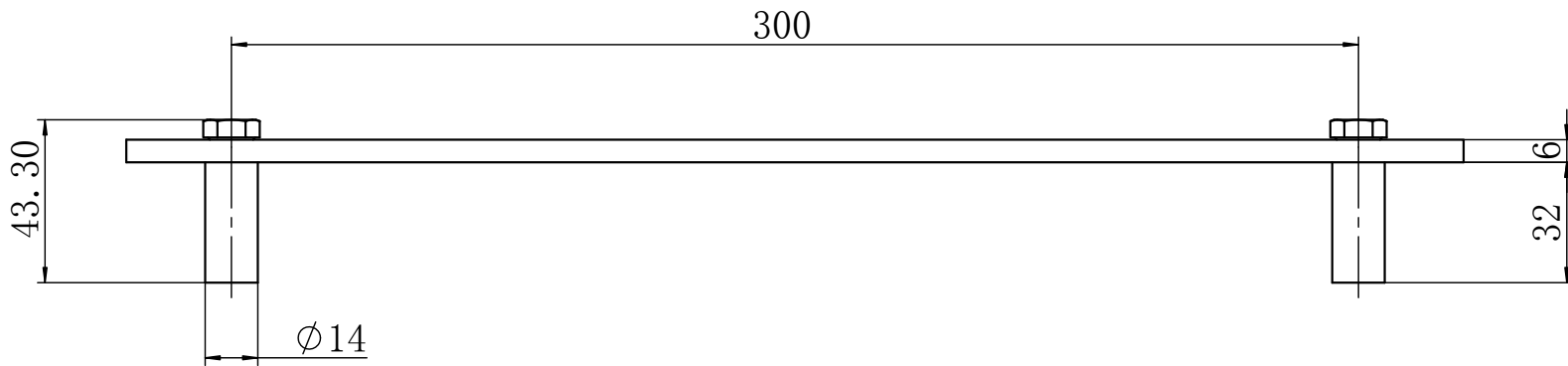
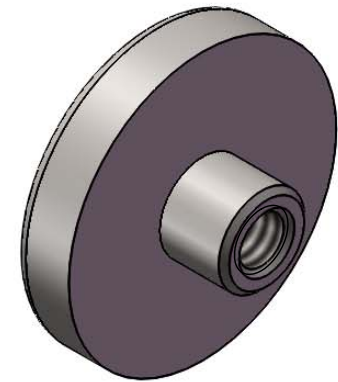
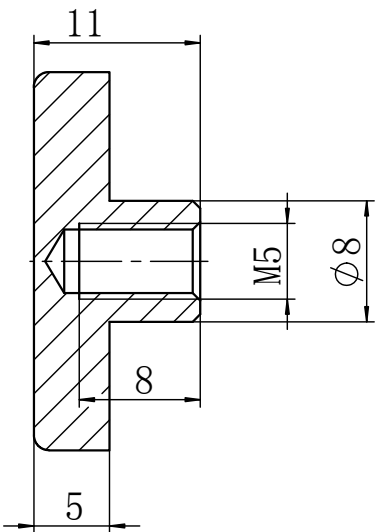
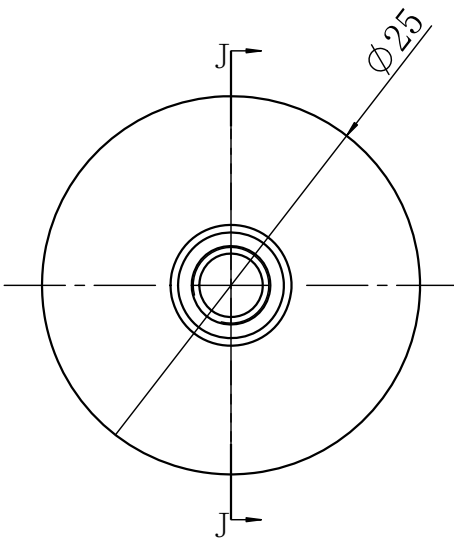
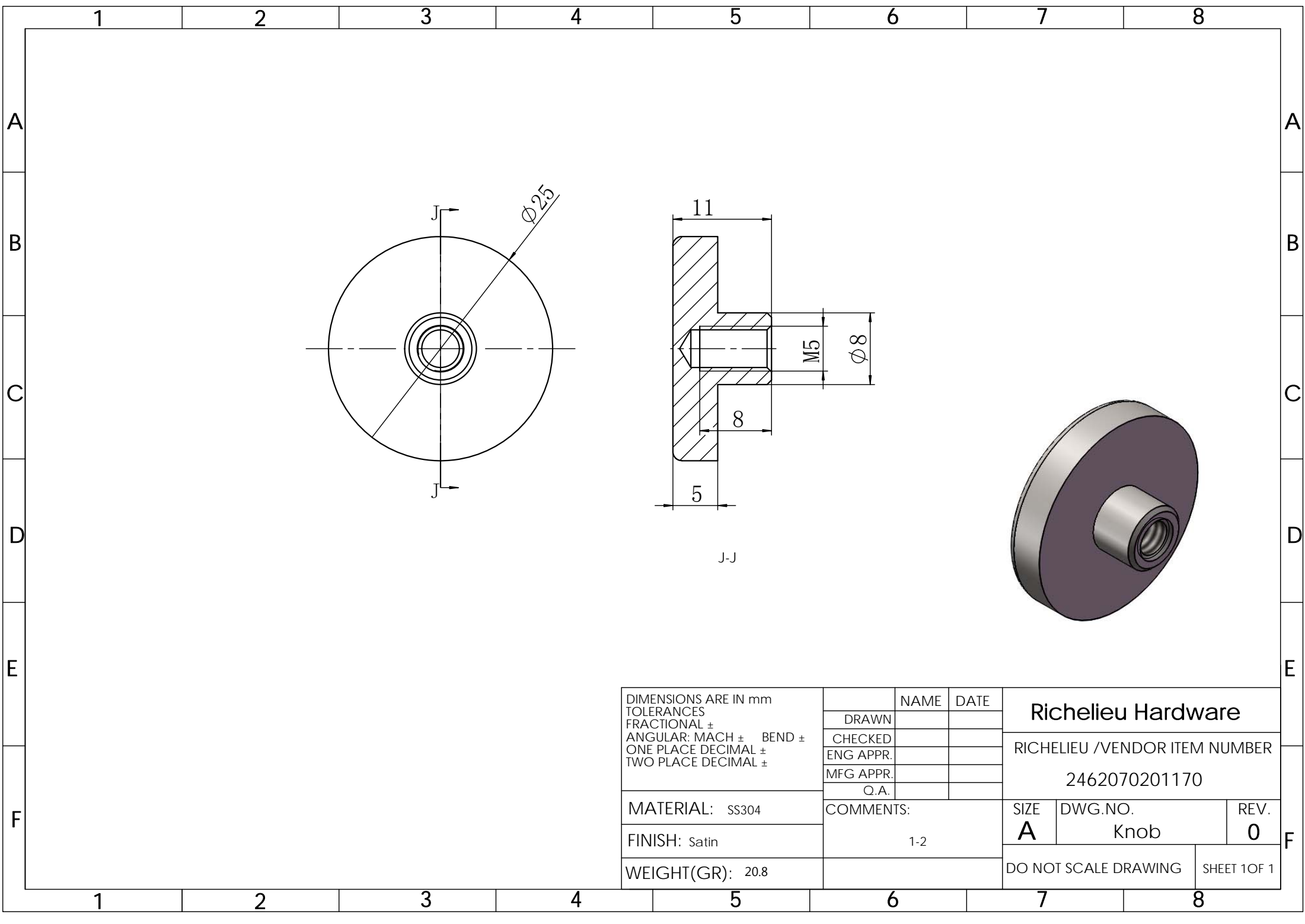


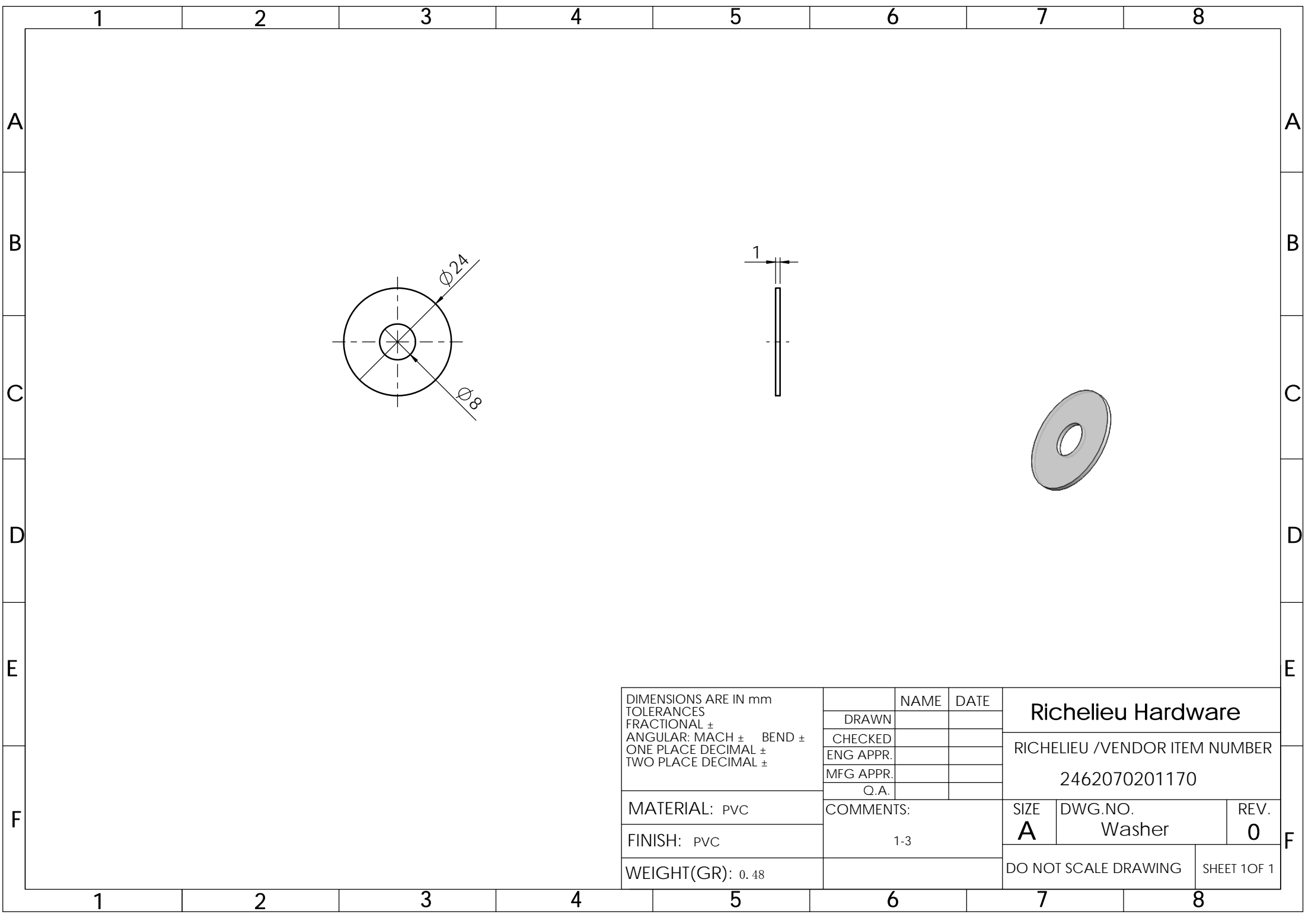
Item	DWG NO	Quantity	DIMENSIONS ARE IN mm TOLERANCES FRACTIONAL ± ANGULAR: MACH ± BEND ± ONE PLACE DECIMAL ± TWO PLACE DECIMAL ±	NAME	DATE	Richelieu Hardware		
1	Handle	1	MATERIAL: SS304 FINISH: Satin	DRAWN		RICHELIEU /VENDOR ITEM NUMBER 2462070201170		
2	Knob	2		CHECKED				
3	Washer	2	WEIGHT(GR): 800.95	ENG APPR.		SIZE	DWG.NO.	REV.
4	Washer	2		COMMENTS:		A	Handle	0
5	Screw	2		MFG APPR.		DO NOT SCALE DRAWING		SHEET 1OF 1
				Q.A.				



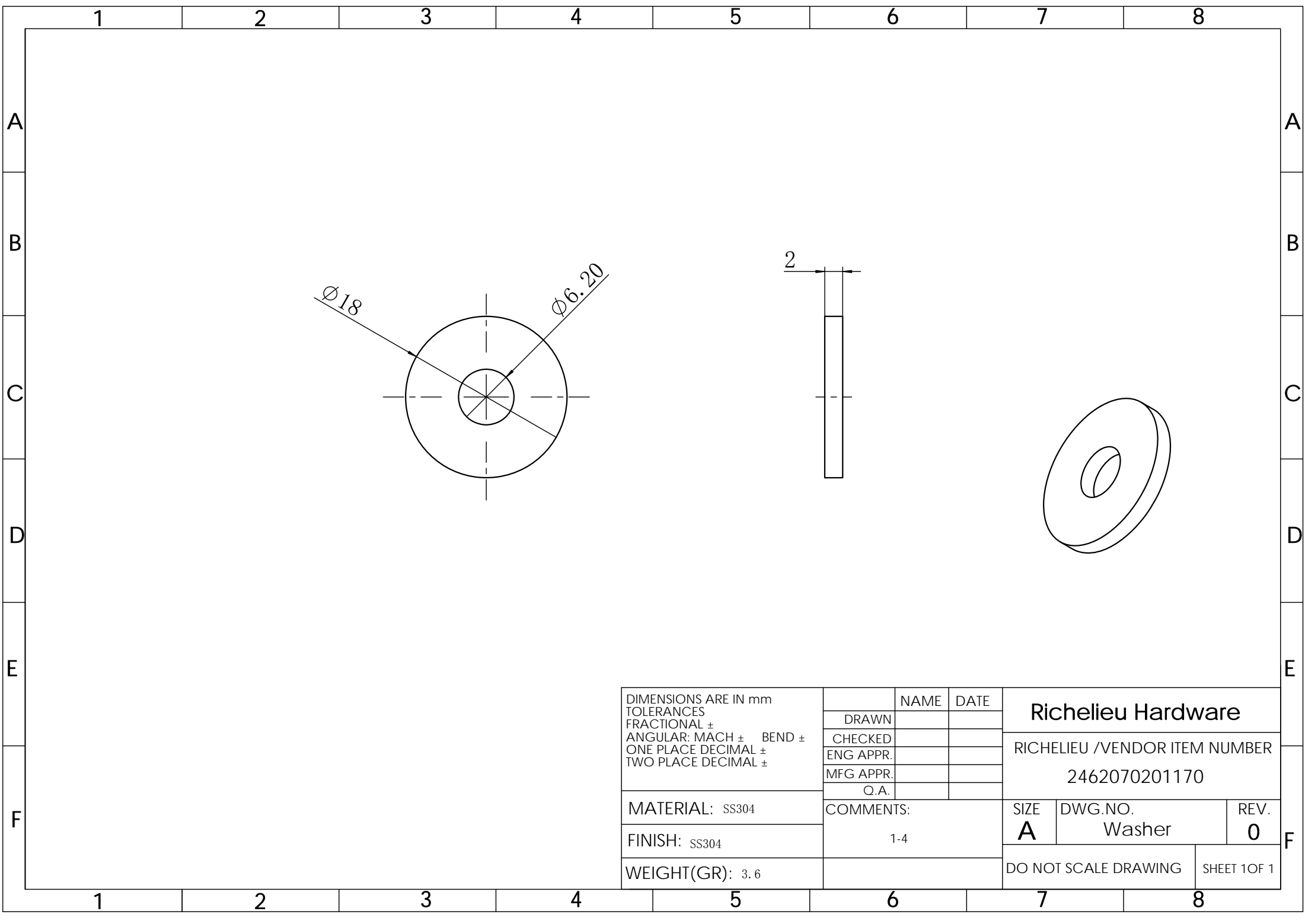
DIMENSIONS ARE IN mm TOLERANCES FRACTIONAL \pm ANGULAR: MACH \pm BEND \pm ONE PLACE DECIMAL \pm TWO PLACE DECIMAL \pm		NAME	DATE	Richelieu Hardware		
	DRAWN					RICHELIEU /VENDOR ITEM NUMBER 2462070201170
	CHECKED					
	ENG APPR.					
	MFG APPR.					
	Q.A.			SIZE	DWG.NO.	REV.
MATERIAL: SS304	COMMENTS:		A		Handle	0
FINISH: Satin	1-1		DO NOT SCALE DRAWING		SHEET 1 OF 1	
WEIGHT(GR): 612.75						



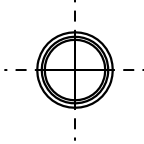
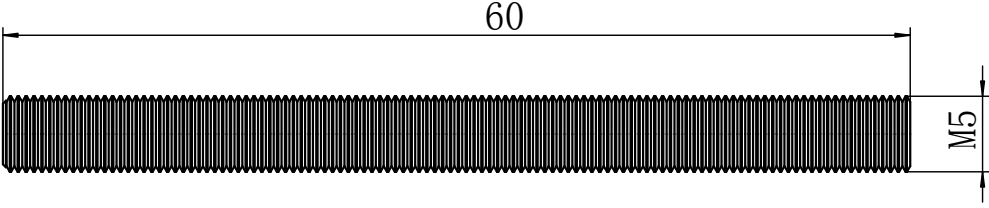
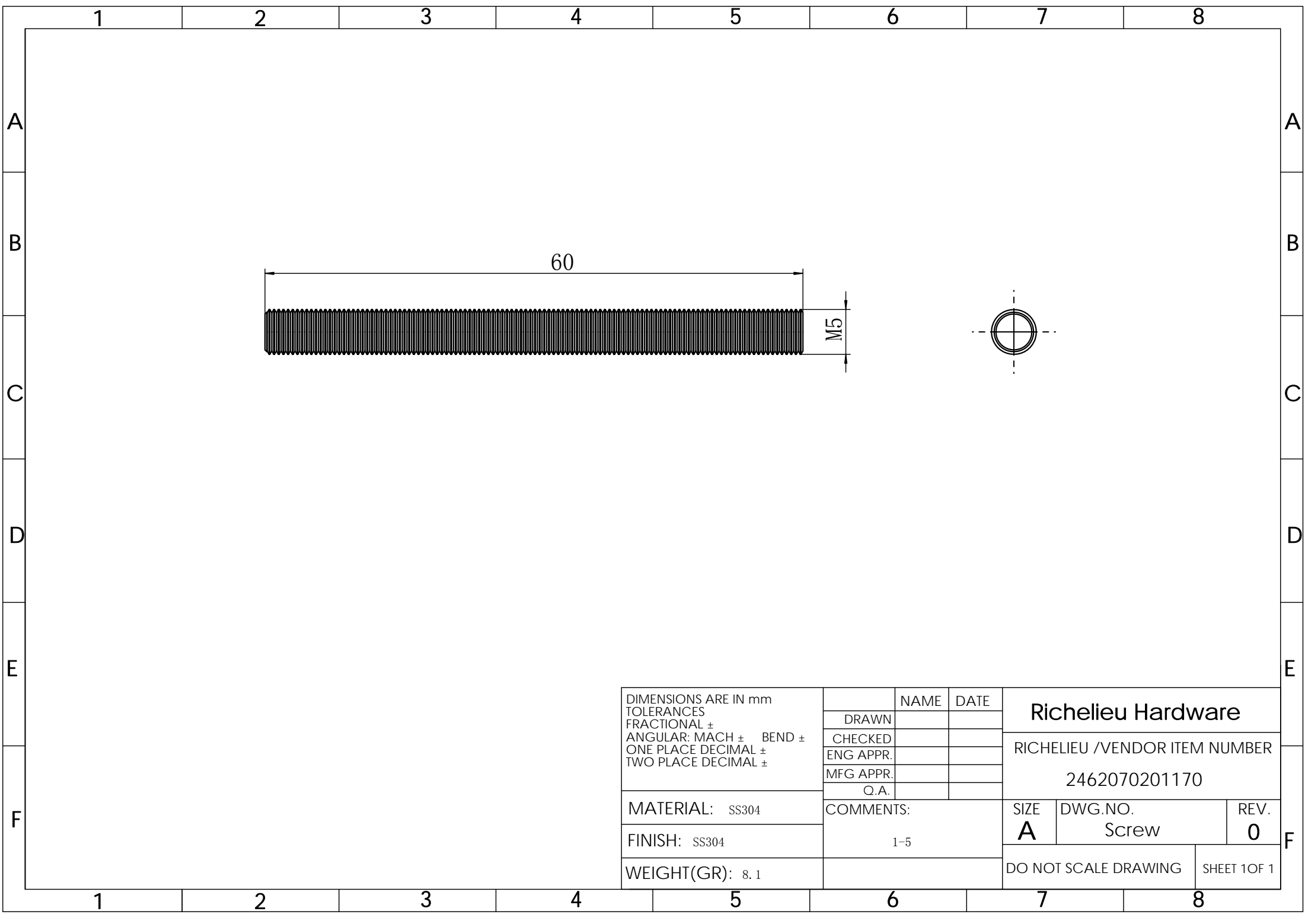
DIMENSIONS ARE IN mm TOLERANCES FRACTIONAL ± ANGULAR: MACH ± BEND ± ONE PLACE DECIMAL ± TWO PLACE DECIMAL ±		NAME	DATE	Richelieu Hardware		
	DRAWN					RICHELIEU /VENDOR ITEM NUMBER 2462070201170
	CHECKED					
	ENG APPR.					
	MFG APPR.					
	Q.A.			SIZE	DWG.NO.	REV.
MATERIAL: SS304	COMMENTS: 1-2		A Knob		0	
FINISH: Satin			DO NOT SCALE DRAWING		SHEET 1OF 1	
WEIGHT(GR): 20.8						



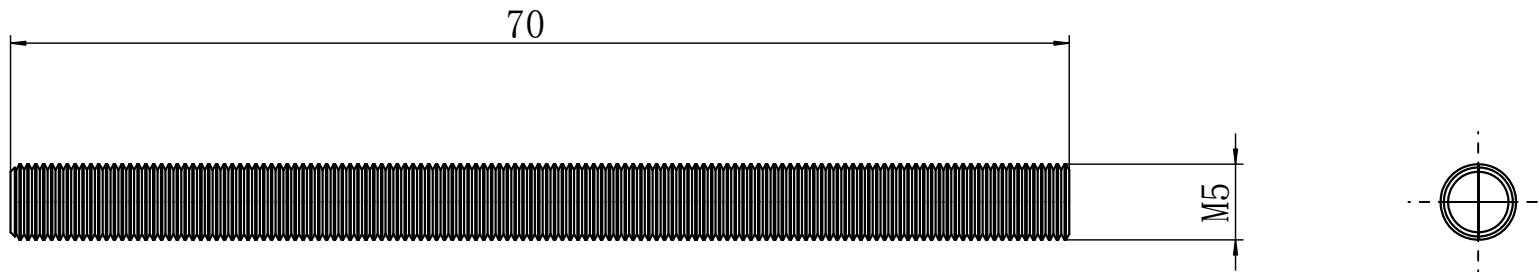
DIMENSIONS ARE IN mm TOLERANCES FRACTIONAL ± ANGULAR: MACH ± BEND ± ONE PLACE DECIMAL ± TWO PLACE DECIMAL ±		NAME	DATE	Richelieu Hardware		
	DRAWN					RICHELIEU /VENDOR ITEM NUMBER 2462070201170
	CHECKED					
	ENG APPR.					
	MFG APPR.					
	Q.A.			SIZE	DWG.NO.	REV.
MATERIAL: PVC	COMMENTS:			A	Washer	0
FINISH: PVC	1-3			DO NOT SCALE DRAWING		SHEET 1OF 1
WEIGHT(GR): 0.48						



DIMENSIONS ARE IN mm TOLERANCES FRACTIONAL \pm ANGULAR: MACH \pm BEND \pm ONE PLACE DECIMAL \pm TWO PLACE DECIMAL \pm		NAME	DATE	Richelieu Hardware		
	DRAWN					RICHELIEU /VENDOR ITEM NUMBER 2462070201170
	CHECKED					
	ENG APPR.					
	MFG APPR.					
	Q.A.			SIZE	DWG.NO.	REV.
MATERIAL: SS304	COMMENTS:			A	Washer	0
FINISH: SS304	1-4			DO NOT SCALE DRAWING		SHEET 1OF 1
WEIGHT(GR): 3.6						



DIMENSIONS ARE IN mm TOLERANCES FRACTIONAL ± ANGULAR: MACH ± BEND ± ONE PLACE DECIMAL ± TWO PLACE DECIMAL ±		NAME	DATE	Richelieu Hardware		
	DRAWN					RICHELIEU /VENDOR ITEM NUMBER 2462070201170
	CHECKED					
	ENG APPR.					
	MFG APPR.					
	Q.A.			SIZE	DWG.NO.	REV.
MATERIAL: SS304	COMMENTS: 1-5		A Screw		0	
FINISH: SS304			DO NOT SCALE DRAWING		SHEET 1OF 1	
WEIGHT(GR): 8.1						



DIMENSIONS ARE IN mm TOLERANCES FRACTIONAL ± ANGULAR: MACH ± BEND ± ONE PLACE DECIMAL ± TWO PLACE DECIMAL ±		NAME	DATE	Richelieu Hardware		
	DRAWN					RICHELIEU /VENDOR ITEM NUMBER 2462070201170
	CHECKED					
	ENG APPR.					
	MFG APPR.					
	Q.A.			SIZE	DWG.NO.	REV.
MATERIAL: SS304	COMMENTS: 2		A Screw		0	
FINISH: SS304			DO NOT SCALE DRAWING		SHEET 1OF 1	
WEIGHT(GR): 10						