

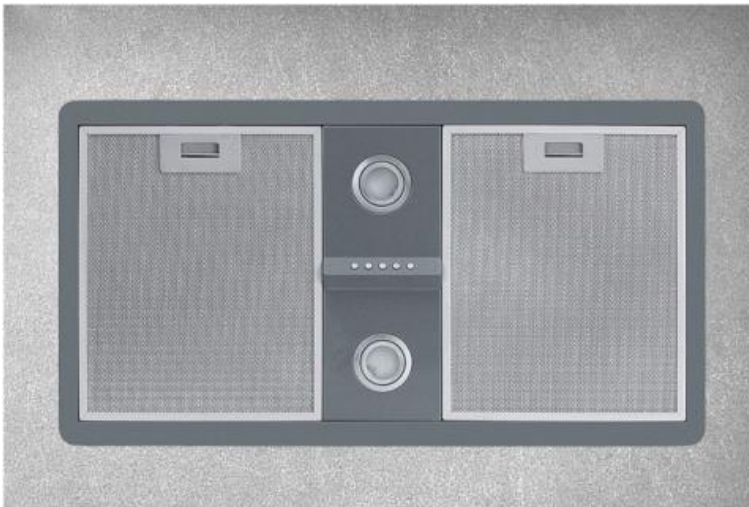


Built-in motor to be installed in a decorative hood or inside a wall cabinet.

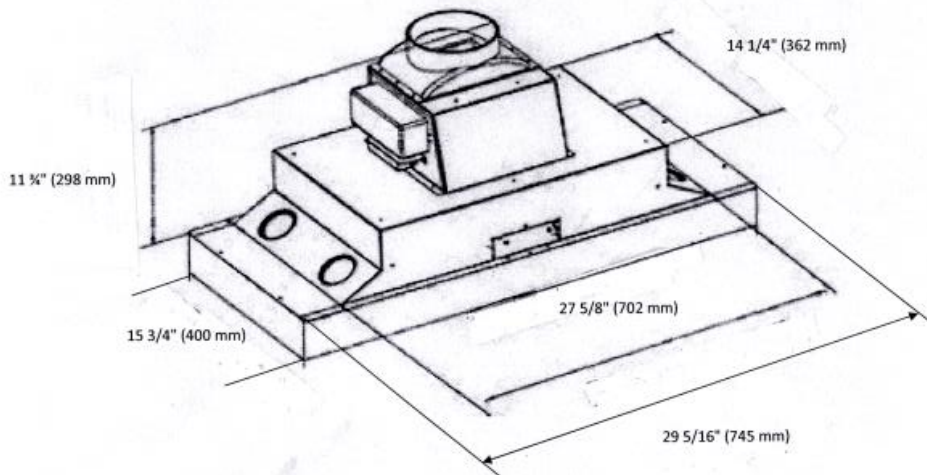


Advantages

- Built-in motor for installation in an existing wall cabinet.
- Power of 500 CFM
- Each model is delivered with 2 LED lights of 2 Watts
- 3 speeds electronic control with time delay
- Made of 430 stainless steel.
- Aluminum filters with 3 layers dish-washer proof.
- Designed for external exhaust only. **Cannot be converted to recycling mode system.**
- CUL, UL certified



Code	Description	Steel type
54030170	BUILT-IN HOOD 30"500CFM S.ST.	430



54030170 (model 30")