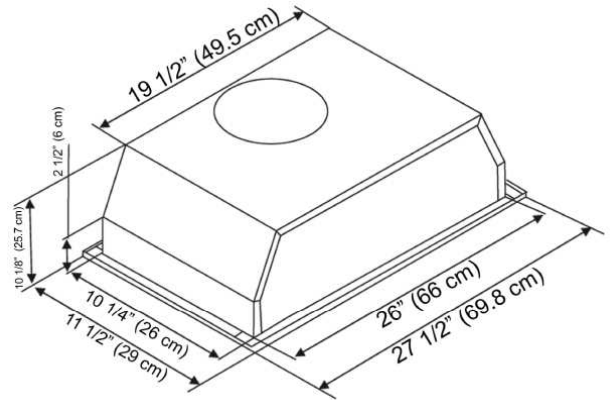




Advantages

- Available in 28'' width.
- Motor of 450 CFM.
- Built-in model.
- Electronic model with 3 speeds and temporized delay after 15 minutes.
- 2 halogens bulbs included (20W).
- 5 layer aluminum filters (2) dishwasher safe.
- 2 sones at minimum speed, 6.5 sones at maximum speed
- CUL certified.



Codes	Description	Product Dimensions W x D X H
54128170	Built-in hood 28'' 450CFM stainless steel	27 1/2'' x 11 1/2'' x 10 1/4''