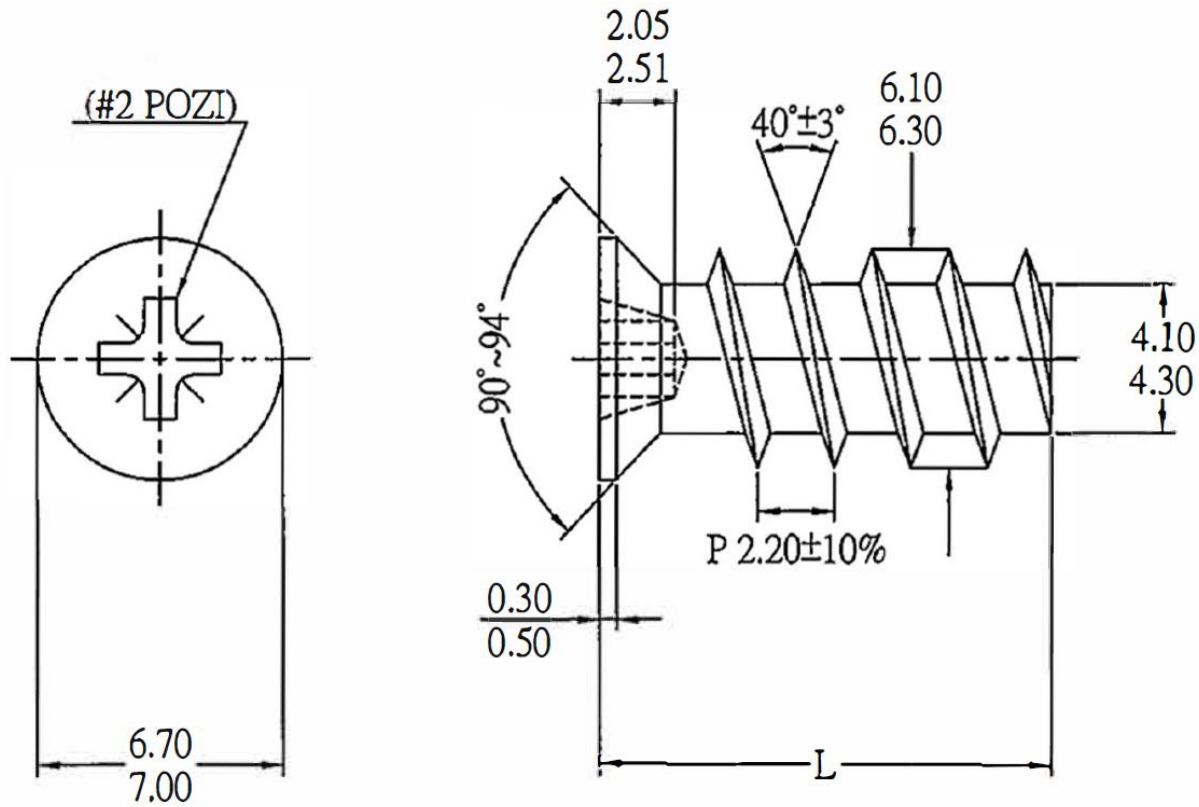




EURO SCREW, FLAT COUNTERSUNK HEAD , #2 POZI
DRIVE , FLAT POINT



UNIT : mm

SIZE	TOLERANCE
M6.3 - 2.2 x L	+0 - 0.5