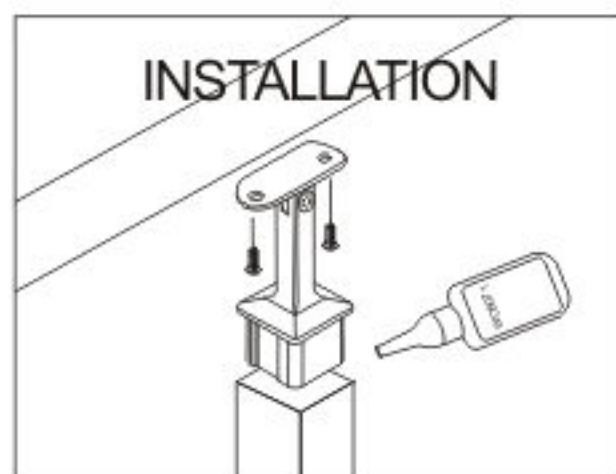
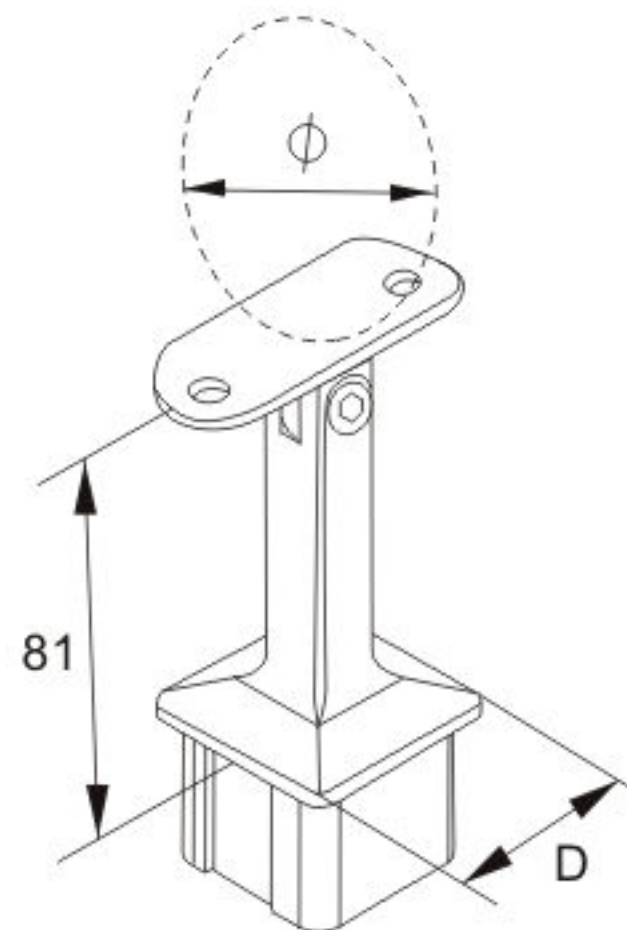


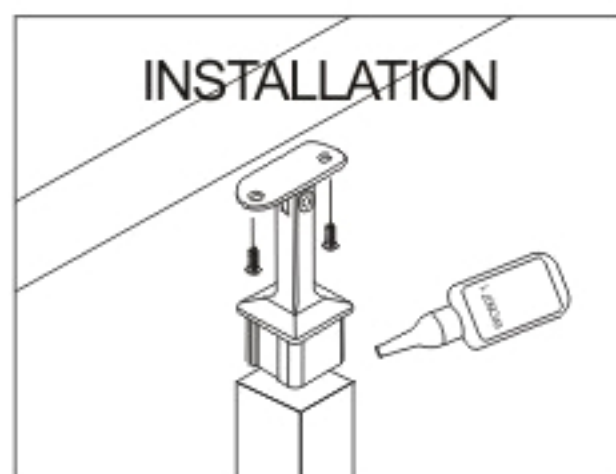
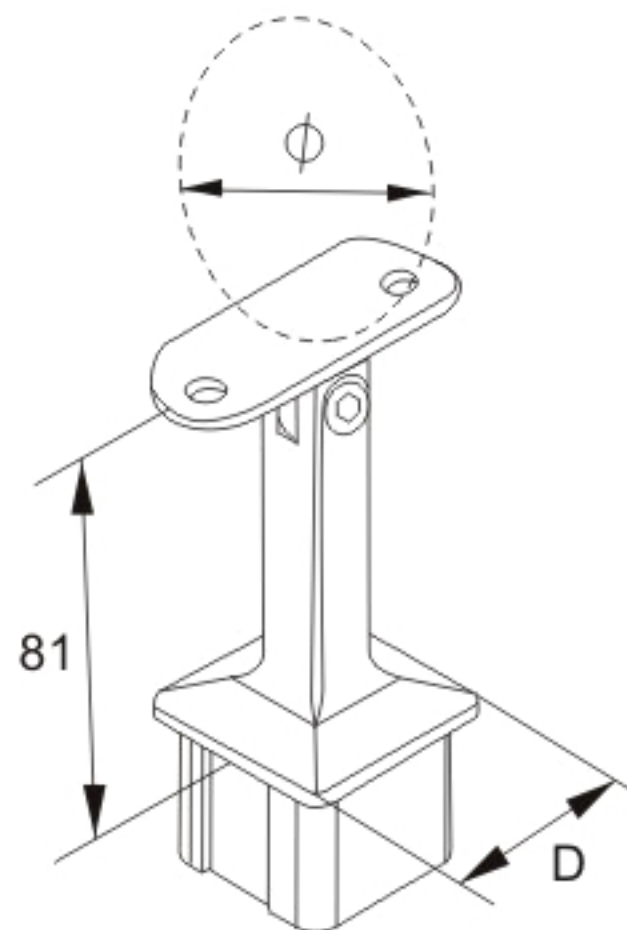
Angle Adjustable Handrail Bracket Square Tube Mount



Model	Material	ϕ (mm)	D(mm)
HR20424738170	SS 304	38.1	40
HR20624738170	SS 316	38.1	40
HR20424750170	SS 304	50.8	40
HR20624750170	SS 316	50.8	40

Support de main courante avec angle ajustable

Montage sur tube carré



Modèle	Matériel	ϕ (mm)	D(mm)
HR20424738170	Al 304	38.1	40
HR20624738170	Al 316	38.1	40
HR20424750170	Al 304	50.8	40
HR20624750170	Al 316	50.8	40