


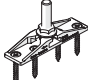


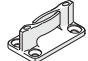

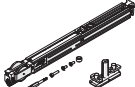


## Set for single door, without running track


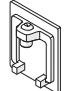




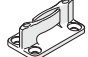


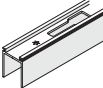
	code
HAWA-Junior 80/Z, set for single door	11705
HAWA-Junior 80/Z, with 2 track stops	26040
HAWA-Junior 80/Z, set for single door, with 1 soft closing mechanism SoftMove 80	23087
HAWA-Junior 80/Z, set for single door, with 2 soft closing mechanisms SoftMove 80	23088

For two-panel sliding doors please order two sets for single doors.

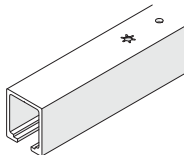
## Set comprising

	11705	26040	23087	23088	code
 Two-wheeled trolley, M10, with plastic wheels	2	2	2	2	10407
 Two-way suspension plate, with hanger bolt M10 and fixing screws	2	2	2	2	10489
 Track stop, adjustable retaining force	1	2	2	2	24497
 Screw-on rubber door stop	1	1	1	1	10629
 Guide, rattle proof, for screw mounting to floor, groove width 10 mm ( $\frac{3}{8}$ " ), black plastic	1	1	1	1	14427
 Vertical adjustment pin	1	1	1	1	10795
 Soft closing mechanism SoftMove 80 for HAWA-Junior 80	-	-	1	2	22444

## Accessories

Caution: Minor differences in colour are possible		code
 Guide profile, plastic black, 1300 mm ( $4'3\frac{3}{8}$ " ), groove mounted, set of 10 pieces		14540
 Cover cap for running track, metal, suitable to both sides, 1 piece	dull chromium finish	24956
 Bottom door stop with centering assembly	dull chromium finish	20773
	stainless steel effect	21473
 Two-wheeled trolley, M10, with plastic wheels, set of 10 pieces		25952
 Track stop, adjustable retaining force	1 piece	24497
	set of 10 pieces	25962
 Two-way suspension plate, with hanger bolt M10 and fixing screws, set of 10 pieces		25955
 Guide, rattle proof, for screw mounting to floor, groove width 10 mm ( $\frac{3}{8}$ " ), black plastic, set of 10 pieces		25958
 Guide, rattle proof, for screw mounting to floor, groove width 10 mm ( $\frac{3}{8}$ " ), black plastic		25369
 Spring-loaded door stop for door weight up to 80 kg (176 lbs.) integrated in HAWA-Junior 80 running track		25370
 Set for mountable and demountable running track to HAWA-Junior 80 (details: → Seite 68–69)		

## Running tracks

Caution: Hole positions vary	mm/inch	code
	1400 ( $4'7\frac{1}{8}$ " )	10189
	1600 ( $5'3"$ )	10190
	1800 ( $5'10\frac{7}{8}$ " )	10191
	2000 ( $6'6\frac{3}{4}$ " )	10192
	2200 ( $7'2\frac{5}{8}$ " )	10193
	2500 ( $8'2\frac{7}{16}$ " )	10194
	3000 ( $9'10\frac{1}{8}$ " )	18532
	4000 ( $13'1\frac{1}{2}$ " )	18533
	6000 ( $19'8\frac{3}{16}$ " )	10186
	cut to size	10188

Running track, alu plain anodized, predrilled

## Accessories

Accessories: → pages 68–83

### Order specifications

- Type and quantity of sets
- Quantity and length of running track
- Quantity of guide profiles

### Optional order specifications

- Type and quantity of bottom door stop
- Quantity of cover caps for running track

### Planning/installation

For planning and execution please use the installation instructions code 17689. (→ [www.hawa.ch](http://www.hawa.ch) → HAWA-Productfinder)

For convenient operation of sliding doors with soft closing mechanisms, use protruding handles instead of shell handles.

HAWA-Junior hardware may also be used for glass or metal sliding doors. Please request the corresponding documentation.