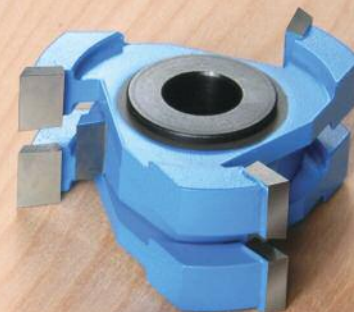


INDUSTRIAL Carbide Tipped • 3-Wing Shaper Cutters



Max RPM

2-1/2" to 4" Dia. = 10,000 RPM

4-1/2" Dia. = 9,000 RPM

5-1/2" Dia. = 8,000 RPM

⚠ Warning: See machine owner's manual for RPM guidelines.

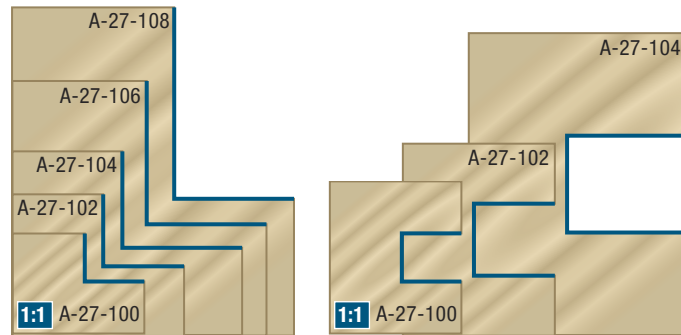
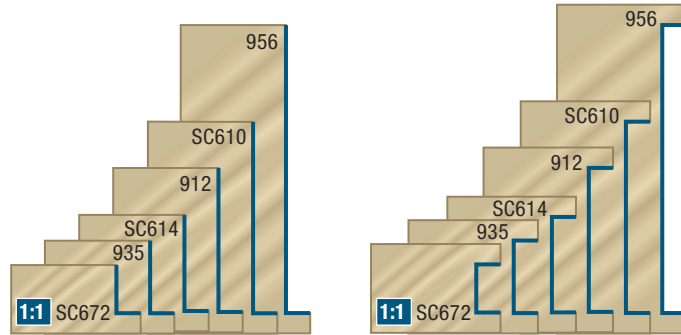
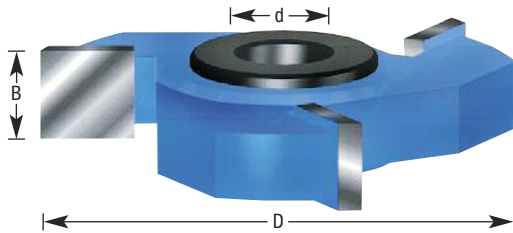
⚠ Warning: Before use, read shaper cutter safety guidelines on page 374.



CARBIDE-TIPPED SHAPER CUTTERS

Over 250 different cutters for all your shaping needs. Extra-thick carbide tips offer many resharpenings and longer tool life. RPM rating: 12,000 and under. Cutters are furnished with either 1/2", 3/4" or 1-1/4" bore.

STRAIGHT EDGE



ØD	B	Ød	Tool No.
1-7/8	1/4	1/2 & 3/4	SC672
2-1/2	1/4	1 & 1-1/4	SC674
2-5/8	1/4	1/2 & 3/4	918 †
2-3/4	1/4	1/2 & 3/4	SC671
2-7/8	1/4	1/2 & 3/4	SC611
2-7/8	1/4	1 & 1-1/4	SC613
3-1/8	1/4	1/2 & 3/4	917
3-3/8	1/4	1 & 1-1/4	SC673
3-9/16	1/4	1 & 1-1/4	SC615
4	1/4	1-1/4	A-27-100
2-5/8	3/8	1/2 & 3/4	953 †
4	3/8	1-1/4	A-27-102
2	1/2	1/2	SC614
2-1/2	1/2	1/2 & 3/4	948
2-5/8	1/2	1/2 & 3/4	954
4	1/2	1-1/4	A-27-104
2-5/8	3/4	1/2 & 3/4	912
4	3/4	1-1/4	A-27-106
2	1	1/2	SC610
2-5/8	1	1/2 & 3/4	955
4	1	1-1/4	A-27-108
4	1-1/4	1-1/4	A-27-110
2-5/8	1-1/2	1/2 & 3/4	956
4	1-3/4	1-1/4	A-27-114
2-5/8	2	1/2 & 3/4	SC632
4	2	1-1/4	A-27-116

†Due to size, furnished with only one 1/2" x 3/4" bushing.

PRESTIGE™ MIGHTY ADJUSTABLE SUPER-FINE DADO/GROOVER SET

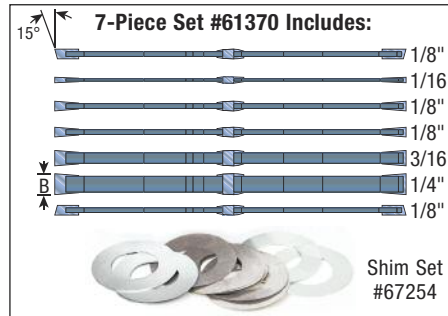
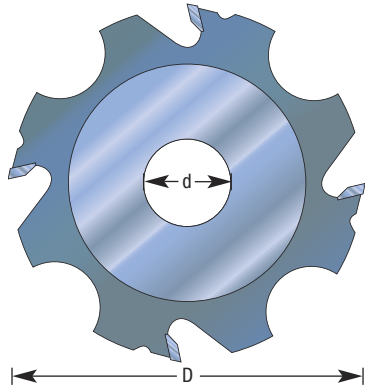
For Shapers • Accommodates Undersized Plywood • 4-Wing, ATB & FT Grind • 1/4" to 1"



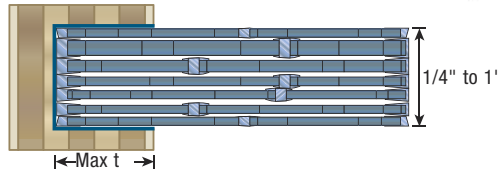
Our Prestige™ Dado Set cuts perfectly smooth edges, flat-bottom cuts and grooves both along and across the grain that are free of splinters or rough edges. This set consists of seven cutters made of a hard wearing steel tool body complete with four tungsten carbide tips. Ideal for producing different dado cuts, slots and rabbeting in softwood, hardwood and man-made boards on a shaper machine. Width can be adjusted as required using included shim set.

ØD	Hook Angle	Teeth	ATB Angle	Grind	Kerf Range	Ød	Groovers	RPM	Tool No.
4	-10°	4	15°	ATB	1/4 to 1	3/4	1/16, (2)1/8, 3/16, 1/4	6,100-10,500	61370*

* Includes shim set #67254.



61370



GROOVERS

4-Wing • FT Grind

ØD	Hook Angle	B	Teeth	Ød	Max t	RPM	Tool No.
4	15°	1/16	4	3/4	1-1/4	6,100-10,500	61372
4	15°	1/8	4	3/4	1-1/4	6,100-10,500	61374
4	15°	3/16	4	3/4	1-1/4	6,100-10,500	61376
4	15°	1/4	4	3/4	1-1/4	6,100-10,500	61378

PRESTIGE™ MIGHTY DADO SHIM SET

The perfect accessory for the above dado/groover set. Each set includes 19 shims in various thicknesses for precise adjustments of your dado/groover set width. Especially useful when working with plywood and other materials that are slightly under or oversized.

Each Shim Set #67254 includes the following:

Quantity Shims	Color	Thickness		Ød	ØD
		Inch	mm		
5	Silver	0.002	0.05	3/4	2-1/4
6	Clear	0.010	0.25	3/4	2-1/4
8	White	0.020	0.50	3/4	2-1/4

Each Prestige™ Mighty Adjustable Dado/Groover Set Includes:

[Instruction Manual](#)

With Dado Configurations Including Set-Ups for Undersized Plywood



Perfect for Crosscutting and Ripping These Materials:



Melamine/Laminate

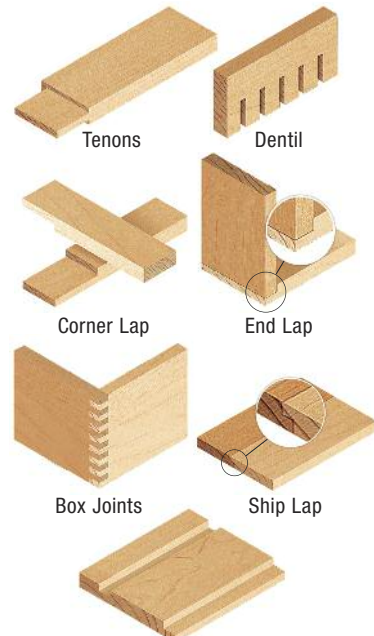


Veneered Plywood

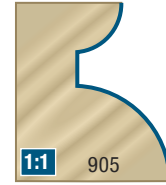
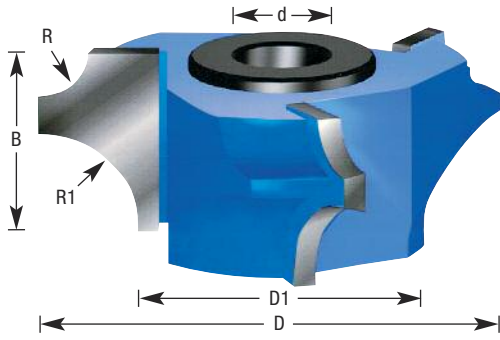


Hardwood

A stacking dado set is an ideal tool for cutting dados, grooves and tenons for strong mortise-and-tenon joinery.

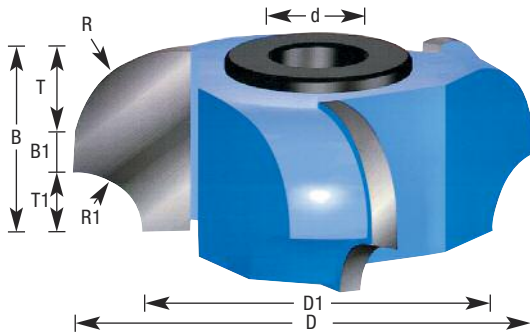


CORNER ROUND



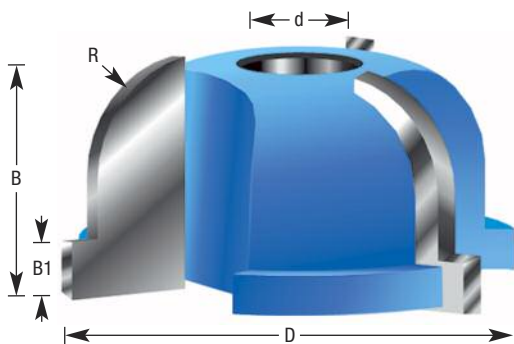
ØD	ØD1	B	R	R1	Ød	Rub Collar	Tool No.
2-5/8	1-5/8	15/16	1/4	1/2	1/2 & 3/4	C-005** C-011**	905
3-5/32	2-5/32	15/16	1/4	1/2	1 & 1-1/4	C-051***	SC680

COVE & CORNER ROUND



ØD	ØD1	B	B1	T	T1	R	R1	Ød	Rub Collar	Tool No.
2-5/8	2	15/16	1/8	1/2	5/16	1/2	5/16	1/2 & 3/4	C-005**	950
2-3/4	1-3/4	1-3/8	3/8	1/2	1/2	1/2	1/2	1/2 & 3/4	C-006**	SC410
3	1-3/4	1-9/16	5/16	5/8	5/8	5/8	5/8	1/2 & 3/4	C-006**	SC412
3-1/4	1-3/4	1-7/8	3/8	3/4	3/4	3/4	3/4	1/2 & 3/4	C-006**	SC414
3-3/4	1-3/4	2-1/4	1/4	1	1	1	1	1/2 & 3/4	C-006**	SC416

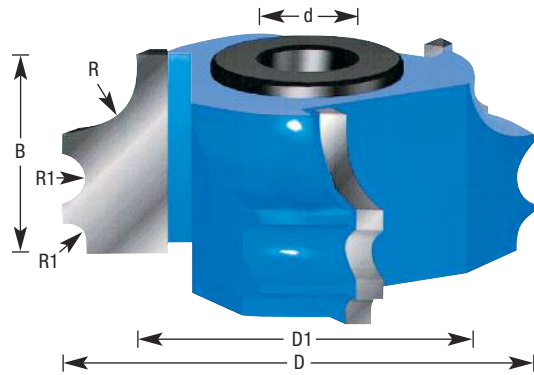
FLUTE & COVE



ØD	B	B1	R	Ød	Tool No.
2	1	1/4	1/2	1/2	SC600

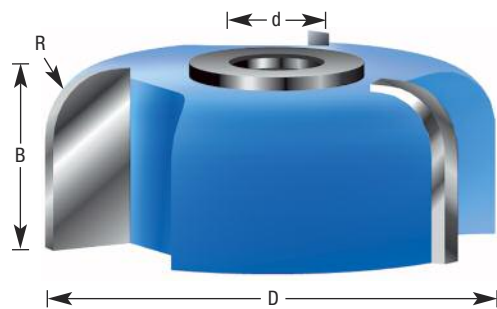
*Rub collar for 1/2" arbor only! **Rub collar for 3/4" arbor only! ***Rub collar for 1-1/4" arbor only!

1/8" TO 3/8" CORNER ROUND & 1/4" BEAD



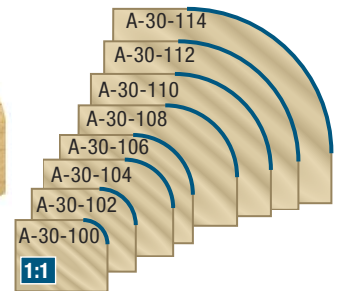
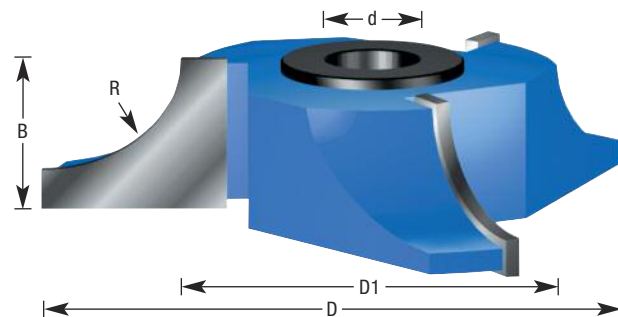
ØD	ØD1	B	R	R1	Ød	Rub Collar	Tool No.
2	1-1/4	1	3/8	1/8	1/2	C-002*	SC602
2-5/8	1-7/8	15/16	3/8	1/8	1/2 & 3/4	C-008**	952

DROP LEAF COVE



ØD	B	R	Ød	Rub Collar	Tool No.
2-5/8	1	3/8	1/2 & 3/4	C-008**	SC634

CORNER ROUND



Counter-clockwise rotation: Wood face-down

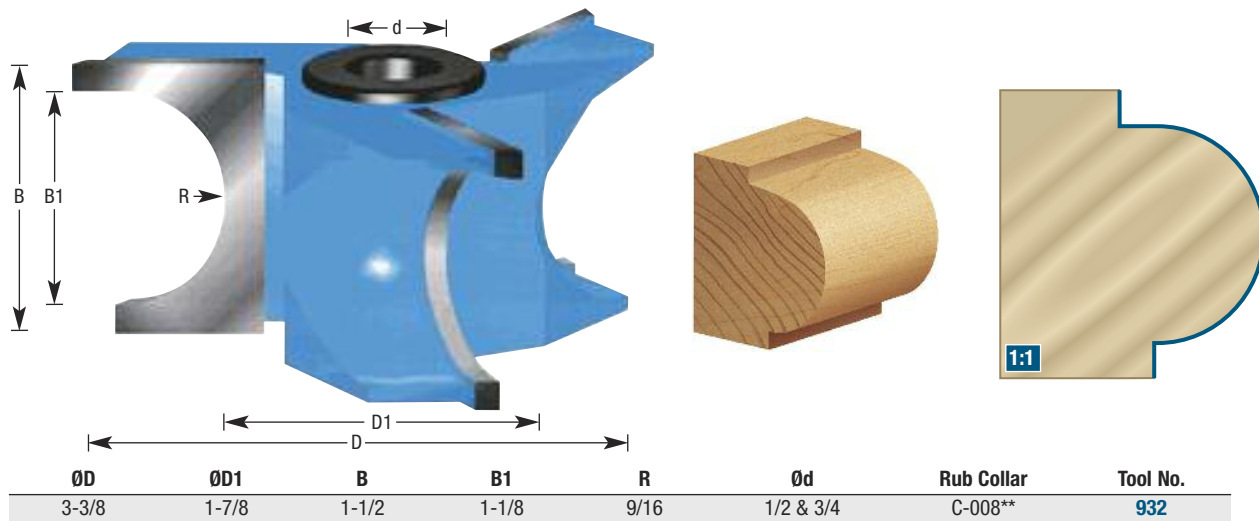
Description	ØD	ØD1	R	B	Ød	Rub Collar	Tool No.
Corner Round	4	3-3/4	1/8	3/8	1-1/4	C-038	A-30-100
Corner Round	4	3-5/8	3/16	7/16	1-1/4	C-037	A-30-102
Corner Round	4	3-1/2	1/4	1/2	1-1/4	C-035	A-30-104
Corner Round	4	3-3/8	5/16	9/16	1-1/4	C-034	A-30-106
Corner Round	4	3-1/4	3/8	5/8	1-1/4	C-033	A-30-108
Corner Round	4	3	1/2	3/4	1-1/4	C-032	A-30-110
Drop Leaf-Bead	2-5/8	1-5/8	1/2	1	1/2 & 3/4	C-005**	SC636
Corner Round	4	2-3/4	5/8	7/8	1-1/4	C-031	A-30-112
Corner Round	3-5/8	2-1/8	3/4	1	1/2 & 3/4	C-011**	959
Corner Round	4	2-1/2	3/4	1	1-1/4	C-017	A-30-114
Corner Round	4-1/2	2-1/2	1	1-1/4	1-1/4	C-017	A-30-116
Corner Round	5	2-1/2	1-1/4	1-1/2	1-1/4	C-017	A-30-118

Replacement 'T' bushing(s) for #959 & #SC636: #BU-550.

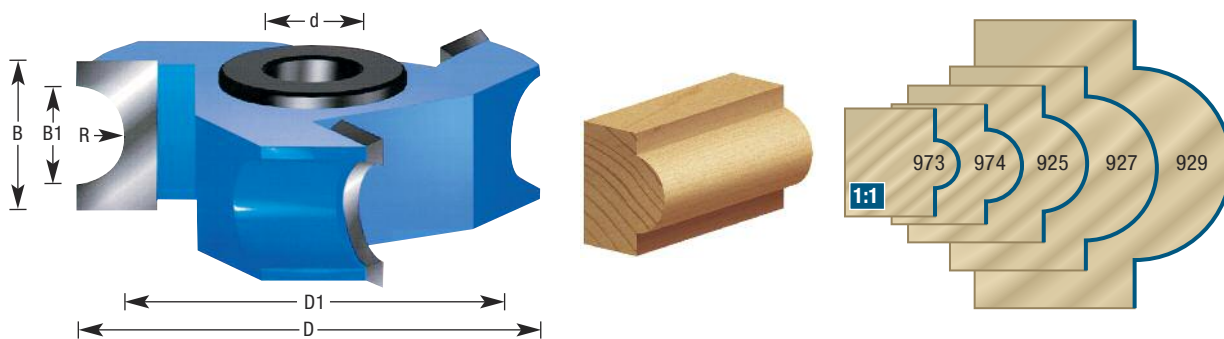
*Rub collar for 1/2" arbor only! **Rub collar for 3/4" arbor only! ***Rub collar for 1-1/4" arbor only!

For rub collars & bushings, see pages 371-372.

STAIR TREAD NOSE



BULL NOSE

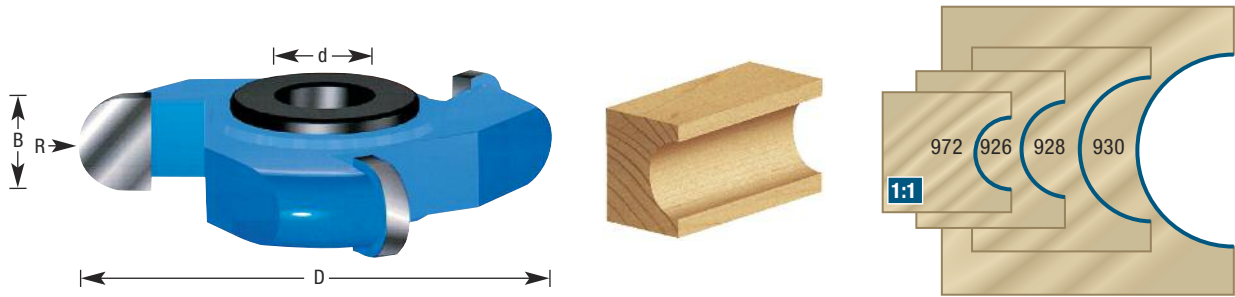


Description	ØD	ØD1	B	B1	R	Ød	Rub Collar	Tool No.
5/16 Bead	3	2-11/16	7/16	5/16	5/32	1/2 & 3/4	C-019 **	SC424
1/4 Bead	4	3-3/4	1/2	1/4	1/8	1-1/4	C-038	A-29-100
1/4 Bead	2-5/8	2-3/8	9/16	1/4	1/8	1/2 & 3/4	C-015 **	973 †
3/8 Bead	2-5/8	2-1/4	5/8	3/8	3/16	1/2 & 3/4	C-025 **	974
3/8 Bead	4	3-5/8	11/16	3/8	3/16	1-1/4	C-037	A-29-102
1/2 Bead	2-5/8	2-1/8	13/16	1/2	1/4	1/2 & 3/4	C-011 **	925
1/2 Bead	4	3-1/2	13/16	1/2	1/4	1-1/4	C-035	A-29-104
5/8 Bead	2-5/8	2	15/16	5/8	5/16	1/2 & 3/4	C-010 **	923
3/4 Bead	2-5/8	1-7/8	1-1/16	3/4	3/8	1/2 & 3/4	C-008 **	927
3/4 Bead	4	3-1/4	1-1/8	3/4	3/8	1-1/4	C-033	A-29-106
1 Bead	4	3	1-5/16	1	1/2	1-1/4	C-032	A-29-108
1 Bead	2-5/8	1-5/8	1-1/2	1	1/2	1/2 & 3/4	C-005 **	929
1-1/8 Bead	3-7/8	2-3/8	1-1/2	1-1/8	9/16	1-1/4	C-020	A-29-109
1-1/4 Bead	3-9/16	2-5/16	1-5/8	1-1/4	5/8	1 & 1-1/4	C-040 ***	SC570
1-1/2 Bead	3-13/16	2-5/16	2	1-1/2	3/4	1 & 1-1/4	C-040 ***	SC572
2 Bead	4-5/16	2-5/16	2-1/2	2	1	1 & 1-1/4	C-040 ***	SC574

† Due to size, furnished with only one 1/2" x 3/4" bushing.

*Rub collar for 1/2" arbor only! **Rub collar for 3/4" arbor only! ***Rub collar for 1-1/4" arbor only!

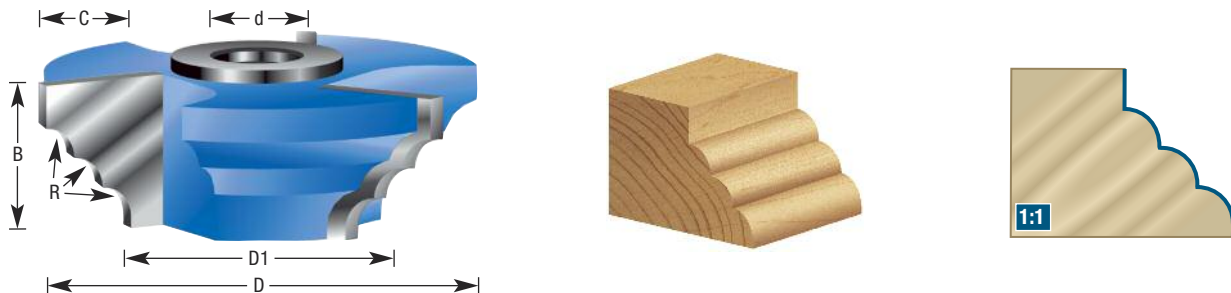
FLUTE (CONVEX)



Description	ØD	B	R	Ød	Rub Collar	Tool No.
1/4 Flute	2-5/8	1/4	1/8	1/2 & 3/4	C-015**	971 †
1/4 Flute	4	1/4	1/8	1-1/4	C-038	A-28-100
3/8 Flute	2-5/8	3/8	3/16	1/2 & 3/4	C-025**	972 †
1/2 Flute	2-5/8	1/2	1/4	1/2 & 3/4	C-011**	926
1/2 Flute	4	1/2	1/4	1-1/4	C-035	A-28-104
3/4 Flute	2-5/8	3/4	3/8	1/2 & 3/4	C-008**	928
3/4 Flute	4	3/4	3/8	1-1/4	C-033	A-28-106
1 Flute	2-5/8	1	1/2	1/2 & 3/4	C-005**	930
1 Flute	4	1	1/2	1-1/4	C-032	A-28-108
1-1/4 Flute	3-1/4	1-1/4	5/8	1 & 1-1/4	C-050***	SC532
1-1/2 Flute	3-1/2	1-1/2	3/4	1 & 1-1/4	C-050***	SC534
2 Flute	4	2	1	1 & 1-1/4	C-050***	SC536

† Due to size, furnished with only one 1/2" x 3/4" bushing.

CORNER TRIPLE BEAD

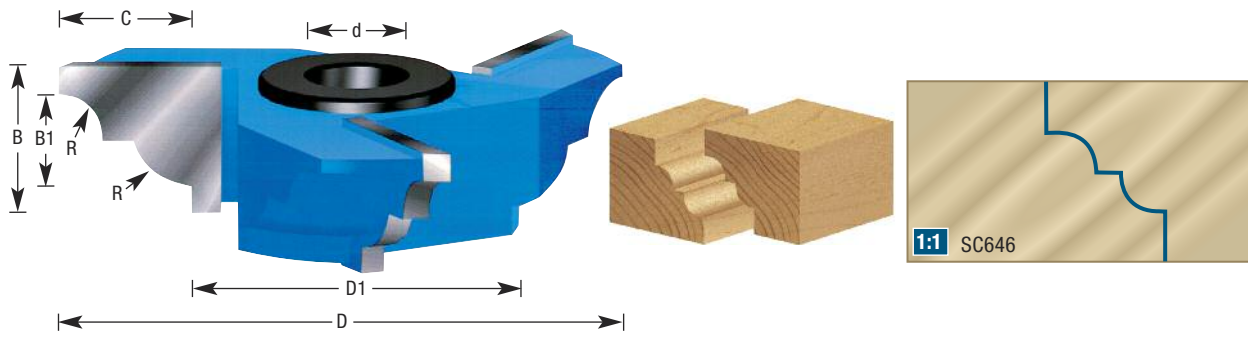


ØD	ØD1	B	C	R	Ød	Rub Collar	Tool No.
2-5/8	1-1/2	7/8	9/16	3/16	1/2 & 3/4	C-043**	SC624

*Rub collar for 1/2" arbor only! **Rub collar for 3/4" arbor only! ***Rub collar for 1-1/4" arbor only!

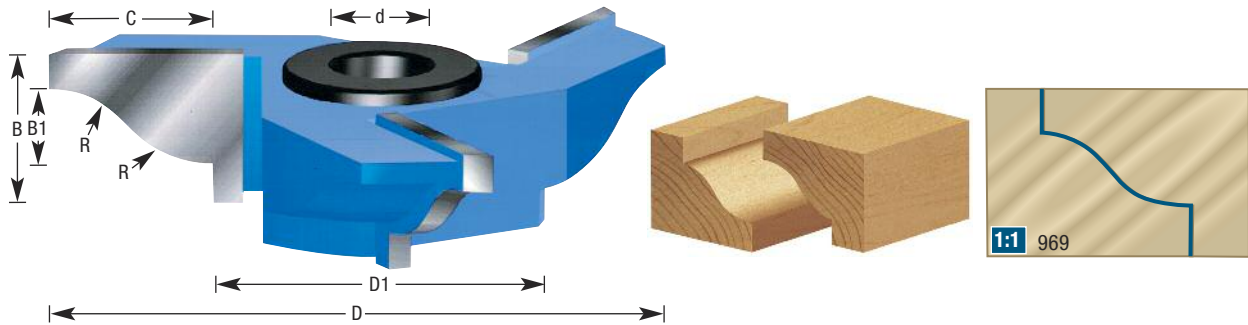
For rub collars & bushings, see pages 371-372.

MATCHED/REVERSIBLE DETAIL BEAD & COVE



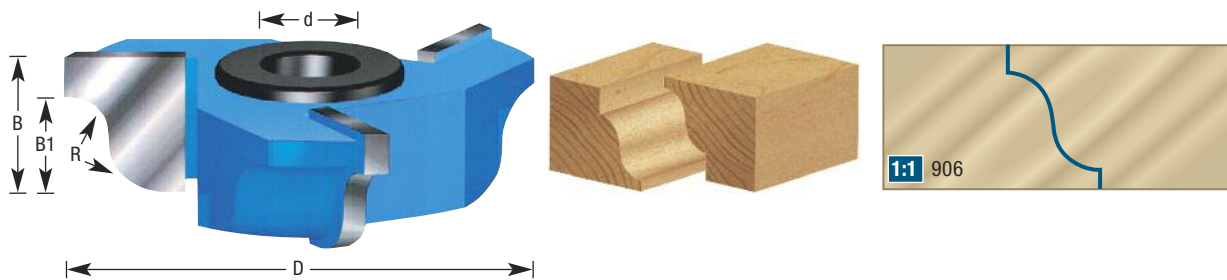
ØD	ØD1	B	B1	C	R	Ød	Rub Collar	Tool No.
3	1-3/4	3/4	1/2	5/8	15/64	1/2 & 3/4	C-006**	968
3	1-3/4	15/16	3/8	5/8	1/4	1/2 & 3/4	C-006**	SC646

MATCHED/REVERSIBLE OGEE



ØD	ØD1	B	B1	C	R	Ød	Rub Collar	Tool No.
3-1/4	1-3/4	7/8	3/8	3/4	1/2	1/2 & 3/4	C-006**	969
3-3/8	1-7/8	15/16	3/8	3/4	1/2	1/2 & 3/4	C-008**	SC648

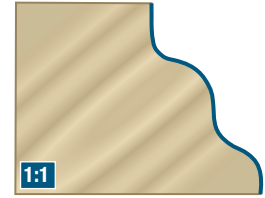
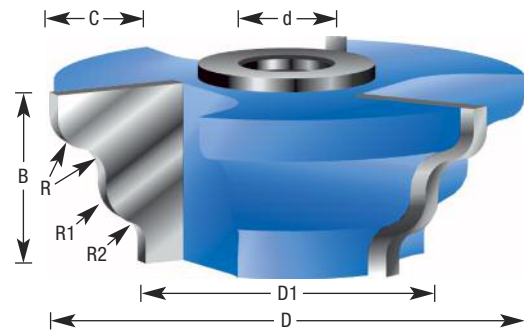
MATCHED/REVERSIBLE OGEE



ØD	B	B1	R	Ød	Rub Collar	Tool No.
2-5/8	3/4	1/2	1/4	1/2 & 3/4	C-005**	906
3-1/8	3/4	1/2	1/4	1 & 1-1/4	C-051***	SC682

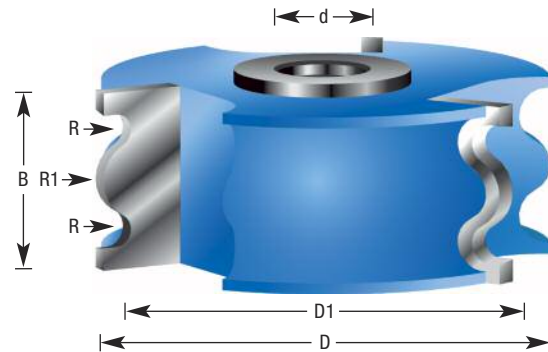
*Rub collar for 1/2" arbor only! **Rub collar for 3/4" arbor only! ***Rub collar for 1-1/4" arbor only!

WAVE EDGE



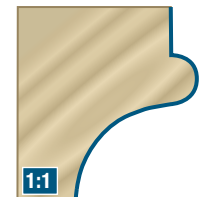
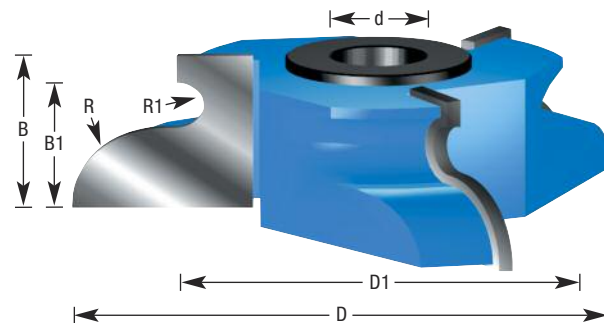
$\varnothing D$	$\varnothing D1$	B	C	R	R1	R2	$\varnothing d$	Rub Collar	Tool No.
2-3/4	1-5/8	1	9/16	3/16	1/4	1/8	1/2 & 3/4	C-005**	SC626

ROUNDED FLUTE



$\varnothing D$	$\varnothing D1$	B	R	R1	$\varnothing d$	Rub Collar	Tool No.
2-5/8	2-5/16	1	3/32	7/32	1/2 & 3/4	C-013**	SC628

OGEE & BEAD TABLE EDGE

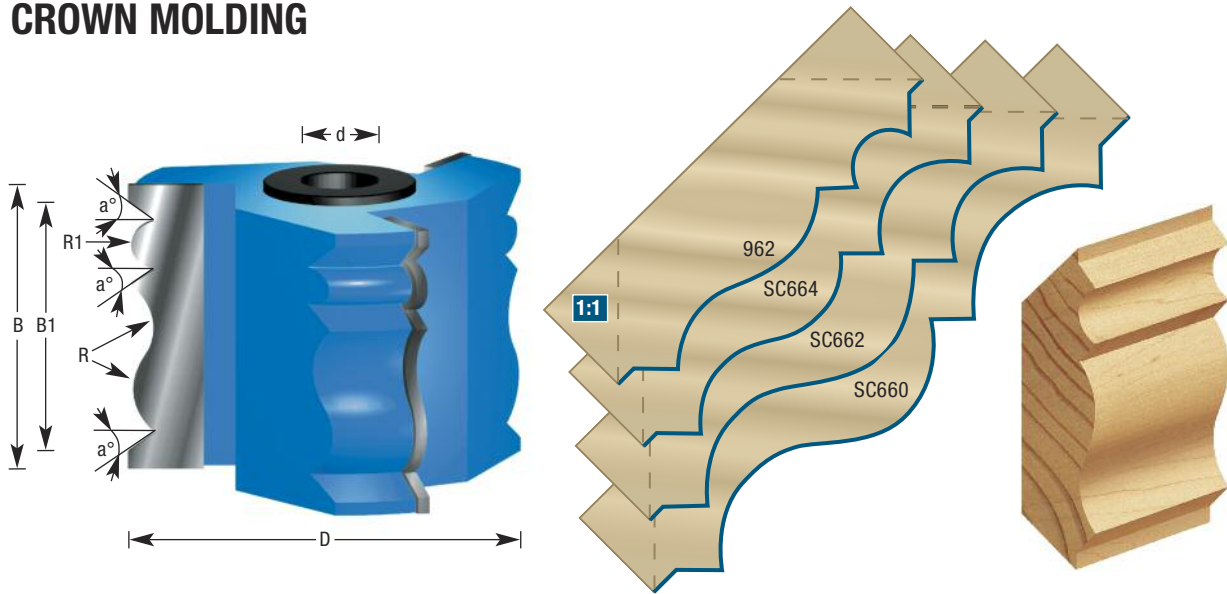


$\varnothing D$	$\varnothing D1$	B	B1	R	R1	$\varnothing d$	Rub Collar	Tool No.
3-1/4	2-1/8	1	3/4	1/2	1/8	1/2 & 3/4	C-007**	958

*Rub collar for 1/2" arbor only! **Rub collar for 3/4" arbor only! ***Rub collar for 1-1/4" arbor only!

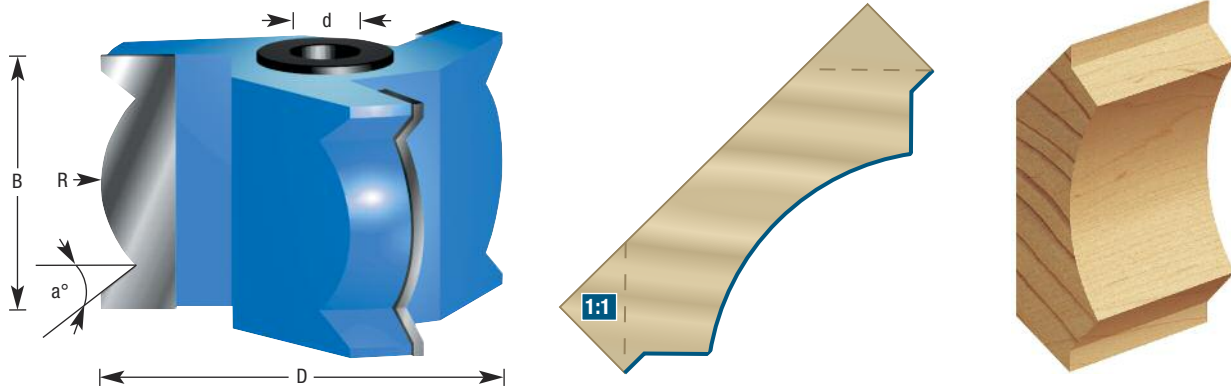
For rub collars & bushings, see pages 371-372.

CROWN MOLDING



ØD	B	B1	a°	R	R1	Ød	Rub Collar	Tool No.
2-3/4	2-1/4	2	45°	1/2	3/16	1/2 & 3/4	C-027**	962
3-1/2	2-1/2	2-1/4	45°	13/32	11/32	1 & 1-1/4	—	SC664
3-1/2	3	2-3/4	45°	17/32	11/32	1 & 1-1/4	—	SC662
3-1/2	3-1/2	3-1/4	45°	9/16	1/2	1 & 1-1/4	—	SC660

CROWN MOLDING

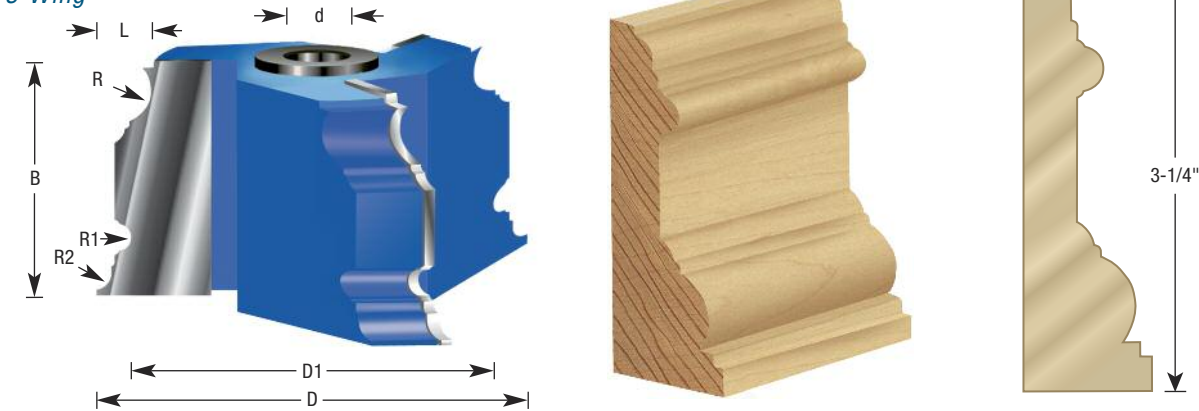


ØD	B	a°	R	Ød	Rub Collar	Tool No.
3-1/4	2-1/4	45°	1-1/4	1/2 & 3/4	C-030**	967

Replacement 'T' bushing(s) #BU-550.

BASE MOLDING

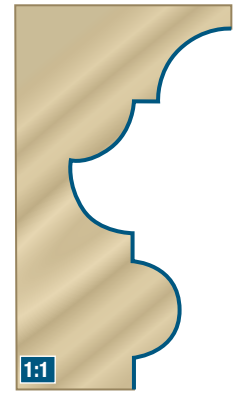
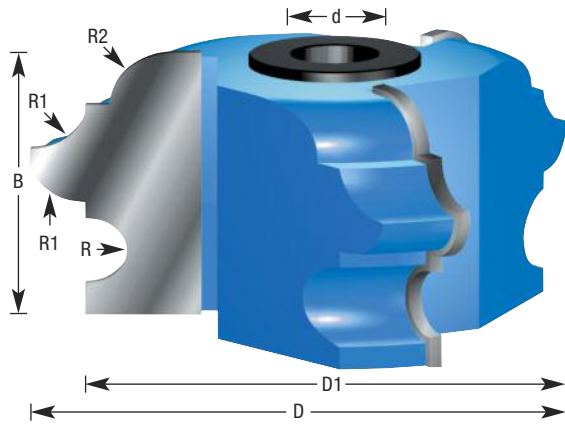
3-Wing



ØD	ØD1	B	R	R1	R2	L	Ød	Rub Collar	Tool No.
4-9/16	2-13/16	3-5/16	29/64	3/16	7/32	7/8	1 & 1-1/4	C-040***	SC668

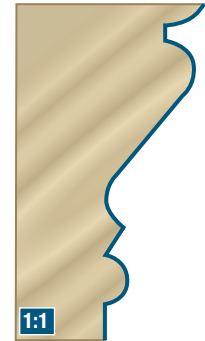
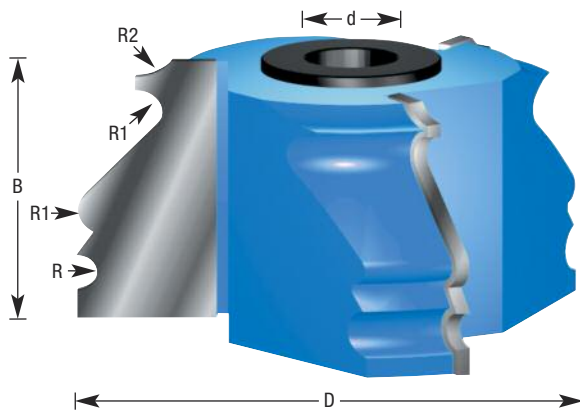
*Rub collar for 1/2" arbor only! **Rub collar for 3/4" arbor only! ***Rub collar for 1-1/4" arbor only!

MULTI-FORM



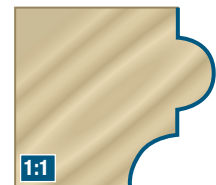
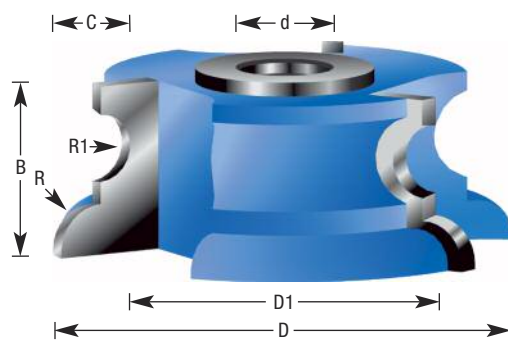
ØD	ØD1	B	R	R1	R2	Ød	Rub Collar	Tool No.
3-1/2	2-7/8	1-7/8	1/4	5/16	3/8	1/2 & 3/4	C-007**	965

MOLDING



ØD	B	R	R1	R2	Ød	Rub Collar	Tool No.
3	1-3/4	1/8	5/32	1/4	1/2 & 3/4	C-010**	966

MOLDING



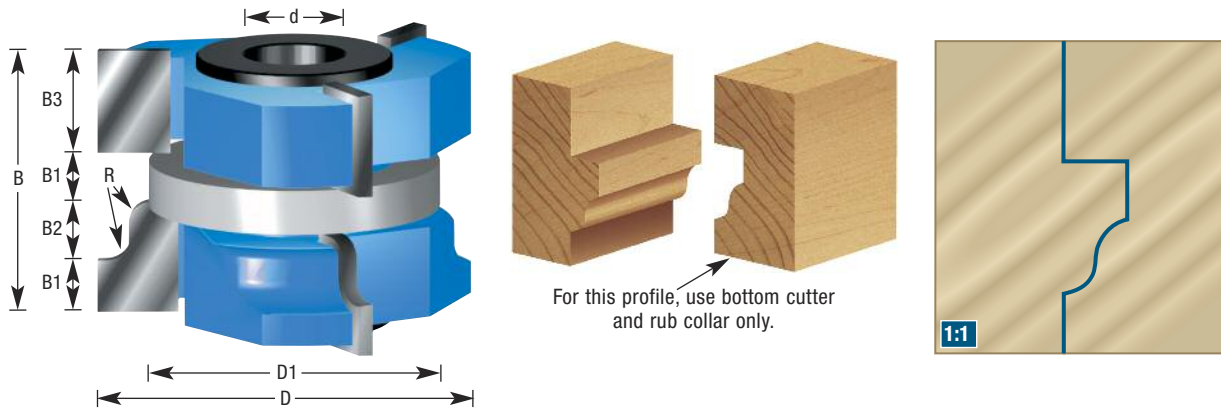
ØD	ØD1	B	C	R	R1	Ød	Rub Collar	Tool No.
2-5/8	1-3/4	15/16	7/16	1/4	3/16	1/2 & 3/4	C-006**	SC630

*Rub collar for 1/2" arbor only! **Rub collar for 3/4" arbor only! ***Rub collar for 1-1/4" arbor only!

For rub collars & bushings, see pages 371-372.

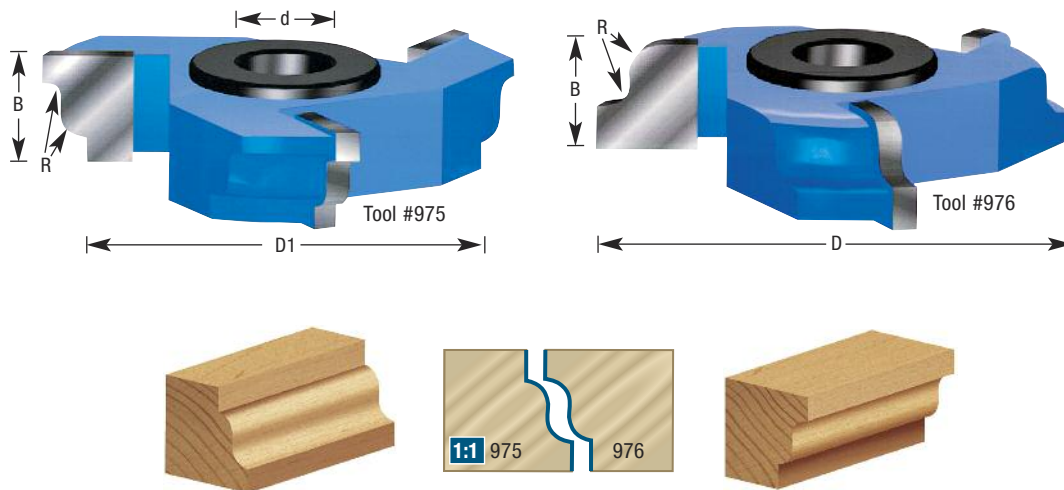
WINDOW SASH

With Ball Bearing Rub Collar



ØD	ØD1	B	$B1$	$B2$	$B3$	R	Ød	Rub Collar	Tool No.
2	1.457	1-5/8	5/16	3/8	5/8	1/4	1/2 & 3/4	C-043**	939

SASH

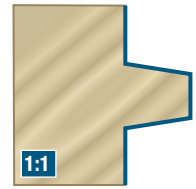
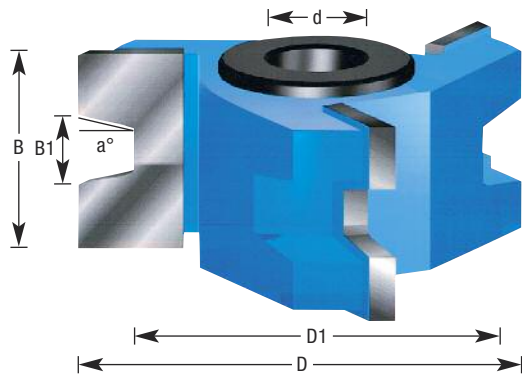


Description	ØD	ØD1	B	R	Ød	Rub Collar	Tool No.
Female Sash	2-5/8	2-1/8	5/8	1/8	1/2 & 3/4	C-024**	975
Male Sash	2-5/8	2-1/8	5/8	1/8	1/2 & 3/4	C-024**	976

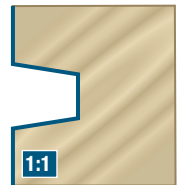
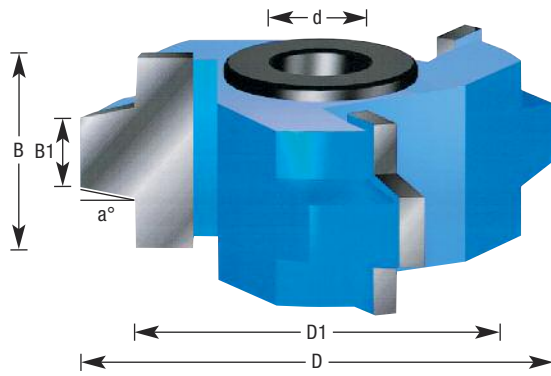
*Rub collar for 1/2" arbor only! **Rub collar for 3/4" arbor only! ***Rub collar for 1-1/4" arbor only!

JOINERY

Wedge Tongue & Groove



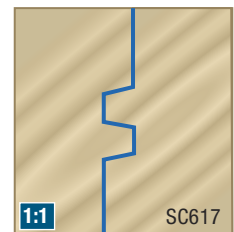
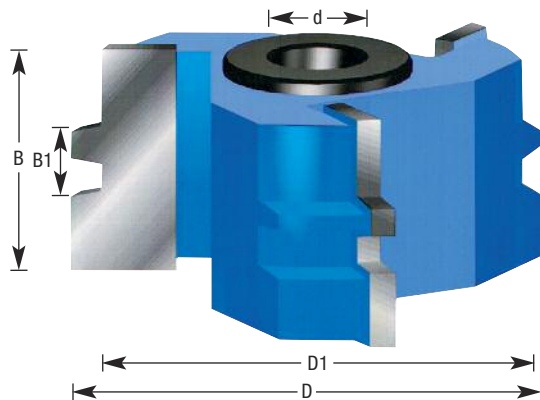
ØD	ØD1	B	B1	a°	Ød	Rub Collar	Tool No.
2-5/8	2	15/16	11/32	9°	1/2 & 3/4	C-010**	903



ØD	ØD1	B	B1	a°	Ød	Rub Collar	Tool No.
2-5/8	2	15/16	11/32	9°	1/2 & 3/4	C-010**	904

Replacement 'T' bushing(s) #BU-550.

GLUE JOINT

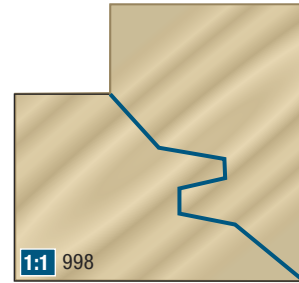
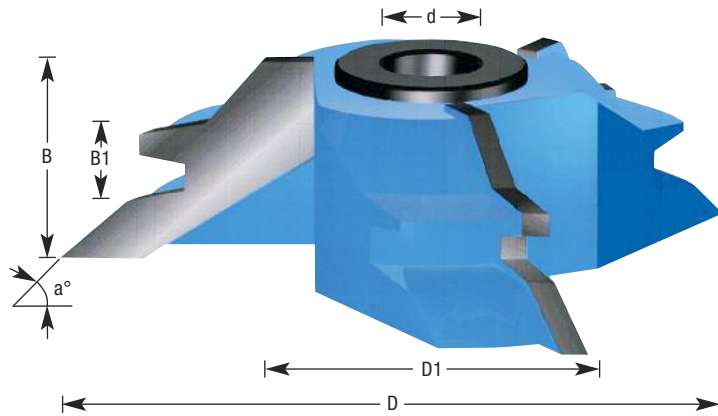


ØD	ØD1	B	B1	Ød	Rub Collar	Tool No.
2-5/8	2-1/4	1-3/16	3/8	1/2 & 3/4	C-026**	911
2-13/16	2-1/2	1-3/16	3/8	1 & 1-1/4	C-017***	SC617

*Rub collar for 1/2" arbor only! **Rub collar for 3/4" arbor only! ***Rub collar for 1-1/4" arbor only!

For rub collars & bushings, see pages 371-372.

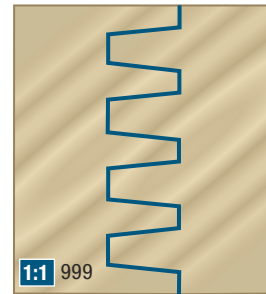
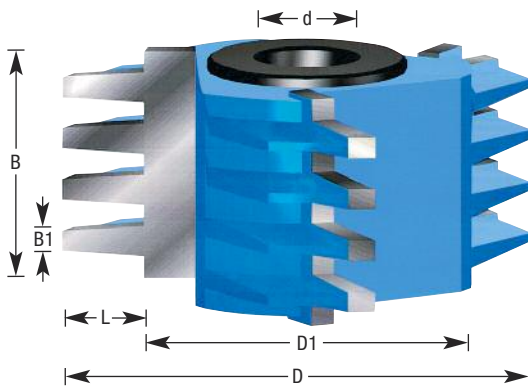
LOCK MITER



ØD	ØD1	B	B1	a°	Ød	Rub Collar	Tool No.
3-3/4	2	1	3/8	45°	1/2 & 3/4	C-006**	998
4-17/32	2-31/64	1	3/8	45°	1 & 1-1/4	C-017***	SC619

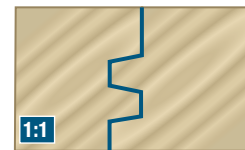
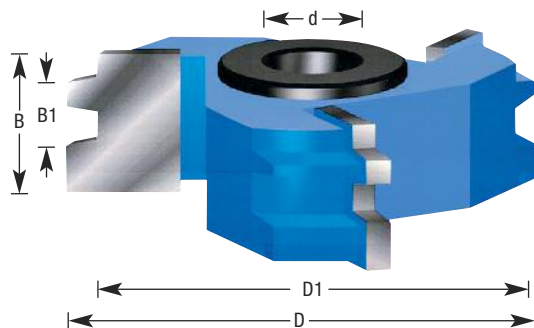
Replacement 'T' bushing(s) #BU-550.

FINGER JOINT



ØD	ØD1	B	B1	L	Ød	Rub Collar	Tool No.
2-7/8	2-1/8	1-1/2	11/32	3/8	1/2 & 3/4	C-011**	999
3	2-1/4	1-1/2	13/64	3/8	1 & 1-1/4	—	SC300

GLUE JOINT

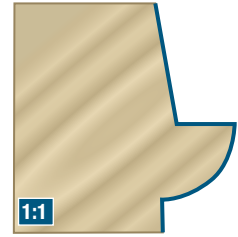
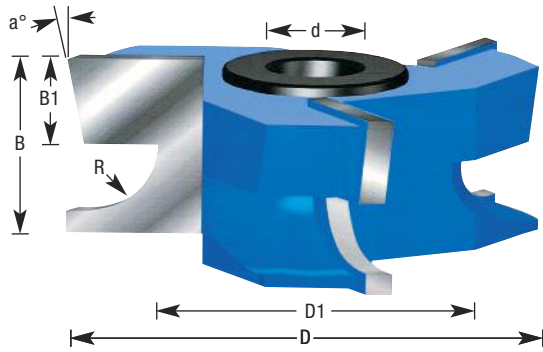


ØD	ØD1	B	B1	Ød	Rub Collar	Tool No.
2-5/8	2-3/8	3/4	11/32	1/2 & 3/4	C-014**	933

*Rub collar for 1/2" arbor only! **Rub collar for 3/4" arbor only! ***Rub collar for 1-1/4" arbor only!

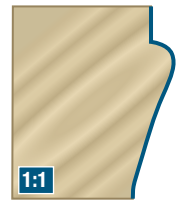
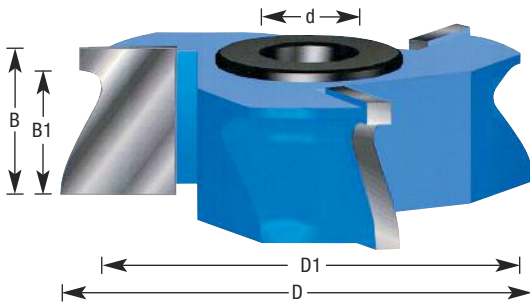
DOOR LIP

Corner Round & Rabbet • Counter-Clockwise, Rabbet Up



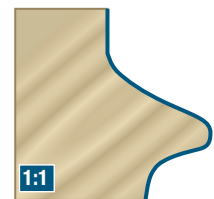
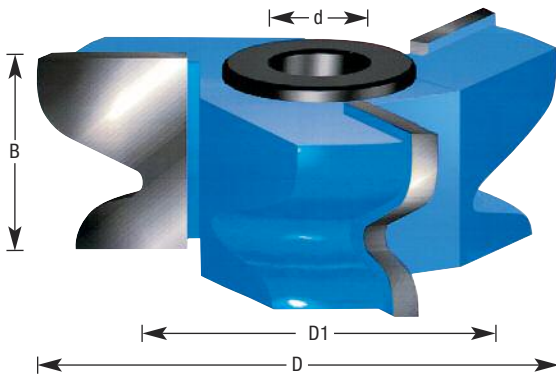
ØD	ØD1	B	B1	R	a°	Ød	Rub Collar	Tool No.
2-5/8	1-3/4	1-3/16	5/8	3/8	10°	1/2 & 3/4	C-006**	900

Corner Round & Ogee



ØD	ØD1	B	B1	Ød	Rub Collar	Tool No.
2-5/8	2-1/4	1	13/16	1/2 & 3/4	C-023**	992

Ogee & Cove



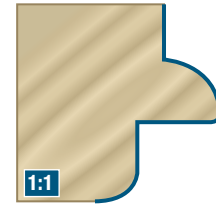
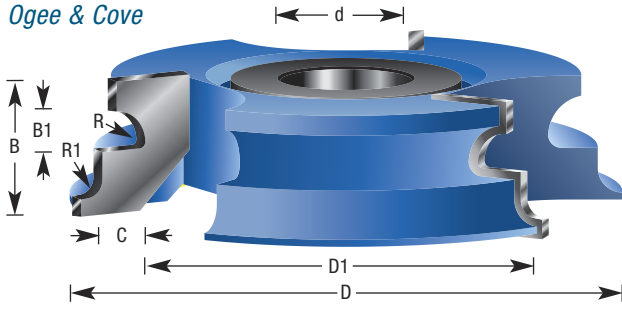
ØD	ØD1	B	Ød	Rub Collar	Tool No.
2-5/8	1-1/2	1	1/2 & 3/4	47806**	993

*Rub collar for 1/2" arbor only! **Rub collar for 3/4" arbor only! ***Rub collar for 1-1/4" arbor only!

For rub collars & bushings, see pages 371-372.

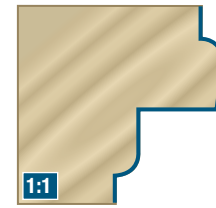
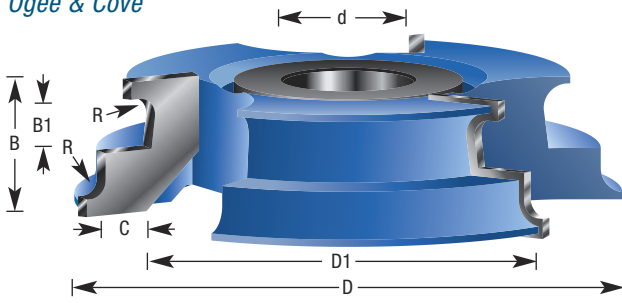
DOOR LIP

Ogee & Cove



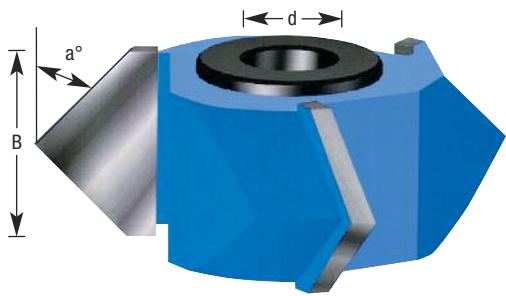
ØD	ØD1	B	B1	C	R	R1	Ød	Tool No.
4-5/16	3-1/8	1-1/32	9/32	3/8	1/4	1/8	1 & 1-1/4	SC462

Ogee & Cove



ØD	ØD1	B	B1	C	R	Ød	Tool No.
4-5/16	3-1/8	1-1/32	3/8	13/32	1/8	1 & 1-1/4	SC464

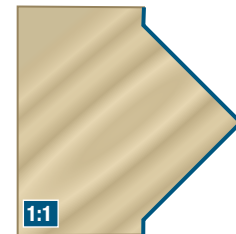
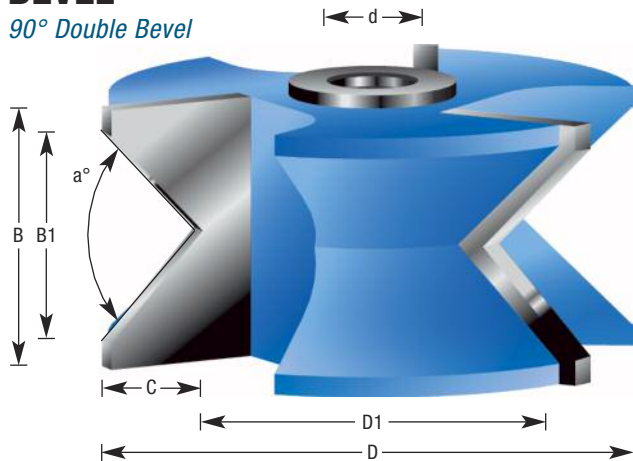
90° V-GROOVE



ØD	B	a°	Ød	Rub Collar	Tool No.
2-5/8	15/16	45°	1/2 & 3/4	47810**	957

BEVEL

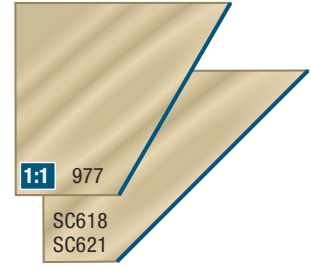
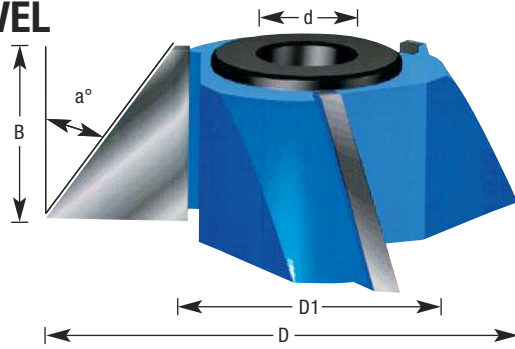
90° Double Bevel



ØD	ØD1	B	B1	a°	C	Ød	Rub Collar	Tool No.
2-5/8	1-11/16	1-3/16	15/16	90°	15/32	1/2 & 3/4	C-005**	SC638

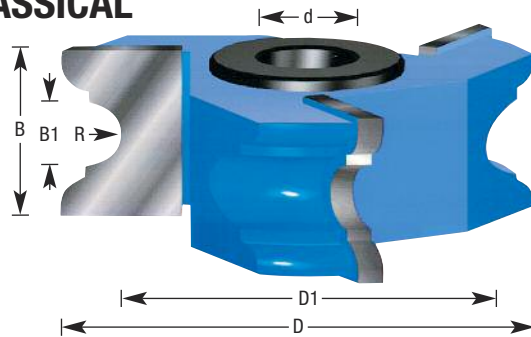
*Rub collar for 1/2" arbor only! **Rub collar for 3/4" arbor only! ***Rub collar for 1-1/4" arbor only!

BEVEL



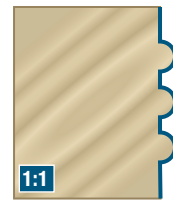
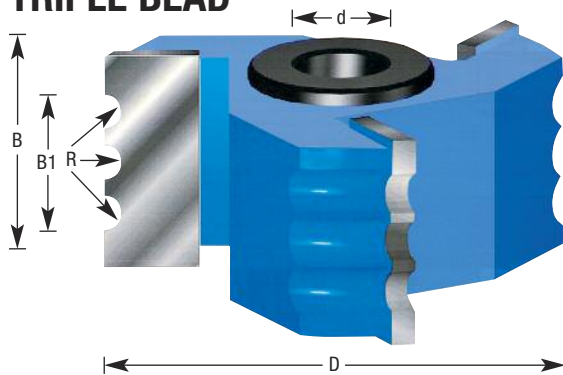
Description	ØD	ØD1	B	a°	Ød	Rub Collar	Tool No.
30° Bevel	2-5/8	1-3/8	1	30°	1/2 & 3/4	C-044**	977
45° Bevel	3-1/2	1-1/2	1	45°	1/2 & 3/4	C-011**	SC618
45° Bevel	4	2	1	45°	1 & 1-1/4	C-050***	SC621

CLASSICAL



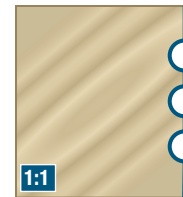
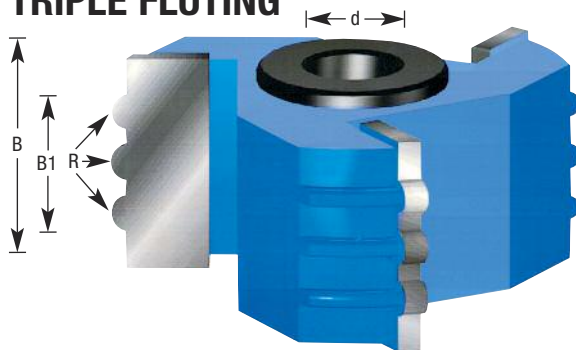
ØD	ØD1	B	B1	R	Ød	Rub Collar	Tool No.
2-5/8	2	1	3/8	3/16	1/2 & 3/4	C-004**	964

TRIPLE BEAD



ØD	B	B1	R	Ød	Rub Collar	Tool No.
2-5/8	1	5/8	5/64	1/2 & 3/4	C-015**, C-028**	960

TRIPLE FLUTING



ØD	B	B1	R	Ød	Rub Collar	Tool No.
2-5/8	1	5/8	5/64	1/2 & 3/4	C-015**, C-028**	961

*Rub collar for 1/2" arbor only! **Rub collar for 3/4" arbor only! ***Rub collar for 1-1/4" arbor only!

For rub collars & bushings, see pages 371-372.

ADD A TOUCH OF

Elegance
TO YOUR WALLS

WAINSCOT/PANELING

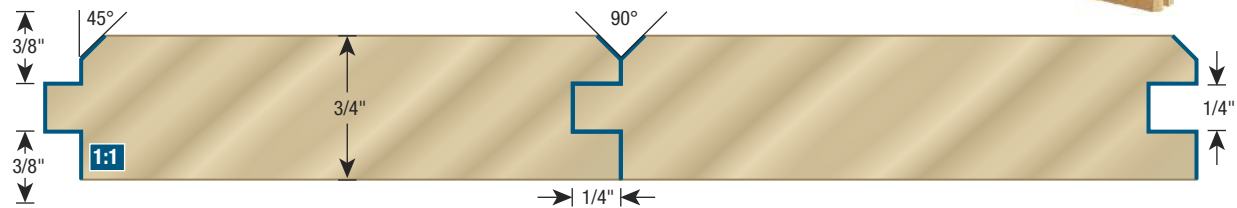
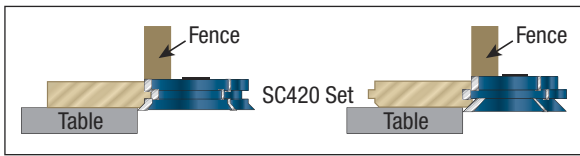
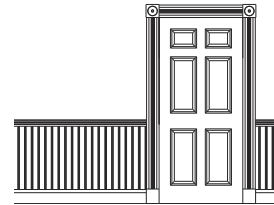
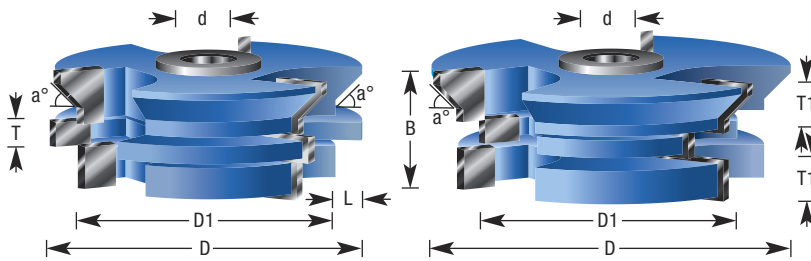
For 3/4" Material



Wainscot and paneling are a great way to add visual interest to walls. Paneling is used to cover an entire wall while wainscot stops at the chair rail. Amana Tool® offers three styles of profiles to choose from.

The first, wainscot with a 'V', provides a simple forty-five degree 'V' profile along the edges of the stock. The other two sets create a 5/16" diameter bead along the edges of the stock. All three sets are designed for 3/4" thick stock and create an interlocking 1/4" tongue-and-groove joint for ease of assembly.

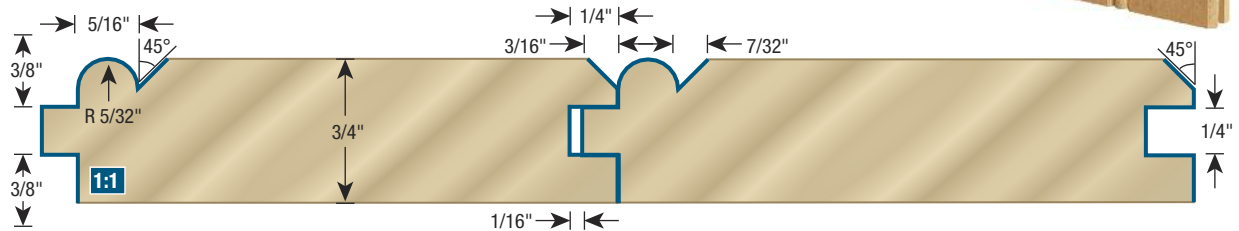
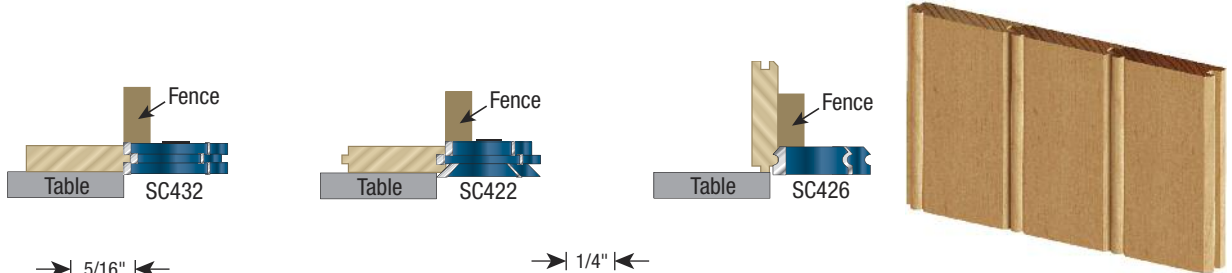
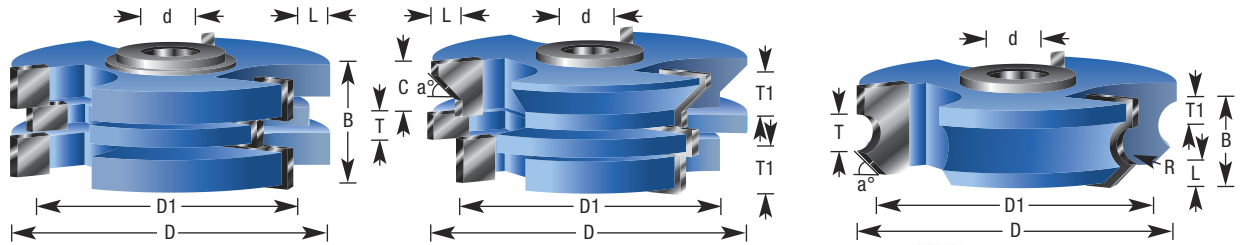
Wainscot With 'V' Cutters



ØD	ØD1	B	a°	T	T1	L	Ød	Rub Collar	Tool No.
3-1/2	3	1	45°	1/4	3/8	1/4	1/2 & 3/4	C-016**	SC420 (SET)

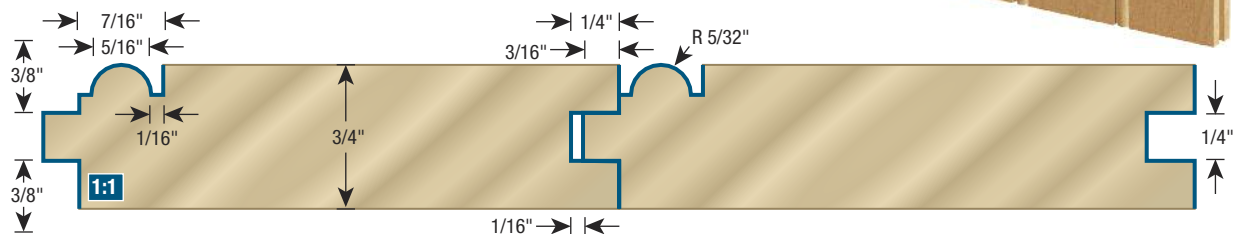
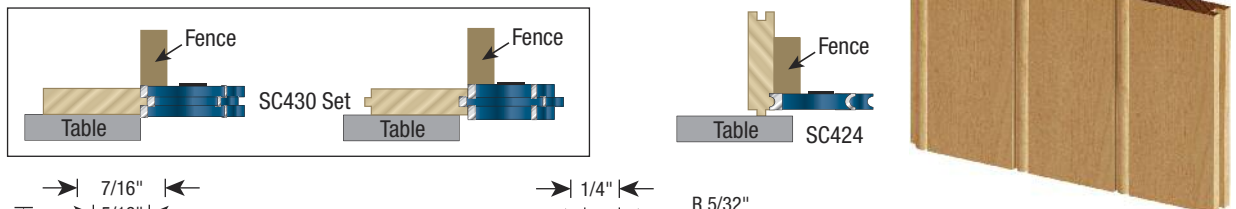
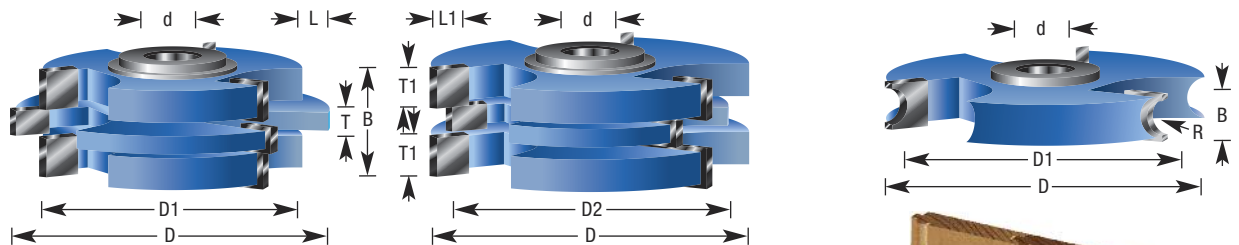
*Rub collar for 1/2" arbor only! **Rub collar for 3/4" arbor only! ***Rub collar for 1-1/4" arbor only!

Wainscot With 'V' & Bead Cutters



ØD	ØD1	B	a°	T	T1	R	L	Ød	Rub Collar	Tool No.
3	2-5/8	1	—	1/4	3/8	—	3/16	1/2 & 3/4	47822**	SC432
3	2-1/2	1	45°	3/8	1/4	—	1/4	1/2 & 3/4	C-016**	SC422
2-13/16	2-3/8	25/32	45°	5/16	1/4	5/32	7/32	1/2 & 3/4	C-016**	SC426

Wainscot With Bead Cutters



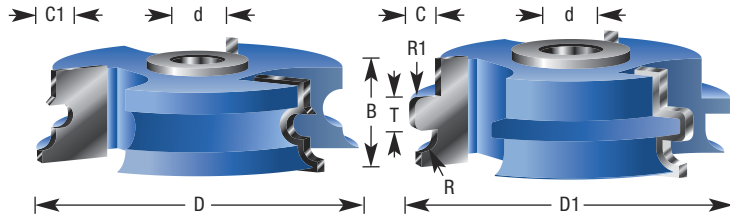
ØD	ØD1	ØD2	B	T	T1	R	L	L1	Ød	Rub Collar	Tool No.
3	2-1/2	2-5/8	1	1/4	3/8	—	1/4	3/16	1/2 & 3/4	47822**	SC430 (SET)
3	2-11/16	—	7/16	1/16	5/16	5/32	—	—	1/2 & 3/4	C-019**	SC424

*Rub collar for 1/2" arbor only! **Rub collar for 3/4" arbor only! ***Rub collar for 1-1/4" arbor only!

For rub collars & bushings, see pages 371-372.

FLOORING SET WITH NAIL SLOT FOR 5/8" TO 3/4" MATERIAL

Build your own wood floors with this matched shaper cutter set, which ensures perfectly aligned tongue and groove flooring strips. The unique rounded edge created by these cutters makes flooring fast and easy to install, while the nail slot helps prevent splitting.



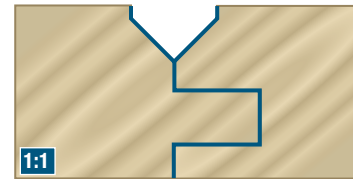
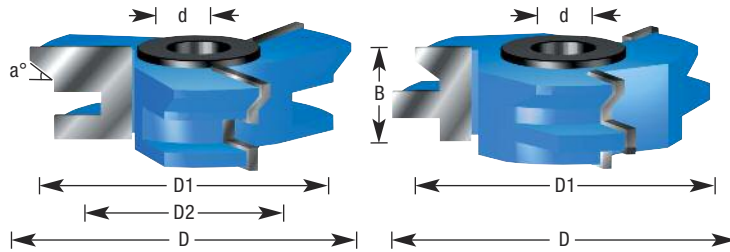
ØD	ØD1	B	C	C1	T	R	R1	Ød	Rub Collar	Tool No.
2-5/8	2-21/32	7/8	1/4	—	1/4	1/8	1/16	3/4	—	SC453 <i>New</i>
3-1/4	2-25/32	7/8	1/4	11/32	1/4	1/8	1/16	1/2 & 3/4	C-029, C-014**	SC450
3-1/4	2-13/16	7/8	1/4	11/32	1/4	1/8	1/16	1 & 1-1/4	C-018, C-040***	SC451

V-PANELING 2-PIECE SETS

'V' paneling is a quick and easy way to add architectural detail to any room. These two-piece sets are perfectly matched so that you can shape precisely milled paneling strips in any wood species.

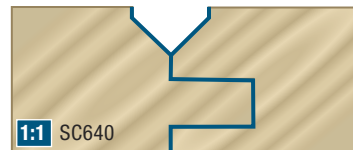
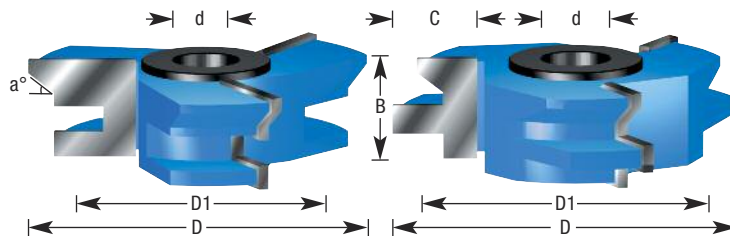


With 1/4"W x 3/8"D Tongue & Groove



ØD	ØD1	ØD2	B	a°	Ød	Rub Collar	Tool No.
2-5/8	2-1/4	1-1/2	29/32	45°	1/2 & 3/4	C-008**	938

V-Paneling Cutter Set



ØD	ØD1	B	C	a°	Ød	Rub Collar	For Material	Tool No.
2-5/8	1-1/8	3/4	7/16	45°	1/2 & 3/4	C-006, C-011**	1/2 - 3/4	SC640
2-3/4	2	1	5/8	45°	1/2 & 3/4	C-010, C-043**	3/4 - 1	SC642

*Rub collar for 1/2" arbor only! **Rub collar for 3/4" arbor only! ***Rub collar for 1-1/4" arbor only!

REVERSIBLE STILE & RAIL CABINET DOOR SETS WITH BALL BEARING FOR 3/4" TO 1-1/4" MATERIAL

Roman Ogee

Assembly 'A' and Assembly 'B' diagrams showing dimensions: ØD, B, R, T, L, C, L, Ød. Includes a wood cross-section and a 1:1 detail of the Roman Ogee profile.

ØD	B	R	T	L	C	L	Ød	Repl. Ball Bearing	Tool No.
2-13/32	1	5/16	1/4	3/8	3/8	3/8	1/2 & 3/4	47757 (42mm x 3/4 x 9mm)	SC586
2-29/32	1	5/16	1/4	3/8	5/8	5/8	1/2 & 3/4	47757 (42mm x 3/4 x 9mm)	SC579

Tongue & Groove

Assembly 'A' and Assembly 'B' diagrams showing dimensions: ØD, B, R, T, L, C, L, Ød. Includes a wood cross-section and a 1:1 detail of the Tongue & Groove profile.

ØD	B	R	T	L	C	L	Ød	Repl. Ball Bearing	Tool No.
2-13/32	3/4	-	1/4	3/8	3/8	3/8	1/2 & 3/4	47757 (42mm x 3/4 x 9mm)	SC577

Bevel

Assembly 'A' and Assembly 'B' diagrams showing dimensions: ØD, B, a°, T, L, C, L, Ød. Includes a wood cross-section and a 1:1 detail of the Bevel profile.

ØD	B	a°	T	L	C	L	Ød	Repl. Ball Bearing	Tool No.
2-13/32	1	18.6	1/4	3/8	3/8	3/8	1/2 & 3/4	47757 (42mm x 3/4 x 9mm)	SC587
2-1/2	1-1/4	45	1/4	3/8	3/8	3/8	1/2 & 3/4	47757 (42mm x 3/4 x 9mm)	SC597 <i>New</i>

Classical

Assembly 'A' and Assembly 'B' diagrams showing dimensions: ØD, B, R, T, L, C, L, Ød. Includes a wood cross-section and a 1:1 detail of the Classical profile.

ØD	B	R	T	L	C	L	Ød	Repl. Ball Bearing	Tool No.
2-13/32	1	9/64	1/4	3/8	3/8	3/8	1/2 & 3/4	47757 (42mm x 3/4 x 9mm)	SC588

Convex/Concave

Assembly 'A' and Assembly 'B' diagrams showing dimensions: ØD, B, R, T, L, C, L, Ød. Includes a wood cross-section and a 1:1 detail of the Convex/Concave profile.

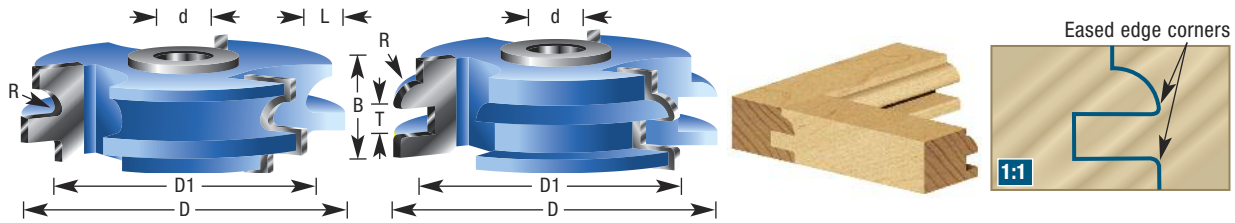
ØD	B	R	T	L	C	L	Ød	Repl. Ball Bearing	Tool No.
2-13/32	1	3/16	1/4	3/8	3/8	3/8	1/2 & 3/4	47757 (42mm x 3/4 x 9mm)	SC589

*Rub collar for 1/2" arbor only! **Rub collar for 3/4" arbor only! ***Rub collar for 1-1/4" arbor only!

For rub collars & bushings, see pages 371-372.

STILE & RAIL CABINET DOOR SET FOR 5/8" TO 3/4" MATERIAL

Concave With Eased Edge

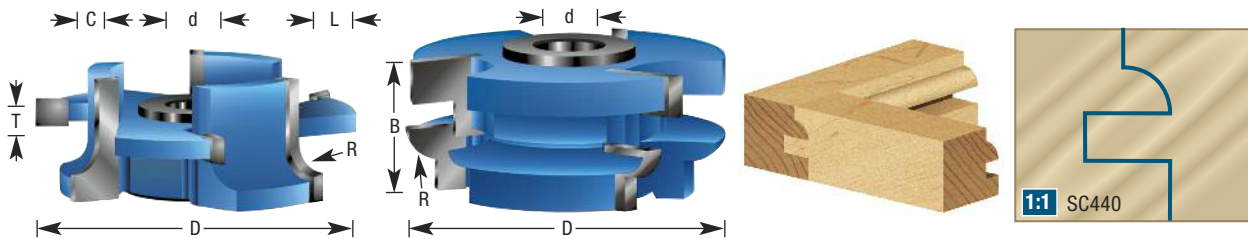


ØD	ØD1	B	T	L	R	Ød	Rub Collar	Tool No.
3	2-9/32	3/4	1/4	11/32	1/4	1/2 & 3/4	C-014**	SC441

STILE & RAIL CABINET DOOR SETS FOR 3/4" TO 1" MATERIAL

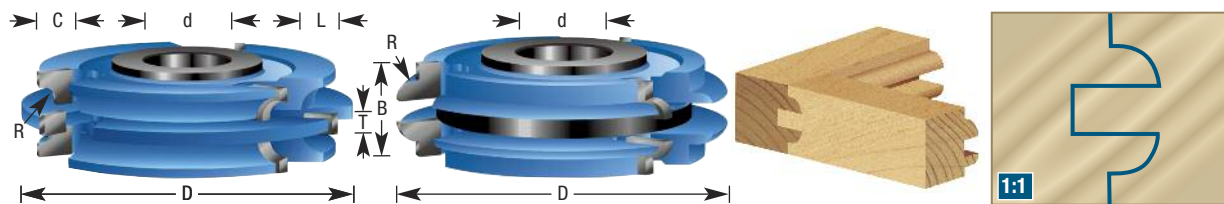
These Stile & Rail sets are great for making cabinet doors.

Concave



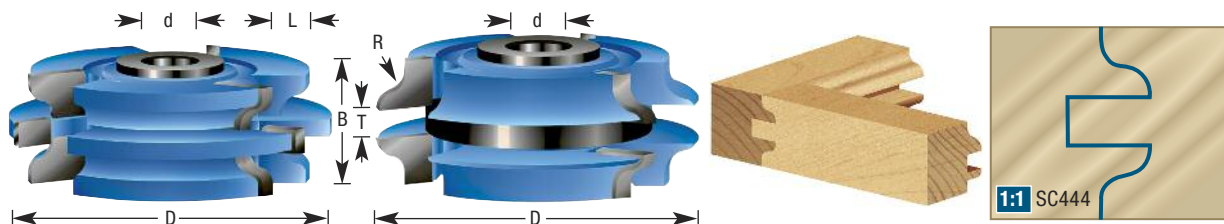
ØD	C	B	T	L	R	Ød	Rub Collar	Tool No.
2-7/16	1/4	1	1/4	7/16	15/64	1/2 & 3/4	C-009**	SC440
3-9/16	1/4	1	1/4	7/16	1/4	1 & 1-1/4	C-019, C-021, C-032***	SC540

Concave



ØD	C	B	T	L	R	Ød	Rub Collar	Tool No.
3-9/16	1/4	1	1/4	7/16	13/64	1 & 1-1/4	C-019, C-021, C-032***	SC550

Ogee

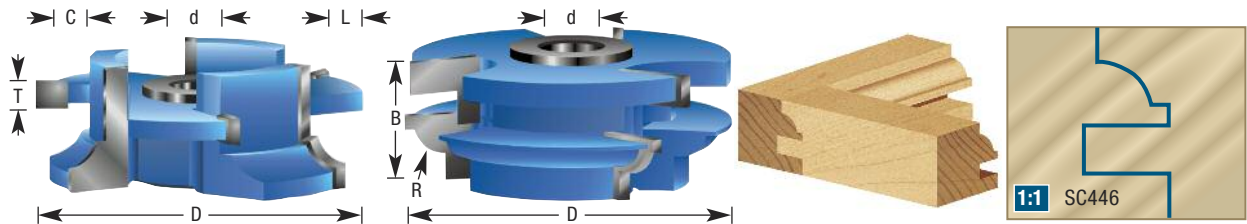


ØD	B	T	L	R	Ød	Rub Collar	Tool No.
2-11/16	1	1/4	7/16	1/8	1/2 & 3/4	C-007, C-012**	SC444

*Rub collar for 1/2" arbor only! **Rub collar for 3/4" arbor only! ***Rub collar for 1-1/4" arbor only!

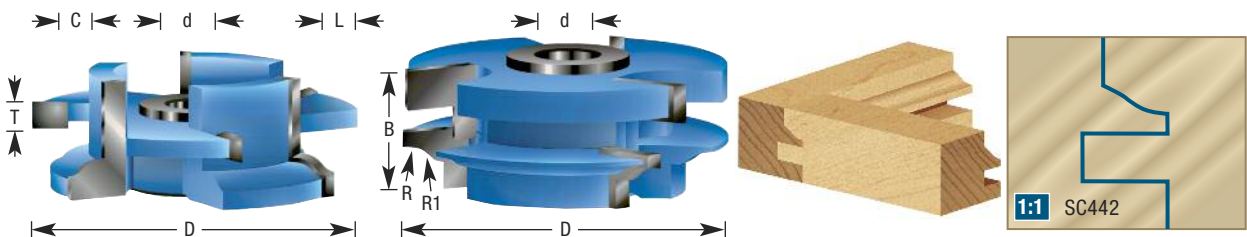
STILE & RAIL CABINET DOOR SETS FOR 3/4" MATERIAL

Bead



ØD	C	B	T	L	R	Ød	Rub Collar	Tool No.
2-11/16	3/8	1	1/4	7/16	9/32	1/2 & 3/4	C-007, C-010**	SC446
3-9/16	3/8	1	1/4	7/16	9/32	1 & 1-1/4	C-019, C-020***	SC546

Ogee

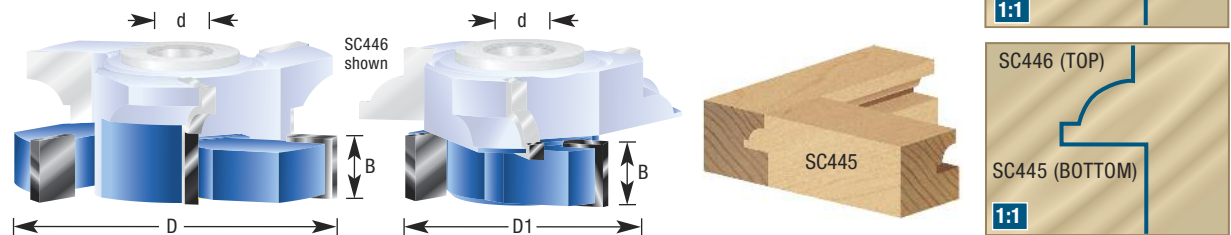


ØD	C	B	T	L	R	R1	Ød	Rub Collar	Tool No.
2-11/16	3/8	1	1/4	7/16	5/16	3/16	1/2 & 3/4	C-007, C-010**	SC442
3-9/16	3/8	15/16	1/4	7/16	1/4	3/16	1 & 1-1/4	C-019, C-020***	SC542

GLASS DOOR & MULLION SET

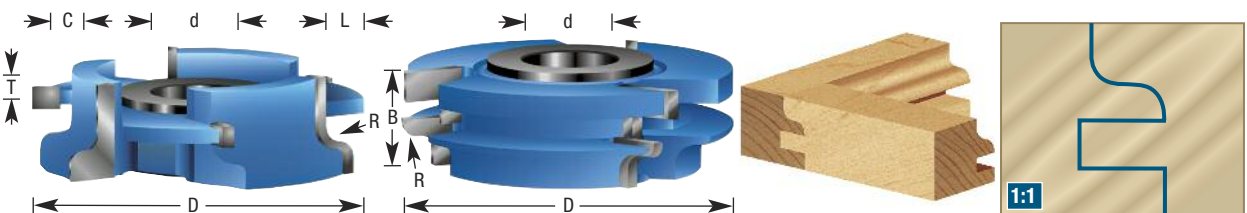
For SC442 And SC446

Used in conjunction with cutter SC442 and SC446 to make rabbets for the back of doors for glass door panels or mullions. Glass must be secured in place with molding.



ØD	ØD1	B	Ød	Tool No.
2-7/8	1-13/16	1/2	3/4	SC445

Ogee



ØD	C	B	T	L	R	Ød	Rub Collar	Tool No.
3-9/16	3/8	1	1/4	7/16	9/64	1 & 1-1/4	C-019, C-020***	SC548

*Rub collar for 1/2" arbor only! **Rub collar for 3/4" arbor only! ***Rub collar for 1-1/4" arbor only!

For rub collars & bushings, see pages 371-372.

INDUSTRIAL

Tongue & Groove

Cabinet Doors with Flat Panel



- Cut precise grooves to accommodate undersized plywood
- Rattle-free fit
- Mission/Shaker style

instile™
 & RAIL SYSTEM

MISSION STYLE
 FLAT PANEL CABINET DOOR MAKING SET

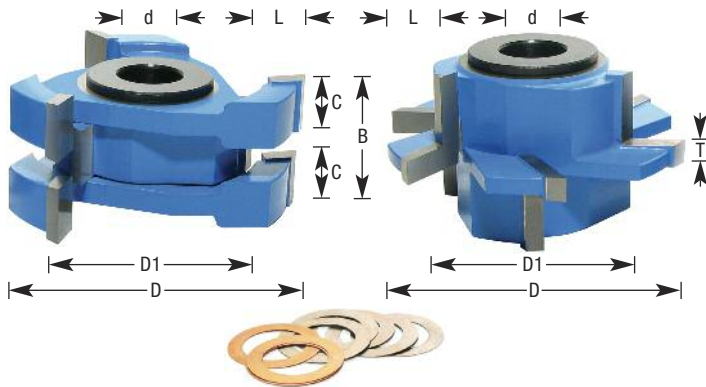


ADJUSTABLE TONGUE & GROOVE CABINET DOOR SETS

5/8" TO 1-1/4" MATERIAL

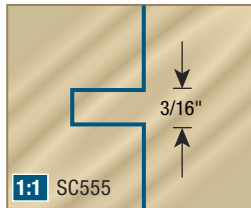
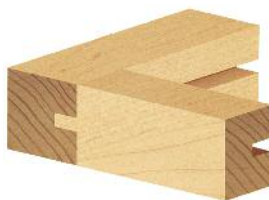
Shaker and Arts & Crafts

- Designed to cut precise grooves to provide undersized plywood veneered panels with a snug rattle-free fit.
- Adjust the panel groove width 3/16" to 9/32" for 1/4" plywood.
- 5.5mm for undersized 1/4" plywood and 5.9mm for oversized 1/4" veneered plywood.

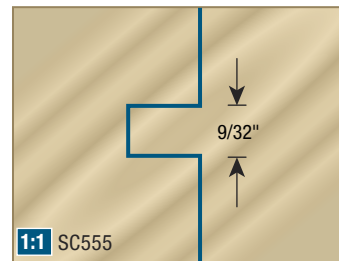
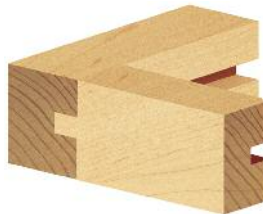


See Pages 182-183 for Instile & Rail System™ Adjustable Tongue & Groove Router Bit Sets.

See Page 365 for Instile & Rail System™ Adjustable Tongue & Groove Insert Carbide Shaper Cutter Set.



Minimum



Maximum

ØD	ØD1	B	C	T	L	Ød	Rub Collar	Tool No.
2-3/8	1-5/8	1 to 1-5/16	7/16	3/16 to 9/32	3/8	1/2 & 3/4	C-005**	SC555
2-59/64	2-5/32	1-1/16 to 1-21/64	7/16	3/16 to 9/32	3/8	1 & 1-1/4	C-051***	SC553

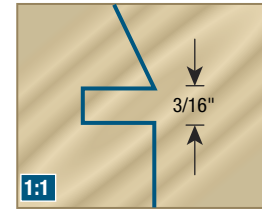
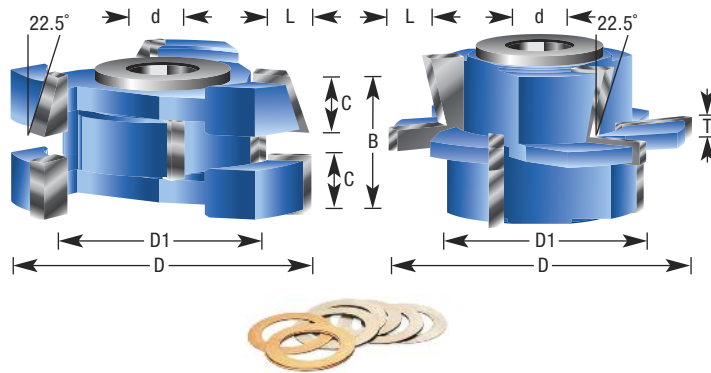
*Rub collar for 1/2" arbor only! **Rub collar for 3/4" arbor only! ***Rub collar for 1-1/4" arbor only!

For rub collars & bushings, see pages 371-372.

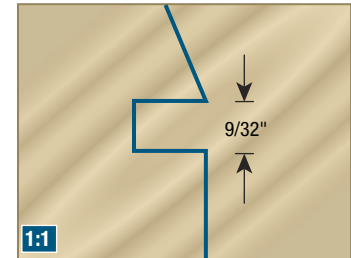


**ADJUSTABLE TONGUE & GROOVE
 CABINET DOOR SET
 5/8" TO 1-1/4" MATERIAL**

Accommodates Undersized Plywood • Straight With 22.5° Bevel (Shaker)



Minimum



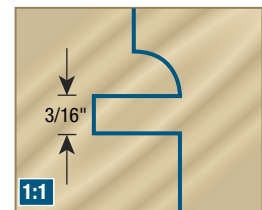
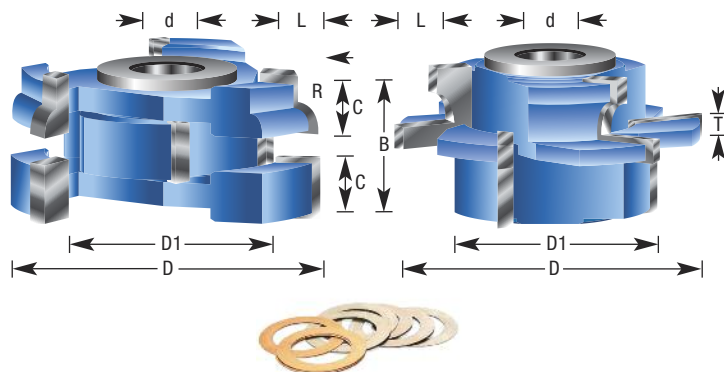
Maximum

ØD	ØD1	B	C	T	L	Ød	Rub Collar	Tool No.
2-3/8	1-5/8	1-1/16 to 1-21/64	7/16	3/16 to 9/32	3/8	1/2 & 3/4	C-005**	SC565

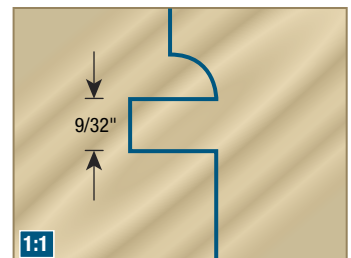


**ADJUSTABLE TONGUE & GROOVE
 CABINET DOOR SET
 5/8" TO 1-1/4" MATERIAL**

Accommodates Undersized Plywood • Concave



Minimum



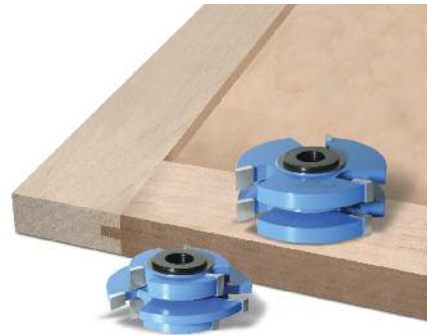
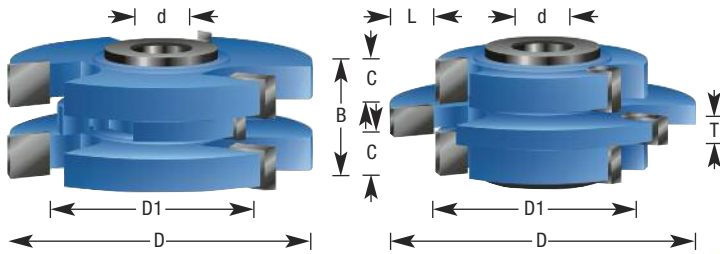
Maximum

ØD	ØD1	B	R	C	T	L	Ød	Rub Collar	Tool No.
2-3/8	1-57/64	1-1/16 to 1-21/64	15/64	7/16	3/16 to 9/32	3/8	1/2 & 3/4	C-005**	SC568

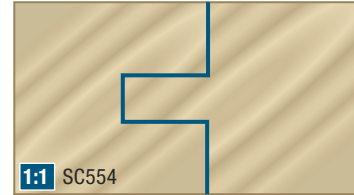
*Rub collar for 1/2" arbor only! **Rub collar for 3/4" arbor only! ***Rub collar for 1-1/4" arbor only!

TONGUE & GROOVE CABINET DOOR SETS FOR 5/8" TO 2-1/8" MATERIAL

Mission Style – Shaker Arts & Crafts



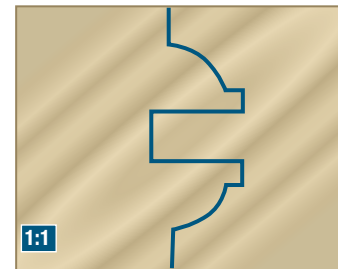
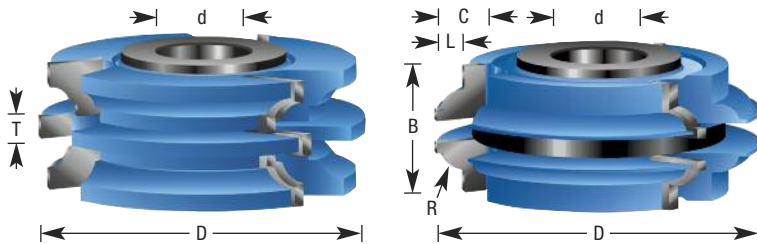
MISSION STYLE
FLAT PANEL CABINET DOOR MAKING SET



ØD	ØD1	B	C	T	L	Ød	Rub Collar	For Material	Tool No.
2-3/4	1-7/8	1	3/8	1/4	7/16	1/2 & 3/4	C-008**	5/8 to 1	SC554
3-3/8	2-1/2	1-1/8	7/16	1/4	7/16	1 & 1-1/4	C-017***	5/8 to 1-1/8	SC556
2-3/4	1-7/8	1-3/4	11/16	3/8	7/16	1/2 & 3/4	C-008**	3/4 to 1-3/4	SC558
3-1/4	2-3/8	1-3/4	11/16	3/8	7/16	1 & 1-1/4	C-041***	3/4 to 1-3/4	SC557
3-1/2	2-1/2	2-1/8	13/16	1/2	1/2	1 & 1-1/4	C-017***	1 to 2-1/8	SC559

STILE & RAIL CABINET DOOR SET FOR 1" TO 1-3/8" MATERIAL

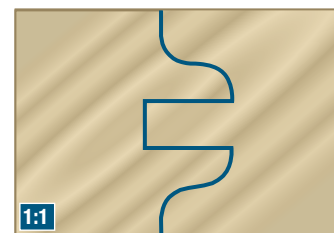
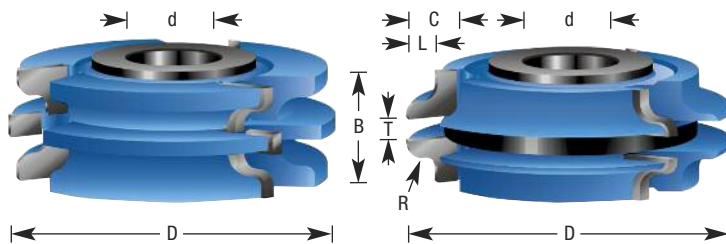
Bead



ØD	C	B	T	L	R	Ød	Rub Collar	Tool No.
3-9/16	3/8	1-3/8	1/4	7/16	9/32	1 & 1-1/4	C-019***	SC562

STILE & RAIL CABINET DOOR SET FOR 1" TO 1-3/16" MATERIAL

Ogee

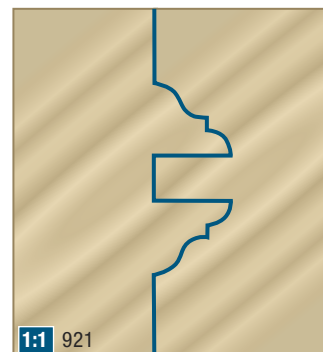
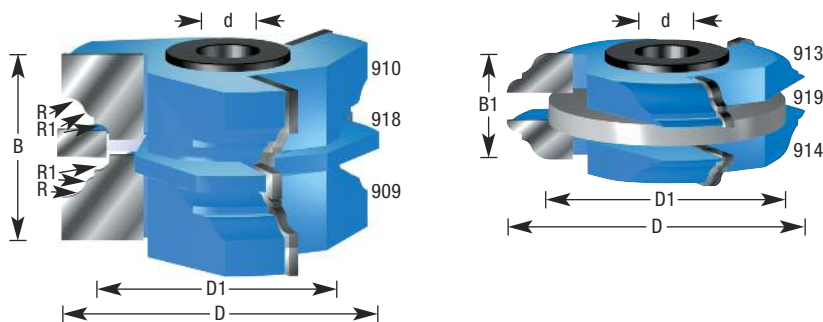


ØD	C	B	T	L	R	Ød	Rub Collar	Tool No.
3-9/16	3/8	1-3/16	1/4	7/16	5/32	1 & 1-1/4	C-019***	SC564

*Rub collar for 1/2" arbor only! **Rub collar for 3/4" arbor only! ***Rub collar for 1-1/4" arbor only!

STILE & RAIL CABINET DOOR SET FOR 1" TO 1-3/4" MATERIAL

Cabinet Molding Set with 1/4"W X 3/8"D Tongue & Groove



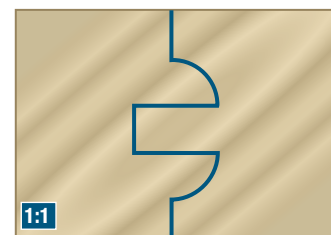
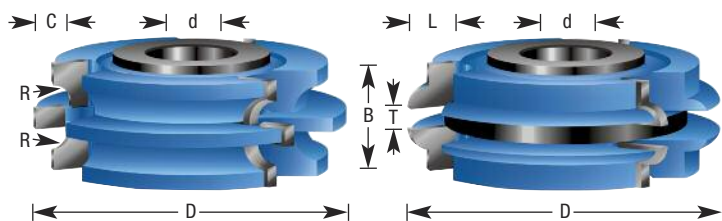
ØD	ØD1	B	B1	R	R1	Ød	Rub Collar	Tool No.
2-5/8	1-7/8	1-13/16	1	1/8	5/32	1/2 & 3/4	C-008**	921

Includes:

Cabinet R.H. female	909
Cabinet L.H. female	910
Cabinet L.H. male	913
Cabinet R.H. male	914
1/4" Straight	918
Steel spacer	919
'T' bushing, 1/2" x 3/4" (4 pcs.)	BU-550
Sleeve bushing, 1/2" x 3/4" x 1/2" long	BU-900
Sleeve bushing, 1/2" x 3/4" x 1-1/8" long	BU-930

STILE & RAIL CABINET DOOR SET FOR 7/8" TO 1-3/16" MATERIAL

Concave



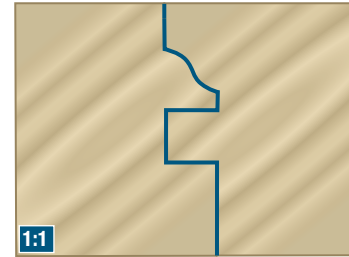
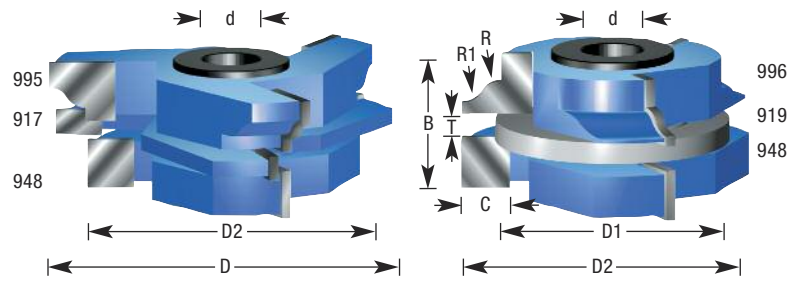
ØD	C	B	T	L	R	Ød	Rub Collar	Tool No.
2-7/8	1/4	1-3/16	1/4	7/16	15/64	1/2 & 3/4	C-009***	SC460

*Rub collar for 1/2" arbor only! **Rub collar for 3/4" arbor only! ***Rub collar for 1-1/4" arbor only!

For rub collars & bushings, see pages 371-372.

STILE & RAIL CABINET DOOR SET FOR 1-5/16" MATERIAL

Ogee



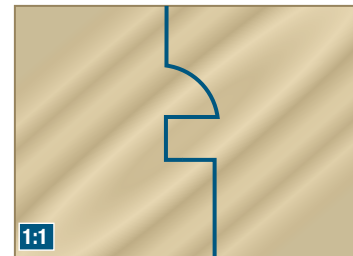
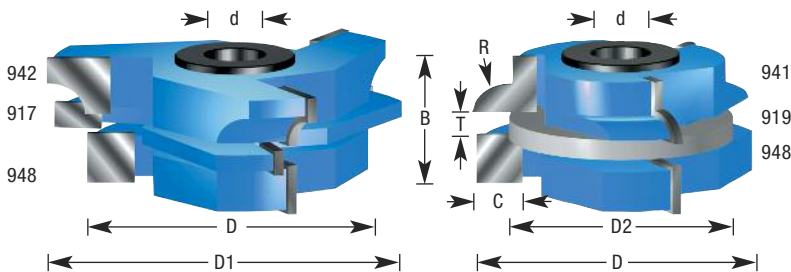
ØD	D1	D2	B	T	C	R	R1	Ød	Rub Collar	Tool No.
3-1/8	1-7/8	2-1/2	1-5/16	1/4	5/16	3/16	5/32	1/2 & 3/4	C-008, C-016**	994

Includes:

1/2" straight (2 pcs.)	948
1/4" straight	917
Steel spacer	919
Ogee stile	995
Rail for ogee stile	996
'T' bushing, 1/2" x 3/4" (4 pcs.)	BU-550
Sleeve bushing, 1/2" x 3/4" x 3/4" long (2 pcs.)	BU-910

STILE & RAIL CABINET DOOR SET FOR 1-5/16" MATERIAL

Concave



ØD	ØD1	ØD2	B	T	R	C	Ød	Rub Collars	Tool No.
2-1/2	1-7/8	3-1/8	1-17/64	1/4	5/16	5/16	1/2 & 3/4	C-008, C-016**	940

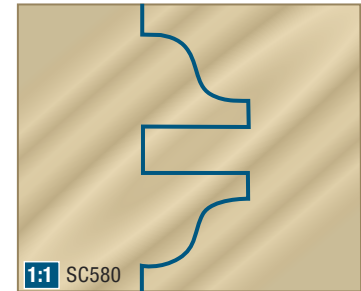
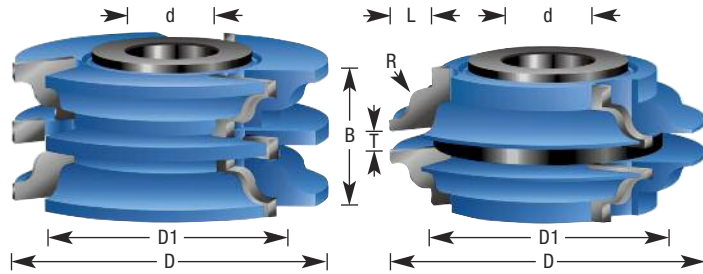
Includes:

Concave stile	941
Rail for concave stile	942
1/2" straight (2 pcs.)	948
1/4" straight	917
Steel spacer	919
'T' bushing, 1/2" x 3/4" (4 pcs.)	BU-550
Sleeve bushing, 1/2" x 3/4" x 3/4" long (2 pcs.)	BU-910

*Rub collar for 1/2" arbor only! **Rub collar for 3/4" arbor only! ***Rub collar for 1-1/4" arbor only!

STILE & RAIL CABINET DOOR SETS FOR 1-3/8" MATERIAL

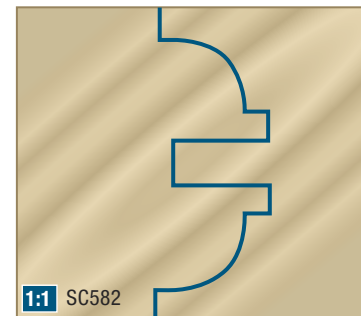
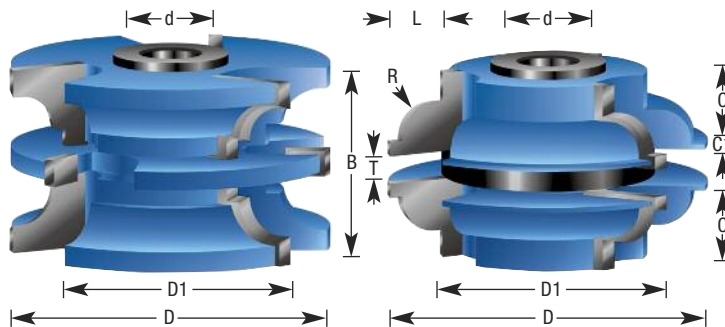
Ogee



ØD	B	D1	T	L	R	Ød	Rub Collar	Tool No.
3-9/16	1-1/2	—	1/4	9/16	3/16	1 & 1-1/4	C-017***	SC580
3-9/16	1-3/4	2-1/2	1/2	17/32	3/16	1 & 1-1/4	C-017***	SC581

STILE & RAIL CABINET DOOR SETS FOR 1-9/16" MATERIAL

Bead



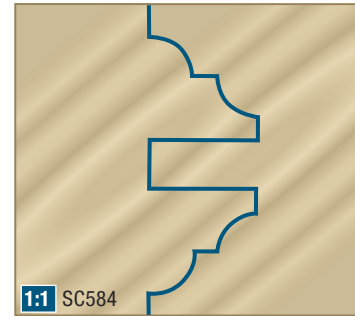
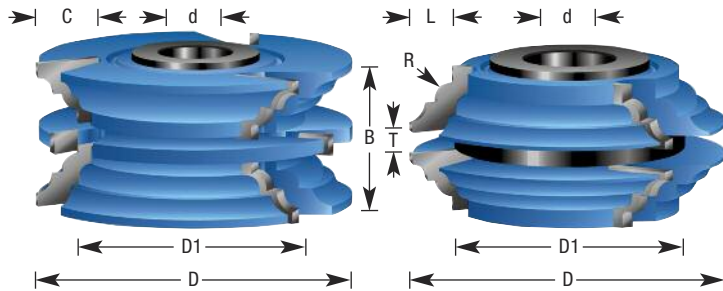
ØD	D1	B	L	C	C1	R	T	Ød	Rub Collar	Tool No.
2-27/32	1-27/32	1-9/16	1/2	17/32	1/8	5/16	7/32	1/2 & 3/4	C-007**	SC582
3-9/16	2-9/16	1-9/16	1/2	17/32	1/8	5/16	7/32	1 & 1-1/4	C-018***	SC583

*Rub collar for 1/2" arbor only! **Rub collar for 3/4" arbor only! ***Rub collar for 1-1/4" arbor only!

For rub collars & bushings, see pages 371-372.

STILE & RAIL CABINET DOOR SETS FOR 1-3/8" TO 1-5/8" MATERIAL

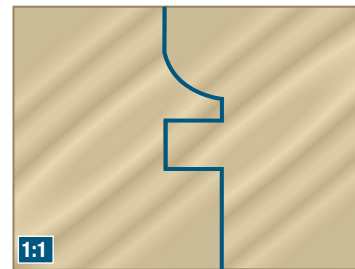
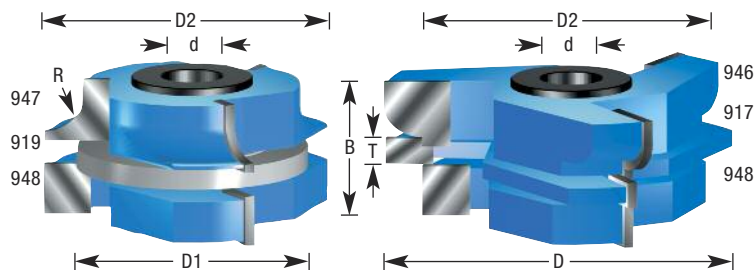
Bead & Cove



ØD	ØD1	C	B	T	L	R	Ød	Rub Collars	Tool No.
3-9/16	2-7/16	9/16	1-9/16	1/4	9/16	3/16	1/2 & 3/4	C-039**	SC585
3-9/16	—	7/8	1-5/8	1/4	9/16	13/64	1 & 1-1/4	C-018***	SC584

STILE & RAIL CABINET DOOR SET FOR 1-3/8" MATERIAL

Convex



ØD	ØD1	ØD2	B	T	R	Ød	Rub Collars	Tool No.
3-1/8	1-7/8	2-1/2	1-23/64	1/4	5/16	1/2 & 3/4	C-008, C-016**	945

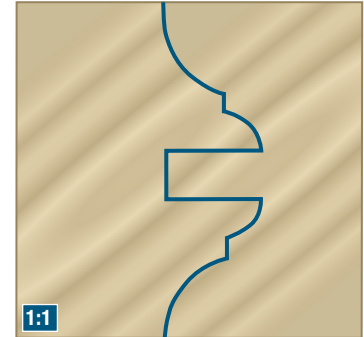
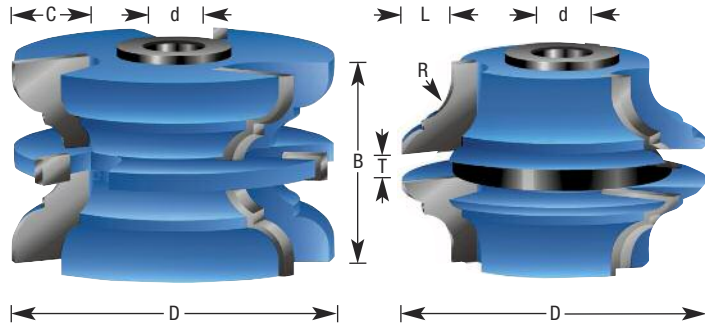
Includes:

Convex stile	946
Rail for convex stile	947
1/2" straight (2 pcs.)	948
1/4" straight	917
Steel spacer	919
'T' bushing, 1/2" x 3/4" (4 pcs.)	BU-550
Sleeve bushing, 1/2" x 3/4" x 3/4" long (2 pcs.)	BU-910

*Rub collar for 1/2" arbor only! **Rub collar for 3/4" arbor only! ***Rub collar for 1-1/4" arbor only!

STILE & RAIL EXTERIOR DOOR SET FOR 1-3/4" MATERIAL

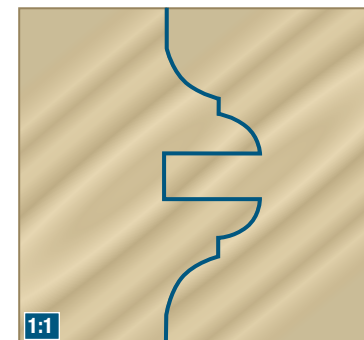
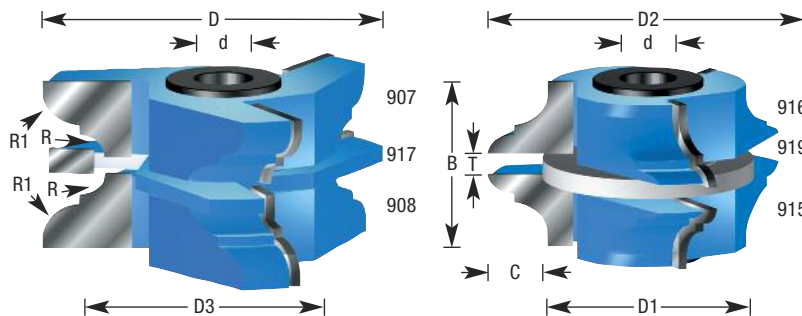
Bead & Cove



ØD	C	B	T	L	R	Ød	Rub Collar	Tool No.
2-7/8	1/2	1-3/4	1/4	1/2	21/64	1/2 & 3/4	C-008**	SC590

STILE & RAIL EXTERIOR DOOR SET FOR 1-3/4" MATERIAL

Cove & Bead



ØD	ØD1	ØD2	ØD3	T	C	B	R	R1	Ød	Rub Collars	Tool No.
3-1/8	1-7/8	2-15/16	2-1/16	1/4	17/32	1-3/4	15/64	11/32	1/2 & 3/4	C-008, C-022**	922 †

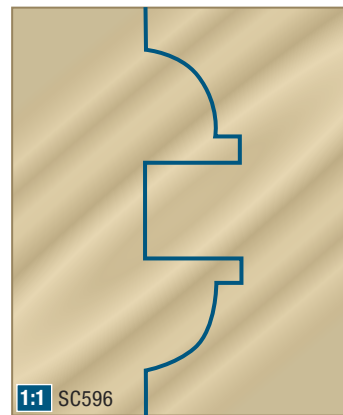
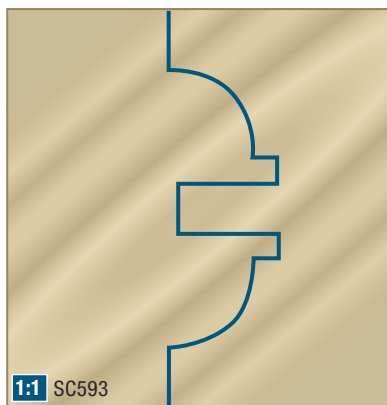
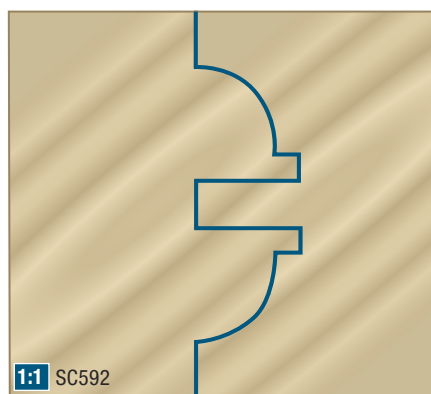
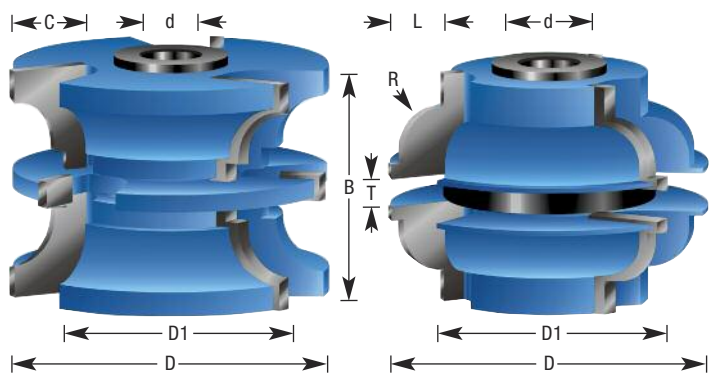
† For replacement cutters, see references in above drawing.

*Rub collar for 1/2" arbor only! **Rub collar for 3/4" arbor only! ***Rub collar for 1-1/4" arbor only!

For rub collars & bushings, see pages 371-372.

STILE & RAIL EXTERIOR DOOR SETS FOR 1-3/4" TO 2-1/8" MATERIAL

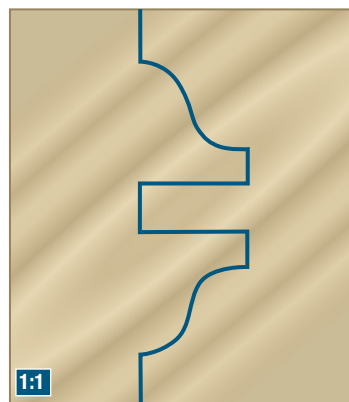
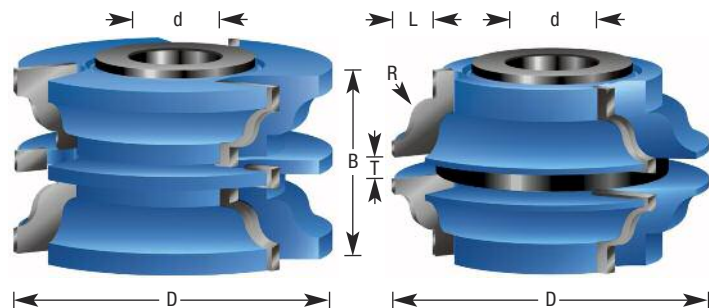
Bead



ØD	ØD1	C	B	T	L	R	Ød	Rub Collar	Tool No.
3-11/32	2-5/16	33/64	1-31/32	1/4	9/16	25/64	1 & 1-1/4	C-040***	SC593
2-7/8	1-13/16	17/32	2	1/4	9/16	25/64	1/2 & 3/4	C-007**	SC592
3-17/32	2-17/32	1/2	2-1/8	1/2	1/2	25/64	1 & 1-1/4	C-018***	SC596

STILE & RAIL EXTERIOR DOOR SET FOR 2" MATERIAL

Ogee

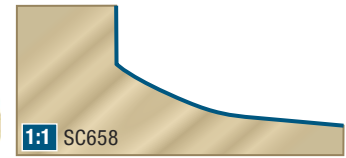
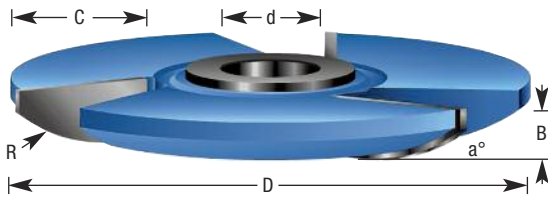


ØD	B	T	L	R	Ød	Rub Collars	Tool No.
3-9/16	2-1/16	1/4	9/16	1/4	1 & 1-1/4	C-018***	SC594

*Rub collar for 1/2" arbor only! **Rub collar for 3/4" arbor only! ***Rub collar for 1-1/4" arbor only!

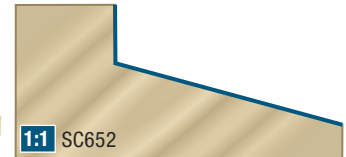
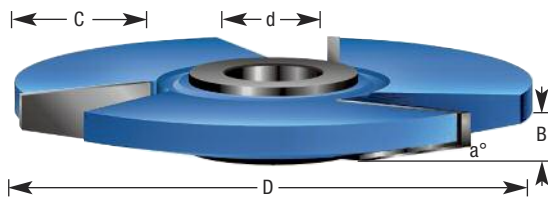
RAISED PANEL FOR 5/8" MATERIAL

Cove



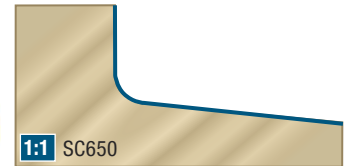
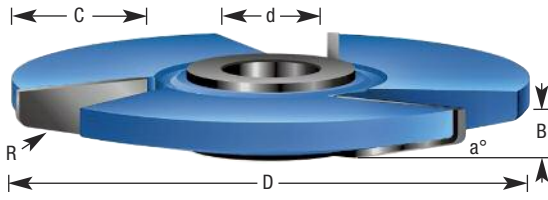
ØD	B	C	R	a°	Ød	Rub Collar	Tool No.
4-5/8	5/8	1-3/16	2-23/64	6°	1/2 & 3/4	C-005**	SC658
5-1/2	5/8	1-1/2	1-29/32	6°	1 & 1-1/4	C-017***	SC514

Traditional



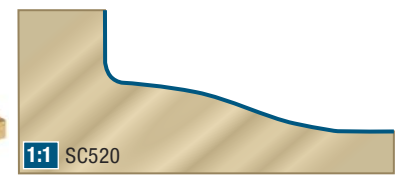
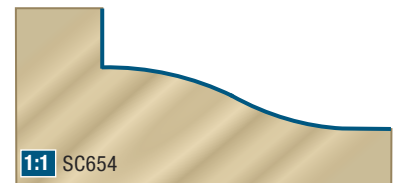
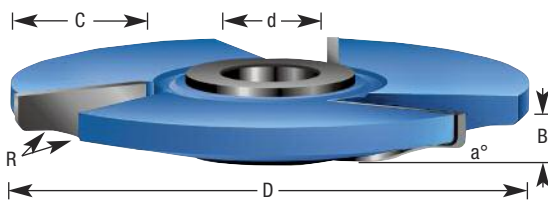
ØD	B	C	a°	Ød	Rub Collar	Tool No.
4-5/8	5/8	1-3/16	15°	1/2 & 3/4	C-005**	SC652
5-1/2	5/8	1-1/2	12°	1 & 1-1/4	C-017***	SC516

Traditional



ØD	B	C	R	a°	Ød	Rub Collar	Tool No.
4-5/8	5/8	1-3/16	5/32	5°	1/2 & 3/4	C-005**	SC650
5-1/2	5/8	1-1/2	1/8	12°	1 & 1-1/4	C-017***	SC518

Ogee



ØD	B	C	R	Ød	Rub Collar	Tool No.
4-5/8	5/8	1-3/16	1-1/2	1/2 & 3/4	C-005**	SC654
5-1/2	5/8	1-1/2	1-9/16	1 & 1-1/4	C-017***	SC520

*Rub collar for 1/2" arbor only! **Rub collar for 3/4" arbor only! ***Rub collar for 1-1/4" arbor only!

For rub collars & bushings, see pages 371-372.

RAISED PANEL FOR 5/8" MATERIAL

Classical

$\varnothing D$	B	C	R	a°	$\varnothing d$	Rub Collar	Tool No.
4-5/8	5/8	1-3/16	1/8	12°	1/2 & 3/4	C-005**	SC656
5-1/2	5/8	1-1/2	5/32	7°	1 & 1-1/4	C-017***	SC522

Classical

$\varnothing D$	B	C	R	$\varnothing d$	Rub Collar	Tool No.
5	5/8	1-1/2	1/8	1/2 & 3/4	C-010**	SC690
5-1/2	5/8	1-1/2	1/8	1 & 1-1/4	C-017***	SC524

Classical

$\varnothing D$	B	C	R	$\varnothing d$	Rub Collar	Tool No.
5-1/2	5/8	1-1/2	9/64	1 & 1-1/4	C-017***	SC526

Classical

$\varnothing D$	B	C	R	a°	$\varnothing d$	Rub Collar	Tool No.
5	5/8	1-1/2	5/32	4°	1/2 & 3/4	C-010**	SC694
5-1/2	5/8	1-1/2	5/32	4°	1 & 1-1/4	C-017***	SC528

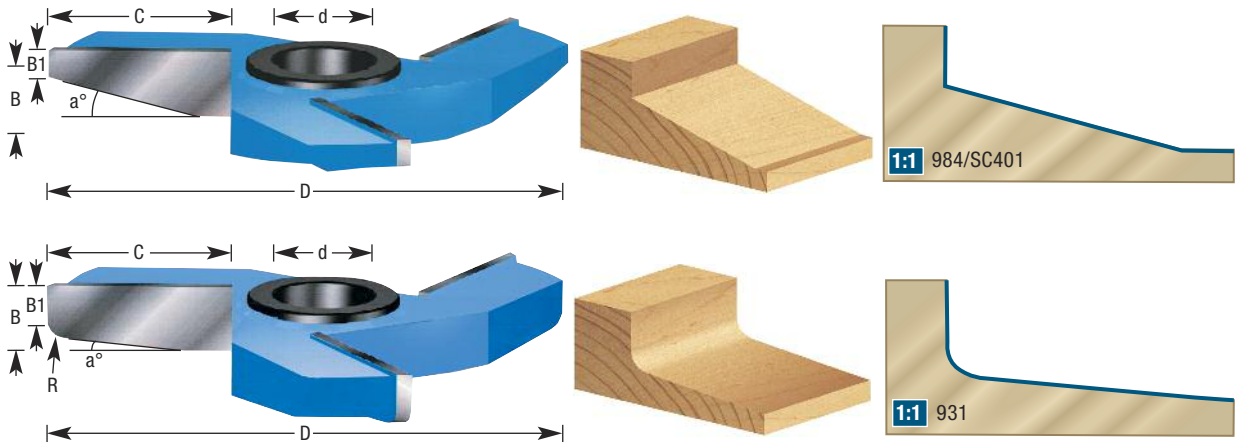
Ogee

$\varnothing D$	B	C	R	R1	a°	$\varnothing d$	Rub Collar	Tool No.
5-1/2	5/8	1-1/2	1-5/16	1-15/16	28°	1 & 1-1/4	C-017***	SC530

*Rub collar for 1/2" arbor only! **Rub collar for 3/4" arbor only! ***Rub collar for 1-1/4" arbor only!

RAISED PANEL FOR 5/8" MATERIAL

Horizontal Panel Raising / Shear Face • Traditional



ØD	B	B1	R	C	a°	Ød	Rub Collar	Tool No.
4-5/8	5/8	5/16	-	1-1/2	15°	1/2 & 3/4	C-005**	SC401
5-1/2	5/8	5/16	-	1-1/2	15°	1 & 1-1/4	C-017***	984
5-1/2	5/8	3/8	5/32	1-1/2	5°	1 & 1-1/4	C-017***	931

Note: Reveal (C) shown on all above tools reflects the total length of cut. Therefore, you must deduct 3/8" (usually) for allowing the panel to recess into the frame. Replacement 'T' bushings #BU-720 (2 required).

RAISED PANEL FOR 5/8" MATERIAL

Vertical Panel Raising / Shear Face • Traditional



ØD	B	B1	C	a°	Ød	Rub Collar	Tool No.
3-1/2	5/8	5/16	1-5/8	15°	1/2 & 3/4	47822**	984-VC

Note: Reveal (C) shown on all above tools reflects the total length of cut. Therefore, you must deduct 3/8" (usually) for allowing the panel to recess into the frame. Replacement 'T' bushings #BU-720 (2 required).

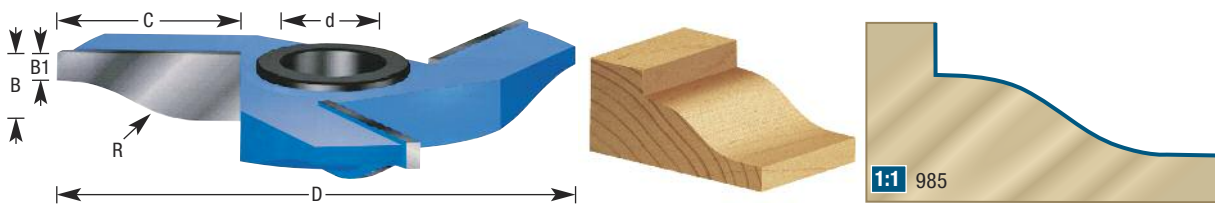
*Rub collar for 1/2" arbor only! **Rub collar for 3/4" arbor only! ***Rub collar for 1-1/4" arbor only!

For rub collars & bushings, see pages 371-372.

RAISED PANEL FOR 11/16" MATERIAL

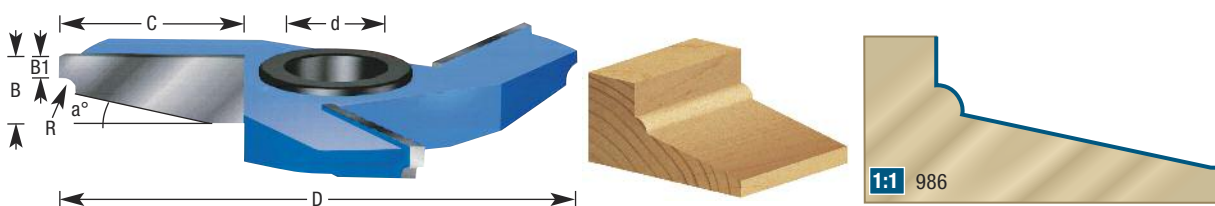
Horizontal Panel Raising / Shear Face

Ogee



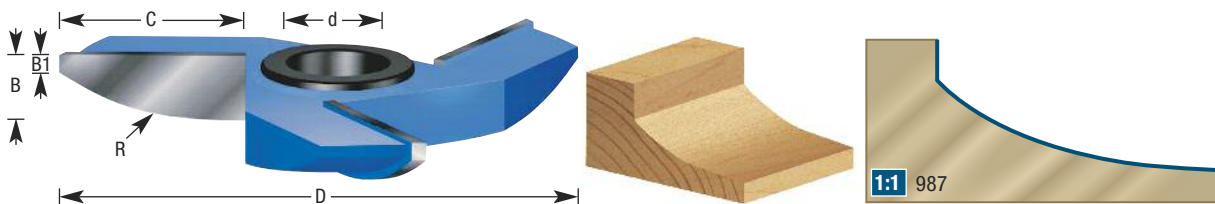
ØD	B	B1	R	C	Ød	Rub Collar	Tool No.
4-5/8	11/16	9/32	7/8	1-1/2	1/2 & 3/4	C-005**	SC403
5-1/2	11/16	9/32	3/4	1-1/2	1 & 1-1/4	C-017***	985

Classical



ØD	B	B1	R	C	a°	Ød	Rub Collar	Tool No.
4-5/8	11/16	11/32	1/8	1-1/2	12°	1/2 & 3/4	C-005**	SC405
5-1/2	11/16	11/32	1/8	1-1/2	12°	1 & 1-1/4	C-017***	986

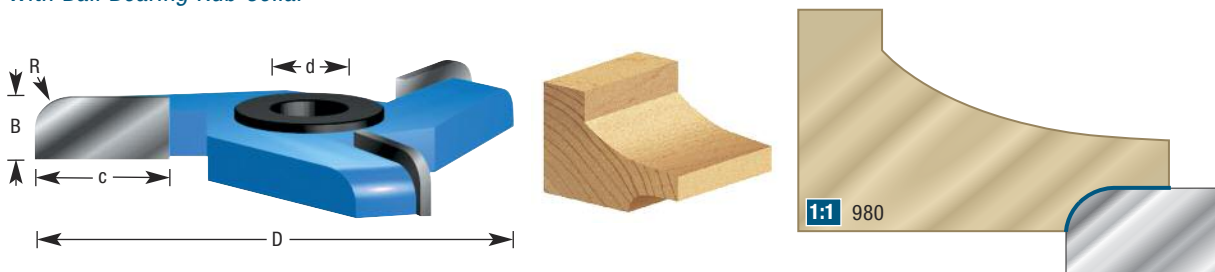
Cove



ØD	B	B1	R	C	Ød	Rub Collar	Tool No.
4-5/8	11/16	7/32	2-1/2	1-1/2	1/2 & 3/4	C-005**	SC407
5-1/2	11/16	1/4	1-9/16	1-1/2	1 & 1-1/4	C-017***	987

RAISED PANEL BACK

With Ball Bearing Rub Collar

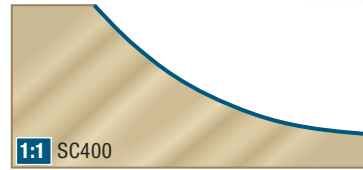
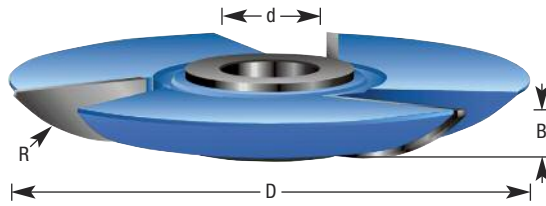


ØD	B	R	C	Ød	Rub Collar	Tool No.
3-1/2	1/2	1/4	7/8	1/2 & 3/4	C-006**	980
3-39/64	1/2	1/4	7/8	1 & 1-1/4	C-045***	989

*Rub collar for 1/2" arbor only! **Rub collar for 3/4" arbor only! ***Rub collar for 1-1/4" arbor only!

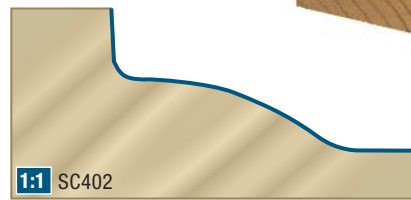
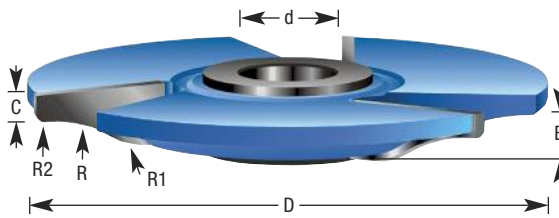
RAISED PANEL FOR 3/4" MATERIAL

Cove



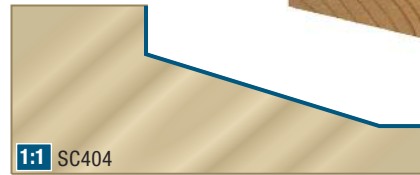
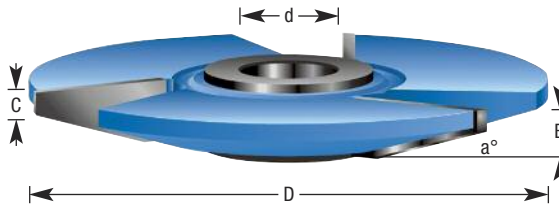
ØD	B	R	Ød	Rub Collar	Tool No.
4-15/16	11/16	1-57/64	1/2 & 3/4	C-004**	SC400
5-1/2	5/8	1-57/64	1 & 1-1/4	C-017***	SC500

Ogee



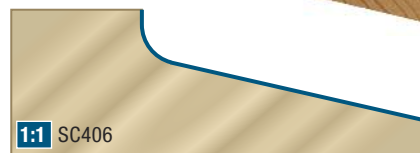
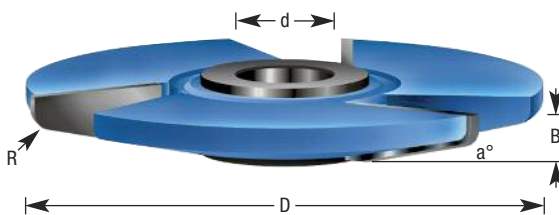
ØD	B	C	R	R1	R2	Ød	Rub Collar	Tool No.
4-15/16	23/32	3/8	1-15/32	7/8	7/8	1/2 & 3/4	C-004**	SC402
5-1/2	5/8	5/16	1-15/32	1/8	7/8	1 & 1-1/4	C-017***	SC502

Traditional



ØD	B	C	a°	Ød	Rub Collar	Tool No.
4-15/16	5/8	1/4	17°	1/2 & 3/4	C-004**	SC404
5-1/2	5/8	1/4	17°	1 & 1-1/4	C-017***	SC504

Traditional



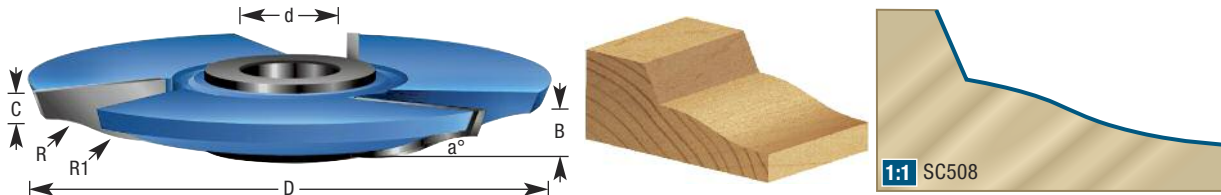
ØD	B	R	a°	Ød	Rub Collar	Tool No.
4-15/16	9/16	13/64	13°	1/2 & 3/4	C-004**	SC406
5-1/2	5/8	13/64	13°	1 & 1-1/4	C-017***	SC506

*Rub collar for 1/2" arbor only! **Rub collar for 3/4" arbor only! ***Rub collar for 1-1/4" arbor only!

For rub collars & bushings, see pages 371-372.

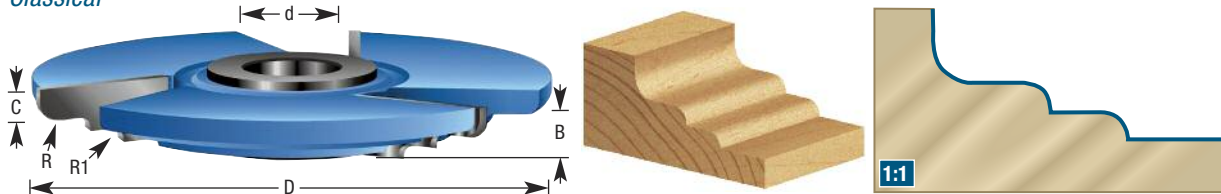
RAISED PANEL FOR 3/4" MATERIAL

Ogee



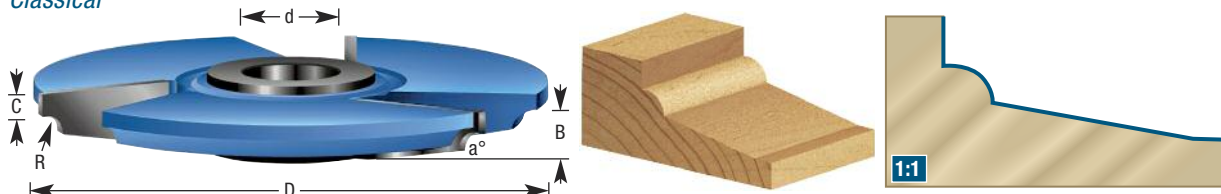
ØD	B	C	R	R1	a°	Ød	Rub Collar	Tool No.
4-15/16	11/16	3/8	1-31/32	1-3/8	23°	1/2 & 3/4	C-004**	SC408
5-1/2	5/8	5/16	1-31/32	1-31/32	23°	1 & 1-1/4	C-017***	SC508

Classical



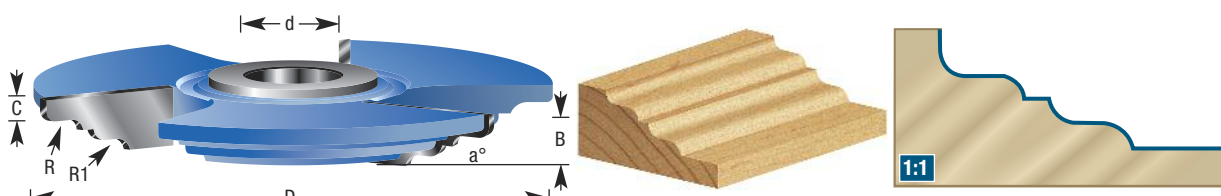
ØD	B	C	R	R1	Ød	Rub Collar	Tool No.
5-1/2	5/8	3/8	13/64	1/8	1 & 1-1/4	C-017***	SC510

Classical



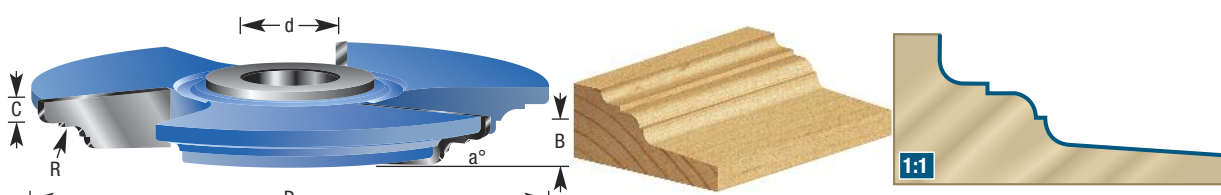
ØD	B	C	R	a°	Ød	Rub Collar	Tool No.
5-1/2	5/8	1/4	13/64	10°	1 & 1-1/4	C-017***	SC512

Cove & Corner Round



ØD	B	C	R	R1	Ød	Rub Collar	Tool No.
5-1/2	5/8	1/4	1/8	5/32	1 & 1-1/4	C-017***	SC509

Cove & Corner Round



ØD	B	C	R	a°	Ød	Rub Collar	Tool No.
5-1/2	5/8	1/4	1/8	4°	1 & 1-1/4	C-017***	SC511

*Rub collar for 1/2" arbor only! **Rub collar for 3/4" arbor only! ***Rub collar for 1-1/4" arbor only!