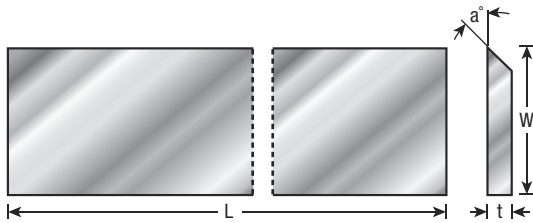


HSS PLANER & JOINTER INDIVIDUAL KNIVES

T-1 High-Speed Steel (HSS) 18% Tungsten

Sold individually.



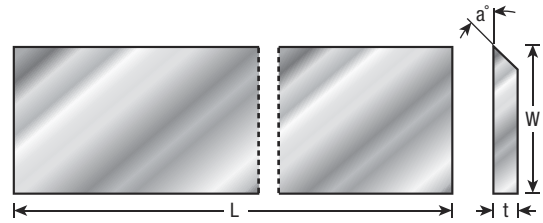
L	W	t	a°	Tool No.
15	1	1/8	45°	P 445
16	1	1/8	45°	P 442
20	1	1/8	45°	P 450
20	35mm	1/8	45°	P 455
24	1	1/8	45°	P 480
24	1-1/4	1/8	45°	P 490
24	35mm	1/8	45°	P 495
25	3/4	1/8	45°	P 560
25	1	1/8	45°	P 580
25	1-1/4	1/8	45°	P 590
25	35mm	1/8	45°	P 595
31	1	1/8	45°	P 650
31	1-1/4	1/8	45°	P 660
37	5/8	1/8	45°	P 700
37	3/4	1/8	45°	P 710
37	7/8	1/8	45°	P 715
37	1	1/8	45°	P 720
37	1-1/8	1/8	45°	P 726
37	1-1/4	1/8	45°	P 730
37	1-1/2	1/8	45°	P 772
37	5/8	3/32	45°	P 740
37	3/4	3/32	45°	P 750
37	3/4	5/32	45°	P 712
37	1-1/8	5/32	45°	P 762
37	1-1/2	5/32	45°	P 774

Metric Sizes

L	W	t	a°	Tool No.
10	30mm	1/8	45°	P 432
37	30mm	3mm	45°	P 727
37	35mm	1/8	45°	P 735
300mm	35mm	3mm	45°	P 731 <i>New</i>
350mm	35mm	3mm	45°	P 733 <i>New</i>
400mm	35mm	3mm	45°	P 732
450mm	35mm	3mm	45°	P 737 <i>New</i>
500mm	35mm	3mm	45°	P 734
610mm	35mm	3mm	45°	P 738 <i>New</i>
1 meter	3/4	3mm	45°	P 460
1 meter	35mm	3mm	45°	P 458

HSS PLANER & JOINTER KNIFE SETS

T-1 High-Speed Steel (HSS) • 18% Tungsten



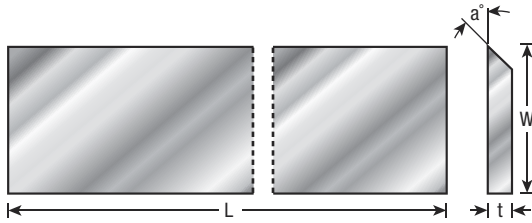
L	W	t	a°	Knives Per Set	Tool No.
4	5/8	1/8	45°	3	P 100
4-3/8	5/8	1/8	45°	3	P 130
6	5/8	1/8	45°	3	P 150
6	5/8	1/8	45°	4	P 160
6	3/4	1/8	45°	3	P 165
6	7/8	1/8	45°	3	P 170
6-1/16	5/8	3/32	45°	3	P 190
6-1/8	5/8	1/8	45°	3	P 220
6-1/8	3/4	1/8	45°	3	P 230
8	5/8	1/16	45°	4	P 250
8	5/8	1/8	45°	3	P 270
8	3/4	1/16	45°	3	P 280
8	3/4	1/8	45°	3	P 290
8	3/4	1/8	45°	4	P 294
8	7/8	1/8	45°	3	P 300
8	1	1/8	45°	3	P 310
8-1/16	5/8	3/32	45°	3	P 340
12	5/8	1/8	45°	3	P 360
12	3/4	1/8	45°	3	P 370
12	7/8	1/8	45°	3	P 380
12	1	1/8	45°	3	P 390
12	1-1/4	1/8	45°	3	P 395
12-1/4	3/4	1/8	45°	3	P 410
12-1/2	7/8	1/8	45°	3	P 430
12-1/2	11/16	1/8	45°	3	P 431
13-1/8	11/16	5/32	45°	3	P 440
16-1/4	1-1/4	5/32	45°	3	P 443
18	1-1/4	5/32	45°	3	P 444
18-1/8	1-1/8	5/32	45°	3	P 446
18-1/4	1-1/4	5/32	45°	3	P 448

L	W	t	a°	Knives Per Set	Tool No.
100mm	30mm	3mm	45°	4	P 120
130mm	30mm	3mm	45°	4	P 140
150mm	30mm	3mm	45°	4	P 180
180mm	30mm	3mm	45°	4	P 240

PLANER & JOINTER KNIVES

Solid Carbide

Ready to use: fully ground and honed solid carbide micro-grain planer & jointer knives. All knives are bevel-edged, and are perfectly parallel and flat, with no mounting holes or slots. Mirror finish, ground from 600 grit diamond wheels. Sold each.



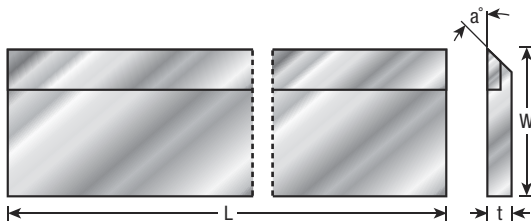
L	W	t	a°	Tool No.
4	5/8	1/8	45°	PSC-100
4	3/4	1/8	45°	PSC-110
6	3/4	1/8	45°	PSC-130
8	5/8	1/8	45°	PSC-140
8	3/4	1/8	45°	PSC-150
12	3/4	1/8	45°	PSC-160
12-1/2	3/4	.088	45°	PSC-170*

* Double-sided (reversible) knives for Delta 12-1/2" planer, mode; #540.

PLANER & JOINTER KNIVES

Carbide Tipped

An economical alternative to solid carbide knives. Longer tool life than standard HSS knives.



L	W	t	a°	Tool No.
4	3/4	1/8	45°	CTP-100
6	5/8	1/8	45°	CTP-110
6	3/4	1/8	45°	CTP-120
8	5/8	1/8	45°	CTP-130
8	3/4	1/8	45°	CTP-140
12	3/4	1/8	45°	CTP-150
15	1	1/8	45°	CTP-170
20	1	1/8	45°	CTP-200

PORTABLE PLANER KNIVES

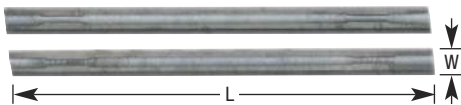
Solid Carbide

Solid carbide reversible knives designed for many popular 3-1/4" machines.

The ICK-100 (82mm) will fit many models by AEG, Bosch, Hitachi, Makita, Metabo, Ryobi, Skil, etc.

The ICK-200 (82.7mm) will fit many models by Black & Decker.

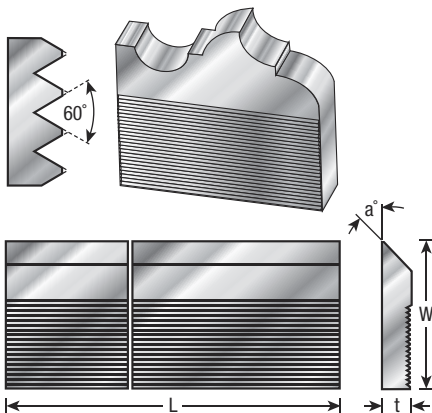
Includes one pair of 2-sided (reversible) knives.



L	W	Thickness	Tool No.
82mm (3-1/4)	5.5mm	1.12mm	ICK-100
82.7mm (3-1/4)	5.5mm	1.12mm	ICK-200

CORRUGATED BACK MOULDER STEEL

M-2 High-Speed Steel (HSS)



L	W	a°	Tool No. t = 1/4"	Tool No. t = 5/16"
25	1-1/4	45°	CSK-100	CSK-300
25	1-1/2	45°	CSK-110	CSK-310
25	1-3/4	45°	CSK-120	CSK-320
25	2	45°	CSK-130	CSK-330
25	2-1/4	45°	CSK-140	CSK-340
25	2-1/2	45°	CSK-150	CSK-350
25	2-3/4	45°	CSK-160	CSK-360
25	3	45°	CSK-170	CSK-370

DICUT™ LAMINATE CUTTER

Carbide Tipped

Quality craftsmanship in your work requires the highest quality in hand tools. Dicut™ is a precision cutting tool made with perfectly ground carbide edges for fast, accurate cutting and scoring of laminates, plastics, Plexiglas® and other materials. Tool features lightweight steel construction, special 'safety-grip' plastic coated handle, and carbide-tips that can be re-sharpened. Packaged in a colorful, attractive clamshell.

Useful for precision cutting of: Formica®, plastic, and Plexiglas.®

Description	Tool No.
Dicut™ Laminate Cutter	20003



SWIVEL DE-BURRING REAMER & SCRAPER

Solid Carbide

Excellent general purpose shop tools for scraping, hole de-burring, etc. Both tools feature large ergonomically designed handles and solid carbide replaceable blades.

Description	Application	Tool No.
Carbide Swivel De-Burring Reamer	Laminate Trimming, "Safe-Edging", Hole De-Burring	20006
Replacement Blade For Above	—	20007
Carbide Hole Scraper	General Purpose	20008
Replacement Blade For Above	—	20009



MAGNETIC KNIFE SETTER

For Planers & Jointers

- Precise adjustments for leveling knives.
- Tool is calibrated with metric dimensions.
- Simple to use.
- Heavy duty magnets.
- Spring loaded magnetized ceramic stop.
- Works with size drums or knives.
- Includes wooden box with instructions.

Description	Tool No.
Universal Knife Setter	MKS-100

