

# Home Storage and Organization

Kitchen | Bath | Closet



KNAPE & VOGT



- Waste & Recycling
- Lazy Susans
- Drawer Inserts & Sink Front Trays
- Pull-Out Systems
- Specialty Storage
- Closet Accessories





## The KV® Waste & Recycle Complete Advantage

Knape & Vogt® is pleased to introduce the most comprehensive pull-out Waste & Recycle program in the industry. With the addition of three new product groups KV has a Waste & Recycle solution to fit any cabinet, or any budget.

KV's soft-close technology adds another level of KV quality and superior performance to the Waste & Recycle category.

KV's fresh, new look has created an interior design approach that works with any kitchen décor.

More products, budget-conscious pricing, soft-close, and a great new look— Knape & Vogt's Waste & Recycle program has every feature consumers want in today's kitchens.



## KV's New Frosted Nickel Finish

KV introduces a new finish, Frosted Nickel. Frosted Nickel is designed to coordinate with the popular nickel and stainless steel finishes preferred in today's modern kitchens and bathrooms. KV Frosted Nickel's softer, subtle look integrates seamlessly with any décor.

KV Frosted Nickel, a durable, proprietary process is earth-friendly, and a great alternative to chrome plating. KV's development of Frosted Nickel demonstrates it's commitment to environmental responsibility and support of KCMA's Environmental Stewardship Program.



**NEW!**

Soft-Close,  
Undermount Waste  
& Recycling Bins  
(Page 6)



**NEW!**

Eco-Friendly  
Frosted Nickel  
Wire Finish

## TABLE OF CONTENTS

2	Waste & Recycling
18	Lazy Susans
34	Drawer Inserts & Sink Front Trays
48	Pull-Out Systems
64	Specialty Storage
72	Closet Accessories
82	Index & Company Information

# Waste & Recycling

2

4

NEW FEATURES



NEW!

6

Soft-Close,  
Undermount



NEW!

7

Soft-Close,  
Top-Mount



NEW!

8

Soft-Close,  
Bottom-Mount



NEW!



9 Standard Top-Mount



11 Door Brackets & Handles



12 Specialty Series



14 Bins and Lids



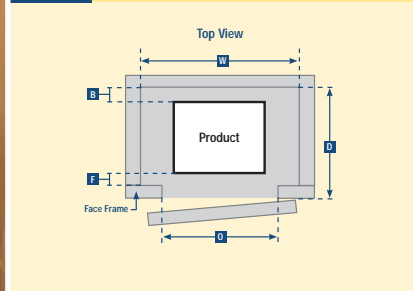
10 Standard Bottom-Mount



11 Door Brackets & Handles



15 Cabinet Dimensions



The new waste and recycling program from Knape and Vogt® is all you need, with solutions for any budget and application. It is complete with a total of five product series, including three different levels of soft-close options (see below). Each new product has been designed to maximize usable cabinet interior and opening space, where two bins can now often be used instead of only one. Multiple finish and size options fit all common cabinet opening sizes, making this one of the most extensive waste and recycling programs available today.

## NEW SOFT-CLOSE FEATURES

Each soft-close series includes:

- Soft-Close Technology
- Concealed Hardware
- Easier-to-Install Features
- Door-Leveling and Door-Centering Features
- New Bins and Optional Lids

## NEW Soft-Close, Undermount Series



Pg. 6

### Additional Features

- Undermount Technology
- Solid Backsplash and Floor
- New, Easy-to-Install Door-Mount Brackets
- Accommodates Overlay and Inset Door Styles

## NEW Soft-Close, Top-Mount Series



Pg. 7

### Additional Features

- Face Frame Adapter Mounting Hardware
- Accommodates Overlay Door Styles

## NEW Soft-Close, Bottom-Mount Series



Pg. 8

### Additional Features

- Eco-Friendly Wire Finish
- Accommodates Overlay Door Styles



Tel. 800.253.1561  
Fax 877.636.3290  
www.kv.com



### Soft-Close Slides

Soft-close slides now come standard on three KV® Waste & Recycling series products, making the world a quieter place by eliminating slamming and providing full closure every time.

### Concealed Slide Hardware

New product designs conceal slide hardware on all KV Soft-Close Waste & Recycling products (page 6-8), creating a smooth, tidy look that is also easy to clean.

### NEW Bins & NEW Lids

NEW bin styling is a welcomed update to the industry-standard "boxy" look, plus it integrates effortlessly with a NEW hardware system for a secure fit. Optional lids conceal bin contents and hold plastic bags securely in place, now available for any 20 or 35 qt. product.



QT20LB-PT (Lid) & QT20PB-PT (Bin)



### NEW Look & NEW Eco-Friendly Finish

NEW KV eco-friendly, Frosted Nickel finish (page 8) is compatible with the most popular nickel and stainless steel hardware and appliances, offering a soft and subtle alternative to chrome. Plus, NEW bins, lids, handles and hardware throughout create a NEW approach to waste and recycling that looks great with any kitchen decor.

### A Better Fit All Around

NEW features make installation faster and easier while also allowing individual products to be applied to a wider range of applications, door sizes and openings, creating a better fit all around.





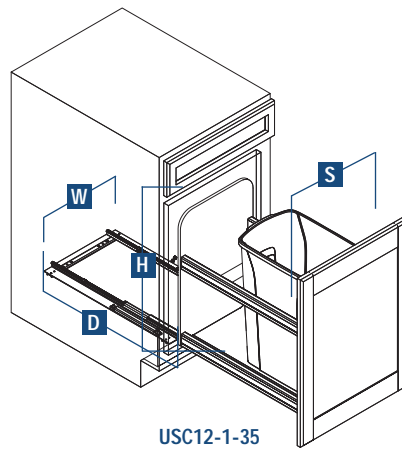
USC12-1-35WH  
(with optional QT35LB-W lid)



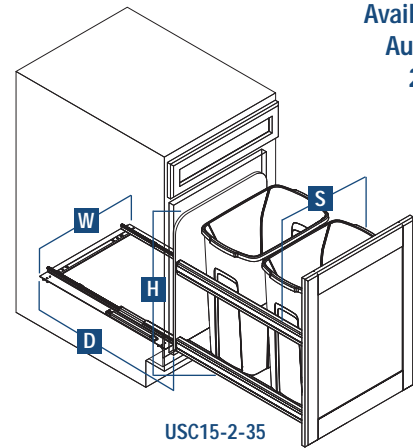
USC15-2-35PT  
(with custom rail accents)

**NEW!** Soft-Close, Undermount Waste & Recycling Bins (door-mounted)

- Heavy-duty, undermount slide with soft-close technology
- Installs in minutes using self-aligning brackets secured with only four screws
- Color coordinated aluminum side rails provide stability while concealing slide hardware
- Unique, washable, solid backplash and floor:
  - Prevents debris from falling through to floor/cabinet
  - Easy to clean
  - Conceals hardware
- Decorative rail accents can be customized to match countertops or cabinetry (see USC15-2-35PT above)
- NEW Bins with optional Lids (order Lids on page 14)



USC12-1-35



USC15-2-35

Available  
August  
2009

**NEW Door-Mount Bracket**

- Fits standard width opening up to door sizes 3" wider
- Simple, concealed two screw door-leveling
- Slotted screw holes allow for easy door-centering
- Accommodates overlay or inset doors



Stock #	Sliding Assembly		Assembled Product Dimensions			Finish	Capacity per Bin	# Bins	Units per Carton	Weight per Carton			
	S	Width	W	Width	H						Height*	D	Depth
<b>SINGLE BIN UNITS</b>													
USC12-1-35WH	11-13/16"	[299 mm]	11-13/16"	[299 mm]	19-3/16"	[487 mm]	22-7/16"	[570 mm]	White	35 Qt.	1	1	19.7 lbs. [8.9 kg.]
USC12-1-35PT	11-13/16"	[299 mm]	11-13/16"	[299 mm]	19-3/16"	[487 mm]	22-7/16"	[570 mm]	Platinum	35 Qt.	1	1	19.7 lbs. [8.9 kg.]
USC12-1-50WH	11-13/16"	[299 mm]	11-13/16"	[299 mm]	23-1/4"	[591 mm]	22-7/16"	[570 mm]	White	50 Qt.	1	1	22.1 lbs. [10 kg.]
USC12-1-50PT	11-13/16"	[299 mm]	11-13/16"	[299 mm]	23-1/4"	[591 mm]	22-7/16"	[570 mm]	Platinum	50 Qt.	1	1	22.1 lbs. [10 kg.]
<b>DOUBLE BIN UNITS</b>													
USC15-2-35WH	14-13/16"	[376 mm]	14-13/16"	[376 mm]	19-3/16"	[487 mm]	22-7/16"	[570 mm]	White	35 Qt.	2	1	23.5 lbs. [10.7 kg.]
USC15-2-35PT	14-13/16"	[376 mm]	14-13/16"	[376 mm]	19-3/16"	[487 mm]	22-7/16"	[570 mm]	Platinum	35 Qt.	2	1	23.5 lbs. [10.7 kg.]

\* If using lid, add 3/4".

30 lbs. maximum per bin, not to exceed 80 lbs. total weight. Not intended for bulk storage.



Tel. 800.253.1561  
Fax 877.636.3290  
www.kv.com

See pages 16-17 for recommended cabinet dimensions and clearances. See page 14 for bin and lid information.





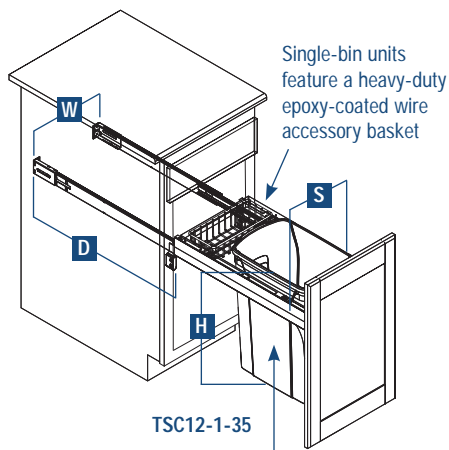
TSC12-1-35WH  
(with optional QT35LB-W lid)



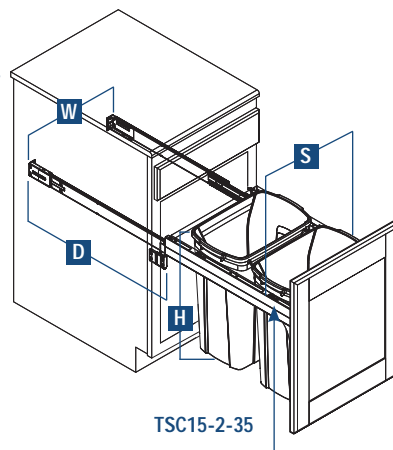
TSC15-2-35PT

**NEW!** Soft-Close, Top-Mount Waste & Recycling Bins (door-mounted)

- KV® heavy-duty, full-extension ball bearing slides with soft-close technology and 1" over-travel
- Door-mount brackets include six-way adjustability for precise door alignment and easy installation
- Unique KV Face Frame Adapter Mounting Hardware accommodates 1-3/4" face frame cabinets by allowing for installation in openings 1/2" smaller than standard sizes (excluding TSC15-2-35PT and TSC15-2-35WH).



TSC12-1-35  
New Bins and optional Lids (order Lids on page 14) fit securely into multi-ply birch veneered plywood with soft radius edges.



TSC15-2-35  
Color coordinated steel decorative slide hardware covers provide strength and stability while concealing slide hardware, creating a streamlined, easy-to-clean design.

Stock #	Sliding Assembly		Assembled Product Dimensions			Finish	Capacity per Bin	# Bins	Units per Carton	Weight per Carton
	S Width	W Width	H Height*	D Depth						
<b>SINGLE BIN UNITS</b>										
TSC12-1-35WH	11-13/16" [300 mm]	11-1/2" [292 mm]	17-1/2" [445 mm]	23-3/16" [589 mm]	White	35 Qt.	1	1	13.9 lbs. [6.3 kg.]	
TSC12-1-35PT	11-13/16" [300 mm]	11-1/2" [292 mm]	17-1/2" [445 mm]	23-3/16" [589 mm]	Platinum	35 Qt.	1	1	13.9 lbs. [6.3 kg.]	
TSC15-1-35WH	14-13/16" [376 mm]	14-1/2" [368 mm]	17-1/2" [445 mm]	23-3/16" [589 mm]	White	35 Qt.	1	1	14.7 lbs. [6.7 kg.]	
TSC15-1-35PT	14-13/16" [376 mm]	14-1/2" [368 mm]	17-1/2" [445 mm]	23-3/16" [589 mm]	Platinum	35 Qt.	1	1	14.7 lbs. [6.7 kg.]	
TSC15-1-50WH	14-13/16" [376 mm]	14-1/2" [368 mm]	21-5/8" [549 mm]	23-3/16" [589 mm]	White	50 Qt.	1	1	15.7 lbs. [7.1 kg.]	
TSC15-1-50PT	14-13/16" [376 mm]	14-1/2" [368 mm]	21-5/8" [549 mm]	23-3/16" [589 mm]	Platinum	50 Qt.	1	1	15.7 lbs. [7.1 kg.]	
<b>DOUBLE BIN UNITS</b>										
TSC15-2-35WH	14-13/16" [376 mm]	15" [381 mm]	17-1/2" [445 mm]	23-3/16" [589 mm]	White	35 Qt.	2	1	14.9 lbs. [6.8 kg.]	
TSC15-2-35PT	14-13/16" [376 mm]	15" [381 mm]	17-1/2" [445 mm]	23-3/16" [589 mm]	Platinum	35 Qt.	2	1	14.9 lbs. [6.8 kg.]	
TSC18-2-35WH	17-13/16" [452 mm]	17-1/2" [445 mm]	17-1/2" [445 mm]	23-3/16" [589 mm]	White	35 Qt.	2	1	15.6 lbs. [7.1 kg.]	
TSC18-2-35PT	17-13/16" [452 mm]	17-1/2" [445 mm]	17-1/2" [445 mm]	23-3/16" [589 mm]	Platinum	35 Qt.	2	1	15.6 lbs. [7.1 kg.]	

\* If using lid, add 3/4".

30 lbs. maximum per bin, not to exceed 80 lbs. total weight. Not intended for bulk storage.





BSC15-1-20WH




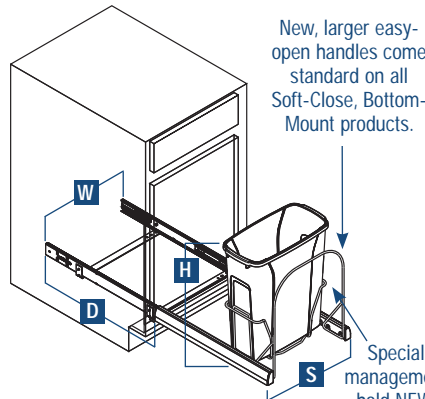
BSC15-2-35PT  
(with optional PDMKTPT Door Bracket Kit, see page 11)



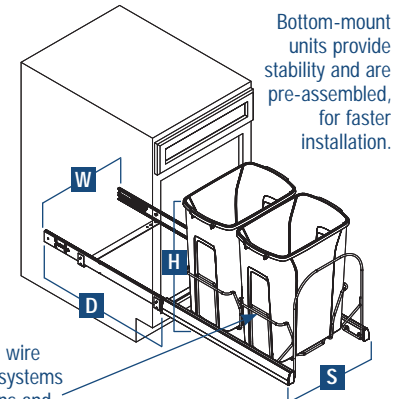
BSC24-4-27WH

**NEW!** Soft-Close, Bottom-Mount Waste & Recycling Bins (door-mount optional)

- KV® heavy-duty, full-extension ball bearing slides with soft-close technology and 1" over-travel
- Easy-to-clean plastic decorative slide hardware covers conceal hardware
-  NEW KV eco-friendly Frosted Nickel finish or White
- Easy installation with only four screws
- NEW optional Door-Mount Bracket with new features (order on page 11)



Single Sliding Waste Bins  
(BSC15-1-20 shown)



Double Sliding Waste Bins  
(BSC15-2-35 shown)

Stock #	Assembled Product Dimensions				Finish [Hardware/Bin]	Capacity # per Bin Bins	Units per Carton	Weight Carton
	Sliding Assembly S Width	W Width	H Height*	D Depth				
<b>SINGLE BIN UNITS</b>								
BSC9-1-20PT	8-3/4" [222 mm]	8-3/4" [222 mm]	17-5/16" [440 mm]	20-1/8" [511 mm]	Frosted Nickel/Platinum	20 Qt.	1	11.5 lbs. [5.2 kg.]
BSC9-1-20WH	8-3/4" [222 mm]	8-3/4" [222 mm]	17-5/16" [440 mm]	20-1/8" [511 mm]	White/White	20 Qt.	1	11.5 lbs. [5.2 kg.]
BSC10-1-35PT	9-3/4" [248 mm]	9-3/4" [248 mm]	18-13/16" [478 mm]	20-1/8" [511 mm]	Frosted Nickel/Platinum	35 Qt.	1	10.5 lbs. [4.8 kg.]
BSC10-1-35WH	9-3/4" [248 mm]	9-3/4" [248 mm]	18-13/16" [478 mm]	20-1/8" [511 mm]	White/White	35 Qt.	1	10.5 lbs. [4.8 kg.]
BSC12-1-50PT	11-3/4" [299 mm]	11-3/4" [299 mm]	22-7/8" [581 mm]	20-1/8" [511 mm]	Frosted Nickel/Platinum	50 Qt.	1	11.5 lbs. [5.2 kg.]
BSC12-1-50WH	11-3/4" [299 mm]	11-3/4" [299 mm]	22-7/8" [581 mm]	20-1/8" [511 mm]	White/White	50 Qt.	1	11.5 lbs. [5.2 kg.]
BSC15-1-20PT	14-3/4" [375 mm]	14-3/4" [375 mm]	17-5/16" [440 mm]	20-1/8" [511 mm]	Frosted Nickel/Platinum	20 Qt.	1	10.7 lbs. [4.9 kg.]
BSC15-1-20WH	14-3/4" [375 mm]	14-3/4" [375 mm]	17-5/16" [440 mm]	20-1/8" [511 mm]	White/White	20 Qt.	1	10.7 lbs. [4.9 kg.]
<b>DOUBLE BIN UNITS</b>								
BSC12-2-27WH	11-3/4" [299 mm]	11-3/4" [299 mm]	18-3/4" [476 mm]	23-1/8" [587 mm]	White/White	27 Qt.	1	14.0 lbs. [6.4 kg.]
BSC15-2-20PT	14-3/4" [375 mm]	14-3/4" [375 mm]	17-5/16" [440 mm]	20-1/8" [511 mm]	Frosted Nickel/Platinum	20 Qt.	1	18.1 lbs. [8.2 kg.]
BSC15-2-20WH	14-3/4" [375 mm]	14-3/4" [375 mm]	17-5/16" [440 mm]	20-1/8" [511 mm]	White/White	20 Qt.	1	18.1 lbs. [8.2 kg.]
BSC15-2-35PT	14-3/4" [375 mm]	14-3/4" [375 mm]	18-13/16" [478 mm]	23-1/8" [587 mm]	Frosted Nickel/Platinum	35 Qt.	1	19.7 lbs. [8.9 kg.]
BSC15-2-35WH	14-3/4" [375 mm]	14-3/4" [375 mm]	18-13/16" [478 mm]	23-1/8" [587 mm]	White/White	35 Qt.	1	19.7 lbs. [8.9 kg.]
<b>TRIPLE BIN UNITS</b>								
BSC15-3-20WH	14-3/4" [375 mm]	14-3/4" [375 mm]	17-9/16" [446 mm]	23-1/8" [587 mm]	White/White	20 Qt.	1	17.3 lbs. [7.8 kg.]
BSC15-3-20PT	14-3/4" [375 mm]	14-3/4" [375 mm]	17-9/16" [446 mm]	23-1/8" [587 mm]	Frosted Nickel/Platinum	20 Qt.	1	17.3 lbs. [7.8 kg.]
<b>FOUR BIN UNITS</b>								
BSC24-4-27WH	23-3/4" [603 mm]	23-3/4" [603 mm]	19" [482 mm]	23-1/8" [587 mm]	White/White	27 Qt.	1	18.8 lbs. [8.5 kg.]

\* If using lid, add 3/4". 30 lbs. maximum per bin, not to exceed 80 lbs. total weight. Not intended for bulk storage.

See pages 16-17 for recommended cabinet dimensions and clearances. See page 14 for bin and lid information.



Tel. 800.253.1561  
Fax 877.636.3290  
www.kv.com



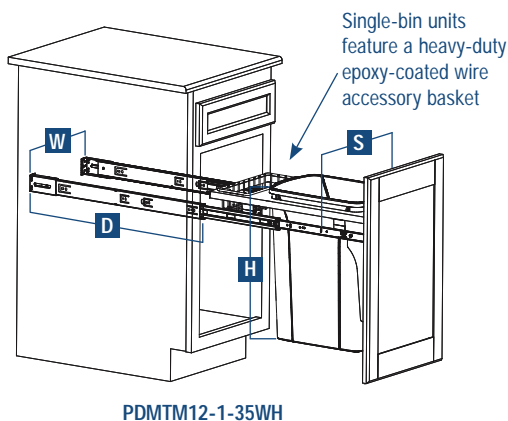
PDMTM12-1-35WH  
(with optional QT35LB-W lid)



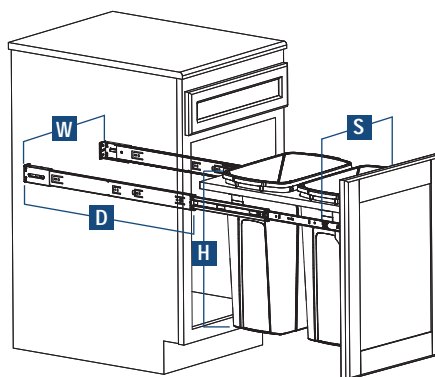
PDMTM15-2-35WH

**NEW!** Standard Top-Mount Waste & Recycling Bins (door-mounted)

- NEW White polymer removable Bins and optional Lids (order Lids on page 14) slides out on KV® heavy-duty, precision ball bearing slides
- Door-mount brackets include six-way adjustability for precise door alignment and easy installation
- Made of multi-ply birch veneered plywood with soft radius edges for safety and comfort



PDMTM12-1-35WH



PDMTM15-2-35WH

Stock #	Sliding Assembly		Assembled Product Dimensions			Finish [Hardware/Bin]	Capacity per Bin	# Bins	Units per Carton	Weight per Carton			
	S	Width	W	Width	H						Height*	D	Depth
<b>SINGLE BIN UNITS</b>													
PDMTM115-1-35WH	10-15/16"	[278 mm]	11-1/2"	[292 mm]	17-1/2"	[445 mm]	22-1/2"	[572 mm]	Anochrome/White	35 Qt.	1	1	12.6 lbs. [5.7 kg.]
PDMTM12-1-35WH	11-7/16"	[291 mm]	12"	[305 mm]	17-1/2"	[445 mm]	22-1/2"	[572 mm]	Anochrome/White	35 Qt.	1	1	13.1 lbs. [5.9 kg.]
PDMTM145-1-50WH	13-15/16"	[354 mm]	14-1/2"	[368 mm]	21-5/8"	[549 mm]	22-1/2"	[572 mm]	Anochrome/White	50 Qt.	1	1	14.5 lbs. [6.6 kg.]
<b>DOUBLE BIN UNITS</b>													
PDMTM15-2-35WH	14-7/16"	[367 mm]	15"	[381 mm]	17-1/2"	[445 mm]	22-1/2"	[572 mm]	Anochrome/White	35 Qt.	2	1	14.2 lbs. [6.4 kg.]
PDMTM175-2-35WH	16-15/16"	[430 mm]	17-1/2"	[445 mm]	17-1/2"	[445 mm]	22-1/2"	[572 mm]	Anochrome/White	35 Qt.	2	1	15.7 lbs. [7.1 kg.]
PDMTM18-2-35WH	17-7/16"	[443 mm]	18"	[457 mm]	17-1/2"	[445 mm]	22-1/2"	[572 mm]	Anochrome/White	35 Qt.	2	1	15.9 lbs. [7.2 kg.]
PDMTM21-2-35WH	20-7/16"	[519 mm]	21"	[533 mm]	17-1/2"	[445 mm]	22-1/2"	[572 mm]	Anochrome/White	35 Qt.	2	1	16.5 lbs. [7.5 kg.]

\* If using lid, add 3/4". 30 lbs. maximum per bin, not to exceed 80 lbs. total weight. Not intended for bulk storage.

See pages 16-17 for recommended cabinet dimensions and clearances. See page 14 for bin and lid information.

Tel. 800.253.1561  
Fax 877.636.3290  
www.kv.com





PSW15-1-20WH



PSW15-2-35WH  
(with optional PDMKTWH Door Bracket Kit, see page 11)

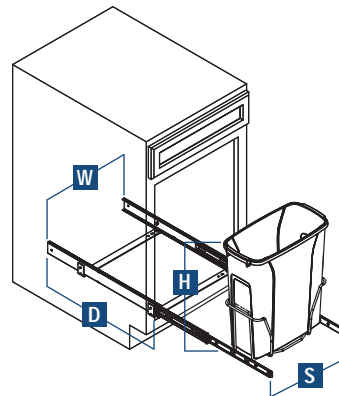


PSW15-3-20WH

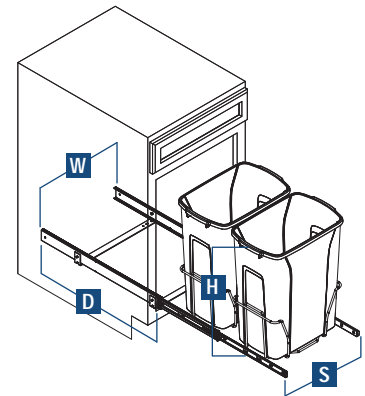
**NEW!** Standard Bottom-Mount Waste & Recycling Bins (door-mount optional)

- KV® epoxy-coated, heavy-duty ball bearing precision slides
- NEW specialized wire management system holds bins securely in place
- Pre-assembled units install easily with only four screws
- NEW optional Door-Mount Bracket with new features (order on page 11)
- NEW easy-open Handle comes standard on all three- and four-bin Bottom-Mount units and is optional on single- and double-bin units (order on page 11). Its wide, open architecture makes it easy to grasp.
- NEW Bins and optional Lids (order Lids on page 14)

Bottom-mount units provide stability and are pre-assembled, for faster installation.



Single Sliding Waste Bins  
(PSW15-1-20WH shown)



Double Sliding Waste Bins  
(PSW15-2-35WH shown)

Stock #	Sliding Assembly		Assembled Product Dimensions			Finish	Capacity per Bin	# Bins per Carton	Units per Carton	Weight per Carton			
	S	Width	W	H	D						Height*	Depth	
<b>SINGLE BIN UNITS</b>													
PSW9-1-20WH**	8-3/8"	[213 mm]	8-3/8"	[213 mm]	17-5/16"	[440 mm]	20"	[508 mm]	White	20 qt.	1	1	10.3lbs. [4.7 kg.]
PSW10-1-35WH**	9-3/8"	[238 mm]	9-3/8"	[238 mm]	18-3/4"	[478 mm]	20"	[508 mm]	White	35 qt.	1	1	9.4 lbs. [4.3 kg.]
PSW12-1-50-W**	11-3/8"	[289 mm]	11-3/8"	[289 mm]	22-3/4"	[581 mm]	20"	[508 mm]	White	50 qt.	1	1	10.5 lbs. [4.8 kg.]
PSW15-1-20WH**	14-3/8"	[365 mm]	14-3/8"	[365 mm]	17-5/16"	[440 mm]	16"	[406 mm]	White	20 qt.	1	1	9.3 lbs. [4.2 kg.]
PSW15-1-35WH**	14-3/8"	[365 mm]	14-3/8"	[365 mm]	18-3/4"	[478 mm]	16"	[406 mm]	White	35 qt.	1	1	14.6 lbs. [6.6 kg.]
<b>DOUBLE BIN UNITS</b>													
PRC12-2-27-W**	11-3/8"	[289 mm]	11-3/8"	[289 mm]	19"	[483 mm]	23"	[584 mm]	White	27 qt.	2	1	12.9 lbs. [5.9 kg.]
PSW15-2-20WH**	14-3/8"	[365 mm]	14-3/8"	[365 mm]	17-9/16"	[440 mm]	20"	[508 mm]	White	20 qt.	2	1	16.8 lbs. [7.6 kg.]
PSW15-2-35WH**	14-3/8"	[365 mm]	14-3/8"	[365 mm]	18-3/4"	[478 mm]	22-9/16"	[573 mm]	White	35 qt.	2	1	18.3 lbs. [8.3 kg.]
<b>TRIPLE BIN UNITS</b>													
PSW15-3-20WH	14-3/8"	[365 mm]	14-3/8"	[365 mm]	17-9/16"	[440 mm]	22-9/16"	[573 mm]	White	20 qt.	3	1	14.9 lbs. [6.8 kg.]
<b>FOUR BIN UNITS</b>													
PRC24-4-27-W	23-3/8"	[594 mm]	23-3/8"	[594 mm]	19"	[483 mm]	22-3/4"	[577 mm]	White	27 qt.	4	1	18.4 lbs. [8.3 kg.]

\* If using lid, add 3/4". \*\* Order optional handles on page 27. 30 lbs. maximum per bin, not to exceed 80 lbs. total weight. Not intended for bulk storage.



Tel. 800.253.1561  
Fax 877.636.3290  
www.kv.com

See pages 16-17 for recommended cabinet dimensions and clearances. See page 14 for bin and lid information.




PDMKTPT  
(Shown with BSC15-2-35PT)



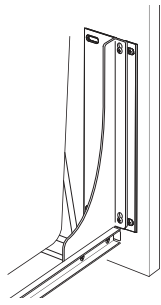
PSW-HANDLE15-WH  
(Shown on PSW15-2-35WH)

## NEW! Door-Mount Bracket Kits

- Easy Installation:
  - Installs quickly into NEW Handle mounting holes with only four screws
  - Six-way adjustability for alignment of cabinet door with easy “drop-in” keyhole attachment
- Adapts from standard width opening up to door sizes three inches wider
-  NEW KV eco-friendly Frosted Nickel finish or White
- Allows for application with most common cabinet door overlays
- Eliminates need for sub-panel support behind cabinet door



PDMKTWH




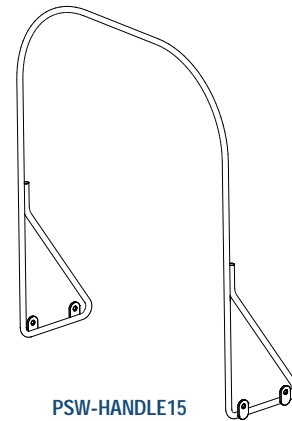
PDMKT

Stock #	Finish	Units Per Carton	Weight Per Carton
<b>DOOR-MOUNT BRACKET KITS</b>			
PDMKTWH*	White	1	2.3 lbs. [1 kg.]
PDMKTPT*	Frosted Nickel	1	2.3 lbs. [1 kg.]

\* Instructions and hardware included with all kits

## NEW! Handle

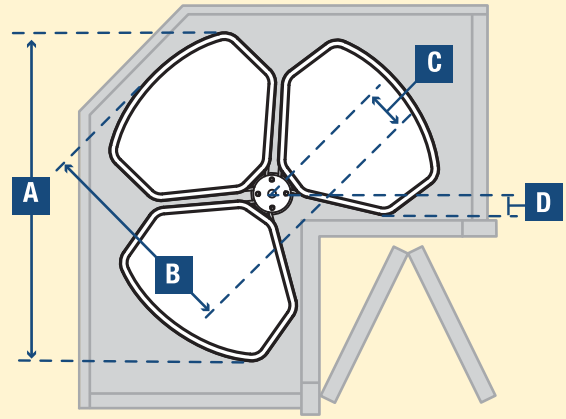
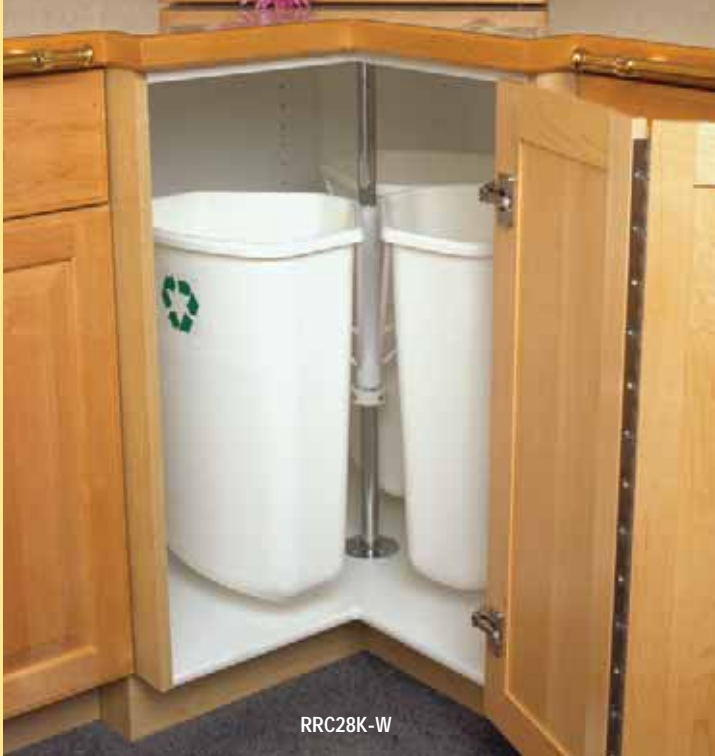
- Works on all single- and double-bin bottom-mount waste and recycling products
-  NEW KV eco-friendly Frosted Nickel finish or White
- Wide, open architecture makes it easy to grasp
- Provides clean and easy access to Bins



PSW-HANDLE15

Stock #	Description	Finish	Units Per Carton	Weight Per Carton
<b>HANDLES</b> (fits all single- and double-bin, bottom-mount units)				
PSW-HANDLE9-WH	9"	White	1	1 lb. [0.5 kg.]
PSW-HANDLE9-PT	9"	Frosted Nickel	1	1 lb. [0.5 kg.]
PSW-HANDLE10-WH	10"	White	1	1 lb. [0.5 kg.]
PSW-HANDLE10-PT	10"	Frosted Nickel	1	1 lb. [0.5 kg.]
PSW-HANDLE12-WH	12"	White	1	1 lb. [0.5 kg.]
PSW-HANDLE12-PT	12"	Frosted Nickel	1	1 lb. [0.5 kg.]
PSW-HANDLE15-WH	15"	White	1	1 lb. [0.5 kg.]
PSW-HANDLE15-PT	15"	Frosted Nickel	1	1 lb. [0.5 kg.]



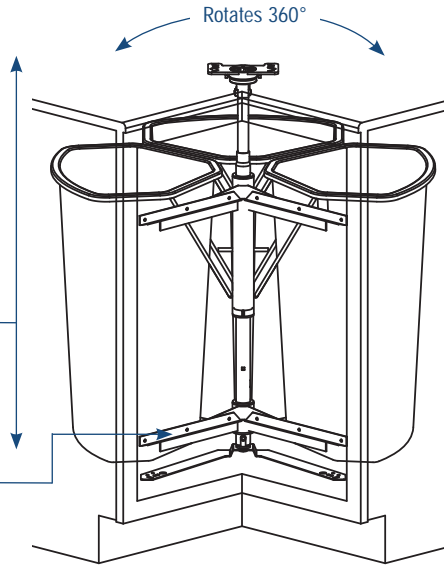


## Corner Recycling Centers

- Three removable white polymer 32 qt. Bins rotate on 1" diameter post
- Designed to fit in 36" base corner cabinet

Post Height Range  
 RRC28K-W: 28-1/2" to 30-1/2"  
 RRC28PT-W: 25" to 33"

RRC28PT-W model includes hardware to mount to revolving cabinet door



**RRC28PT-W**  
 (with door mount hardware)

Stock #	Diameter A	B	C	D	Finish [Hardware/Bin]	Capacity per Bin	# Bins	Units per Carton	Weight per Carton
<b>CORNER RECYCLING CENTER</b>									
RRC28K-W	27-5/8" [702 mm]	23-1/8" [587 mm]	4-1/2" [114 mm]	3-3/16" [81 mm]	Chrome/White	32 Qt.	3	1	15.3 lbs. [6.9 kg.]
RRC28PT-W	27-5/8" [702 mm]	23-1/8" [587 mm]	4-1/2" [114 mm]	3-3/16" [81 mm]	Chrome/White	32 Qt.	3	1	18.8 lbs. [8.5 kg.]



Tel. 800.253.1561  
 Fax 877.636.3290  
 www.kv.com

See page 15 for recommended cabinet dimensions and clearances. See page 14 for replacement bins.



TM32-W

### Pivot-Out Waste & Recycling Bin

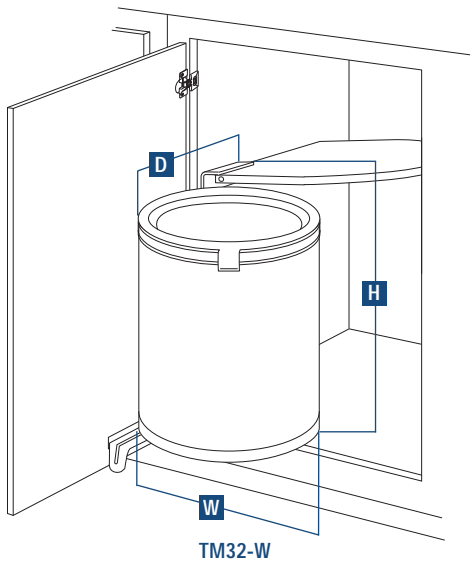
- Pivot-out wastebin with self-opening and self-closing lid minimizes contact with refuse and helps to contain odors and debris
- Clamping ring holds bags securely in place
- Designed for frameless (European-style) cabinetry, may require blocking out for face frame cabinetry



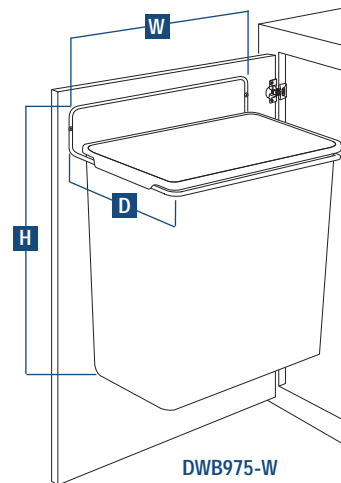
DWB975-W

### Door-Mounted Waste Bin

- White polymer removable Bin mounts on White frame
- Perfect for kitchens and baths
- Installs easily with only two screws



TM32-W



DWB975-W

Stock #	Assembled Product Dimensions*			Finish	Capacity per Bin	# Bins	Units per Carton	Weight per Carton
	W Width	H Height	D Depth					
<b>PIVOT-OUT WASTE &amp; RECYCLING BIN</b>								
TM32-W	13-1/2" [345 mm]	19" [485 mm]	13" [332 mm]	White	32 Qt.	1	1	6.3 lbs. [2.9 kg.]
<b>DOOR-MOUNTED WASTE BIN</b>								
DWB975-W	9-1/2" [241 mm]	11-1/8" [283 mm]	7" [178 mm]	White/White	9 Qt.	1	1	1.7 lbs. [0.8 kg.]

\*Product dimensions include units in a fully-closed position.

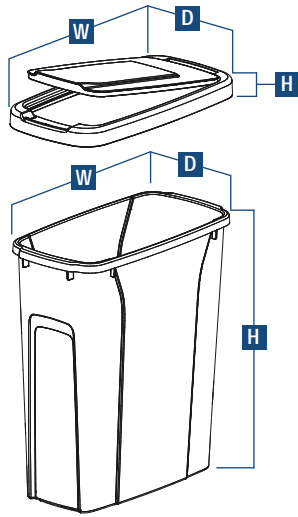
See page 15 for Pivot-Out Waste & Recycling Bin recommended cabinet dimensions and clearances. See page 16 for Door-Mounted Waste Bin recommended cabinet dimensions and clearances. See page 14 for bins.

Tel. 800.253.1561  
Fax 877.636.3290  
www.kv.com





**NEW!** Replacement Bins and Lids



Replacement Bin Chart

Replaces Bin from Product Number	Stock #	Replaces Bin from Product Number	Stock #	Replaces Bin from Product Number	Stock #
BSC10-1-35PT	QT35PB-PT	PDMTM145-1-50WH	QT50PB-W	TSC12-1-35WH	QT35PB-WH
BSC10-1-35WH	QT35PB-WH	PDMTM15-2-35WH	QT35PB-WH	TSC15-1-35PT	QT35PB-PT
BSC12-1-50PT	QT50PB-P	PDMTM175-2-35WH	QT35PB-WH	TSC15-1-35WH	QT35PB-WH
BSC12-1-50WH	QT50PB-W	PDMTM18-2-35WH	QT35PB-WH	TSC15-1-50PT	QT50PB-P
BSC12-2-27WH	QT27PB-W	PDMTM21-2-35WH	QT35PB-WH	TSC15-1-50WH	QT50PB-W
BSC15-1-20PT	QT20PB-PT	PRC12-2-27-W	QT27PB-W	TSC15-2-35PT	QT35PB-PT
BSC15-1-20WH	QT20PB-WH	PRC24-4-27-W	QT27PB-W	TSC15-2-35WH	QT35PB-WH
BSC15-2-20PT	QT20PB-PT	PSW10-1-35WH	QT35PB-WH	TSC18-2-35PT	QT35PB-PT
BSC15-2-20WH	QT20PB-WH	PSW12-1-50-W	QT50PB-W	TSC18-2-35WH	QT35PB-WH
BSC15-2-35PT	QT35PB-PT	PSW15-1-20WH	QT20PB-WH	USC12-1-35PT	QT35PB-PT
BSC15-2-35WH	QT35PB-WH	PSW15-1-35WH	QT35PB-WH	USC12-1-35WH	QT35PB-WH
BSC15-3-20WH	QT20PB-WH	PSW15-2-20WH	QT20PB-WH	USC12-1-50PT	QT50PB-P
BSC15-3-20PT	QT20PB-PT	PSW15-2-35WH	QT35PB-WH	USC12-1-50WH	QT50PB-W
BSC24-4-27WH	QT27PB-W	PSW15-3-20WH	QT20PB-WH	USC15-2-35PT	QT35PB-PT
BSC9-1-20PT	QT20PB-PT	PSW9-1-20WH	QT20PB-WH	USC15-2-35WH	QT35PB-WH
BSC9-1-20WH	QT20PB-WH	RRC28K-W	QT32PB-W	PDMSH15-1-60-W	QT60PB-W
PDMTM115-1-35WH	QT35PB-WH	RRC28PT-W	QT32PB-W	PSH15-1-60-W	QT60PB-W
PDMTM12-1-35WH	QT35PB-WH	TSC12-1-35PT	QT35PB-PT		

Stock #	W Width	H Height**	D Depth	Finish	Description	Units per Carton	Weight per Carton
<b>BINS</b>							
QT20PB-WH <b>NEW!</b>	14-15/16" [379 mm]	16" [406 mm]	7-1/4" [184 mm]	White	20 Qt.	6	12 lbs. [5.4 kg.]
QT20PB-PT <b>NEW!</b>	14-15/16" [379 mm]	16" [406 mm]	7-1/4" [184 mm]	Platinum	20 Qt.	6	12 lbs. [5.4 kg.]
QT27PB-W	11-7/16" [291 mm]	17-3/4" [451 mm]	11-7/16" [291 mm]	White	27 Qt.	10	17.4 lbs. [7.9 kg.]
QT32PB-W	14" [356 mm]	20" [508 mm]	11-3/4" [298 mm]	White	32 Qt.	1	4 lbs. [1.8 kg.]
QT35PB-WH <b>NEW!</b>	14-15/16" [379 mm]	17-1/2" [445 mm]	9-5/16" [237 mm]	White	35 Qt.	6	14 lbs. [6.4 kg.]
QT35PB-PT <b>NEW!</b>	14-15/16" [379 mm]	17-1/2" [445 mm]	9-5/16" [237 mm]	Platinum	35 Qt.	6	14 lbs. [6.4 kg.]
QT50PB-W	15-3/8" [391 mm]	21-5/8" [549 mm]	11-1/8" [283 mm]	White	50 Qt.	8	20 lbs. [9.1 kg.]
QT50PB-P	15-3/8" [391 mm]	21-5/8" [549 mm]	11-1/8" [283 mm]	Platinum	50 Qt.	8	20 lbs. [9.1 kg.]
QT60PB-W*	19-1/8" [486 mm]	19-5/8" [498 mm]	13-7/8" [352 mm]	White	60 Qt.	6	19.9 lbs. [9.0 kg.]
<b>LIDS</b>							
QT20LB-WH <b>NEW!</b>	14-1/2" [368 mm]	**	7-7/16" [189 mm]	White	Fits 20 Qt.	1	2 lbs. [0.9 kg.]
QT20LB-PT <b>NEW!</b>	14-1/2" [368 mm]	**	7-7/16" [189 mm]	Platinum	Fits 20 Qt.	1	2 lbs. [0.9 kg.]
QT35LB-WH <b>NEW!</b>	14-1/2" [368 mm]	**	9-9/16" [243 mm]	White	Fits 35 Qt.	1	2 lbs. [0.9 kg.]
QT35LB-PT <b>NEW!</b>	14-1/2" [368 mm]	**	9-9/16" [243 mm]	Platinum	Fits 35 Qt.	1	2 lbs. [0.9 kg.]

\* Replacement bin for Roll-Out Plastic Hampers (PSH15-1-60-W and PDMSH15-1-60-W). See page 61 for product information.

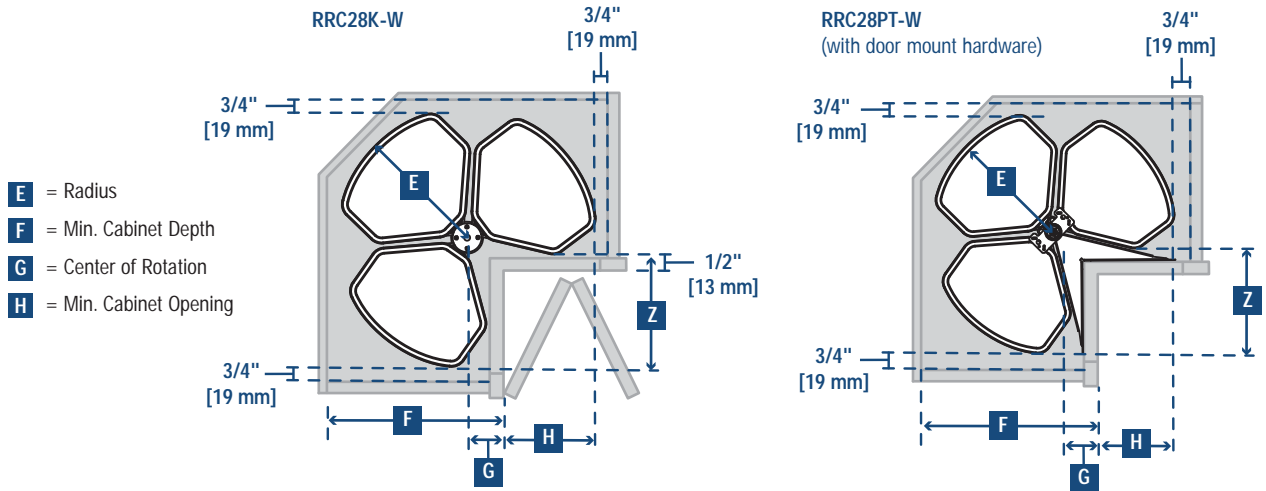
\*\* Lid adds 3/4" [19 mm] to bin height.





# Cabinet Dimensions

## CORNER RECYCLING CENTERS

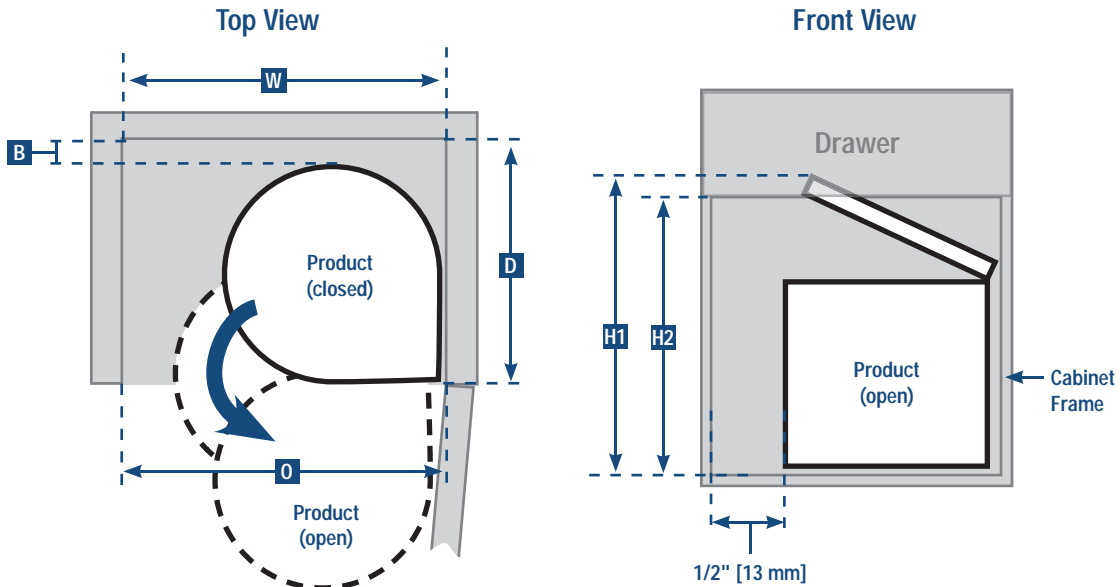


Stock #                      **E**                      **F**                      **G**                      **H**                      **Z**                      Mounting

## CORNER RECYCLING CENTERS

RRC28K-W	13-13/16" [351 mm]	18-1/2" [470 mm]	3-15/16" [100 mm]	10-1/4" [260 mm]	24-1/2" [622 mm]	Top/Bottom
RRC28PT-W	13-13/16" [351 mm]	18-1/2" [470 mm]	3-15/16" [100 mm]	10-1/4" [260 mm]	24-1/2" [622 mm]	Top/Bottom

## PIVOT-OUT WASTE & RECYCLING BINS (recommended for Frameless cabinetry only)



Stock #                      Min. Cabinet Opening                      Minimum Interior Cabinet Dimensions                      Minimum Cabinet Clearances  
**O** Width                      **W** Width                      **H1** Height\*                      **H2** Height\*                      **D** Depth                      **B** Back

## PIVOT-OUT WASTE & RECYCLING BINS

TM32-W	16-7/16" [418 mm]	16-7/16" [418 mm]	19-1/2" [495 mm]	19" [483 mm]	13-1/2" [343 mm]	1/2" [13 mm]
--------	-------------------	-------------------	------------------	--------------	------------------	--------------

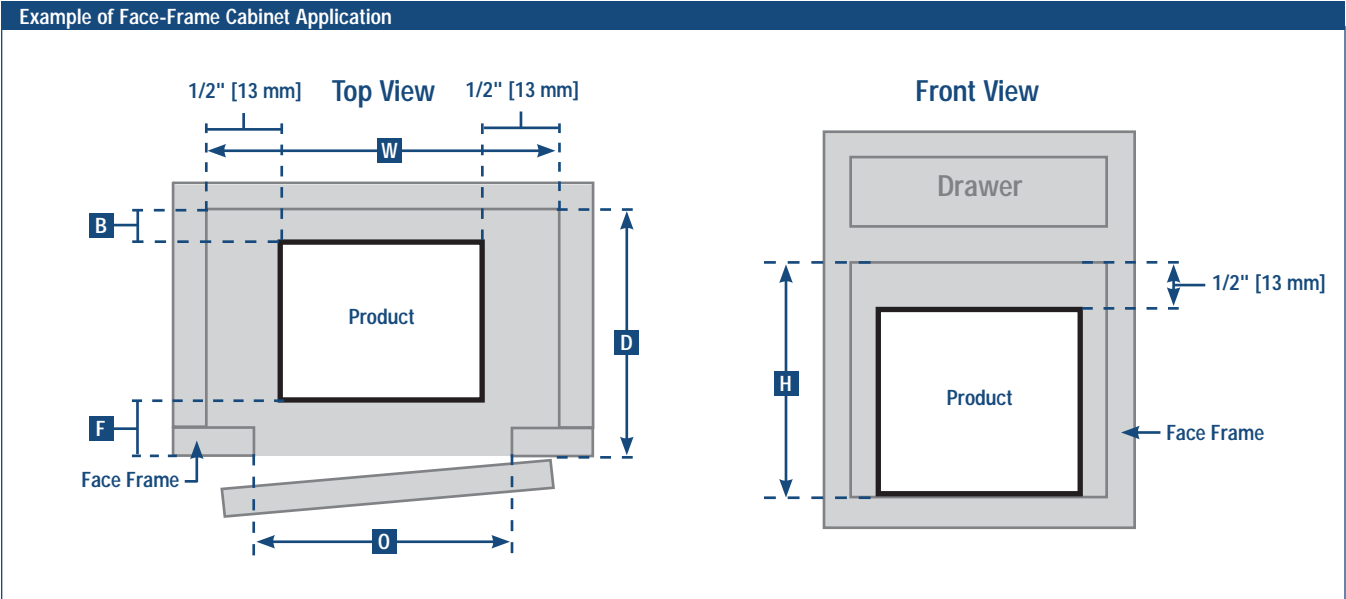
\*H1 represents minimum interior height with lid in fully open position. H2 represents minimum cabinet opening height with lid in fully open position.

Dimensions shown are recommended minimum cabinet dimensions and clearances.

# Cabinet Dimensions

Stock #	Min. Cabinet Opening		Minimum Interior Cabinet Dimensions			Minimum Cabinet Clearances	
	O Width	W Width	H Height*	D Depth	F Front	B Back	
<b>SINGLE BIN UNITS</b>							
<b>Non-Door-Mount</b>							
BSC9-1-20PT	9" [229 mm]	10" [254 mm]	17-13/16" [452 mm]	20-1/2" [521 mm]	1/4" [6 mm]	1/8" [3 mm]	
BSC9-1-20WH	9" [229 mm]	10" [254 mm]	17-13/16" [452 mm]	20-1/2" [521 mm]	1/4" [6 mm]	1/8" [3 mm]	
BSC10-1-35PT	10" [254 mm]	11" [279 mm]	19-5/16" [491 mm]	20-1/2" [521 mm]	1/4" [6 mm]	1/8" [3 mm]	
BSC10-1-35WH	10" [254 mm]	11" [279 mm]	19-5/16" [491 mm]	20-1/2" [521 mm]	1/4" [6 mm]	1/8" [3 mm]	
BSC12-1-50PT	12" [305 mm]	13" [330 mm]	23-3/8" [594 mm]	20-1/2" [521 mm]	1/4" [6 mm]	1/8" [3 mm]	
BSC12-1-50WH	12" [305 mm]	13" [330 mm]	23-3/8" [594 mm]	20-1/2" [521 mm]	1/4" [6 mm]	1/8" [3 mm]	
BSC15-1-20PT	15" [381 mm]	16" [406 mm]	17-13/16" [452 mm]	20-1/2" [521 mm]	1/4" [6 mm]	1/8" [3 mm]	
BSC15-1-20WH	15" [381 mm]	16" [406 mm]	17-13/16" [452 mm]	20-1/2" [521 mm]	1/4" [6 mm]	1/8" [3 mm]	
PSW9-1-20WH	9" [229 mm]	10" [254 mm]	17-13/16" [452 mm]	20-3/8" [518 mm]	1/4" [6 mm]	1/8" [3 mm]	
PSW10-1-35WH	10" [254 mm]	11" [279 mm]	19-5/16" [491 mm]	20-3/8" [518 mm]	1/4" [6 mm]	1/8" [3 mm]	
PSW12-1-50-W	12" [305 mm]	13" [330 mm]	23-3/8" [594 mm]	20-3/8" [518 mm]	1/4" [6 mm]	1/8" [3 mm]	
PSW15-1-20WH	15" [381 mm]	16" [406 mm]	17-3/16" [437 mm]	16-3/8" [416 mm]	1/4" [6 mm]	1/8" [3 mm]	
PSW15-1-35WH	15" [381 mm]	16" [406 mm]	19-5/16" [491 mm]	16-3/8" [416 mm]	1/4" [6 mm]	1/8" [3 mm]	
<b>Door-Mount (Bottom-mount)</b>							
DWB975-W	12" [305 mm]	12" [305 mm]	12-1/8" [308 mm]	7-1/2" [191 mm]	-	1/8" [3 mm]	
USC12-1-35WH	12" [305 mm]	12" [305 mm]	19-3/16" [487 mm]	22-5/8" [575 mm]	-	1/8" [3 mm]	
USC12-1-35PT	12" [305 mm]	12" [305 mm]	19-3/16" [487 mm]	22-5/8" [575 mm]	-	1/8" [3 mm]	
USC12-1-50WH	12" [305 mm]	12" [305 mm]	23-5/16" [592 mm]	22-5/8" [575 mm]	-	1/8" [3 mm]	
USC12-1-50PT	12" [305 mm]	12" [305 mm]	23-5/16" [592 mm]	22-5/8" [575 mm]	-	1/8" [3 mm]	
<b>Door-Mount (Top-mount)</b>							
PDMTM115-1-35WH	11-1/2" [292 mm]	11-1/2" [292 mm]	18" [457 mm]	22-1/2" [572 mm]	-	1/8" [3 mm]	
PDMTM12-1-35WH	12" [305 mm]	12" [305 mm]	18" [457 mm]	22-1/2" [572 mm]	-	1/8" [3 mm]	
PDMTM145-1-50WH	14-1/2" [368 mm]	14-1/2" [368 mm]	22-1/8" [562 mm]	22-1/2" [572 mm]	-	1/8" [3 mm]	
TSC12-1-35WH	11-1/2" [292 mm]	11-1/2" [292 mm]	18" [457 mm]	23-3/8" [594 mm]	-	1/8" [3 mm]	
TSC12-1-35PT	11-1/2" [292 mm]	11-1/2" [292 mm]	18" [457 mm]	23-3/8" [594 mm]	-	1/8" [3 mm]	
TSC15-1-35WH	14-1/2" [368 mm]	14-1/2" [368 mm]	18" [457 mm]	23-3/8" [594 mm]	-	1/8" [3 mm]	
TSC15-1-35PT	14-1/2" [368 mm]	14-1/2" [368 mm]	18" [457 mm]	23-3/8" [594 mm]	-	1/8" [3 mm]	
TSC15-1-50WH	14-1/2" [368 mm]	14-1/2" [368 mm]	22-1/8" [562 mm]	23-3/8" [594 mm]	-	1/8" [3 mm]	
TSC15-1-50PT	14-1/2" [368 mm]	14-1/2" [368 mm]	22-1/8" [562 mm]	23-3/8" [594 mm]	-	1/8" [3 mm]	

\* If using lid, add 3/4" [19 mm].



Dimensions shown are recommended minimum cabinet dimensions and clearances.

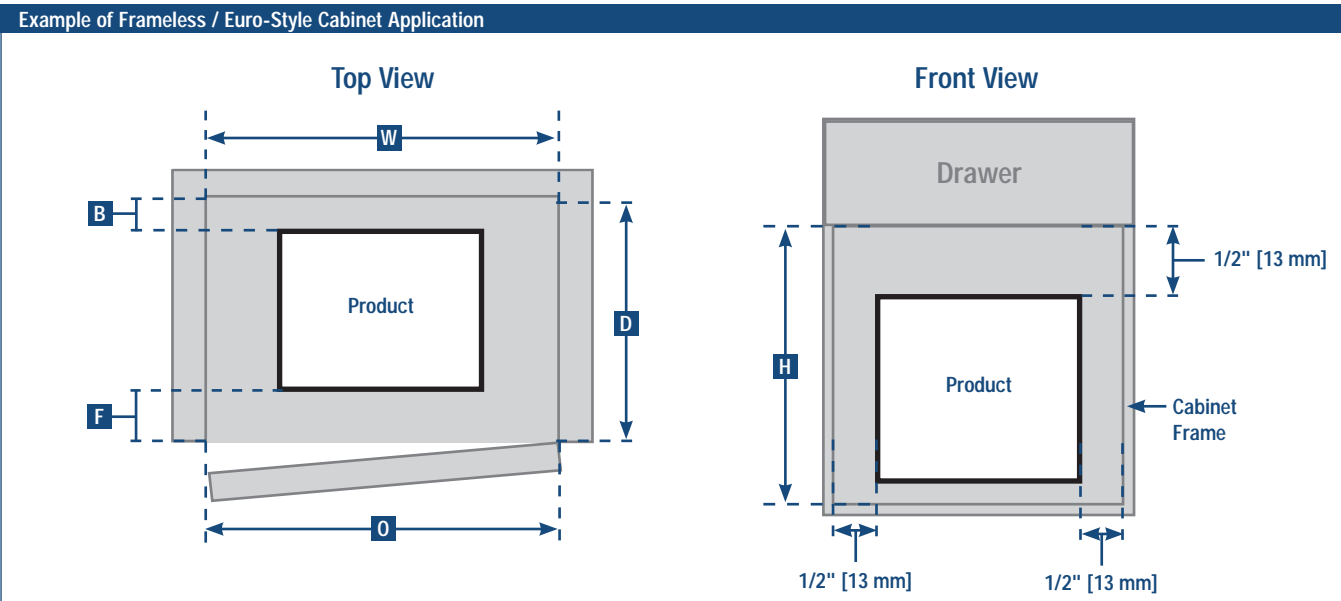


Tel. 800.253.1561  
 Fax 877.636.3290  
 www.kv.com

# Cabinet Dimensions

Stock #	Min. Cabinet Opening		Minimum Cabinet Dimensions			Minimum Cabinet Clearances	
	O Width	W Width	H Height*	D Depth	F Front	B Back	
<b>DOUBLE BIN UNITS</b>							
<b>Non-Door-Mount</b>							
BSC12-2-27WH	12" [305 mm]	13" [330 mm]	19-1/2" [495 mm]	23-3/8" [594 mm]	1/4" [6 mm]	1/8" [3 mm]	
BSC15-2-20PT	15" [381 mm]	16" [406 mm]	17-13/16" [452 mm]	23-3/8" [594 mm]	1/4" [6 mm]	1/8" [3 mm]	
BSC15-2-20WH	15" [381 mm]	16" [406 mm]	17-13/16" [452 mm]	23-3/8" [594 mm]	1/4" [6 mm]	1/8" [3 mm]	
BSC15-2-35PT	15" [381 mm]	16" [406 mm]	19-5/16" [491 mm]	23-3/8" [594 mm]	1/4" [6 mm]	1/8" [3 mm]	
BSC15-2-35WH	15" [381 mm]	16" [406 mm]	19-5/16" [491 mm]	23-3/8" [594 mm]	1/4" [6 mm]	1/8" [3 mm]	
PRC12-2-27-W	12" [305 mm]	13" [330 mm]	19-1/4" [489 mm]	23-3/8" [594 mm]	1/4" [6 mm]	1/8" [3 mm]	
PSW15-2-20WH	15" [381 mm]	16" [406 mm]	17-13/16" [452 mm]	20-3/8" [518 mm]	1/4" [6 mm]	1/8" [3 mm]	
PSW15-2-35WH	15" [381 mm]	16" [406 mm]	19-5/16" [491 mm]	22-3/8" [568 mm]	1/4" [6 mm]	1/8" [3 mm]	
<b>Door-Mount (Bottom-mount)</b>							
USC15-2-35WH	15" [381 mm]	16" [406 mm]	19-3/16" [487 mm]	22-5/8" [575 mm]	-	1/8" [3 mm]	
USC15-2-35PT	15" [381 mm]	16" [406 mm]	19-3/16" [487 mm]	22-5/8" [575 mm]	-	1/8" [3 mm]	
<b>Door-Mount (Top-mount)</b>							
PDMTM15-2-35WH	15" [381 mm]	15" [381 mm]	18" [457 mm]	22-1/2" [572 mm]	-	1/8" [3 mm]	
PDMTM175-2-35WH	17-1/2" [445 mm]	17-1/2" [445 mm]	18" [457 mm]	22-1/2" [572 mm]	-	1/8" [3 mm]	
PDMTM18-2-35WH	18" [457 mm]	18" [457 mm]	18" [457 mm]	22-1/2" [572 mm]	-	1/8" [3 mm]	
PDMTM21-2-35WH	21" [533 mm]	21" [533 mm]	18" [457 mm]	22-1/2" [572 mm]	-	1/8" [3 mm]	
TSC15-2-35WH	15" [381 mm]	15" [381 mm]	18" [457 mm]	23-3/8" [594 mm]	-	1/8" [3 mm]	
TSC15-2-35PT	15" [381 mm]	15" [381 mm]	18" [457 mm]	23-3/8" [594 mm]	-	1/8" [3 mm]	
TSC18-2-35WH	17-1/2" [445 mm]	17-1/2" [445 mm]	18" [457 mm]	23-3/8" [594 mm]	-	1/8" [3 mm]	
TSC18-2-35PT	17-1/2" [445 mm]	17-1/2" [445 mm]	18" [457 mm]	23-3/8" [594 mm]	-	1/8" [3 mm]	
<b>TRIPLE BIN UNITS</b>							
<b>Non-Door-Mount</b>							
BSC15-3-20PT	15" [381 mm]	15" [381 mm]	17-13/16" [452 mm]	23-3/8" [594 mm]	1/4" [6 mm]	1/8" [3 mm]	
BSC15-3-20WH	15" [381 mm]	15" [381 mm]	17-13/16" [452 mm]	23-3/8" [594 mm]	1/4" [6 mm]	1/8" [3 mm]	
PSW15-3-20WH	15" [381 mm]	15" [381 mm]	17-13/16" [452 mm]	23-3/8" [594 mm]	1/4" [6 mm]	1/8" [3 mm]	
<b>FOUR BIN UNITS</b>							
<b>Non-Door-Mount</b>							
BSC24-4-27WH	24" [610 mm]	25" [635 mm]	19-1/2" [495 mm]	23-3/8" [594 mm]	1/4" [6 mm]	1/8" [3 mm]	
PRC24-4-27-W	24" [610 mm]	25" [635 mm]	19-1/2" [495 mm]	23-3/8" [594 mm]	1/4" [6 mm]	1/2" [13 mm]	

\* If using lid, add 3/4" [19 mm].



Dimensions shown are recommended minimum cabinet dimensions and clearances.



# Lazy Susans

18



20 Wood Lazy Susans



22 Polymer Lazy Susans



25 Wire Lazy Susans

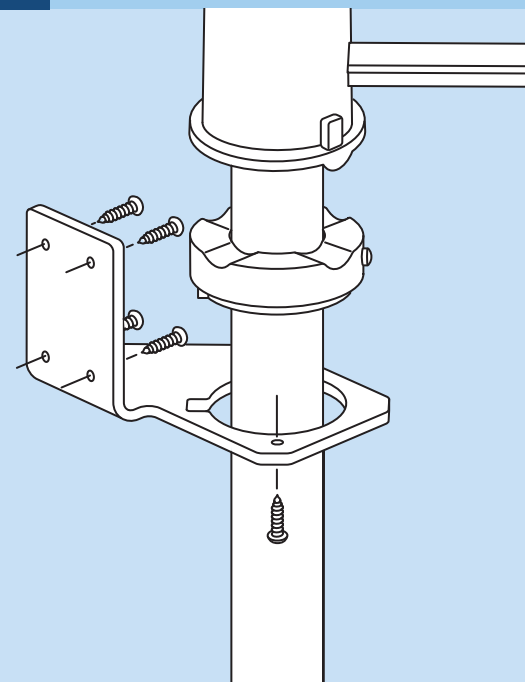
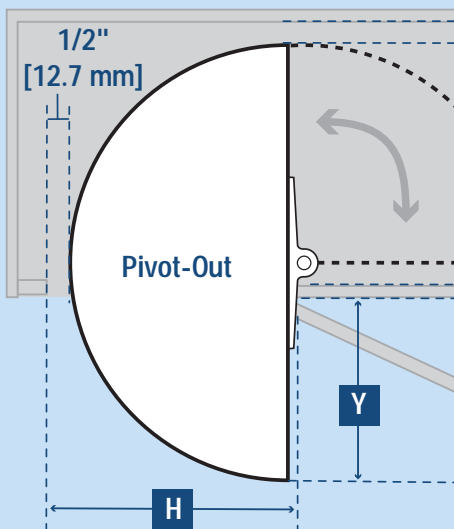


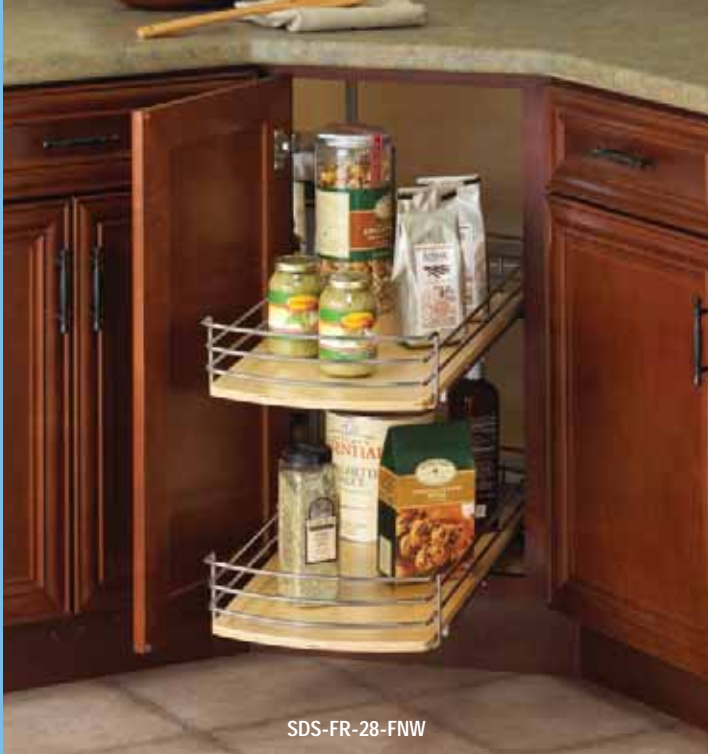


27 Replacement Parts

29 Cabinet & Lip Dimensions

32 Diagrams





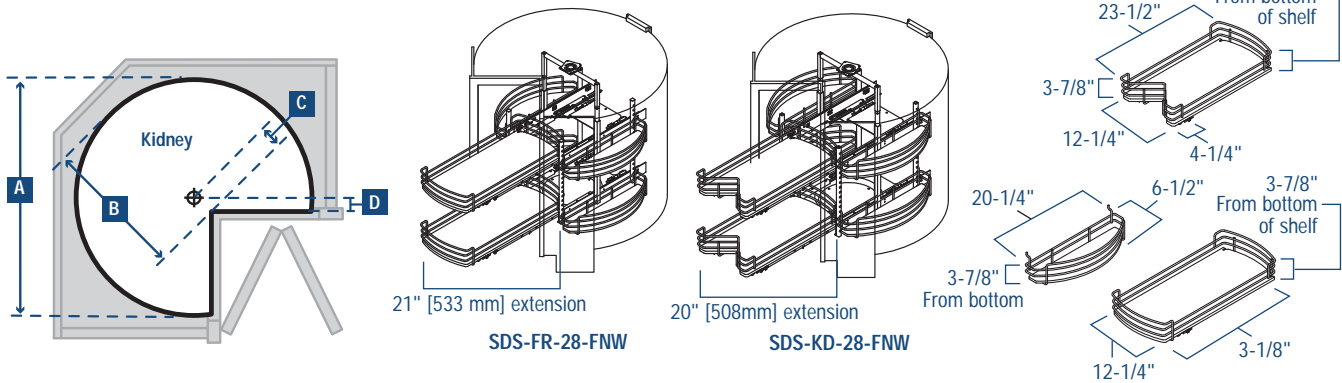
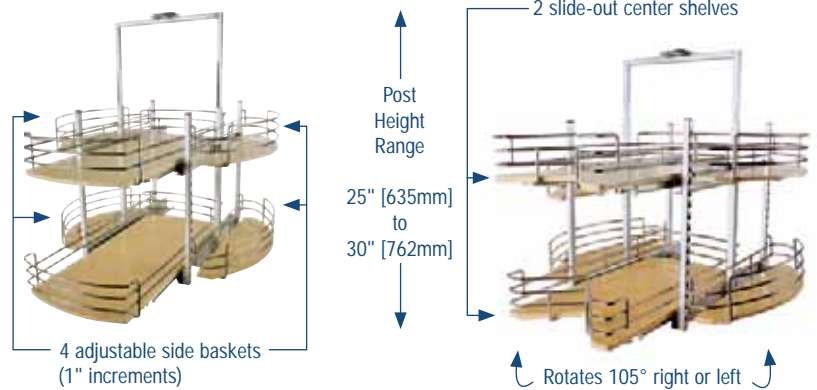
SDS-FR-28-FNW



SDS-KD-28-FNW

## Wood Lazy Susan Drawer Systems

-  NEW KV eco-friendly Frosted Nickel finish
- Two drawers slide-out on KV soft-close undermount slides for easy access
- Unit pivots right or left to access four adjustable wood and wire baskets
- 1/2" thick, multi-ply shelf platforms with UV-cured clear coat finish



Stock #	Diameter A	B	C	D	Finish	Units per Carton	Weight per Carton
<b>FULL-ROUND</b>							
SDS-FR-28-FNW	28" [711 mm]	-	-	-	Frosted Nickel/Birch	1*	65.5 lbs. [29.7 kg.]
<b>KIDNEY-SHAPED</b>							
SDS-KD-28-FNW	28-7/8" [733 mm]	20-15/16" [532 mm]	8" [203 mm]	5-11/16" [144 mm]	Frosted Nickel/Birch	1*	63 lbs. [28.6 kg.]

\*Product is shipped in two cartons.



Tel. 800.253.1561  
Fax 877.636.3290  
www.kv.com

See Page 29 for available Cabinet and Shelf Lip Dimensions for the part numbers on this page.



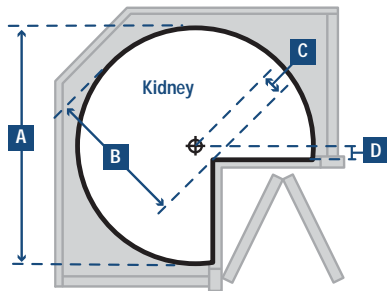
WFS28ST-PLYWD



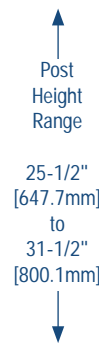
WKS28ST-PLYWD

## Wood Full-Round & Kidney-Shaped Lazy Susans

- 1/2" thick multi-ply shelf with UV-cured clear coat finish and 1" rim
- Standard pack includes two shelves, one post, installation template and hardware



WFS28ST-PLYWD



WKS28ST-PLYWD

Stock #	Diameter					Weight Limit per Shelf	Finish	Units per Carton	Weight per Carton
	A	B	C	D					
<b>FULL-ROUND</b>									
WFS18ST-PLYWD	18"	-	-	-		31 lbs. [14.2 kg.]	Wood	1	12.7 lbs. [5.8 kg.]
WFS24ST-PLYWD	24"	-	-	-		55 lbs. [24.9 kg.]	Wood	1	19.4 lbs. [8.8 kg.]
WFS28ST-PLYWD	28"	-	-	-		78 lbs. [35.4 kg.]	Wood	1	24.1 lbs. [10.9 kg.]
WFS32ST-PLYWD	32"	-	-	-		78 lbs. [35.4 kg.]	Wood	1	30.8 lbs. [14.0 kg.]
<b>KIDNEY-SHAPED</b>									
WKS24ST-PLYWD	24"	14-3/8" [365 mm]	2-3/8" [60 mm]	1-3/8" [35 mm]		45 lbs. [20.4 kg.]	Wood	1	17.4 lbs. [7.9 kg.]
WKS28ST-PLYWD	28"	20-7/16" [519 mm]	6-7/16" [164 mm]	4-1/4" [108 mm]		67 lbs. [30.4 kg.]	Wood	1	20.9 lbs. [9.5 kg.]
WKS32ST-PLYWD	32"	22-1/2" [572 mm]	6-1/2" [165 mm]	4-3/8" [111 mm]		93 lbs. [42.2 kg.]	Wood	1	20.4 lbs. [9.3 kg.]

See Page 29 for available Cabinet and Shelf Lip Dimensions for the part numbers on this page.

Tel. 800.253.1561  
Fax 877.636.3290  
www.kv.com





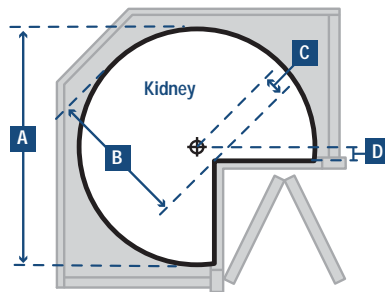
PFN28ST-W



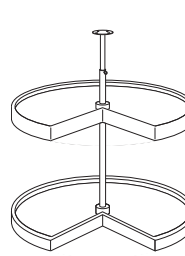
PKN28ST-W

## Polymer Full-Round & Kidney-Shaped Lazy Susans

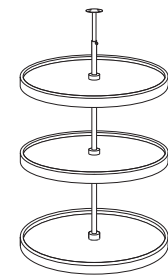
- Polymer construction with double wall rim and strengthening ribs
- Rim height is 1"
- Standard pack includes shelves, one post, installation template and hardware



2 Shelf & Bulk Packs



3 Shelf



STANDARD PACK		BULK PACK		Diameter A	B	C	D	Weight Limit per Shelf	Finish	STANDARD PACK		BULK PACK	
Stock #	# of Shelves	Stock #	# of Shelves							Units per Carton	Carton Weight	Units per Carton	Carton Weight
<b>FULL-ROUND</b>													
PFN18ST-W	2	PFN18SBT-W*	10	18" [457.2 mm]	-	-	-	30 lbs. [13.6 kg.]	White	1	8.4 lbs. [3.8 kg.]	5	39.3 lbs. [17.9 kg.]
PFN18S3T-W	3	NA	NA	18" [457.2 mm]	-	-	-	30 lbs. [13.6 kg.]	White	1	12.1 lbs. [5.5 kg.]	NA	NA
PFN20ST-W	2	PFN20SBT-W*	10	20" [508 mm]	-	-	-	38 lbs. [17.1 kg.]	White	1	10.1 lbs. [4.6 kg.]	5	45.3 lbs. [20.6 kg.]
PFN20S3T-W	3	NA	NA	20" [508 mm]	-	-	-	38 lbs. [17.1 kg.]	White	1	14.3 lbs. [6.5 kg.]	NA	NA
PFN24ST-W	2	PFN24SBT-W*	10	24" [609.6 mm]	-	-	-	55 lbs. [24.9 kg.]	White	1	12.1 lbs. [5.5 kg.]	5	54.6 lbs. [24.8 kg.]
PFN28ST-W	2	PFN28SBT-W*	10	28" [711.2 mm]	-	-	-	78 lbs. [35.4 kg.]	White	1	15.5 lbs. [7.0 kg.]	5	74.4 lbs. [33.8 kg.]
PFN32ST-W	2	PFN32SBT-W*	10	32" [812.8 mm]	-	-	-	78 lbs. [35.4 kg.]	White	1	18.2 lbs. [8.3 kg.]	5	83.8 lbs. [38.1 kg.]
<b>KIDNEY-SHAPED</b>													
PKN18ST-W	2	PKN18SBT-W*	10	18" [457 mm]	10-1/4" [260 mm]	1-1/4" [31 mm]	15/16" [24 mm]	23 lbs. [10.4 kg.]	White	1	7.9 lbs. [3.6 kg.]	5	36.7 lbs. [16.7 kg.]
PKN24ST-W	2	PKN24SBT-W*	10	24" [609 mm]	14-1/4" [362 mm]	2-1/4" [57 mm]	1-5/8" [40 mm]	45 lbs. [20.4 kg.]	White	1	9.9 lbs. [4.5 kg.]	5	45.2 lbs. [20.5 kg.]
PKN28ST-W	2	PKN28SBT-W*	10	28" [711 mm]	18-1/4" [464 mm]	4-1/4" [107 mm]	3-1/16" [76 mm]	67 lbs. [30.4 kg.]	White	1	13 lbs. [5.9 kg.]	5	58.8 lbs. [26.7 kg.]
PKN32ST-W	2	PKN32SBT-W*	10	32" [812 mm]	22-1/4" [565 mm]	6-1/4" [158 mm]	4-7/16" [112 mm]	93 lbs. [42.2 kg.]	White	1	16.9 lbs. [7.7 kg.]	5	79.1 lbs. [36 kg.]

\* Bulk Packs include 25-1/2" [648 mm] – 31-1/2" [800 mm] posts and hardware. NA = not available.

See Page 29 for available Cabinet and Shelf Lip Dimensions for the part numbers on this page.



Tel. 800.253.1561  
Fax 877.636.3290  
www.kv.com



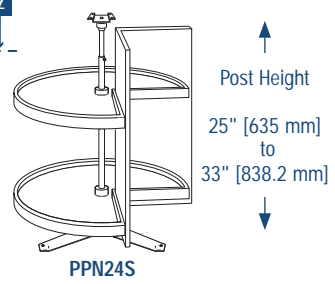
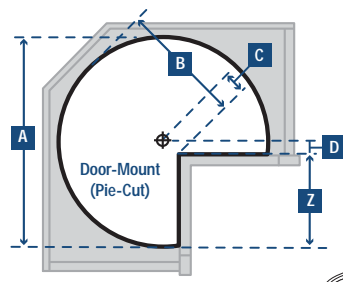
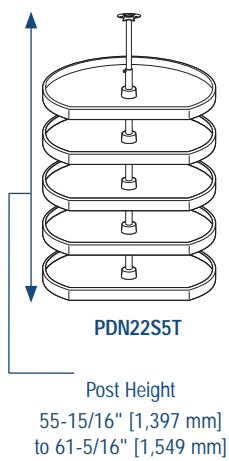
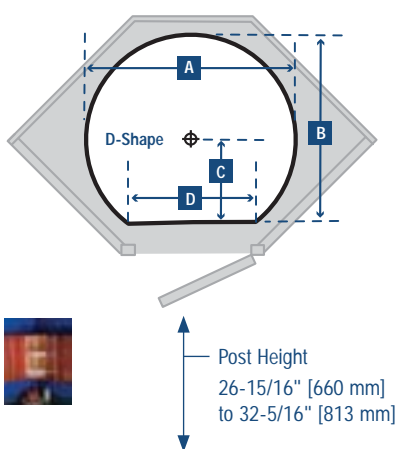


## Polymer D-Shaped Lazy Susans

- 2 shelf set for use in upper pantry cabinets
- 5 shelf set for use in lower section of tall pantry cabinets or in 24" deep utility cabinets

## Polymer Door-Mount Lazy Susans

- Doors attach to susan shelves for automatic shelf retrieval



PDN22ST-W		Diameter		B		C		D		Finish		Units per Carton		Weight per Carton	
Stock #	# of Shelves	A	B	C	D	Z	Finish	Units per Carton	Weight per Carton	Units per Carton	Weight per Carton	Units per Carton	Weight per Carton		
<b>POLYMER D-SHAPED LAZY SUSANS</b>															
PDN22ST-W	2	22" [559 mm]	18-3/16" [462 mm]	7-3/16" [183 mm]	16-11/16" [424 mm]		White	1	9.1 lbs. [4.1 kg.]						
PDN22S5T-W	5	22" [559 mm]	18-3/16" [462 mm]	7-3/16" [183 mm]	16-11/16" [424 mm]		White	1	20.7 lbs. [9.4 kg.]						
STANDARD PACK		BULK PACK		Diameter		Z		Finish		STANDARD PACK		BULK PACK			
Stock #	# of Shelves	Stock #	# of Shelves	A	B	C	D	Z	Finish	Units per Carton	Weight per Carton	Units per Carton	Weight per Carton		
<b>POLYMER DOOR-MOUNT LAZY SUSANS</b>															
PPN24S-W	2	PPN24SB-W	10	24" [609 mm]	14-1/4" [362 mm]	2-1/4" [57 mm]	1-5/8" [41 mm]	10-3/8" [264 mm]	White	1	10.7 lbs. [4.9 kg.]	5	30.6 lbs. [13.9 kg.]		
PPN28S-W	2	PPN28SB-W	10	28" [711 mm]	18-1/4" [464 mm]	4-1/4" [108 mm]	3-1/16" [78 mm]	10-15/16" [278 mm]	White	1	13.8 lbs. [6.3 kg.]	5	63.4 lbs. [28.8 kg.]		

See Page 30 for available Cabinet and Shelf Lip Dimensions for the part numbers on this page.

Tel. 800.253.1561  
Fax 877.636.3290  
www.kv.com





Pivot/Pivot Operation  
(PHM28PP-W shown)



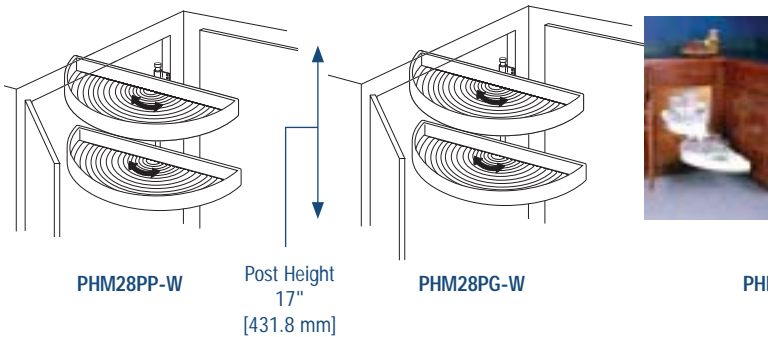
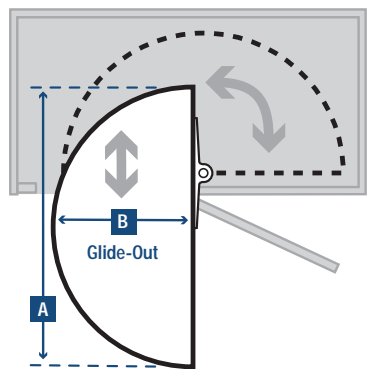
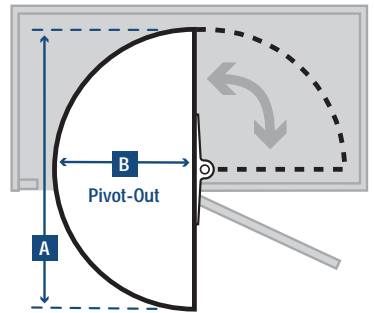
Pivot/Glide Operation  
(PHM28PG-W shown)



Glide/Glide Operation  
(PHM28GG-W shown)

## Polymer Half-Moon Lazy Susans

- Shelves move independently on chrome 1" diameter post
- All models operate in both right- or left-handed applications
- Pivot/Pivot Operation: both shelves pivot out
- Pivot/Glide Operation: top shelf pivots out / bottom shelf pivots and glides out
- Glide/Glide Operation: both shelves pivot and glide out
- All glide-out shelves extend 11-3/4" on precision ball bearing slides



Stock #	A	B	Finish	Units per Carton	Weight per Carton
<b>PIVOT/PIVOT [TOP/BOTTOM] SHELF MOTION</b>					
PHM28PP-W	27-7/8" [708 mm]	13" [330 mm]	White	1	13 lbs. [5.9 kg.]
<b>PIVOT/GLIDE [TOP/BOTTOM] SHELF MOTION</b>					
PHM28PG-W	27-7/8" [708 mm]	13" [330 mm]	White	1	16.5 lbs. [7.5 kg.]
PHM34PG-W	33-7/8" [860 mm]	16" [406 mm]	White	1	20 lbs. [9.1kg.]
PHM40PG-W	39-7/8" [1013 mm]	19" [483 mm]	White	1	27.4 lbs. [12.4 kg.]

Stock #	A	B	Finish	Units per Carton	Weight per Carton
<b>GLIDE/GLIDE [TOP/BOTTOM] SHELF MOTION</b>					
PHM28GG-W	27-7/8" [708 mm]	13" [330 mm]	White	1	19.8 lbs. [9.0 kg.]
PHM34GG-W	33-7/8" [860 mm]	16" [406 mm]	White	1	22.1 lbs. [10.0 kg.]
PHM40GG-W	39-7/8" [1013 mm]	19" [483 mm]	White	1	30.8 lbs. [14.0 kg.]



Tel. 800.253.1561  
Fax 877.636.3290  
www.kv.com

See Page 31 for available Cabinet and Shelf Lip Dimensions for the part numbers on this page.



FR28STM-W




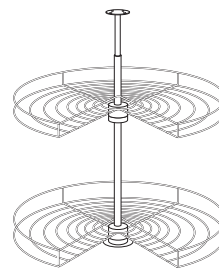
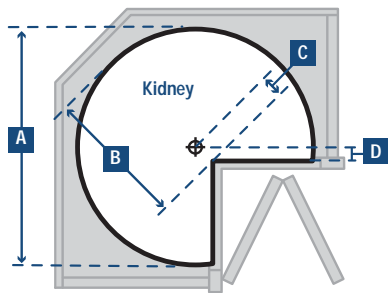
PC28STM-FN



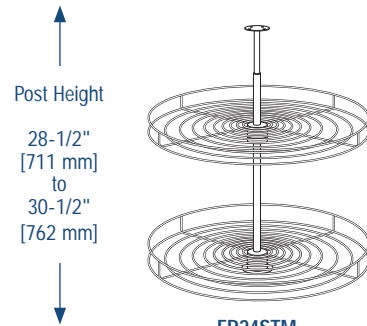
PC28STM-W

## Wire Full-Round & Kidney-Shaped Lazy Susans

-  NEW KV eco-friendly Frosted Nickel finish or White
- Individual shelf rotation on chrome 1" diameter telescoping post
- Shelf mounting system allows for unlimited shelf positions on post



PC24STM



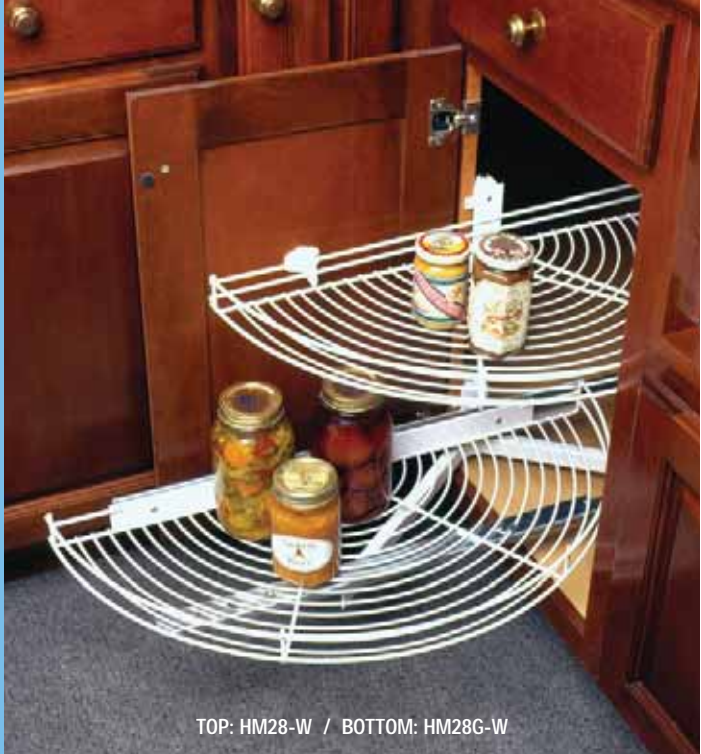
FR24STM

Stock #	Diameter A	B	C	D	Finish	Units per Carton	Weight per Carton
<b>FULL-ROUND</b>							
FR24STM-FN	24" [609.6 mm]	-	-	-	Frosted Nickel	1	12.8 lbs. [5.8 kg.]
FR28STM-FN	28" [711.2 mm]	-	-	-	Frosted Nickel	1	17.2 lbs. [7.8 kg.]
FR24STM-W	24" [609.6 mm]	-	-	-	White	1	12.8 lbs. [5.8 kg.]
FR28STM-W	28" [711.2 mm]	-	-	-	White	1	17.2 lbs. [7.8 kg.]
<b>KIDNEY-SHAPED</b>							
PC24STM-FN	24" [610 mm]	14-3/8" [365 mm]	2-3/8" [60 mm]	1-11/16" [43 mm]	Frosted Nickel	1	12.1 lbs. [5.5 kg.]
PC28STM-FN	28" [711 mm]	18-5/8" [473 mm]	4-5/8" [117 mm]	3-5/16" [84 mm]	Frosted Nickel	1	16.4 lbs. [7.5 kg.]
PC32STM-FN	32" [813 mm]	20-3/4" [527 mm]	4-3/4" [121 mm]	3-3/8" [86 mm]	Frosted Nickel	1	18 lbs. [8.2 kg.]
PC24STM-W	24" [610 mm]	14-3/8" [365 mm]	2-3/8" [60 mm]	1-11/16" [43 mm]	White	1	12.1 lbs. [5.5 kg.]
PC28STM-W	28" [711 mm]	18-5/8" [473 mm]	4-5/8" [117 mm]	3-5/16" [84 mm]	White	1	16.4 lbs. [7.5 kg.]
PC32STM-W	32" [813 mm]	20-3/4" [527 mm]	4-3/4" [121 mm]	3-3/8" [86 mm]	White	1	18 lbs. [8.2 kg.]

See Page 29 for available Cabinet and Shelf Lip Dimensions for the part numbers on this page.

Tel. 800.253.1561  
Fax 877.636.3290  
www.kv.com






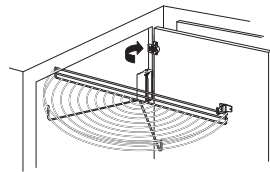
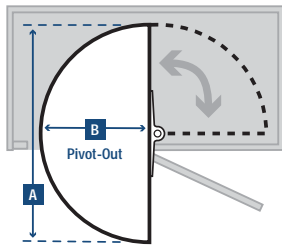
TOP: HM28-W / BOTTOM: HM28G-W



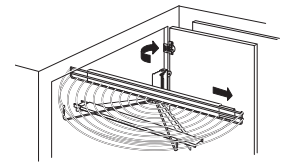
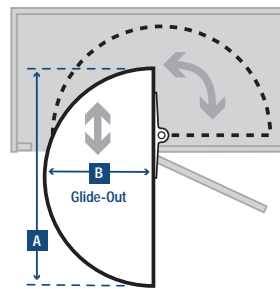
HM28G-FN

## Wire Half-Moon Lazy Susans

- Designed for use in blind corner cabinets
-  NEW KV eco-friendly  
Frosted Nickel finish or White
- Pivot-out shelf features non-handed reversible hinge system
- Glide-out shelf extends on 21-5/8" heavy-duty ball bearing slides
- Nylon door follower attaches susan to door for automatic shelf retrieval



HM28



HM28G

Stock #	Diameter A	B	Finish	Units per Carton	Weight per Carton
<b>PIVOT-OUT SHELF MOTION</b>					
HM25-W	24-1/2" [622 mm]	11-11/16" [297 mm]	White	1	4.4 lbs. [2.0 kg.]
HM28-W	27-1/2" [699 mm]	13-3/16" [335 mm]	White	1	4.7 lbs. [2.1 kg.]
HM30-W	29-1/2" [749 mm]	14-1/8" [359 mm]	White	1	5.0 lbs. [2.3 kg.]
HM34-W	33-1/2" [851 mm]	16-3/16" [411 mm]	White	1	6.0 lbs. [2.7 kg.]
HM25-FN	24-1/2" [622 mm]	11-11/16" [297 mm]	Frosted Nickel	1	4.4 lbs. [2.0 kg.]
HM28-FN	27-1/2" [699 mm]	13-3/16" [335 mm]	Frosted Nickel	1	4.7 lbs. [2.1 kg.]
HM34-FN	33-1/2" [851 mm]	16-3/16" [411 mm]	Frosted Nickel	1	6.0 lbs. [2.7 kg.]

Stock #	Diameter A	B	Finish	Units per Carton	Weight per Carton
<b>GLIDE-OUT SHELF MOTION</b>					
HM25G-W	24-13/16" [630 mm]	11-1/2" [292 mm]	White	1	9.9 lbs. [4.5 kg.]
HM28G-W	27-13/16" [706 mm]	13" [330 mm]	White	1	10.9 lbs. [4.9 kg.]
HM34G-W	33-13/16" [859 mm]	16" [406 mm]	White	1	11.7 lbs. [5.3 kg.]
HM25G-FN	24-13/16" [630 mm]	11-1/2" [292mm]	Frosted Nickel	1	9.9 lbs. [4.5 kg.]
HM28G-FN	27-13/16" [706 mm]	13" [330 mm]	Frosted Nickel	1	10.9 lbs. [5 kg.]
HM34G-FN	33-13/16" [859 mm]	16" [406 mm]	Frosted Nickel	1	11.7 lbs. [5.3 kg.]
HM28G-P	27-13/16" [706 mm]	13" [330 mm]	Platinum	1	10.9 lbs. [5 kg.]



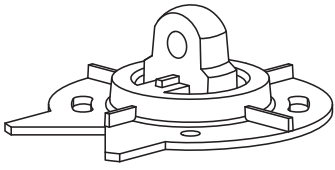
Tel. 800.253.1561  
Fax 877.636.3290  
www.kv.com

See Page 31 for available Cabinet and Shelf Lip Dimensions for the part numbers on this page.

# Individual Hardware Replacement Parts

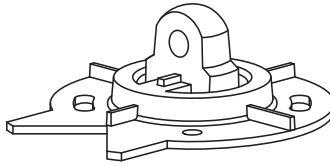
## 1 LS-UNIMNT-DWL

Doweled Plastic Unimount Plate  
(For Polymer/Wood Full-Round  
and Kidney Lazy Susans)



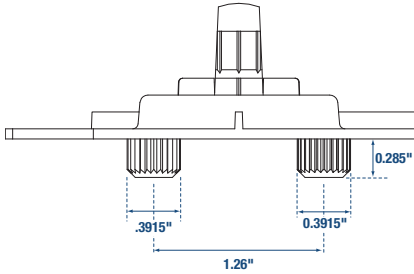
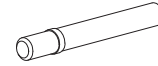
## 2 LS-UNIMNT-AA

Metal (Aluminum) Unimount Plate  
(For Polymer/Wood Full-Round  
and Kidney Lazy Susans)



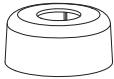
## 3 HUB-PIN

Bearing Pin for Lazy Susans  
(For Polymer/Wood Full-Round, Kidney  
Door-Mount, and Single Shelf Lazy Susans)



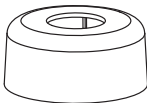
## 4 PLC-BR-C-10

Beauty Cap  
(For Polymer 18" & 20" Full-Round  
and 18" Kidney Lazy Susans)



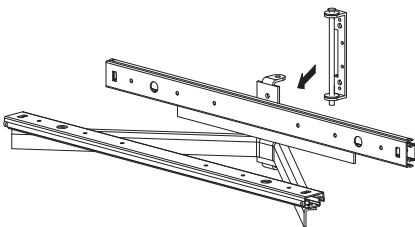
## 5 PLC-BROS-C-10

Beauty Cap (Oversized)  
(For Polymer 28" & 32" Full-Round, 24", 28" & 32"  
Kidney and 22" D-Shaped Lazy Susans)

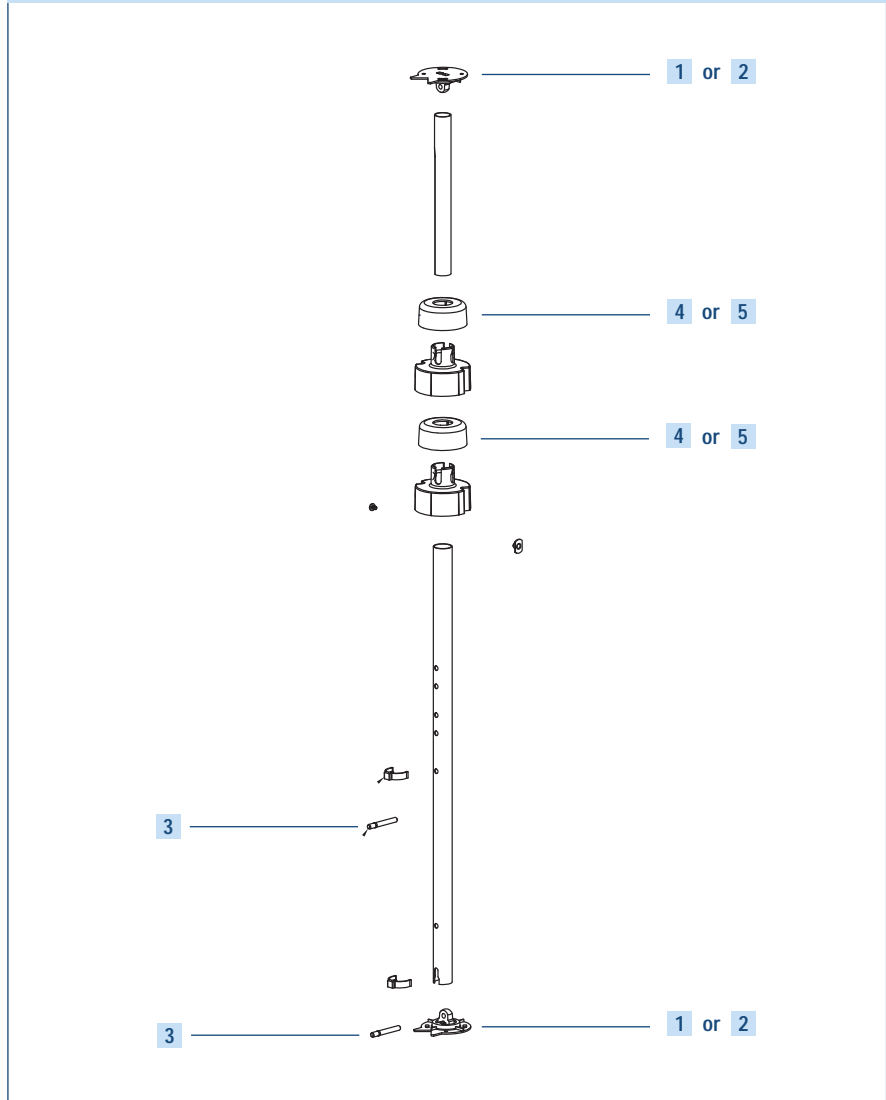


## 6 RH7G-W

Slide & Shelf Frame Assembly  
(For Wire Half-Moon Glide-Out Lazy Susans.)



### Application Example



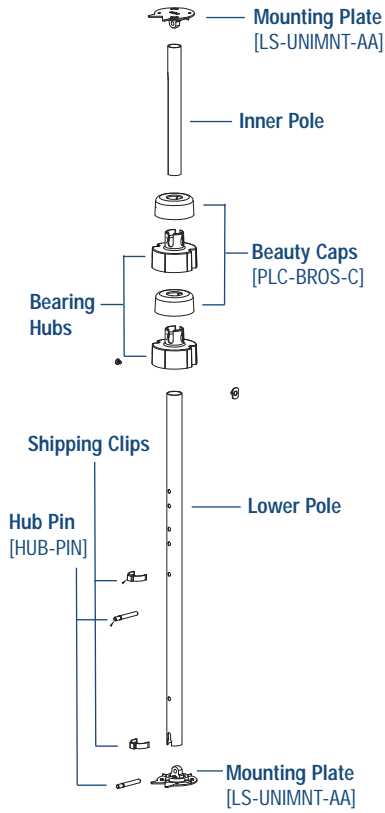
Stock #	Description	Units	Weight per Unit
<b>INDIVIDUAL HARDWARE PARTS (Sold per Unit)</b>			
1	LS-UNIMNT-DWL Doweled Plastic Unimount Plate	1	0.04 lbs. [ 0.02kg.]
2	LS-UNIMNT-AA Metal (Aluminum) Unimount Plate	1	0.07 lbs. [ 0.03kg.]
3	HUB-PIN Bearing Pin for Lazy Susans	1	0.5 lbs. [0.2 kg.]

Stock #	Description	Units per Carton	Weight per Carton
<b>INDIVIDUAL HARDWARE PARTS (Sold per Carton)</b>			
4	PLC-BR-C-10 Beauty Cap	10	1.5 lbs. [ 0.68 kg.]
5	PLC-BROS-C-10 Beauty Cap (Oversized)	10	0.4 lbs. [ 0.18 kg.]
6	RH7G-W Polymer Glide-Out Slide & Shelf Frame Assembly	2	12.8 lbs. [5.8 kg.]

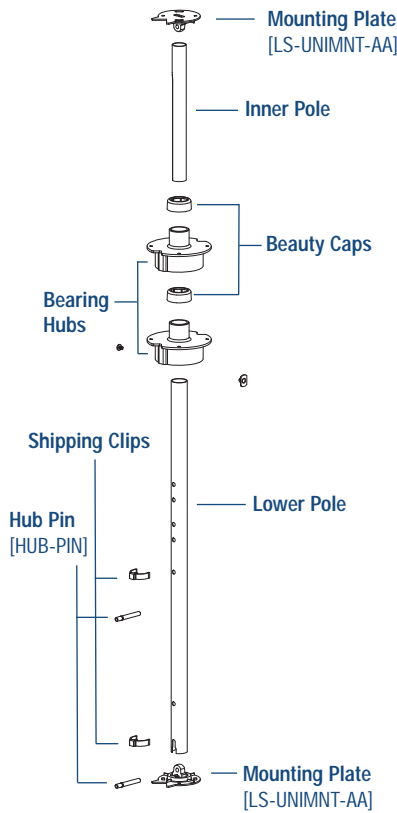


# Lazy Susan Post Replacement Parts

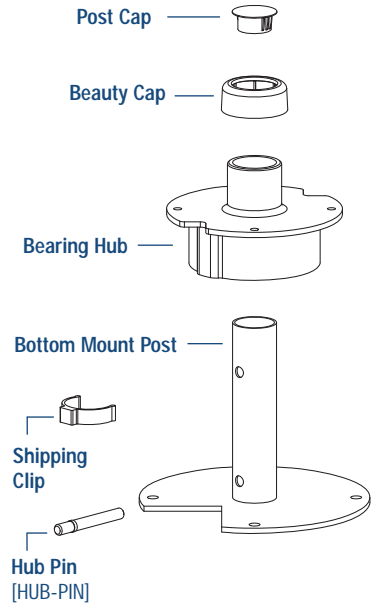
### 1 For POLYMER Full-Round / Kidney Shelves



### 2 For WOOD Full-Round / Kidney Shelves



### 3 For WOOD Single Shelf System



#### LAZY SUSAN POST HARDWARE PACKS

STANDARD PACK #	Pkd.	BULK PACK #	Pkd.	For Shelf Type(s)	Bearing Hubs	Beauty/Post Caps	Mounting Plates	Post Height Range	STD. PK. Carton Wt.	BULK PK. Carton Wt.	
<b>Full-Round</b>											
2	HWR-WFS-1-PC	1	NA	NA	Wood	Platinum	Chrome	Metal Unimount	25-1/2" - 31-1/2" [635 mm - 787 mm]	2.8 lbs. [1.3 kg.]	NA
2	HWR-WFS-1SET-W	1	NA	NA	Wood	White	White	White Plastic Unimount	25-1/2" - 31-1/2" [635 mm - 787 mm]	2.8 lbs. [1.3 kg.]	NA
1	HN-F-TEL-PT	1	HN-F-TEL-PT-5	5	Polymer	White	NA	Metal Unimount	25-1/2" - 31-1/2" [635 mm - 787 mm]	4.8 lbs. [2.2 kg.]	24 lbs. [10.9 kg.]
<b>Kidney-Shaped</b>											
2	HWR-WKS-1-PC	1	NA	NA	Wood	Platinum	Chrome	Metal Unimount	25-1/2" - 31-1/2" [635 mm - 787 mm]	2.8 lbs. [1.3 kg.]	NA
2	HWR-WKS-1SET-W	1	NA	NA	Wood	White	White	Metal Unimount	25-1/2" - 31-1/2" [635 mm - 787 mm]	2.7 lbs. [1.2 kg.]	NA
2	NA	NA	HWR WS BLK 10	10	Wood	White	White	White Plastic Unimount	25-1/2" - 31-1/2" [635 mm - 787 mm]	NA	20 lbs. [9.1 kg.]
2	HWR-WS-1-DWL	1	HWR WS BLK 10-D	10	Wood	White	White	Doweled White Plastic Unimount	25-1/2" - 31-1/2" [635 mm - 787 mm]	2.6 lbs. [1.2 kg.]	21.4 lbs. [9.7 kg.]
1	HN-K-TEL-PT	1	HN-K-TEL-PT-5	5	Polymer	White	Chrome	Metal Unimount	25-1/2" - 31-1/2" [635 mm - 787 mm]	1.9 lbs. [0.9 kg.]	9.5 lbs. [4.3 kg.]
<b>Single Shelf System Hardware</b>											
3	NA	NA	HWR WS 10 0425	10	Wood	White	White	Integrated into Pole	4-1/4" [102 mm]	NA	11.1 lbs. [5.0 kg.]

All hardware packs include hub pins [HUB-PIN], shipping clips, installation hardware and instruction sheets. NA = not available.

NOTE: Items with part numbers may be ordered individually, see page 27.

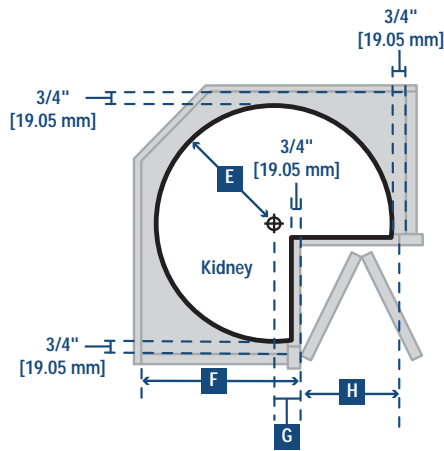


Tel. 800.253.1561  
Fax 877.636.3290  
www.kv.com

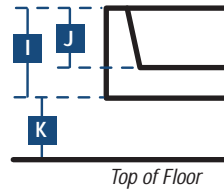
# Cabinet and Shelf Lip Dimensions

## KIDNEY-SHAPED LAZY SUSANS

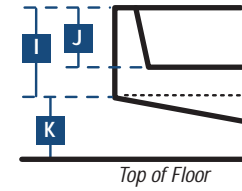
- E** = Radius
- F** = Min. Cabinet Depth
- G** = Center of Rotation
- H** = Min. Cabinet Opening



WOOD Shelf Lip

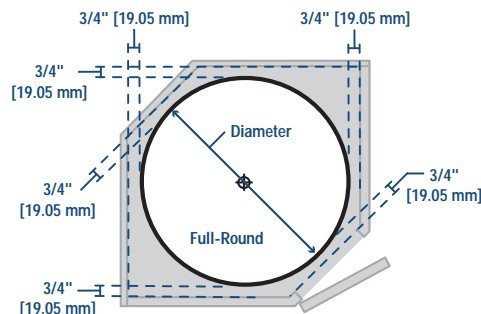


WIRE & POLYMER Shelf Lip



Stock #	E	F	G	H	I	J	K	Mounting
<b>WOOD Kidney-Shaped Lazy Susans</b>								
SDS-KD-28-FNW	14-7/16" [367 mm]	21-5/8" [549 mm]	6-7/16" [164 mm]	9-1/4" [235 mm]	4-1/8" [105 mm]	3-7/16" [87 mm]	2-1/16" [52 mm]	Top/Bottom
WKS24ST-PLYWD	12" [305 mm]	15-1/2" [394 mm]	4-1/8" [105 mm]	7-15/16" [202 mm]	1-5/8" [41 mm]	1-1/8" [29 mm]	1-15/16" [49 mm]	Top/Bottom
WKS28ST-PLYWD	14" [356 mm]	19-1/4" [489 mm]	4-3/4" [121 mm]	9-5/16" [237 mm]	1-5/8" [41 mm]	1-1/8" [29 mm]	1-15/16" [49 mm]	Top/Bottom
WKS32ST-PLYWD	16" [406 mm]	21-1/4" [540 mm]	4-3/4" [121 mm]	11-5/16" [287 mm]	1-5/8" [41 mm]	1-1/8" [29 mm]	1-15/16" [49 mm]	Top/Bottom
<b>WIRE Kidney-Shaped Lazy Susans</b>								
PC24STM-W	12" [305 mm]	15-3/16" [386 mm]	2-7/16" [62 mm]	10" [254 mm]	2" [51 mm]	1-3/4" [44 mm]	2-3/8" [60 mm]	Top/Bottom
PC28STM-W	14" [356 mm]	18-13/16" [478 mm]	4-1/16" [103 mm]	10-1/8" [257 mm]	2" [51 mm]	1-3/4" [44 mm]	2-3/8" [60 mm]	Top/Bottom
PC32STM-W	16" [406 mm]	20-7/8" [530 mm]	4-1/8" [105 mm]	12-1/16" [306 mm]	2" [51 mm]	1-3/4" [44 mm]	2-3/8" [60 mm]	Top/Bottom
PC24STM-FN	12" [305 mm]	15-3/16" [386 mm]	2-7/16" [62 mm]	10" [254 mm]	2" [51 mm]	1-3/4" [44 mm]	2-3/8" [60 mm]	Top/Bottom
PC28STM-FN	14" [356 mm]	18-13/16" [478 mm]	4-1/16" [103 mm]	10-1/8" [257 mm]	2" [51 mm]	1-3/4" [44 mm]	2-3/8" [60 mm]	Top/Bottom
PC32STM-FN	16" [406 mm]	20-7/8" [530 mm]	4-1/8" [105 mm]	12-1/16" [306 mm]	2" [51 mm]	1-3/4" [44 mm]	2-3/8" [60 mm]	Top/Bottom
<b>POLYMER Kidney-Shaped Lazy Susans</b>								
PKN18ST-W	9" [229 mm]	11-7/16" [291 mm]	1-11/16" [43 mm]	7-5/8" [194 mm]	1-3/4" [44 mm]	1" [25 mm]	1/2 - 1-5/16" [13 - 33 mm]	Top/Bottom
PKN24ST-W	12" [305 mm]	15-1/8" [384 mm]	2-3/8" [60 mm]	10" [254 mm]	1-3/4" [44 mm]	1" [25 mm]	1/2 - 1-5/16" [13 - 33 mm]	Top/Bottom
PKN28ST-W	14" [356 mm]	18-9/16" [471 mm]	3-13/16" [97 mm]	10-1/4" [260 mm]	1-3/4" [44 mm]	1" [25 mm]	1/2 - 1-5/16" [13 - 33 mm]	Top/Bottom
PKN32ST-W	16" [406 mm]	21-15/16" [557 mm]	5-3/16" [132 mm]	10-1/2" [267 mm]	1-3/4" [44 mm]	1" [25 mm]	1/2 - 1-5/16" [13 - 33 mm]	Top/Bottom
<b>FULL-ROUND LAZY SUSANS</b>								

A minimum 3/4" side clearance is recommended between Full-Round Lazy Susan shelves and all adjacent interior surfaces (cabinet, wall, etc.).



Dimensions shown are recommended minimum cabinet dimensions and clearances.

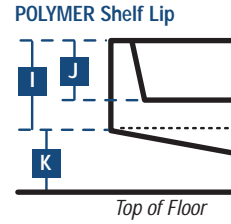
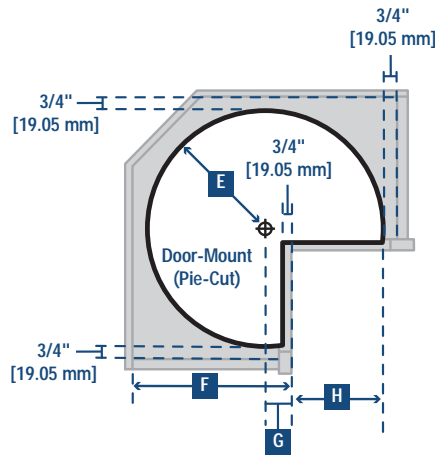
Tel. 800.253.1561  
Fax 877.636.3290  
www.kv.com



# Cabinet and Shelf Lip Dimensions

## DOOR-MOUNT / PIE-CUT LAZY SUSANS

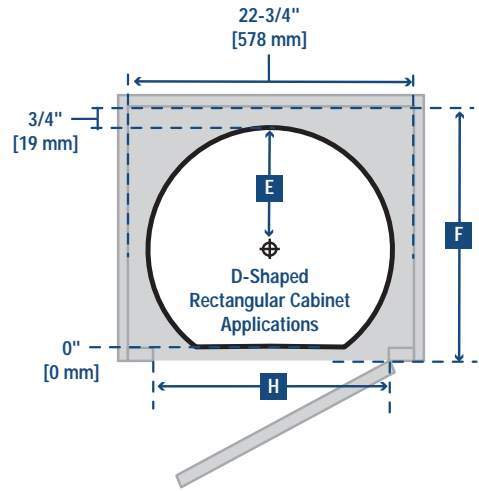
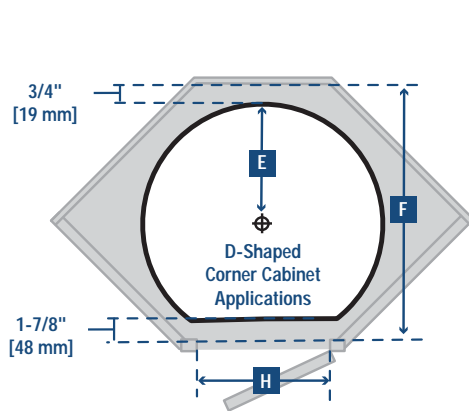
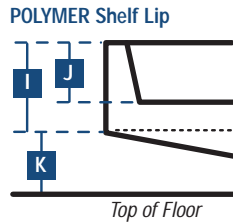
- E** = Radius
- F** = Min. Cabinet Depth
- G** = Center of Rotation
- H** = Min. Cabinet Opening



Stock #	E	F	G	H	I	J	K	Mounting
<b>POLYMER Door-Mount / Pie-Cut Lazy Susans</b>								
PPN24S-W	12" [305 mm]	15-1/8" [384 mm]	2-3/8" [60 mm]	10" [254 mm]	1-3/4" [44 mm]	1" [25 mm]	1-1/16 - 1-7/8" [27-47 mm]	Top/Bottom
PPN28S-W	14" [356 mm]	18-9/16" [471 mm]	3-13/16" [97 mm]	10-1/4" [260 mm]	1-3/4" [44 mm]	1" [25 mm]	1-1/16 - 1-7/8" [27-47 mm]	Top/Bottom

## D-SHAPED LAZY SUSANS

- E** = Radius
- F** = Min. Cabinet Depth
- G** = Center of Rotation
- H** = Min. Cabinet Opening



Stock #	E	F	G	H	I	J	K	Mounting
<b>POLYMER D-Shaped Lazy Susans / CORNER Application Dimensions</b>								
PDN22ST-W	11" [279 mm]	20-13/16" [529 mm]	11" [279 mm]	14" [356 mm]	1-3/4" [44 mm]	1" [25 mm]	1/2 - 1-5/16" [13 - 33 mm]	Top/Bottom
PDN22S5T-W	11" [279 mm]	20-13/16" [529 mm]	11" [279 mm]	14" [356 mm]	1-3/4" [44mm]	1" [25 mm]	1/2 - 1-5/16" [13 - 33 mm]	Top/Bottom
<b>POLYMER D-Shaped Lazy Susans / RECTANGULAR Application Dimensions</b>								
PDN22ST-W	11" [279 mm]	19-15/16" [506 mm]	11" [279 mm]	17-5/8" [448 mm]	1-3/4" [44 mm]	1" [25 mm]	1/2 - 1-5/16" [13 - 33 mm]	Top/Bottom
PDN22S5T-W	11" [279 mm]	19-15/16" [506 mm]	11" [279 mm]	17-5/8" [448 mm]	1-3/4" [44 mm]	1" [25 mm]	1/2 - 1-5/16" [13 - 33 mm]	Top/Bottom

Dimensions shown are recommended minimum cabinet dimensions and clearances.



Tel. 800.253.1561  
Fax 877.636.3290  
www.kv.com

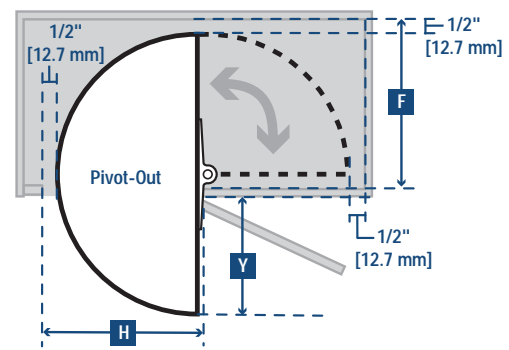
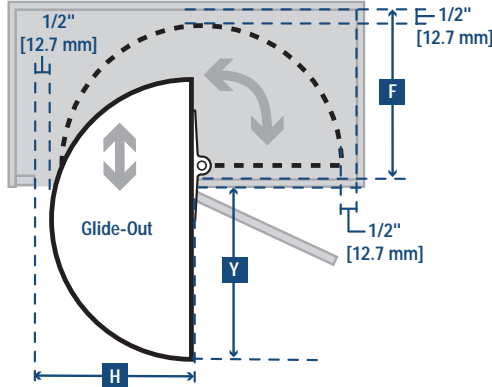
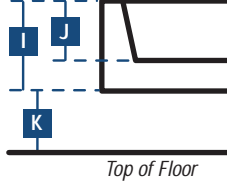


# Cabinet and Shelf Lip Dimensions

## HALF-MOON LAZY SUSANS

- F** = Min. Cabinet Depth
- H** = Min. Cabinet Opening

### WIRE & POLYMER Shelf Lip



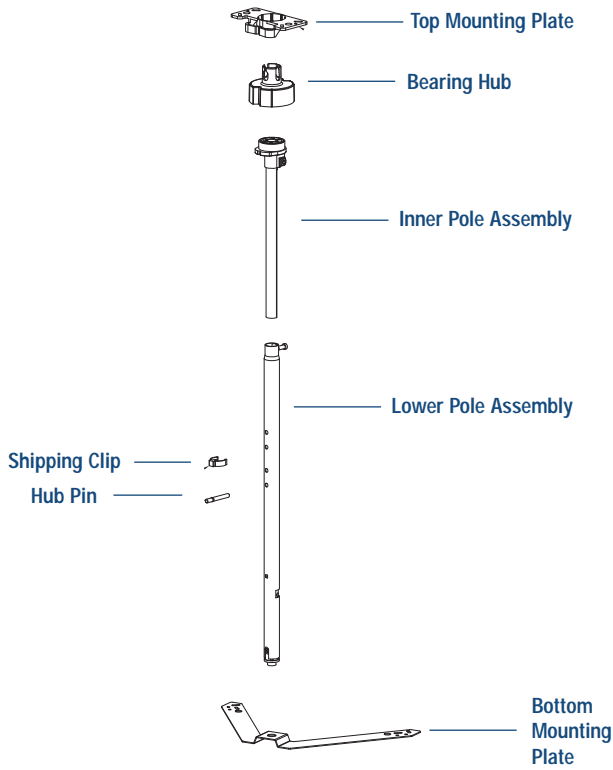
Stock #	F	H	I	J	K	Y	Mounting
<b>WIRE Half-Moon Lazy Susans</b>							
HM25-W	13-1/2" [343 mm]	12-3/8" [314 mm]	2" [51 mm]	1-3/4" [44 mm]	1-3/4" [44 mm]	10-7/8" [276 mm]	Side Bracket
HM28-W	14-15/16" [379 mm]	13-7/8" [352 mm]	2" [51 mm]	1-3/4" [44 mm]	1-3/4" [44 mm]	12-5/16" [313 mm]	Side Bracket
HM30-W	15-15/16" [405 mm]	14-13/16" [376 mm]	2" [51 mm]	1-3/4" [44 mm]	1-3/4" [44 mm]	13-5/16" [338 mm]	Side Bracket
HM34-W	17-15/16" [456 mm]	16-3/8" [416 mm]	2" [51 mm]	1-3/4" [44 mm]	1-3/4" [44 mm]	15-5/16" [389 mm]	Side Bracket
HM25-FN	13-1/2" [343 mm]	12-3/8" [314mm]	2" [51 mm]	1-3/4" [44 mm]	1-3/4" [44 mm]	10-7/8" [276 mm]	Side Bracket
HM28-FN	14-15/16" [379 mm]	13-7/8" [352 mm]	2" [51 mm]	1-3/4" [44 mm]	1-3/4" [44 mm]	12-5/16" [313 mm]	Side Bracket
HM34-FN	17-15/16" [456 mm]	16-3/8" [416 mm]	2" [51 mm]	1-3/4" [44 mm]	1-3/4" [44 mm]	15-5/16" [389 mm]	Side Bracket
HM25G-W	13-5/8" [346 mm]	13-5/16" [338 mm]	2" [51 mm]	1-3/4" [44 mm]	2-1/2" [64 mm]	27-3/4" [705 mm]	Side Bracket
HM28G-W	15-1/8" [384 mm]	14-5/16" [364 mm]	2" [51 mm]	1-3/4" [44 mm]	2-1/2" [64 mm]	29-3/16" [741 mm]	Side Bracket
HM34G-W	18-1/8" [460 mm]	17-13/16" [452 mm]	2" [51 mm]	1-3/4" [44 mm]	2-1/2" [64 mm]	32-3/16" [818 mm]	Side Bracket
HM25G-FN	13-5/8" [346 mm]	13-5/16" [338 mm]	2" [51 mm]	1-3/4" [44 mm]	2-1/2" [64 mm]	27-3/4" [705 mm]	Side Bracket
HM28G-FN	15-1/8" [384 mm]	14-5/16" [364 mm]	2" [51 mm]	1-3/4" [44 mm]	2-1/2" [64 mm]	29-3/16" [741 mm]	Side Bracket
HM34G-FN	18-1/8" [460 mm]	17-13/16" [452 mm]	2" [51mm]	1-3/4" [44 mm]	2-1/2" [64 mm]	32-3/16" [818 mm]	Side Bracket
HM28G-P	15-1/8" [384 mm]	14-5/16" [364 mm]	2" [51 mm]	1-3/4" [44 mm]	2-1/2" [64 mm]	29-3/16" [741 mm]	Side Bracket
<b>POLYMER Half-Moon Lazy Susans</b>							
PHM28PP-W	16-1/4" [413 mm]	13-3/4" [349 mm]	2-1/2" [64 mm]	1-1/2" [38 mm]	2" [51 mm]	11-1/2" [292 mm]	Side/Bottom
PHM28PG-W	16-1/4" [413 mm]	13-3/4" [349 mm]	2-1/2" [64 mm]	1-1/2" [38 mm]	2-11/16" [68 mm]	23-1/4" [591 mm]	Side/Bottom
PHM34PG-W	19-1/4" [489 mm]	16-3/4" [425 mm]	2-1/2" [64 mm]	1-1/2" [38 mm]	2-11/16" [68 mm]	26-1/4" [667 mm]	Side/Bottom
PHM40PG-W	22-1/4" [565 mm]	19-3/4" [502 mm]	2-1/2" [64 mm]	1-1/2" [38 mm]	2-11/16" [68 mm]	29-1/4" [743 mm]	Side/Bottom
PHM28GG-W	16-1/4" [413 mm]	13-3/4" [349 mm]	2-1/2" [64 mm]	1-1/2" [38 mm]	2-11/16" [68 mm]	23-1/4" [591 mm]	Side/Bottom
PHM34GG-W	19-1/4" [489 mm]	16-3/4" [425 mm]	2-1/2" [64 mm]	1-1/2" [38 mm]	2-11/16" [68 mm]	26-1/4" [677 mm]	Side/Bottom
PHM40GG-W	22-1/4" [565 mm]	19-3/4" [502 mm]	2-1/2" [64 mm]	1-1/2" [38 mm]	2-11/16" [68 mm]	29-1/4" [743 mm]	Side/Bottom

Dimensions shown are recommended minimum cabinet dimensions and clearances.

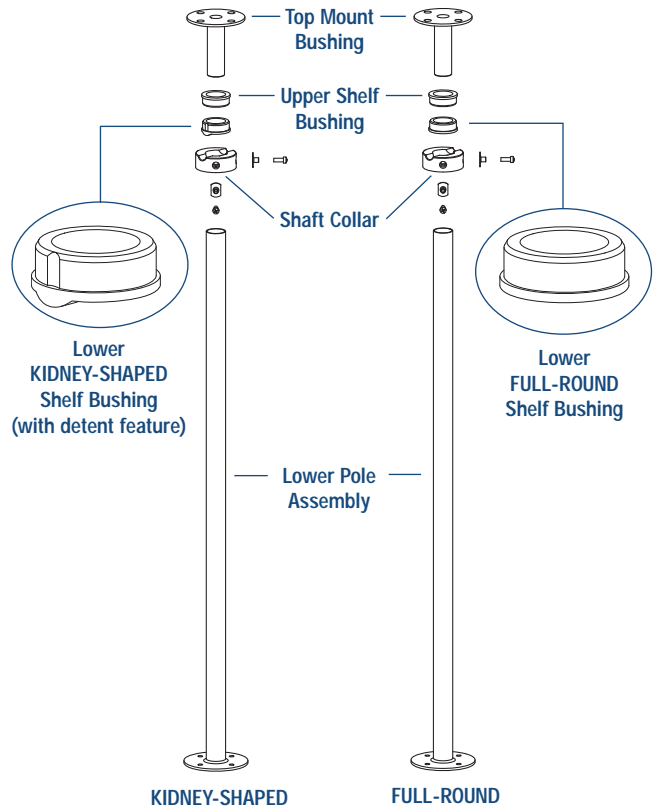


# Lazy Susan Post Diagrams

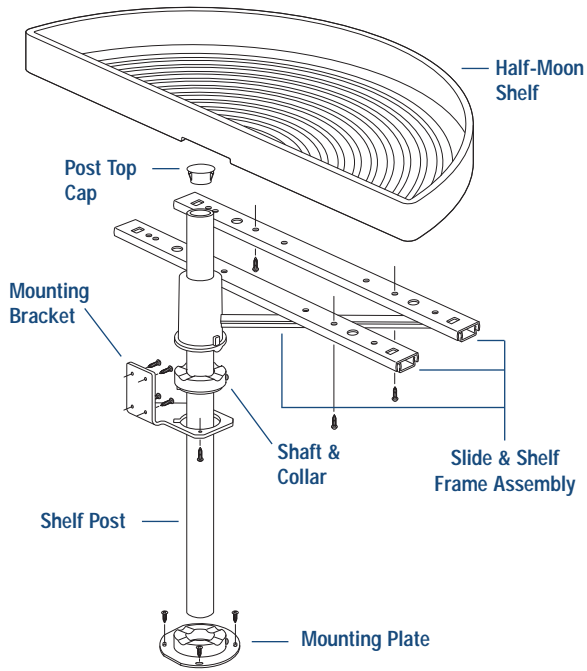
## For POLYMER Door-Mount/Pie-Cut Lazy Susans



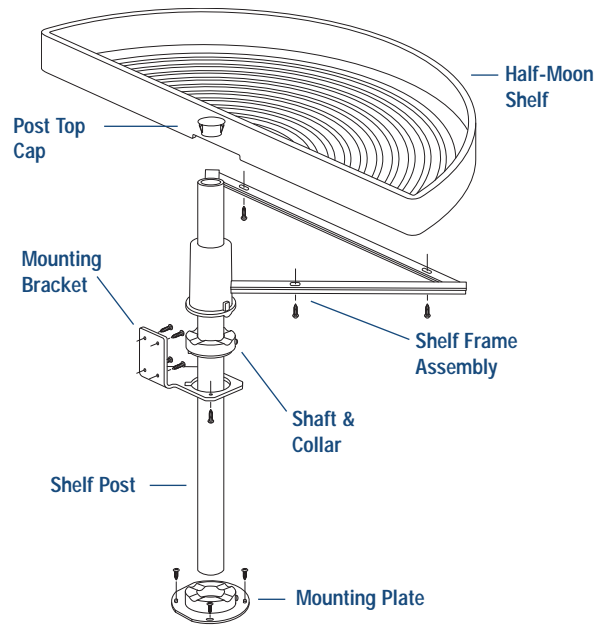
## For WIRE Full-Round/Kidney-Shaped Lazy Susans



## For POLYMER Half-Moon Glide-Out Lazy Susan Shelves



## For POLYMER Pivot-Out Glide-Out Lazy Susan Shelves



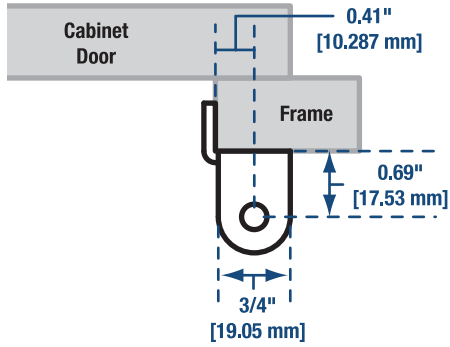
For illustration purposes diagrams on this page are shown with one shelf. See individual product pages for more information.



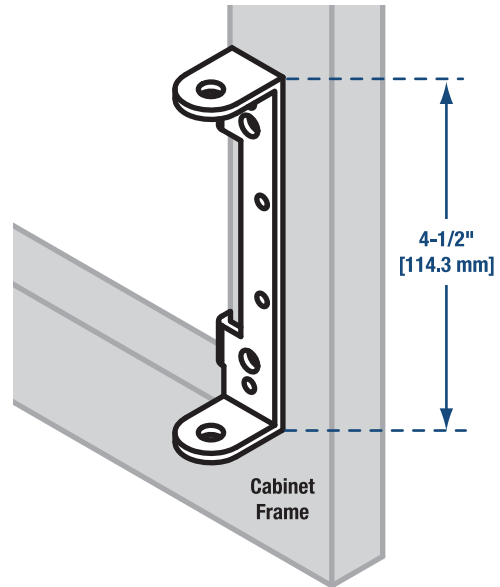
# Lazy Susan Bracket Diagrams

## WIRE HALF MOON HINGE BRACKETS

Top View - For all Wire Half Moon Susans

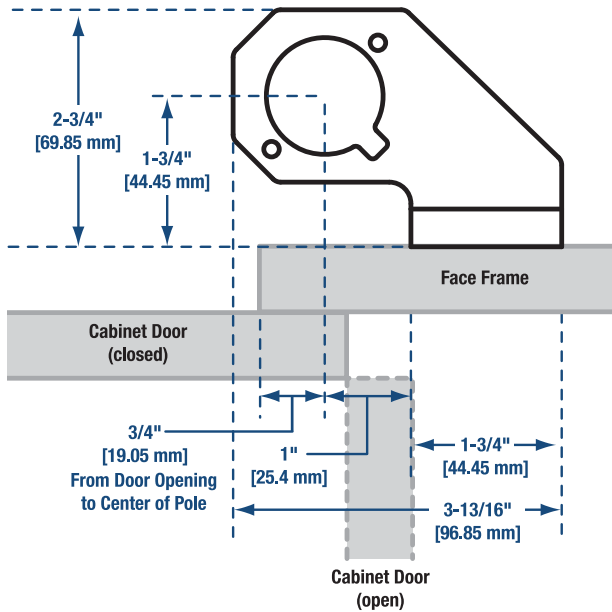


Side View- For all Wire Half Moon Susans



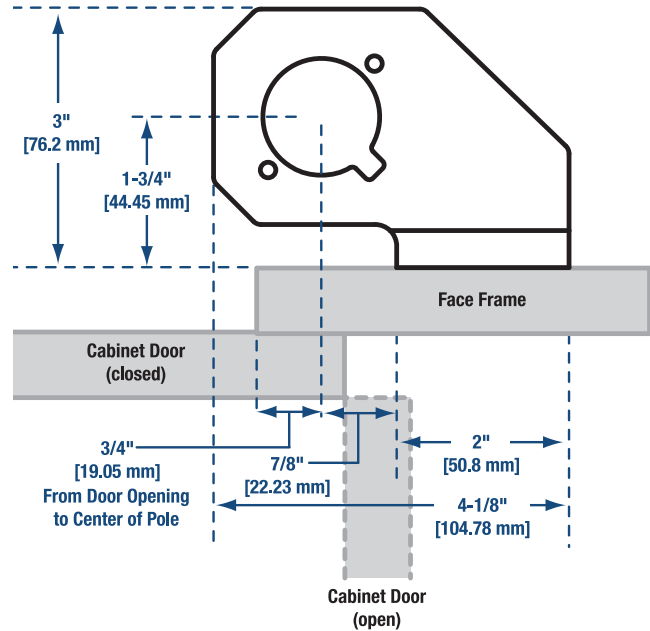
## POLYMER HALF MOON HINGE BRACKETS

For PHM28 and PHM34 Part Numbers



NOTE: For frameless cabinet applications, move bracket 1-1/4" [31.75 mm] toward cabinet opening.

For PHM40 Part Numbers



NOTE: For frameless cabinet applications, move bracket 1-1/4" [31.75 mm] toward cabinet opening.

# Drawer Inserts & Sink Front Trays

34



36 Tableware Trays



37 Utility Trays



38 Spice Trays



39 Steel Trays





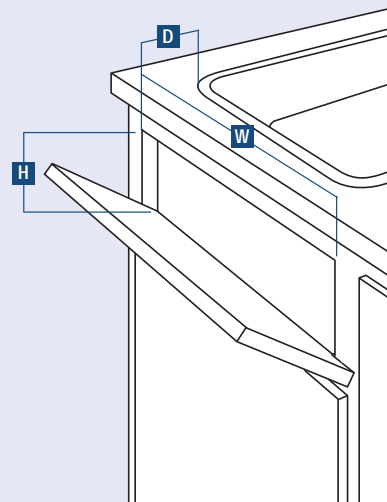
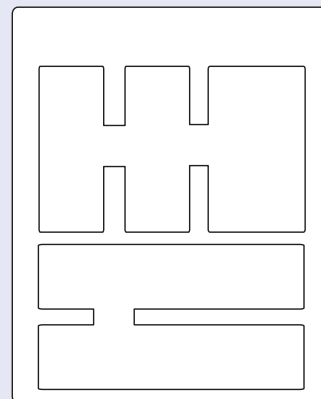
35

41 Polymer Trays

44 Hinges

45 Drawer Insert Diagrams

46 Cabinet Dimensions





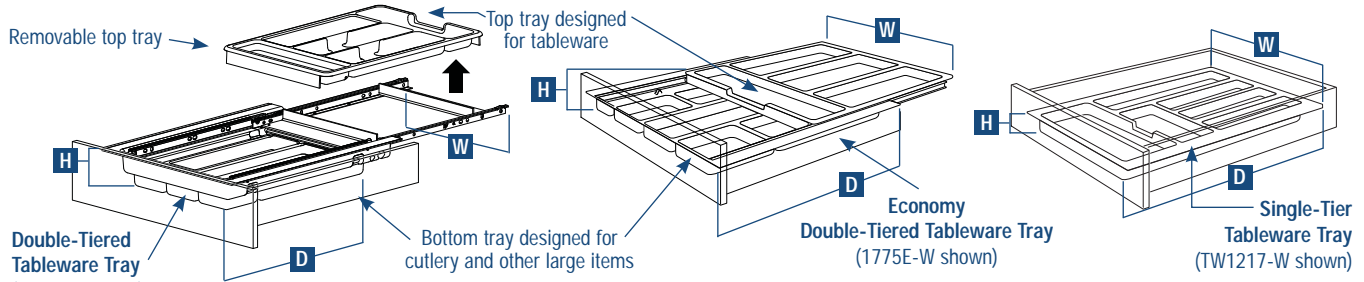
Double-Tiered Tableware Tray  
(1775-W with removable top tray shown)



Single-Tiered Tableware Tray  
(TW1217-W shown)

## Tableware Trays

- Organizes tableware, cutlery and more into easy-access trays
- Durable, high gloss white polystyrene cleans up easily and trims-to-fit drawer
- Double-tiered units double storage capacity and come pre-assembled with epoxy-coated drawer slides



Stock #	H Height	W Width	D Depth	Finish	Units per Carton	Weight per Carton
<b>DOUBLE-TIERED TABLEWARE TRAYS* (with removable top tray)</b>						
1475-W	3-1/2" [89 mm]**	12-1/4" [311 mm] to 14-3/4" [375 mm]	17-1/4" [438 mm] to 19-1/4" [489 mm]	White	1	4.7 lbs. [2.1 kg.]
1775-W	3-1/2" [89 mm]**	15-1/4" [387 mm] to 17-3/4" [451 mm]	17-1/4" [438 mm] to 19-1/4" [489 mm]	White	1	5.4 lbs. [2.4 kg.]
2075-W	3-1/2" [89 mm]**	18-1/4" [464 mm] to 20-3/4" [527 mm]	17-1/4" [438 mm] to 19-1/4" [489 mm]	White	1	6.1 lbs. [2.8 kg.]
<b>ECONOMY DOUBLE-TIERED TABLEWARE TRAYS*</b>						
1475E-W	3-1/4" [83 mm]**	12-1/4" [311 mm] to 14-3/4" [375 mm]	17-1/4" [438 mm] to 19-1/4" [489 mm]	White	1	4.1 lbs. [1.8 kg.]
1775E-W	3-1/4" [83 mm]**	15-1/4" [387 mm] to 17-3/4" [451 mm]	17-1/4" [438 mm] to 19-1/4" [489 mm]	White	1	4.8 lbs. [2.2 kg.]
2075E-W	3-1/4" [83 mm]**	18-1/4" [464 mm] to 20-3/4" [527 mm]	17-1/4" [438 mm] to 19-1/4" [489 mm]	White	1	5.1 lbs. [2.3 kg.]
<b>SINGLE-TIERED TABLEWARE TRAYS</b>						
TW850-W	2-3/16" [56 mm]	8-3/4" [222 mm] to 11-3/4" [298 mm]	17-5/16" [440 mm] to 21" [533 mm]	White	10	8.9 lbs. [4.0 kg.]
TW1217-W	2-1/8" [54 mm]	12-3/8" [314 mm] to 14-11/16" [373 mm]	17-5/16" [440 mm] to 21" [533 mm]	White	10	10.7 lbs. [4.9 kg.]
TW1517-W	2-1/8" [54 mm]	15-5/16" [389 mm] to 17-11/16" [449 mm]	17-5/16" [440 mm] to 21" [533 mm]	White	10	12.9 lbs. [5.9 kg.]
TW1817-W	2-1/8" [54 mm]	18-3/8" [467 mm] to 21-1/8" [537 mm]	17-3/8" [441 mm] to 21" [533 mm]	White	10	15.4 lbs. [7.0 kg.]
TW850-1-W	2-3/16" [56 mm]	8-3/4" [222 mm] to 11-3/4" [298 mm]	17-5/16" [440 mm] to 21" [533 mm]	White	1	1.2 lbs. [0.5 kg.]
TW1217-1-W	2-1/8" [54 mm]	12-3/8" [314 mm] to 14-11/16" [373 mm]	17-5/16" [440 mm] to 21" [533 mm]	White	1	2.3 lbs. [1.0 kg.]
TW1517-1-W	2-1/8" [54 mm]	15-5/16" [389 mm] to 17-11/16" [449 mm]	17-5/16" [440 mm] to 21" [533 mm]	White	1	2.8 lbs. [1.3 kg.]
TW1817-1-W	2-1/8" [54 mm]	18-3/8" [467 mm] to 21-1/8" [537 mm]	17-3/8" [441 mm] to 21" [533 mm]	White	1	3.0 lbs. [1.4 kg.]

\*Rear of cabinet drawer needs to be notch cut to allow top tray of Double-Tiered Tableware Trays to slide back. \*\*Height includes top and bottom tray.

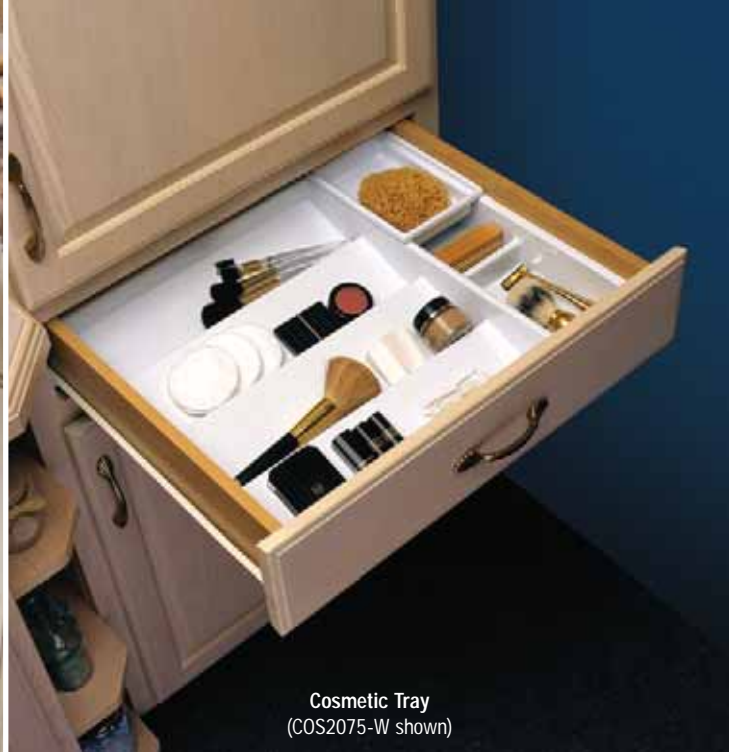


Tel. 800.253.1561  
Fax 877.636.3290  
www.kv.com

See page 45 for compartment information. See page 46 for minimum drawer dimensions.



Multipurpose Utility Tray  
(UT1217-W shown)

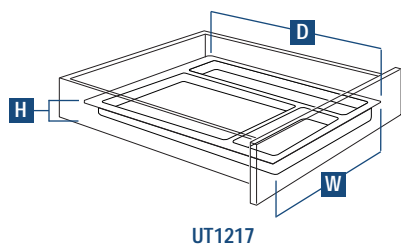


Cosmetic Tray  
(COS2075-W shown)

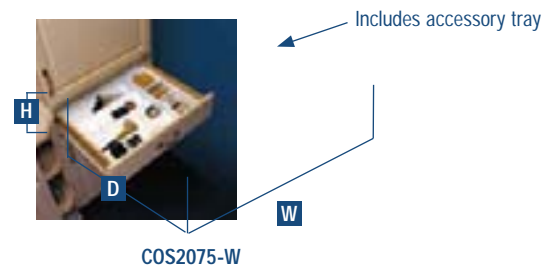
## Utility Trays

37

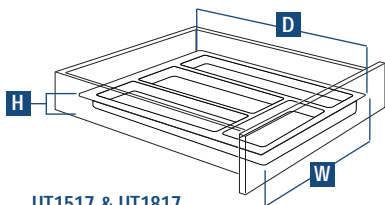
- Multipurpose Utility Trays neatly organize kitchen utensils, craft supplies, tools and more
- Cosmetic Trays organize cosmetics and small items into 5 easy-to-access rows and compartments
- Durable, high gloss white polystyrene cleans up easily and can be cut-to-fit



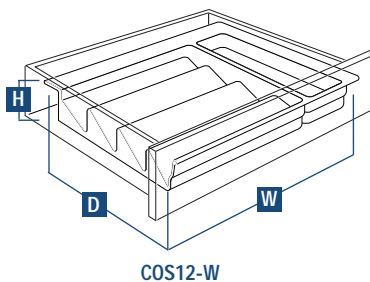
UT1217



COS2075-W



UT1517 & UT1817



COS12-W

Stock #	H Height	W Width	D Depth	Finish	Units per Carton	Weight per Carton
<b>MULTIPURPOSE UTILITY TRAYS</b>						
UT1217-W	2-3/16" [56 mm]	12-3/8" [314 mm] to 14-3/4" [375 mm]	17-3/8" [441 mm] to 21" [533 mm]	White	10	11.2 lbs. [5.1 kg.]
UT1517-W	2-3/16" [56 mm]	15-5/16" [389 mm] to 17-3/4" [451 mm]	17-5/16" [440 mm] to 21" [533 mm]	White	10	12.7 lbs. [5.8 kg.]
UT1817-W	2-3/16" [56 mm]	18-3/8" [467 mm] to 21-1/8" [537 mm]	17-5/16" [440 mm] to 21" [533 mm]	White	10	14.2 lbs. [6.4 kg.]
<b>COSMETIC TRAYS</b>						
COS2075-W	2-7/8" [73 mm]	5" [127 mm] to 21-1/2" [546 mm]	16-1/4" [413 mm] to 21" [533 mm]	White	1	2.5 lbs. [1.1 kg.]
COS12-W	2" [51 mm]	5" [127 mm] to 14-3/4" [375 mm]	12-1/2" [318 mm] to 20-1/2" [521 mm]	White	1	1.6 lbs. [0.7 kg.]

See page 45 for compartment information. See page 46 for minimum drawer dimensions.

Tel. 800.253.1561  
Fax 877.636.3290  
www.kv.com





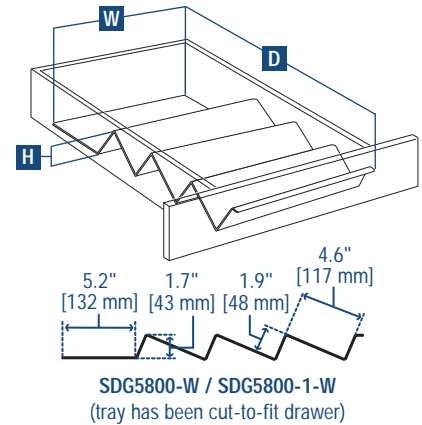
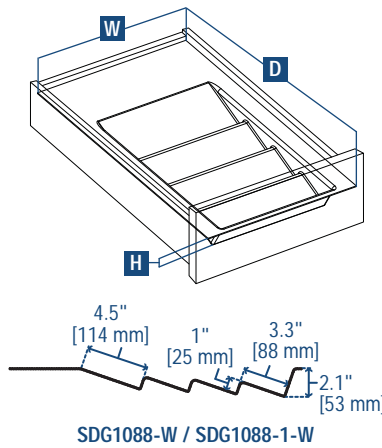
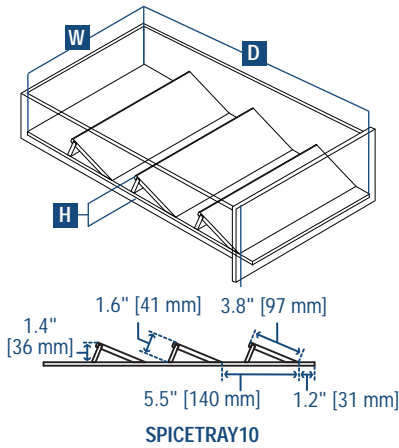
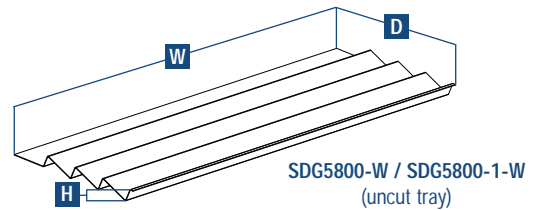
Wood Spice Tray  
(SPICETRAY10)



Polymer Spice Tray  
(SDG-1088-1-W)

## Spice Trays

- Organizes spices or small items into 4 neat rows
- Birch veneer finish on Wood Spice Trays complements most interior wood drawer finishes
- Durable, high gloss white Polymer Spice Trays clean up easily and can be cut-to-fit



Stock #	H Height	W Width	D Depth	Finish	Units per Carton	Weight per Carton
<b>WOOD SPICE TRAYS</b>						
SPICETRAY10	1-13/16" [46 mm]	10-1/8" [257 mm]	19-1/2" [495 mm]	Birch Veneer	1	2.8 lbs. [1.3 kg.]
SPICETRAY13	1-13/16" [46 mm]	13-1/8" [333 mm]	19-1/2" [495 mm]	Birch Veneer	1	3.8 lbs. [1.7 kg.]
SPICETRAY16	1-13/16" [46 mm]	16-1/8" [410 mm]	19-1/2" [495 mm]	Birch Veneer	1	4.2 lbs. [1.9 kg.]
SPICETRAY19	1-13/16" [46 mm]	19-1/8" [486 mm]	19-1/2" [495 mm]	Birch Veneer	1	5.1 lbs. [2.3 kg.]
<b>POLYMER SPICE TRAYS</b>						
SDG1088-1-W	2" [51 mm]	12-1/8" [308 mm] to 14-3/4" [375 mm]	16-1/4" [413 mm] to 21" [533 mm]	White	1	1.9 lbs. [0.9 kg.]
SDG1088-W	2" [51 mm]	12-1/8" [308 mm] to 14-3/4" [375 mm]	16-1/4" [413 mm] to 21" [533 mm]	White	10	8.6 lbs. [3.9 kg.]
SDG5800-1-W	1-5/8" [41 mm]	0" to 58" [1473 mm]	15-1/4" [387 mm] to 21-1/2" [546 mm]	White	1	5.4 lbs. [2.4 kg.]
SDG5800-W	1-5/8" [41 mm]	0" to 58" [1473 mm]	15-1/4" [387 mm] to 21-1/2" [546 mm]	White	10	30.5 lbs. [13.8 kg.]



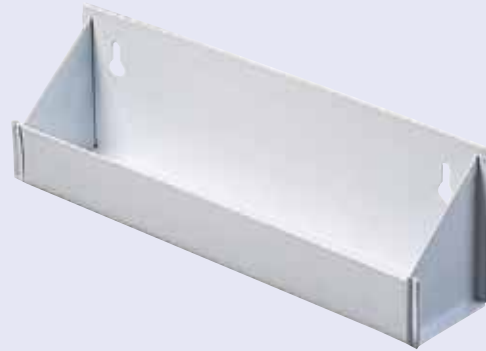
Tel. 800.253.1561  
Fax 877.636.3290  
www.kv.com

See page 46 for minimum drawer dimensions.





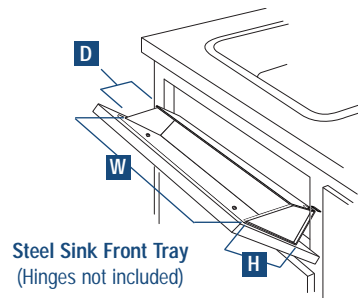
SF11  
(Hinges not included)



ESF10-W  
(Hinges not included)

## Steel Sink Front Trays

- 2" deep tray
- Designed for use with Scissor or Euro-Tray Hinges (Sold separately. See page 44.)
- White trays feature durable epoxy-coated finish
- For use with faceframe or frameless (Euro-style) cabinetry



Stock #	H Height	W Width	D Depth	Finish	Units per Carton	Weight per Carton
<b>STEEL SINK FRONT TRAYS (WITHOUT STOPS)</b>						
SF10	3" [76 mm]	10-1/16" [256 mm]	2" [51 mm]	Stainless Steel	10	4.7 lbs. [2.1 kg.]
SF11	3" [76 mm]	11-5/16" [287 mm]	2" [51 mm]	Stainless Steel	10	4.9 lbs. [2.2 kg.]
SF13	3" [76 mm]	13-1/16" [332 mm]	2" [51 mm]	Stainless Steel	10	5.6 lbs. [2.5 kg.]
SF14	3" [76 mm]	14" [356 mm]	2" [51 mm]	Stainless Steel	10	6.7 lbs. [3.0 kg.]
SF16	3" [76 mm]	16-1/16" [408 mm]	2" [51 mm]	Stainless Steel	10	7.1 lbs. [3.2 kg.]
SF19	3" [76 mm]	19-1/16" [484 mm]	2" [51 mm]	Stainless Steel	10	7.6 lbs. [3.4 kg.]
SF22	3" [76 mm]	22-1/16" [560 mm]	2" [51 mm]	Stainless Steel	10	8.9 lbs. [4.0 kg.]
SF25	3" [76 mm]	25-1/16" [637 mm]	2" [51 mm]	Stainless Steel	10	9.4 lbs. [4.2 kg.]
SF28	3" [76 mm]	28-1/16" [713 mm]	2" [51 mm]	Stainless Steel	10	10.4 lbs. [4.7 kg.]
SF31	3" [76 mm]	31-1/16" [789 mm]	2" [51 mm]	Stainless Steel	10	11.2 lbs. [5.0 kg.]
ESF10-W	3" [76 mm]	10-1/16" [256 mm]	2" [51 mm]	White	10	5.2 lbs. [2.4 kg.]
ESF13-W	3" [76 mm]	13-1/16" [332 mm]	2" [51 mm]	White	10	6.4 lbs. [2.9 kg.]
ESF14-W	3" [76 mm]	14" [356 mm]	2" [51 mm]	White	10	6.9 lbs. [3.2 kg.]
ESF16-W	3" [76 mm]	16-1/16" [408 mm]	2" [51 mm]	White	10	7.6 lbs. [3.4 kg.]
ESF19-W	3" [76 mm]	19-1/16" [484 mm]	2" [51 mm]	White	10	9.1 lbs. [4.1 kg.]
ESF22-W	3" [76 mm]	22-1/16" [560 mm]	2" [51 mm]	White	10	10.5 lbs. [4.8 kg.]
ESF25-W	3" [76 mm]	25-1/16" [637 mm]	2" [51 mm]	White	10	12 lbs. [5.4 kg.]
ESF28-W	3" [76 mm]	28-1/16" [713 mm]	2" [51 mm]	White	10	13 lbs. [5.9 kg.]
ESF31-W	3" [76 mm]	31-1/16" [789 mm]	2" [51 mm]	White	10	14.7 lbs. [6.7 kg.]

Uses 2 - #8 x 1/2 screws (not included).

See page 46 for minimum door dimensions.

Tel. 800.253.1561  
Fax 877.636.3290  
www.kv.com





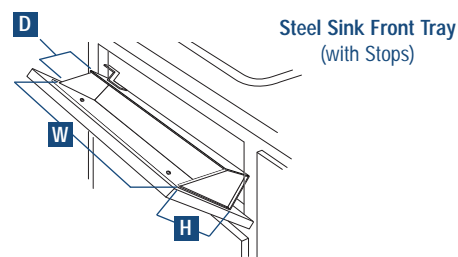
SF11W



ESF10W-W

## Steel Sink Front Trays (with stops)

- 1-5/8" built-in stop prevents items from tipping out
- Designed for use with standard self-closing hinges (not included) used on most cabinetry
- White trays feature durable epoxy-coated finish
- For use with faceframe or frameless (Euro-style) cabinetry



Stock #	H Height	W Width	D Depth	Finish	Units per Carton	Weight per Carton
<b>STEEL SINK FRONT TRAYS (WITH STOPS)</b>						
SF10W	3" [76 mm]	11-5/8" [295 mm]	3" [76 mm]	Stainless Steel	10	5 lbs. [2.3 kg.]
SF11W	3" [76 mm]	12-7/8" [327 mm]	3" [76 mm]	Stainless Steel	10	5.4 lbs. [2.4 kg.]
SF13W	3" [76 mm]	14-5/8" [371 mm]	3" [76 mm]	Stainless Steel	10	5.8 lbs. [2.6 kg.]
SF14W	3" [76 mm]	15-9/16" [395 mm]	3" [76 mm]	Stainless Steel	10	6.0 lbs. [2.7 kg.]
SF16W	3" [76 mm]	17-5/8" [448 mm]	3" [76 mm]	Stainless Steel	10	6.9 lbs. [3.1 kg.]
SF19W	3" [76 mm]	20-5/8" [524 mm]	3" [76 mm]	Stainless Steel	10	7.6 lbs. [3.4 kg.]
SF22W	3" [76 mm]	23-5/8" [600 mm]	3" [76 mm]	Stainless Steel	10	9.1 lbs. [4.1 kg.]
SF25W	3" [76 mm]	26-5/8" [676 mm]	3" [76 mm]	Stainless Steel	10	11.8 lbs. [5.4 kg.]
SF28W	3" [76 mm]	29-5/8" [752 mm]	3" [76 mm]	Stainless Steel	10	13.9 lbs. [6.3 kg.]
SF31W	3" [76 mm]	32-5/8" [829 mm]	3" [76 mm]	Stainless Steel	10	14.5 lbs. [6.6 kg.]
ESF10W-W	3" [76 mm]	11-5/8" [295 mm]	3" [76 mm]	White	10	6.2 lbs. [2.8 kg.]
ESF11W-W	3" [76 mm]	12-7/8" [327 mm]	3" [76 mm]	White	10	6.6 lbs. [3.0 kg.]
ESF13W-W	3" [76 mm]	14-5/8" [371 mm]	3" [76 mm]	White	10	7.2 lbs. [3.3 kg.]
ESF14W-W	3" [76 mm]	15-9/16" [395 mm]	3" [76 mm]	White	10	7.8 lbs. [3.5 kg.]
ESF16W-W	3" [76 mm]	17-5/8" [448 mm]	3" [76 mm]	White	10	8.2 lbs. [3.7 kg.]
ESF19W-W	3" [76 mm]	20-5/8" [524 mm]	3" [76 mm]	White	10	9.6 lbs. [4.4 kg.]
ESF22W-W	3" [76 mm]	23-5/8" [600 mm]	3" [76 mm]	White	10	11.1 lbs. [5 kg.]
ESF25W-W	3" [76 mm]	26-5/8" [676 mm]	3" [76 mm]	White	10	11.8 lbs. [5.4 kg.]
ESF28W-W	3" [76 mm]	29-5/8" [752 mm]	3" [76 mm]	White	10	13.9 lbs. [6.3 kg.]
ESF31W-W	3" [76 mm]	32-5/8" [829 mm]	3" [76 mm]	White	10	15 lbs. [6.8 kg.]

Uses 2 - #8 x 1/2 screws (not included).

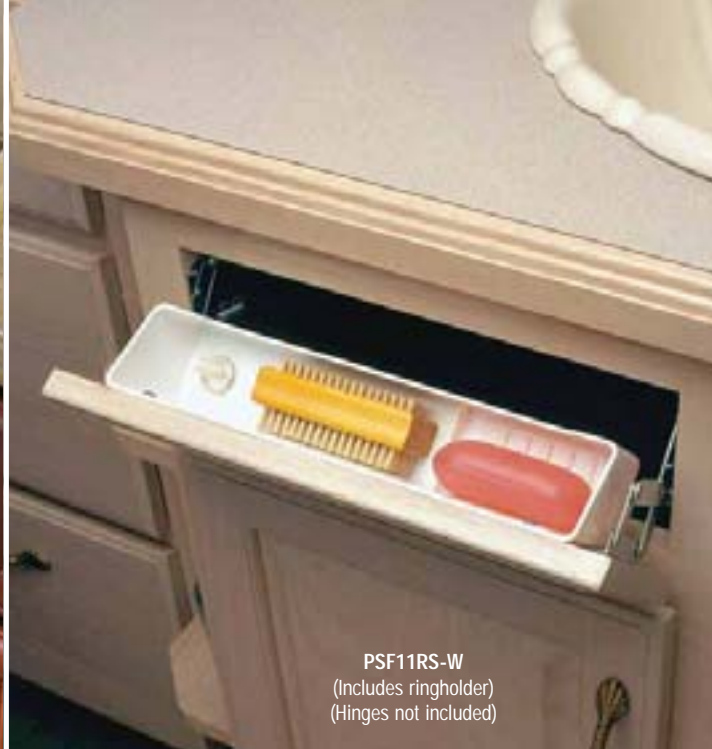


Tel. 800.253.1561  
Fax 877.636.3290  
www.kv.com

See page 46 for minimum door dimensions.



PSF11-W  
(Without ringholder)  
(Hinges not included)



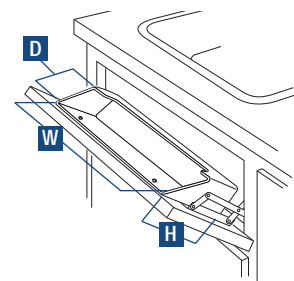
PSF11RS-W  
(Includes ringholder)  
(Hinges not included)

## Polymer Sink Front Trays

- 1-5/8" deep tray is ideal for solid surface countertops with large deep sink applications
- Designed for use with Scissor or Euro-Tray Hinges (Sold separately. See page 44.)
- For use with faceframe or frameless (Euro-style) cabinetry



PSF11RS-A  
(Includes ringholder. Hinges not included)



Polymer Sink Front Tray  
(Without ringholder. Hinges not included)

Stock #	H Height	W Width	D Depth	Finish	Ringholder	Units per Carton	Weight per Carton
<b>POLYMER SINK FRONT TRAYS</b>							
PSF8.62-W	3" [76 mm]	8-5/8" [219 mm]	2" [51 mm]	White	No	10	2.9 lbs. [1.3 kg.]
PSF11-PF-W	3" [76 mm]	11" [279 mm]	1-5/8" [41 mm]	White	No	10	3.3 lbs. [1.5 kg.]
PSF11-W	3" [76 mm]	11" [279 mm]	2" [51 mm]	White	No	10	3 lbs. [1.4 kg.]
PSF11RS-W	3" [76 mm]	11" [279 mm]	2" [51 mm]	White	Yes	10	3.1 lbs. [1.4 kg.]
PSF14-PF-W	3" [76 mm]	14" [356 mm]	1-5/8" [41 mm]	White	No	10	3.6 lbs. [1.6 kg.]
PSF14-W	3" [76 mm]	14" [356 mm]	2" [51 mm]	White	No	10	3.5 lbs. [1.5 kg.]
PSF14RS-W	3" [76 mm]	14" [356 mm]	2" [51 mm]	White	Yes	10	3.6 lbs. [1.6 kg.]
PSF2425-W	3" [76 mm]	24-3/8" [619 mm]	2" [51 mm]	White	No	10	6.2 lbs. [2.8 kg.]
PSF3025-W	3" [76 mm]	30-7/16" [773 mm]	2" [51 mm]	White	No	10	7.2 lbs. [3.3 kg.]
PSF11-A	3" [76 mm]	11" [279 mm]	2" [51 mm]	Almond	No	10	3.0 lbs. [1.3 kg.]
PSF11RS-A	3" [76 mm]	11" [279 mm]	2" [51 mm]	Almond	Yes	10	3.1 lbs. [1.4 kg.]
PSF14-PF-A	3" [76 mm]	14" [356 mm]	1-5/8" [41 mm]	Almond	No	10	3.6 lbs. [1.6 kg.]
PSF14-A	3" [76 mm]	14" [356 mm]	2" [51 mm]	Almond	No	10	3.5 lbs. [1.5 kg.]
PSF14RS-A	3" [76 mm]	14" [356 mm]	2" [51 mm]	Almond	Yes	10	3.6 lbs. [1.6 kg.]
PSF2425-A	3" [76 mm]	24-3/8" [619 mm]	2" [51 mm]	Almond	No	10	6.2 lbs. [2.8 kg.]
PSF3025-A	3" [76 mm]	30-7/16" [773 mm]	2" [51 mm]	Almond	No	10	7.2 lbs. [3.3 kg.]

Uses 2 - #8 x 1/2 screws (not included).

See page 47 for minimum door dimensions.

Tel. 800.253.1561  
Fax 877.636.3290  
www.kv.com





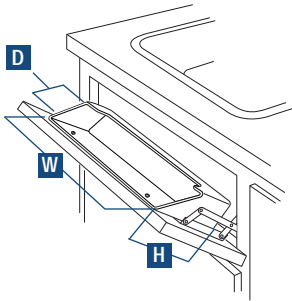
PSF11SH-2-W  
(Hinges included)



PSF14SH-2-W  
(Hinges included)

## Polymer Sink Front Trays & Hinge Kits

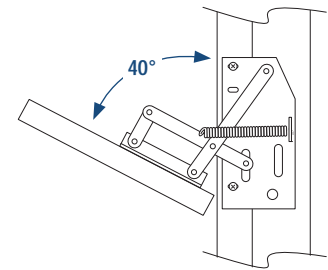
- 1-5/8" deep tray is ideal for solid surface countertops with large deep sink applications
- For use with faceframe or frameless (Euro-style) cabinetry
- Two trays, two pairs of Scissor Hinges (SH-10) with hardware and instructions included



Polymer Sink Front Tray & Hinge Kit



Kits include 2 pairs of  
Scissor Hinges (SH-10)



Scissor Hinge  
(SH-10)

Stock #	H Height	W Width	D Depth	Finish	Units per Carton	Weight per Carton
<b>POLYMER SINK FRONT TRAYS &amp; HINGE KITS</b>						
PSF8.62SH-2-W	3" [76 mm]	8-5/8" [219 mm]	2" [51 mm]	White	2	1.1 lbs. [0.5 kg.]
PSF11-PF-SH-2-W	3" [76 mm]	11" [279 mm]	1-5/8" [41 mm]	White	2	1.6 lbs. [0.7 kg.]
PSF11SH-2-W	3" [76 mm]	11" [279 mm]	2" [51 mm]	White	2	1.8 lbs. [0.8 kg.]
PSF14-PF-SH-2-W	3" [76 mm]	14" [356 mm]	1-5/8" [41 mm]	White	2	2.0 lbs. [0.9 kg.]
PSF14SH-2-W	3" [76 mm]	14" [356 mm]	2" [51 mm]	White	2	2.2 lbs. [1.0 kg.]

Tray uses 2 - #8 x 1/2 screws (not included).

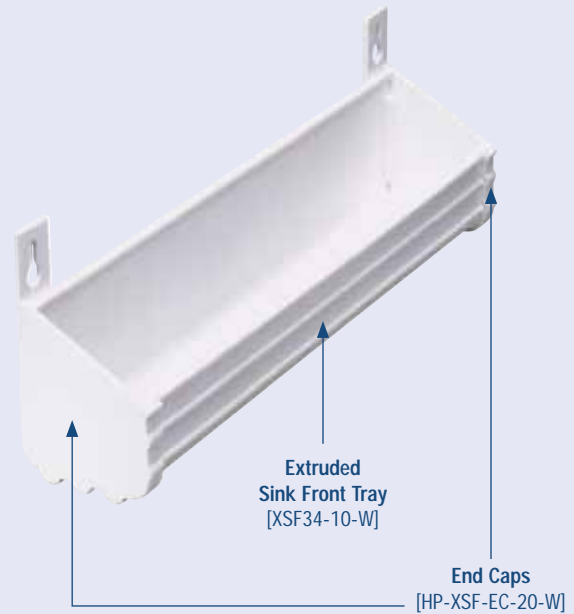


Tel. 800.253.1561  
Fax 877.636.3290  
www.kv.com

See page 47 for minimum door dimensions.



PSF11W-W



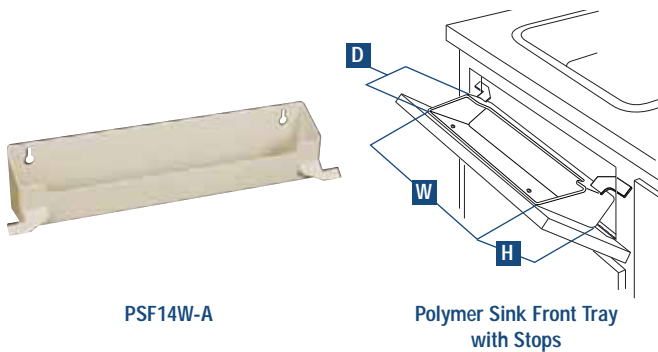
## Polymer Sink Front Trays (with stops)

- Designed for use with standard self-closing hinges (not included) used on most cabinetry
- For use with faceframe or frameless (Euro-style) cabinetry
- Built-in stop prevents items from tipping out

## Extruded Sink Front Trays

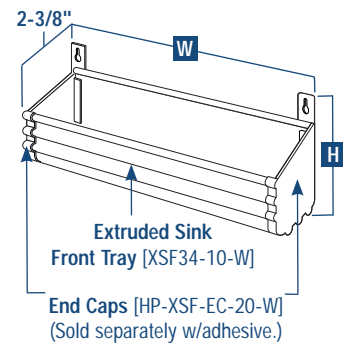
43

- Extruded Sink Front Tray (cut-to-fit 34" or 72" widths):
  - For faceframe or frameless (Euro-style) cabinetry
  - Use with Scissor or Euro-Tray Hinges (see page 44)
  - Easy-to-clean, durable white PVC



PSF14W-A

Polymer Sink Front Tray with Stops



Extruded Sink Front Tray [XSF34-10-W]  
End Caps [HP-XSF-EC-20-W]  
(Sold separately w/adhesive.)

Stock #	H Height	W Width	D Depth	Finish	Units per Carton	Weight per Carton
<b>POLYMER SINK FRONT TRAY WITH STOPS*</b>						
PSF11W-W	3" [76 mm]	12-3/8" [314 mm]	2-3/4" [70 mm]	White	10	3.3 lbs. [1.5 kg.]
PSF14W-W	3" [76 mm]	15-3/8" [391 mm]	2-3/4" [70 mm]	White	10	3.6 lbs. [1.6 kg.]
PSF14W-A	3" [76 mm]	15-3/8" [391 mm]	2-3/4" [70 mm]	Almond	10	3.6 lbs. [1.6 kg.]
<b>EXTRUDED SINK FRONT TRAYS* &amp; END CAPS</b>						
XSF34-10-W	4" [102 mm]	33-3/4" [857 mm]	2-1/8" [60 mm]	White	10	6.9 lbs. [3.1 kg.]
XSF72-10-W	4" [102 mm]	72" [1829 mm]	2-1/8" [60 mm]	White	10	15.7 lbs. [7.1 kg.]
HP-XSF-EC-20-W	4" [102 mm]	3/4" [19 mm]	2-3/8" [60 mm]	White	20 pairs	2.2 lbs. [1 kg.]

\*Trays use 2 - #8 x 1/2 screws (not included).

See page 47 for minimum door dimensions.

Tel. 800.253.1561  
Fax 877.636.3290  
www.kv.com





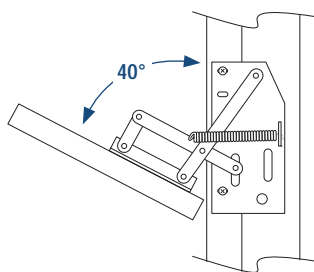
Scissor Hinge  
(SH-10)



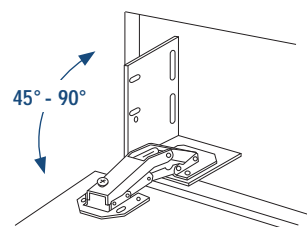
Euro-Tray Hinge  
(ET-H-N)

## Scissor & Euro-Tray Hinges

- Scissor Hinges are spring-loaded and self-closing with internal stop
- For use with faceframe or frameless (Euro-style) cabinetry
- Mounting hardware and instructions included



Scissor Hinge  
(SH-10)



Euro-Tray Hinge  
(ET-H-N)

Stock #	H Height	W Width	D Depth	Finish	Units per Carton	Weight per Carton
<b>SCISSOR HINGES</b>						
SH-1-S/P	3-13/16" [97 mm]	2-7/8" [73 mm]	1-7/8" [48 mm]	Nickel-Plated	1 pair	1 lbs. [0.5 kg.]
SH-10	3-13/16" [97 mm]	2-7/8" [73 mm]	1-7/8" [48 mm]	Nickel-Plated	10 pair	5.1 lbs. [2.3 kg.]
SH-40	3-13/16" [97 mm]	2-7/8" [73 mm]	1-7/8" [48 mm]	Nickel-Plated	40 pair	20 lbs. [9.1 kg.]
<b>EURO-TRAY HINGES</b>						
ET-H-N	2-7/8" [73 mm]	3-3/4" [95 mm]	2-1/4" [57 mm]	Nickel-Plated	10 pair	6.4 lbs. [2.9 kg.]

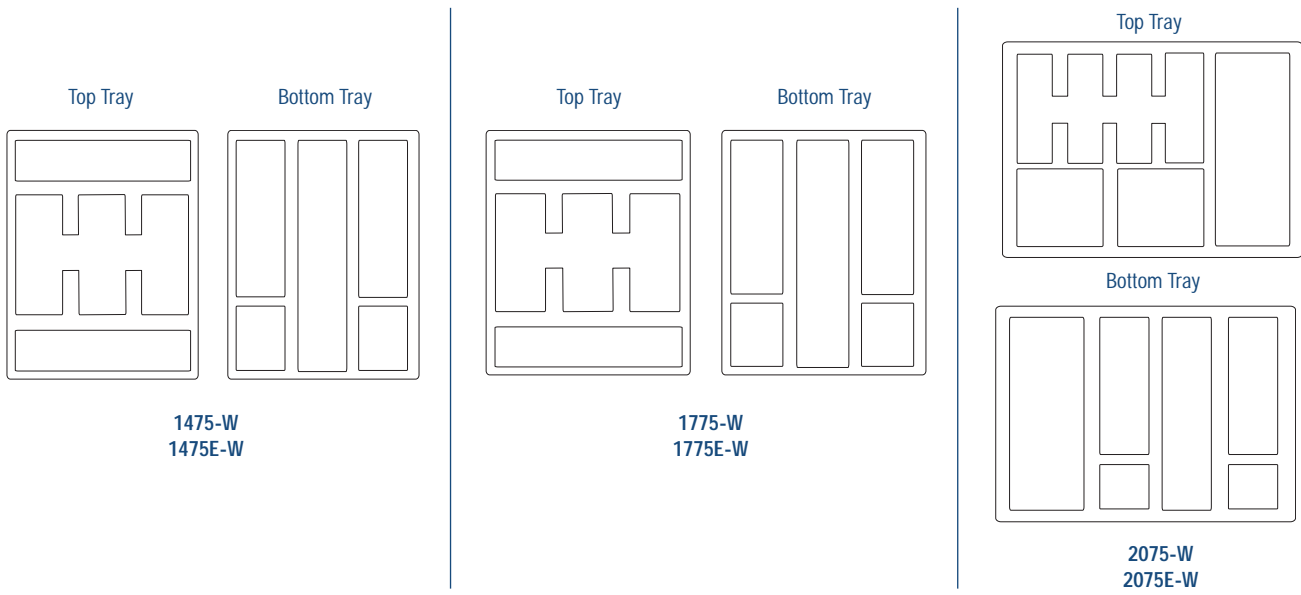


Tel. 800.253.1561  
Fax 877.636.3290  
www.kv.com

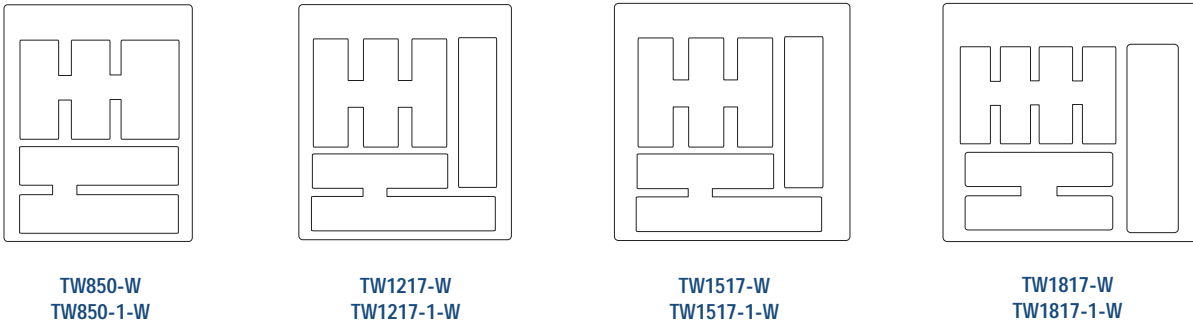
See page 47 for minimum door dimensions.

# Drawer Insert Diagrams

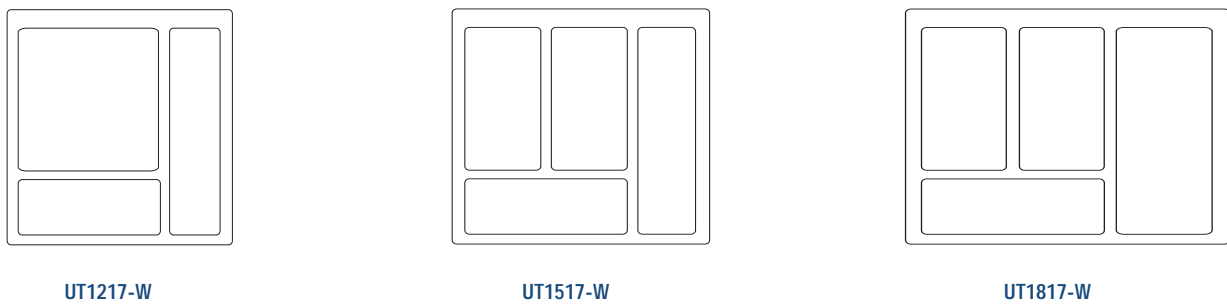
## DOUBLE-TIERED TABLEWARE TRAYS



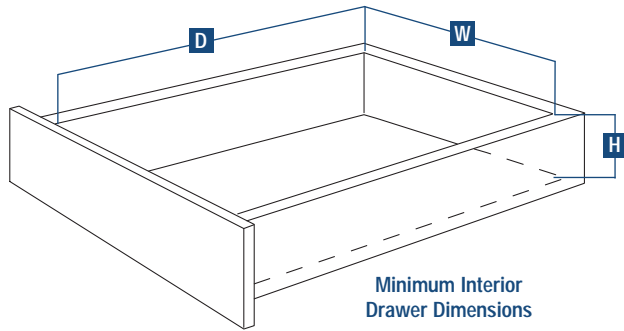
## SINGLE-TIERED TABLEWARE TRAYS



## MULTI-PURPOSE UTILITY TRAYS



# Cabinet Dimensions



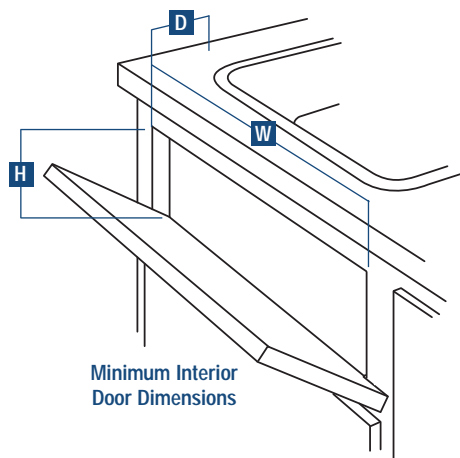
Stock #	H Height	W Width	D Depth
<b>DOUBLE-TIERED TABLEWARE TRAYS (with removable top tray)</b>			
1475-W	3-3/4" [95 mm]	12-1/4" [311 mm]	17-1/4" [438 mm]
1775-W	3-3/4" [95 mm]	15-1/4" [387 mm]	17-1/4" [438 mm]
2075-W	3-3/4" [95 mm]	18-1/4" [464 mm]	17-1/4" [438 mm]
<b>ECONOMY DOUBLE-TIERED TABLEWARE TRAYS</b>			
1475E-W	3-1/2" [89 mm]	12-1/4" [311 mm]	17-1/4" [438 mm]
1775E-W	3-1/2" [89 mm]	15-1/4" [387 mm]	17-1/4" [438 mm]
2075E-W	3-1/2" [89 mm]	18-1/4" [464 mm]	17-1/4" [438 mm]
<b>SINGLE-TIERED TABLEWARE TRAYS</b>			
TW850-W	2-7/16" [62 mm]	8-3/4" [222 mm]	17-5/16" [440 mm]
TW1217-W	2-3/8" [60 mm]	12-3/8" [314 mm]	17-5/16" [440 mm]
TW1517-W	2-3/8" [60 mm]	15-5/16" [389 mm]	17-5/16" [440 mm]
TW1817-W	2-3/8" [60 mm]	18-3/8" [467 mm]	17-3/8" [441 mm]
TW850-1-W	2-7/16" [62 mm]	8-3/4" [222 mm]	17-5/16" [440 mm]
TW1217-1-W	2-3/8" [60 mm]	12-3/8" [314 mm]	17-5/16" [440 mm]
TW1517-1-W	2-3/8" [60 mm]	15-5/16" [389 mm]	17-5/16" [440 mm]
TW1817-1-W	2-3/8" [60 mm]	18-3/8" [467 mm]	17-3/8" [441 mm]
<b>MULTIPURPOSE UTILITY TRAYS</b>			
UT1217-W	2-7/16" [62 mm]	12-3/8" [314 mm]	17-3/8" [441 mm]
UT1517-W	2-7/16" [62 mm]	15-5/16" [389 mm]	17-5/16" [440 mm]
UT1817-W	2-7/16" [62 mm]	18-3/8" [467 mm]	17-5/16" [440 mm]
<b>COSMETIC DRAWER TRAYS</b>			
COS2075-W	3-1/8" [79 mm]	5" [127 mm]	16-1/4" [413 mm]
COS12-W	2-1/4" [57 mm]	5" [127 mm]	12-1/2" [318 mm]
<b>WOOD SPICE TRAYS</b>			
SPICETRAY10	2-1/16" [52 mm]	10-1/4" [260 mm]	19-5/8" [498 mm]
SPICETRAY13	2-1/16" [52 mm]	13-1/4" [337 mm]	19-5/8" [498 mm]
SPICETRAY16	2-1/16" [52 mm]	16-1/4" [413 mm]	19-5/8" [498 mm]
SPICETRAY19	2-1/16" [52 mm]	19-1/4" [489 mm]	19-5/8" [498 mm]
<b>POLYMER SPICE TRAYS</b>			
SDG1088-1-W	2-1/4" [57 mm]	12-1/8" [308 mm]	16-1/4" [413 mm]
SDG1088-W	2-1/4" [57 mm]	12-1/8" [308 mm]	16-1/4" [413 mm]
SDG5800-1-W	1-7/8" [48 mm]	-	15-1/4" [387 mm]
SDG5800-W	1-7/8" [48 mm]	-	15-1/4" [387 mm]

Stock #	H Height	W Width	D Depth
<b>STEEL SINK FRONT TRAYS (without stops)</b>			
SF10	3-1/2" [89 mm]	10-9/16" [268 mm]	2-1/2" [64 mm]
SF11	3-1/2" [89 mm]	11-13/16" [300 mm]	2-1/2" [64 mm]
SF13	3-1/2" [89 mm]	13-9/16" [344 mm]	2-1/2" [64 mm]
SF14	3-1/2" [89 mm]	14-1/2" [368 mm]	2-1/2" [64 mm]
SF16	3-1/2" [89 mm]	16-9/16" [421 mm]	2-1/2" [64 mm]
SF19	3-1/2" [89 mm]	19-9/16" [497 mm]	2-1/2" [64 mm]
SF22	3-1/2" [89 mm]	22-9/16" [573 mm]	2-1/2" [64 mm]
SF25	3-1/2" [89 mm]	25-9/16" [649 mm]	2-1/2" [64 mm]
SF28	3-1/2" [89 mm]	28-9/16" [725 mm]	2-1/2" [64 mm]
SF31	3-1/2" [89 mm]	31-9/16" [802 mm]	2-1/2" [64 mm]
ESF10-W	3-1/2" [89 mm]	10-9/16" [268 mm]	2-1/2" [64 mm]
ESF13-W	3-1/2" [89 mm]	13-9/16" [344 mm]	2-1/2" [64 mm]
ESF14-W	3-1/2" [89 mm]	14-1/2" [368 mm]	2-1/2" [64 mm]
ESF16-W	3-1/2" [89 mm]	16-9/16" [421 mm]	2-1/2" [64 mm]
ESF19-W	3-1/2" [89 mm]	19-9/16" [497 mm]	2-1/2" [64 mm]
ESF22-W	3-1/2" [89 mm]	22-9/16" [573 mm]	2-1/2" [64 mm]
ESF25-W	3-1/2" [89 mm]	25-9/16" [649 mm]	2-1/2" [64 mm]
ESF28-W	3-1/2" [89 mm]	28-9/16" [725 mm]	2-1/2" [64 mm]
ESF31-W	3-1/2" [89 mm]	31-9/16" [802 mm]	2-1/2" [64 mm]
<b>STEEL SINK FRONT TRAYS (with stops)</b>			
SF10W	3-1/2" [89 mm]	12-1/8" [308 mm]	3-1/2" [89 mm]
SF11W	3-1/2" [89 mm]	13-3/8" [340 mm]	3-1/2" [89 mm]
SF13W	3-1/2" [89 mm]	15-1/8" [384 mm]	3-1/2" [89 mm]
SF14W	3-1/2" [89 mm]	16-1/16" [408 mm]	3-1/2" [89 mm]
SF16W	3-1/2" [89 mm]	18-1/8" [460 mm]	3-1/2" [89 mm]
SF19W	3-1/2" [89 mm]	21-1/8" [537 mm]	3-1/2" [89 mm]
SF22W	3-1/2" [89 mm]	24-1/8" [613 mm]	3-1/2" [89 mm]
SF25W	3-1/2" [89 mm]	27-1/8" [689 mm]	3-1/2" [89 mm]
SF28W	3-1/2" [89 mm]	30-1/8" [765 mm]	3-1/2" [89 mm]
SF31W	3-1/2" [89 mm]	33-1/8" [841 mm]	3-1/2" [89 mm]
ESF10W-W	3-1/2" [89 mm]	12-1/8" [308 mm]	3-1/2" [89 mm]
ESF11W-W	3-1/2" [89 mm]	13-3/8" [340 mm]	3-1/2" [89 mm]
ESF13W-W	3-1/2" [89 mm]	15-1/8" [384 mm]	3-1/2" [89 mm]
ESF14W-W	3-1/2" [89 mm]	16-1/16" [408 mm]	3-1/2" [89 mm]
ESF16W-W	3-1/2" [89 mm]	18-1/8" [460 mm]	3-1/2" [89 mm]
ESF19W-W	3-1/2" [89 mm]	21-1/8" [537 mm]	3-1/2" [89 mm]
ESF22W-W	3-1/2" [89 mm]	24-1/8" [613 mm]	3-1/2" [89 mm]
ESF25W-W	3-1/2" [89 mm]	27-1/8" [689 mm]	3-1/2" [89 mm]
ESF28W-W	3-1/2" [89 mm]	30-1/8" [765 mm]	3-1/2" [89 mm]
ESF31W-W	3-1/2" [89 mm]	33-1/8" [841 mm]	3-1/2" [89 mm]

Dimensions shown are recommended minimum interior drawer and door opening dimensions.  
Minimum interior drawer dimensions allow for 1/8" clearance and 3/8" lip on all sides of drawer inserts.







**Stock #**      **H** Height      **W** Width      **D** Depth  
**POLYMER SINK FRONT TRAYS & HINGE KITS (dimensions include hinge kits)**

PSF8.62SH-2-A	3-1/2" [89 mm]	10-1/8" [257 mm]	2-1/2" [64 mm]
PSF8.62SH-2-W	3-1/2" [89 mm]	10-1/8" [257 mm]	2-1/2" [64 mm]
PSF11-PF-SH-2-A	3-1/2" [89 mm]	12-1/2" [318 mm]	2-1/8" [54 mm]
PSF11-PF-SH-2-W	3-1/2" [89 mm]	12-1/2" [318 mm]	2-1/8" [54 mm]
PSF11SH-2-A	3-1/2" [89 mm]	12-1/2" [318 mm]	2-1/2" [64 mm]
PSF11SH-2-W	3-1/2" [89 mm]	12-1/2" [318 mm]	2-1/2" [64 mm]
PSF14-PF-SH-2-A	3-1/2" [89 mm]	15-1/2" [394 mm]	2-1/8" [54 mm]
PSF14-PF-SH-2-W	3-1/2" [89 mm]	15-1/2" [394 mm]	2-1/8" [54 mm]
PSF14SH-2-A	3-1/2" [89 mm]	15-1/2" [394 mm]	2-1/2" [64 mm]
PSF14SH-2-W	3-1/2" [89 mm]	15-1/2" [394 mm]	2-1/2" [64 mm]

**POLYMER SINK FRONT TRAYS (with stops)**

PSF11W-W	3-1/2" [89 mm]	11-1/2" [292 mm]	3-1/4" [83 mm]
PSF14W-A	3-1/2" [89 mm]	14-1/2" [368 mm]	3-1/4" [83 mm]
PSF14W-W	3-1/2" [89 mm]	14-1/2" [368 mm]	3-1/4" [83 mm]

**SCISSOR HINGES**

SH-1-S/P	4-1/16" [103 mm]	3-1/8" [79 mm]	2-3/8" [60 mm]
SH-10	4-1/16" [103 mm]	3-1/8" [79 mm]	2-3/8" [60 mm]
SH-40	4-1/16" [103 mm]	3-1/8" [79 mm]	2-3/8" [60 mm]

**EURO-TRAY HINGES**

ET-H-N	3-1/8" [79 mm]	4" [102 mm]	2-3/4" [70 mm]
--------	----------------	-------------	----------------

Stock #	H Height	W Width (with Scissor Hinges)	W Width (with Euro-Tray Hinges)	D Depth
<b>POLYMER SINK FRONT TRAYS</b>				
PSF8.62-A	3-1/2" [89 mm]	10-1/8" [257 mm]	12-7/8" [327 mm]	2-1/2" [64 mm]
PSF8.62-W	3-1/2" [89 mm]	10-1/8" [257 mm]	12-7/8" [327 mm]	2-1/2" [64 mm]
PSF11-A	3-1/2" [89 mm]	12-1/2" [318 mm]	15-1/4" [387 mm]	2-1/2" [64 mm]
PSF11-PF-A	3-1/2" [89 mm]	12-1/2" [318 mm]	15-1/4" [387 mm]	2-1/8" [54 mm]
PSF11-PF-W	3-1/2" [89 mm]	12-1/2" [318 mm]	15-1/4" [387 mm]	2-1/8" [54 mm]
PSF11-W	3-1/2" [89 mm]	12-1/2" [318 mm]	15-1/4" [387 mm]	2-1/2" [64 mm]
PSF11RS-A	3-1/2" [89 mm]	12-1/2" [318 mm]	15-1/4" [387 mm]	2-1/2" [64 mm]
PSF11RS-W	3-1/2" [89 mm]	12-1/2" [318 mm]	15-1/4" [387 mm]	2-1/2" [64 mm]
PSF14-A	3-1/2" [89 mm]	15-1/2" [394 mm]	18-1/4" [464 mm]	2-1/2" [64 mm]
PSF14-PF-A	3-1/2" [89 mm]	15-1/2" [394 mm]	18-1/4" [464 mm]	2-1/8" [54 mm]
PSF14-PF-W	3-1/2" [89 mm]	15-1/2" [394 mm]	18-1/4" [464 mm]	2-1/8" [54 mm]
PSF14-W	3-1/2" [89 mm]	15-1/2" [394 mm]	18-1/4" [464 mm]	2-1/2" [64 mm]
PSF14RS-A	3-1/2" [89 mm]	15-1/2" [394 mm]	18-1/4" [464 mm]	2-1/2" [64 mm]
PSF14RS-W	3-1/2" [89 mm]	15-1/2" [394 mm]	18-1/4" [464 mm]	2-1/2" [64 mm]
PSF2425-A	3-1/2" [89 mm]	25-7/8" [657 mm]	28-5/8" [727 mm]	2-1/2" [64 mm]
PSF2425-W	3-1/2" [89 mm]	25-7/8" [657 mm]	28-5/8" [727 mm]	2-1/2" [64 mm]
PSF3025-A	3-1/2" [89 mm]	31-15/16" [811 mm]	34-11/16" [881 mm]	2-1/2" [64 mm]
PSF3025-W	3-1/2" [89 mm]	31-15/16" [811 mm]	34-11/16" [881 mm]	2-1/2" [64 mm]
<b>EXTRUDED SINK FRONT TRAYS (dimensions include HP-XSF-EC-20-W End Caps)</b>				
XSF34-10-W	4-1/2" [114 mm]	35-1/2" [902 mm]	38-1/4" [972 mm]	2-7/8" [114 mm]
XSF72-10-W	4-1/2" [114 mm]	73-3/4" [1873 mm]	76-1/2" [1943 mm]	2-7/8" [114 mm]

Dimensions shown are recommended minimum door opening dimensions.



# Pull-Out Systems

48



50 Wood & Wire



54 Wire

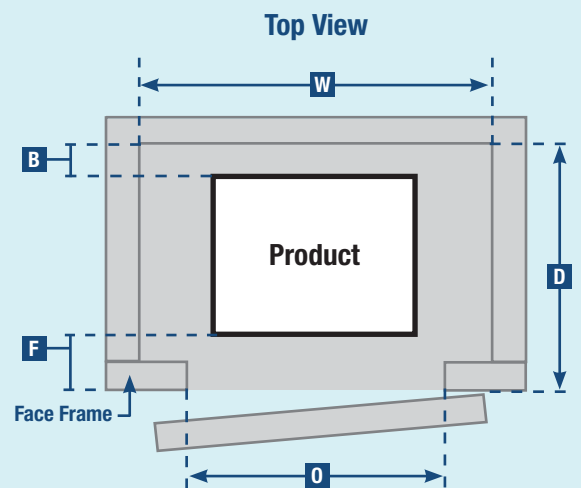




59 Specialty



62 Cabinet Dimensions





PAN1700TM-FN  
(extended)



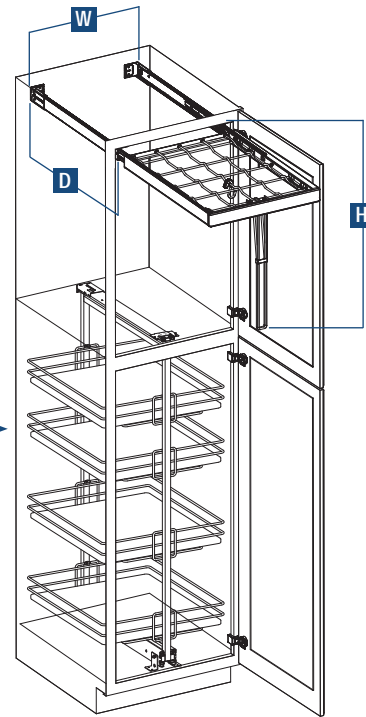
PAN1700TM-FN

**NEW!** Pot & Pan Pantry Organizer

- Mounted to KV® precision ball bearing slides
- Heavy gauge wire frames
- Handle allows for easy opening and closing of unit
-  NEW KV eco-friendly Frosted Nickel finish
- A perfect complement to any Frosted Nickel Pantry Roll-Out (see pages 51 and 55)
- Six movable hooks (included) have rubber grips that reduce pan sway and allow pot and pan storage to be customized.



Center-Mount Pantry Roll-Out & Baskets (see opposite page)



PAN1700TM-FN  
(shown in upper cabinet)

Stock #	Sliding Assembly			Overall Product Dimensions			Finish	Units per Carton	Weight per Carton
	S	Width	H	Height	W	Width			
<b>POT &amp; PAN PANTRY ORGANIZER</b>									
PAN1700TM-FN		11-1/4" [286 mm]	19-3/8" [492 mm]	17-3/4" [451 mm]	23-5/8" to 24-5/8" [600 - 625 mm]		Frosted Nickel/Birch	1	14 lbs. [6.4 kg.]



Tel. 800.253.1561  
Fax 877.636.3290  
www.kv.com

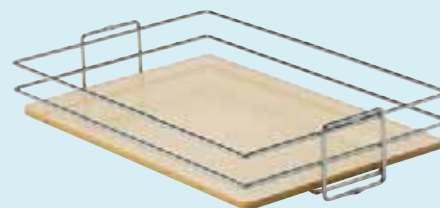
See page 62 - 63 for recommended cabinet dimensions and clearances.



P5450CM-FN with BP20CM-FNW




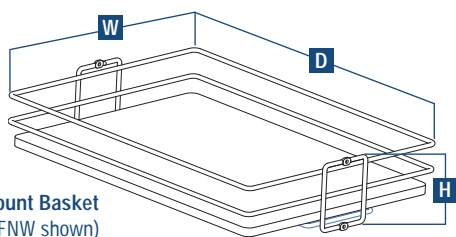
P2500CM-FN with BP20CM-FNW



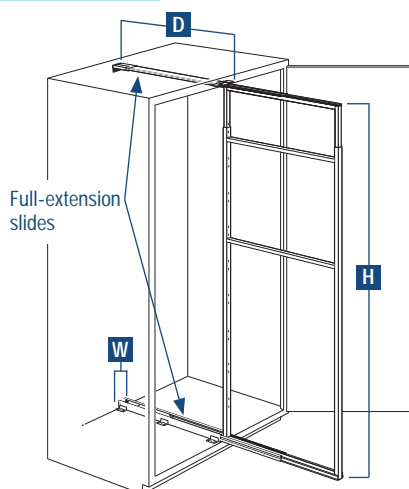
Center-Mount Basket  
(BP14CM-FNW)

## Center-Mount Pantry Roll-Out & Baskets

- Mounted to KV® precision ball bearing slides
-  NEW KV eco-friendly Frosted Nickel finish
- Center-Mount Baskets (sold separately) mount with four screws (included)
- Basket height can be varied in 3-3/4" increments
- Basket platforms are 1/2" thick Birch veneer with a UV-cured clear coat finish



Center-Mount Basket  
(BP14CM-FNW shown)



Center-Mount Pantry Roll-Out  
(P4650CM-FN shown)

Stock #	Individual Product Dimensions			Platform [Wire/Platform]	Units per Carton	Weight per Carton
	H Height	W Width	D Depth			
<b>CENTER-MOUNT PANTRY ROLL-OUTS</b>						
P1875CM-FN	18-3/4-22-1/2" [476-572 mm]	3-13/16" [97 mm]	22-1/4" [565 mm]	Frosted Nickel/Birch	1	12.6 lb.s [5.7 kg.]
P2500CM-FN	25-28-1/2" [572-660 mm]	3-13/16" [97 mm]	22-1/4" [565 mm]	Frosted Nickel/Birch	1	13.5 lb.s [6.1 kg.]
P4250CM-FN	42-1/2-49-3/8" [1080-1254 mm]	3-13/16" [97 mm]	22-1/4" [565 mm]	Frosted Nickel/Birch	1	15.6 lb.s [7.1 kg.]
P4650CM-FN	46-1/2-53-3/8" [1181-1356 mm]	3-13/16" [97 mm]	22-1/4" [565 mm]	Frosted Nickel/Birch	1	15.9 lb.s [7.2 kg.]
P5450CM-FN	54-1/2-61-3/8" [1384-1559 mm]	3-13/16" [97 mm]	22-1/4" [565 mm]	Frosted Nickel/Birch	1	17 lb.s [7.7 kg.]
<b>CENTER-MOUNT BASKETS</b>						
BP5CM-FNW	4-1/8" [105 mm]	5" [127 mm]	20-7/16" [519 mm]	Frosted Nickel/Birch	2	6.3 lb.s [2.9 kg.]
BP8CM-FNW	4-1/8" [105 mm]	8" [203 mm]	20-7/16" [519 mm]	Frosted Nickel/Birch	2	8.8 lb.s [4.0 kg.]
BP11CM-FNW	4-1/8" [105 mm]	11" [279 mm]	20-7/16" [519 mm]	Frosted Nickel/Birch	2	12.1 lb.s [5.5 kg.]
BP14CM-FNW	4-1/8" [105 mm]	14" [356 mm]	20-7/16" [519 mm]	Frosted Nickel/Birch	2	13.5 lb.s [6.1 kg.]
BP17CM-FNW	4-1/8" [105 mm]	17" [432 mm]	20-7/16" [519 mm]	Frosted Nickel/Birch	2	16 lb.s [7.3 kg.]
BP20CM-FNW	4-1/8" [105 mm]	20" [508 mm]	20-7/16" [519 mm]	Frosted Nickel/Birch	2	17.4 lb.s [7.9 kg.]

Sliding assembly width is the same as widest basket width. Load capacity not to exceed 100 lbs.

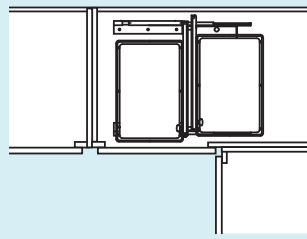
See page 62 - 63 for recommended cabinet dimensions and clearances.

Tel. 800.253.1561  
Fax 877.636.3290  
www.kv.com

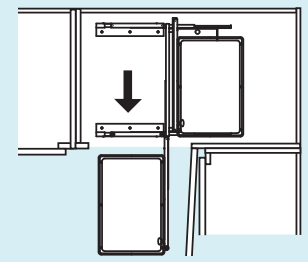




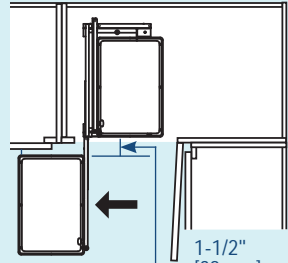
BBCS-R-15-FN  
(for RIGHT blind corner cabinet)



Position 1 (closed)

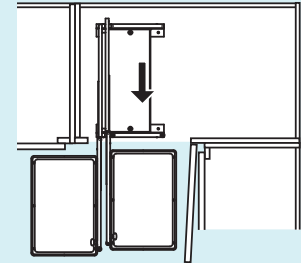


Position 2




Position 3

1-1/2"  
[38 mm]  
Clearance  
for Adjacent  
Cabinet Door

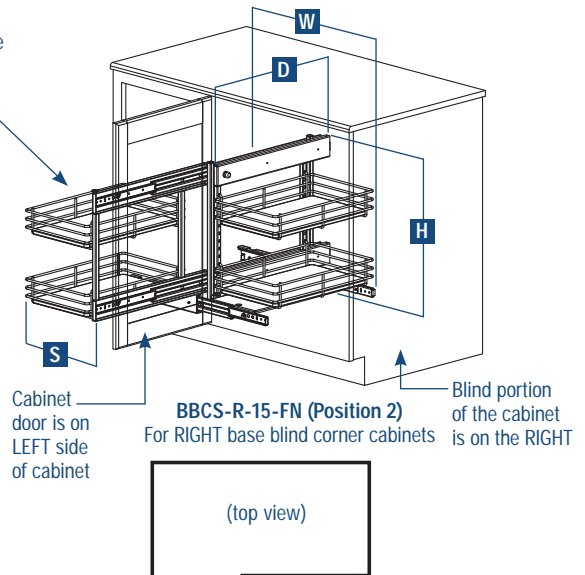
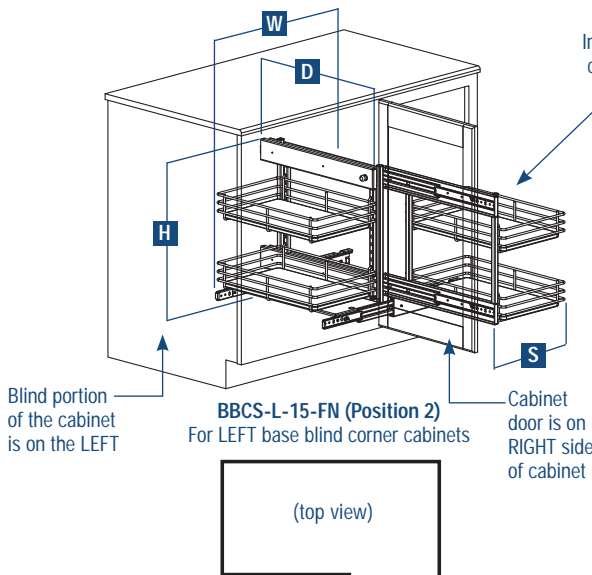


Position 4 (fully open)

## Slide-Out Base Blind Corner Unit

-  NEW KV eco-friendly Frosted Nickel finish
- Provides easy access to hard-to-reach blind corners

- Opens by manually pulling each half of the unit out of cabinet in three easy steps
- KV® heavy-duty precision ball bearing slides



Stock #	Sliding Assembly		Assembled Product Dimensions			Finish	Units per Carton	Weight per Carton			
	S	Width	H	Height	W				Width	D	Depth
<b>SLIDE-OUT BASE BLIND CORNER UNITS</b>											
<b>LEFT Blind Corner Units</b>											
BBCS-L-15-FN	14"	[356 mm]	19-3/4"	[502 mm]	26-3/16"	[665 mm]	22-3/16"	[564 mm]	Frosted Nickel/Wood	1	63.9 lb.s [29 kg.]
BBCT-L-15-FN	14"	[356 mm]	26-3/4"	[679 mm]	26-3/16"	[665 mm]	22-3/16"	[564 mm]	Frosted Nickel/Wood	1	67.6 lb.s [30.7 kg.]
<b>RIGHT Blind Corner Units</b>											
BBCS-R-15-FN	14"	[356 mm]	19-3/4"	[502 mm]	26-3/16"	[665 mm]	22-3/16"	[564 mm]	Frosted Nickel/Wood	1	63.9 lb.s [29.0 kg.]
BBCT-R-15-FN	14"	[356 mm]	26-3/4"	[679 mm]	26-3/16"	[665 mm]	22-3/16"	[564 mm]	Frosted Nickel/Wood	1	67.6 lb.s [30.7 kg.]



Tel. 800.253.1561  
Fax 877.636.3290  
www.kv.com

See page 62 - 63 for recommended cabinet dimensions and clearances.



SPS21-FN  
(Top Shelf extended)

SPS21-FN  
(Bottom shelf extended)



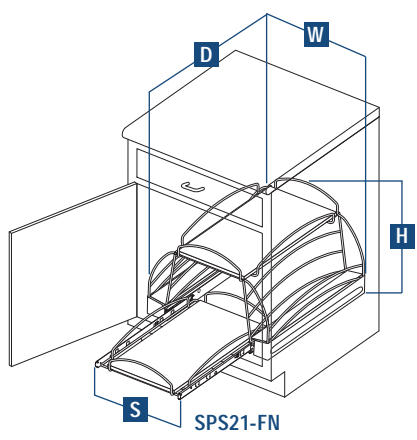
Tray Divider Roll-Out  
(TDRO-FNW-9 shown)

## Pot & Pan Caddy

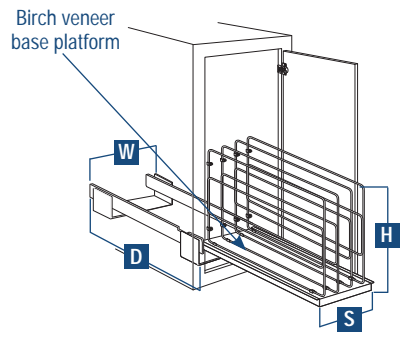
- NEW KV eco-friendly Frosted Nickel finish
- Two separate pull-out sections provide flexible pot and pan storage and access
- Pre-finished birch veneer platforms with contoured skirting and Frosted Nickel heavy-gauge wire fencing
- Easy installation with only 4 screws

## Wood & Wire Tray Divider Roll-Outs

- NEW KV eco-friendly Frosted Nickel finish
- Heavy gauge Frosted Nickel wire frames
- Birch veneer base platform
- Slides out on heavy-duty, full-extension ball bearing slides



SPS21-FN



TDRO-FNW-9

Stock #	Assembled Product Dimensions				Finish [Wire/Platform]	Units per Carton	Weight per Carton
	Sliding Assembly S Width	W Width	H Height	D Depth			
<b>POT &amp; PAN CADDY</b>							
SPS21-FN	19.5" [495.3 mm]	19.5" [495.3 mm]	14-1/4" [362 mm]	22-1/4" [565 mm]	Frosted Nickel/Birch	1	32.6 lb.s [14.8 kg.]
<b>TRAY DIVIDER ROLL-OUTS</b>							
TDRO-FNW-6	5-15/16" [151 mm]	5-15/16" [151 mm]	14" [356 mm]	22-1/4" [565 mm]	Frosted Nickel/Birch	1	11.5 lbs. [5.2 kg.]
TDRO-FNW-9	8-11/16" [221 mm]	8-11/16" [221 mm]	14" [356 mm]	22-1/4" [565 mm]	Frosted Nickel/Birch	1	13.9 lbs. [6.3 kg.]

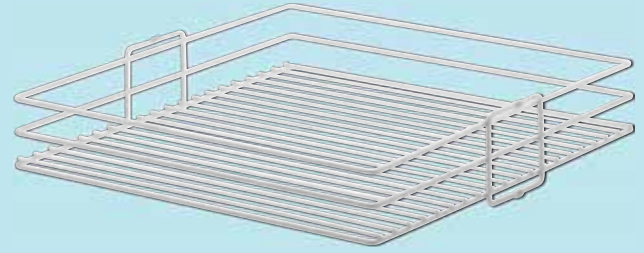
See page 62 - 63 for recommended cabinet dimensions and clearances.

Tel. 800.253.1561  
Fax 877.636.3290  
www.kv.com





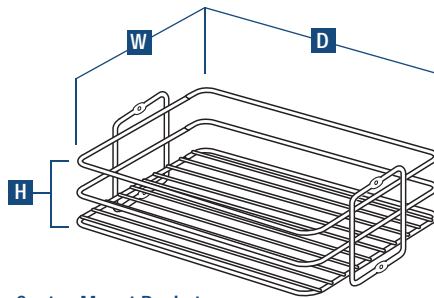
P5450CM-W



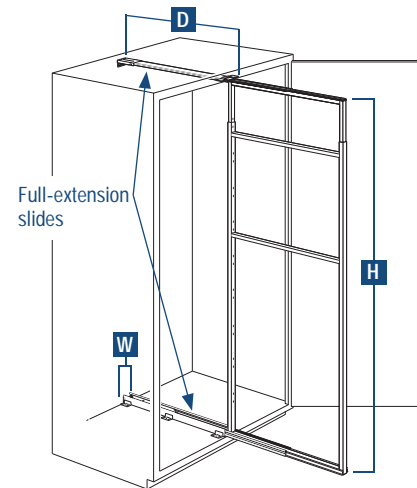
Center-Mount Basket  
(BP20CM-W shown)

## Center-Mount Pantry Roll-Out & Baskets

- Variety of height ranges available
- Center-Mount Baskets (sold separately) mount with four screws (included) to the center of Pantry Roll-Out
- Basket height can be varied in 3-3/4" increments
- Mounted to KV precision ball bearing slides



Center-Mount Basket  
(BP10CM-W shown)



Center-Mount Pantry Roll-Out  
(P5450CM-W shown)

Stock #	Individual Product Dimensions			Finish	Units per Carton	Weight per Carton
	W Width	H Height	D Depth			
<b>CENTER-MOUNT PANTRY ROLL-OUT</b>						
P1875CM-W	3-13/16" [97 mm]	18-3/4-22-1/2" [476-572 mm]	22-1/4" [565 mm]	White	1	12.1 lbs. [5.5 kg.]
P2500CM-W	3-13/16" [97 mm]	22-1/2-26" [572-660 mm]	22-1/4" [565 mm]	White	1	13.7 lbs. [6.2 kg.]
P4250CM-W	3-13/16" [97 mm]	42-1/2-49-3/8" [1080-1254 mm]	22-1/4" [565 mm]	White	1	18.8 lbs. [8.5 kg.]
P4650CM-W	3-13/16" [97 mm]	46-1/2-53-3/8" [1181-1356 mm]	22-1/4" [565 mm]	White	1	19.3 lbs. [8.8 kg.]
P5450CM-W	3-13/16" [97 mm]	54-1/2-61-3/8" [1384-1559 mm]	22-1/4" [565 mm]	White	1	20.4 lbs. [9.3 kg.]
<b>CENTER-MOUNT BASKETS</b>						
BP5CM-W	5" [127 mm]	4-1/8" [105 mm]	20-7/16" [519 mm]	White	2	6.8 lbs. [3.1 kg.]
BP8CM-W	8" [203 mm]	4-1/8" [105 mm]	20-7/16" [519 mm]	White	2	8.4 lbs. [3.8 kg.]
BP11CM-W	11" [279 mm]	4-1/8" [105 mm]	20-7/16" [519 mm]	White	2	9.6 lbs. [4.4 kg.]
BP14CM-W	14" [356 mm]	4-1/8" [105 mm]	20-7/16" [519 mm]	White	2	11.4 lbs. [5.2 kg.]
BP17CM-W	17" [432 mm]	4-1/8" [105 mm]	20-7/16" [519 mm]	White	2	12.8 lbs. [5.8 kg.]
BP20CM-W	20" [508 mm]	4-1/8" [105 mm]	20-7/16" [519 mm]	White	2	14.3 lbs. [6.5 kg.]

Sliding assembly width is same as widest basket width.



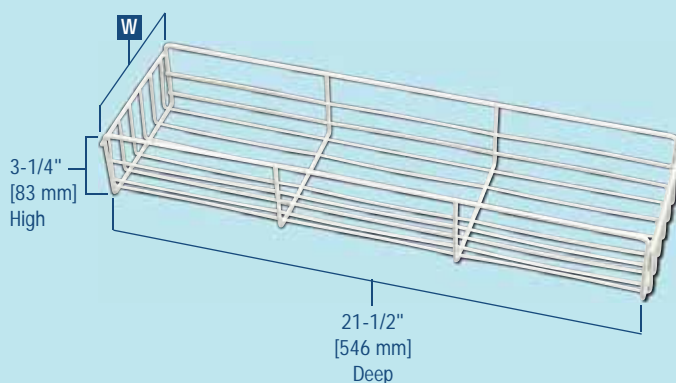
Tel. 800.253.1561  
Fax 877.636.3290  
www.kv.com

See page 62 - 63 for recommended cabinet dimensions and clearances.






P5450FE-FN with BP10-FN

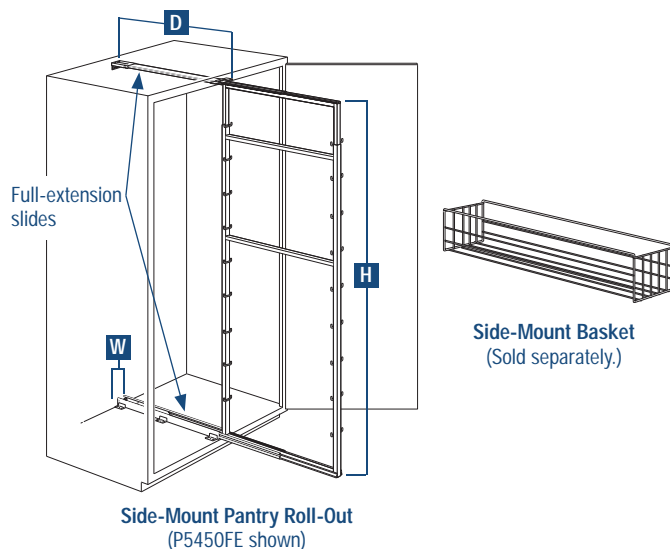


Side-Mount Basket  
(BP6-W shown)

## Side-Mount Pantry Roll-Out & Baskets

-  NEW KV eco-friendly  
Frosted Nickel finish or White
- Basket height can be varied in 4" increments

- Side-Mount Baskets (sold separately) mount to hooks on side of Side-Mount Pantry Roll-Out



Side-Mount Pantry Roll-Out  
(P5450FE shown)

Stock #	Width	Finish	Units per Carton	Weight per Carton
<b>SIDE-MOUNT BASKETS</b>				
BP4-FN	4" [102 mm]	Frosted Nickel	10	13.7 lbs. [6.2 kg.]
BP5-FN	5" [127 mm]	Frosted Nickel	10	15.1 lbs. [6.8 kg.]
BP6-FN	6" [152 mm]	Frosted Nickel	10	16.2 lbs. [7.3 kg.]
BP7-FN	7" [178 mm]	Frosted Nickel	10	17.7 lbs. [8.0 kg.]
BP8-FN	8" [203 mm]	Frosted Nickel	10	18.6 lbs. [8.4 kg.]
BP9-FN	9" [229 mm]	Frosted Nickel	10	19.7 lbs. [8.9 kg.]
BP10-FN	10" [254 mm]	Frosted Nickel	10	21 lbs. [9.5 kg.]
BP12-FN	12" [305 mm]	Frosted Nickel	10	26.3 lbs. [11.9 kg.]
BP4-W	4" [102 mm]	White	10	13.7 lbs. [6.2 kg.]
BP5-W	5" [127 mm]	White	10	15.1 lbs. [6.8 kg.]
BP6-W	6" [152 mm]	White	10	16.2 lbs. [7.3 kg.]
BP7-W	7" [178 mm]	White	10	17.7 lbs. [8.0 kg.]
BP8-W	8" [203 mm]	White	10	18.6 lbs. [8.4 kg.]
BP9-W	9" [229 mm]	White	10	19.7 lbs. [8.9 kg.]
BP10-W	10" [254 mm]	White	10	21 lbs. [9.5 kg.]
BP12-W	12" [305 mm]	White	10	26.3 lbs. [11.9 kg.]

For Depth & Height, see photo above.

Stock #	Individual Product Dimensions			Finish	Units per Carton	Weight per Carton
	W Width	H Height	D Depth			
<b>SIDE-MOUNT PANTRY ROLL-OUTS</b>						
P4250FE-FN	3-13/16" [97 mm]	42-1/2 to 49-3/8" [1080-1254 mm]	22-1/4" [565 mm]	Frosted Nickel	1	18.6 lbs. [8.4 kg.]
P4650FE-FN	3-13/16" [97 mm]	46-1/2 to 53-3/8" [1181-1356 mm]	22-1/4" [565 mm]	Frosted Nickel	1	19.4 lbs. [8.8 kg.]
P5450FE-FN	3-13/16" [97 mm]	54-1/2 to 61-3/8" [1384-1559 mm]	22-1/4" [565 mm]	Frosted Nickel	1	20.8 lbs. [9.4 kg.]
P4250FE-W	3-13/16" [97 mm]	42-1/2 to 49-3/8" [1080-1254 mm]	22-1/4" [565 mm]	White	1	18.7 lbs. [8.5 kg.]
P4650FE-W	3-13/16" [97 mm]	46-1/2 to 53-3/8" [1181-1356 mm]	22-1/4" [565 mm]	White	1	19.8 lbs. [9.0 kg.]
P5050FE-W	3-13/16" [97 mm]	50-1/2 to 57-3/8" [1283-1457 mm]	22-1/4" [565 mm]	White	1	20 lbs. [9.1 kg.]
P5450FE-W	3-13/16" [97 mm]	54-1/2 to 61-3/8" [1384-1559 mm]	22-1/4" [565 mm]	White	1	20.9 lbs. [9.5 kg.]
P6500FE-W	3-13/16" [97 mm]	65 to 71-7/8" [1651-1826 mm]	22-1/4" [565 mm]	White	1	22.5 lbs. [10.2 kg.]

Sliding assembly width is equal to Pantry Roll-Out width plus total width of baskets being applied. Load capacity not to exceed 100 lbs.

See page 62 - 63 for recommended cabinet dimensions and clearances.

Tel. 800.253.1561  
Fax 877.636.3290  
www.kv.com





VBA14-3-W



BCO20E-W with BP6-W

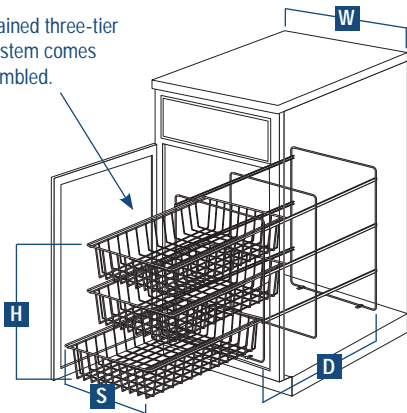
## Vegetable Bin Assembly

-  NEW KV eco-friendly Frosted Nickel finish
- Baskets are ideal for storing vegetables, as well as linens or toys and slide-out on coated steel channels

## Base Cabinet Organizer

- Features six vertical Side-Mount Basket positions (BCO20E-W has two vertical basket positions. Side-Mount Baskets sold separately on page 55.)
- Basket height can be varied in 3-3/4" increments
- 75 lb. class rated, bi-directional slides are non-handed

Self-contained three-tier basket system comes fully assembled.



Vegetable Bin Assembly (VBA14-3-W shown)



Side-Mount Baskets (Sold separately. See pg. 55.)

Base Cabinet Organizer (BCO2456-W shown)

Stock #	Sliding Assembly		Assembled Product Dimensions			Finish	Units per Carton	Weight per Carton
	S Width	W Width	H Height	D Depth				
<b>VEGETABLE BIN ASSEMBLY</b>								
VBA11-3-FN	10-3/8" [264 mm]	11" [279 mm]	19-3/4" [502 mm]	21-1/4" [540 mm]	Frosted Nickel	1	13.7 lbs. [6.2 kg.]	
VBA11-3-W	10-3/8" [264 mm]	11" [279 mm]	19-3/4" [502 mm]	21-1/4" [540 mm]	White	1	13.7 lbs. [6.2 kg.]	
VBA14-3-W	13-3/8" [340 mm]	14" [356 mm]	19-3/4" [502 mm]	21-1/4" [540 mm]	White	1	15.3 lbs. [6.9 kg.]	
<b>BASE CABINET ORGANIZER</b>								
BCO20E-W	**	1-1/2" [24 mm]	21-3/16" [538 mm]	21-11/16" [551 mm]	White	1	6.1 lbs. [2.8 kg.]	
BCO2456-W	***	1-3/8" [35 mm]	25" [635 mm]	22" [559 mm]	White	1	5.8 lbs. [2.6 kg.]	
BCO2456DM-W*	***	3-7/8" [98 mm]	25" [635 mm]	22" [559 mm]	White	1	6.1 lbs. [2.8 kg.]	

\* DM indicates that door-mounting hardware is included.

\*\* Total sliding assembly width is equal to total width of Side-Mount Basket application plus 15/16" [24 mm].

\*\*\* Total sliding assembly width is equal to total width of side-mount basket application plus 1-3/8" [35 mm].



Tel. 800.253.1561  
Fax 877.636.3290  
www.kv.com

See page 62 - 63 for recommended cabinet dimensions and clearances.



B1700-W with BP4-W and BP6-W

## Base Roll-Out

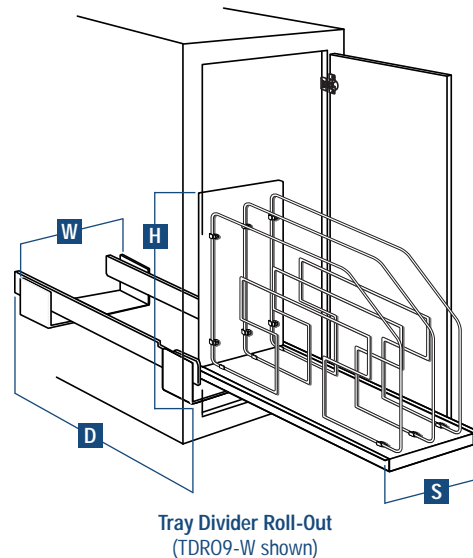
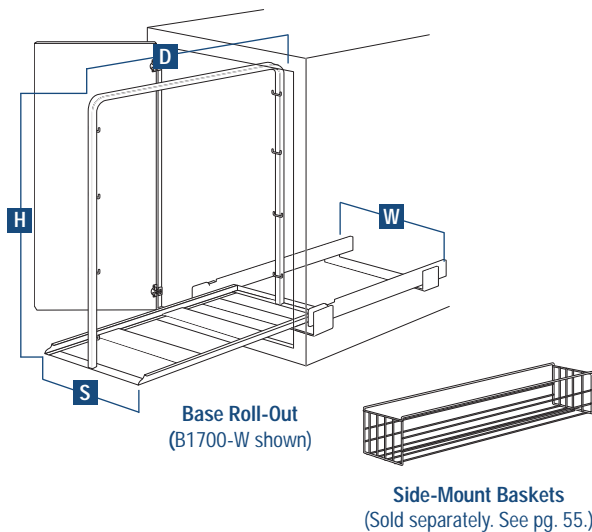
- Four Side-Mount Basket positions per side (Side-Mount Baskets sold separately. See page 55.)
- Basket height can be varied in 3-3/4" increments



TDR09-W

## Tray Divider Roll-Outs

- KV® epoxy-coated roller slides
- Sliding base assembly is 1/2"-thick laminated malamine mounted on epoxy-coated slides and is fully assembled
- Heavy-gauge steel wire partitions section off storage areas



Stock #	Sliding Assembly		Assembled Product Dimensions			Finish	Units per Carton	Weight per Carton			
	S	Width	W	Width	H				Height	D	Depth
<b>BASE ROLL-OUT</b>											
B1700-W	6-3/4"	[171 mm]**	7-9/16"	[192 mm]**	19-1/4"	[489 mm]	21-11/16"	[551 mm]	White	1	7.0 lbs. [3.2 kg.]
<b>TRAY DIVIDER ROLL-OUTS</b>											
TDR06-W	5-7/16"	[138 mm]	6"	[152 mm]	19-1/2"	[495 mm]	22"	[559 mm]	White	1	9.0 lbs. [4.1 kg.]
TDR09-W	8-7/16"	[214 mm]	9"	[229 mm]	19-1/2"	[495 mm]	22"	[559 mm]	White	1	11.9 lbs. [5.4 kg.]

\*\* Total sliding assembly width is equal to total width of Side-Mount Basket application plus 15/16" [24 mm].

See page 62 - 63 for recommended cabinet dimensions and clearances.

Tel. 800.253.1561  
Fax 877.636.3290  
www.kv.com





Multi-Use Basket with Handle and Accessory Basket (GUSB14-FN shown)



Multi-Use Basket with Upper Basket (USB11TM-W shown)



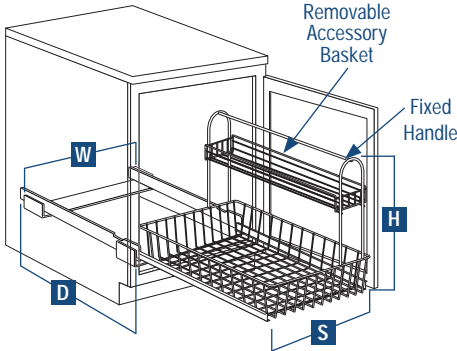
Multi-Use Basket (MU14-W shown)

## Multi-Use Baskets

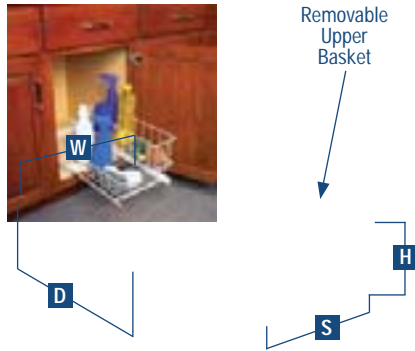
- NEW KV eco-friendly Frosted Nickel finish
- KV® epoxy-coated roller slide
- Accessory and Upper Baskets are non-handed, removable and offset to avoid plumbing for undersink applications

Stock #	LOWER BASKET			UPPER BASKET		
	Width	Height	Depth	Width	Height	Depth
<b>BASKET DIMENSIONS</b>						
GUSB11-FN	11"	4"	18-3/4"	5"	2-7/8"	17-1/2"
GUSB14-FN	14"	4"	18-3/4"	5"	2-7/8"	17-1/2"
USB11-TM-W	11"	4-1/8"	18-3/4"	5"	2-7/8"	17-3/8"
USB11-TM-W	14"	4-1/8"	18-3/4"	5"	2-7/8"	17-3/8"

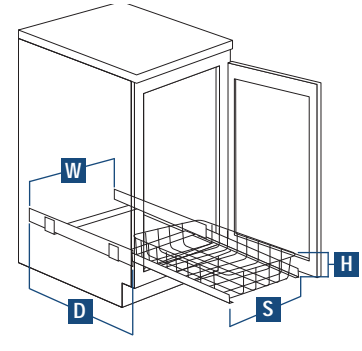
Stock #	LOWER BASKET		
	Width	Height	Depth
<b>BASKET DIMENSIONS</b>			
USB11-W	11"	4-1/8"	18-7/8"
USB14-W	14"	4-1/8"	18-3/4"
MU11-W	11"	4-1/8"	18-3/4"
MU14-W	14"	4-1/8"	18-3/4"



Multi-Use Basket with Handle & Upper Basket



Multi-Use Basket with Upper Basket



Multi-Use Basket

Stock #	Assembled Product Dimensions				Finish	Units per Carton	Weight per Carton
	Sliding Assembly S Width	W Width	H Height	D Depth			
<b>MULTI-USE BASKETS WITH HANDLE AND ACCESSORY BASKET</b>							
USB11-W	11-7/16" [291 mm]	12-1/8" [308 mm]	15-1/2" [394 mm]	18-3/4" [476 mm]	White	1	7.6 lbs. [3.4 kg.]
USB14-W	14-7/16" [367 mm]	15-1/8" [384 mm]	15-1/2" [394 mm]	18-3/4" [476 mm]	White	1	8.2 lbs. [3.7 kg.]
GUSB11-FN	11-7/16" [291 mm]	12-1/8" [308 mm]	15-7/16" [392 mm]	18-3/4" [476 mm]	Frosted Nickel	1	8.9 lbs. [4.0 kg.]
GUSB14-FN	14-7/16" [367 mm]	15-1/8" [384 mm]	15-7/16" [392 mm]	18-3/4" [476 mm]	Frosted Nickel	1	9.7 lbs. [4.4 kg.]
<b>MULTI-USE BASKETS WITH UPPER BASKET</b>							
USB11TM-W	11-7/16" [291 mm]	12-1/8" [308 mm]	9-5/16" [237 mm]	19-1/8" [486 mm]	White	1	6.1 lbs. [2.8 kg.]
USB14TM-W	14-7/16" [367 mm]	15-1/8" [384 mm]	9-5/16" [237 mm]	19-1/8" [486 mm]	White	1	7.2 lbs. [3.3 kg.]
<b>MULTI-USE BASKETS</b>							
MU11-W	11-7/16" [291 mm]	12-1/8" [308 mm]	5-3/16" [132 mm]	18-3/4" [476 mm]	White	1	4.8 lbs. [2.2 kg.]
MU14-W	14-7/16" [367 mm]	15-1/8" [384 mm]	5-3/16" [132 mm]	18-3/4" [476 mm]	White	1	5.7 lbs. [2.6 kg.]

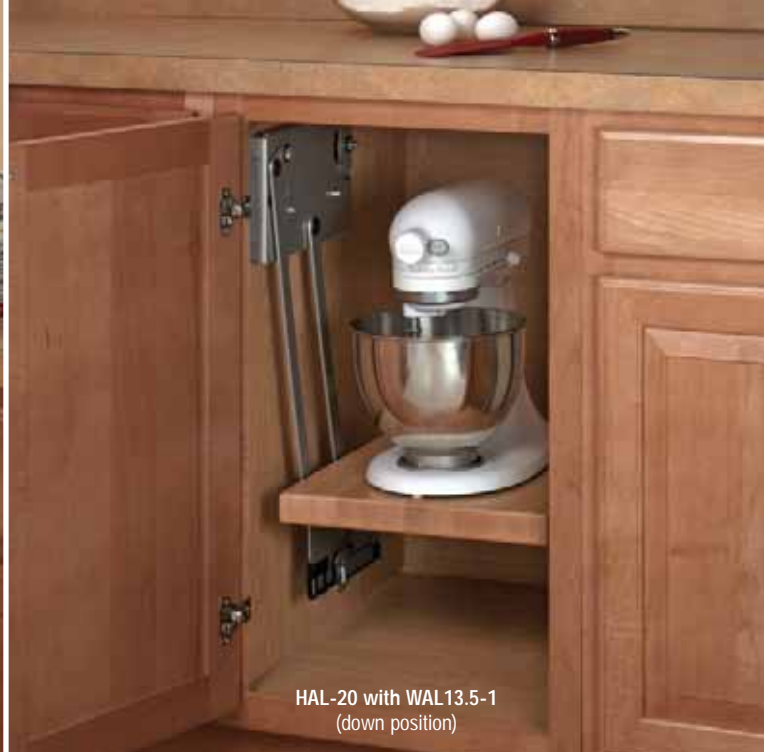


Tel. 800.253.1561  
Fax 877.636.3290  
www.kv.com

See page 62 - 63 for recommended cabinet dimensions and clearances.



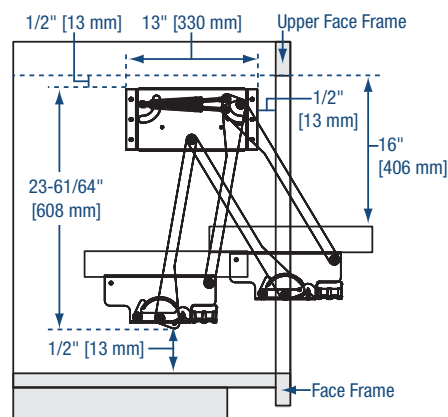
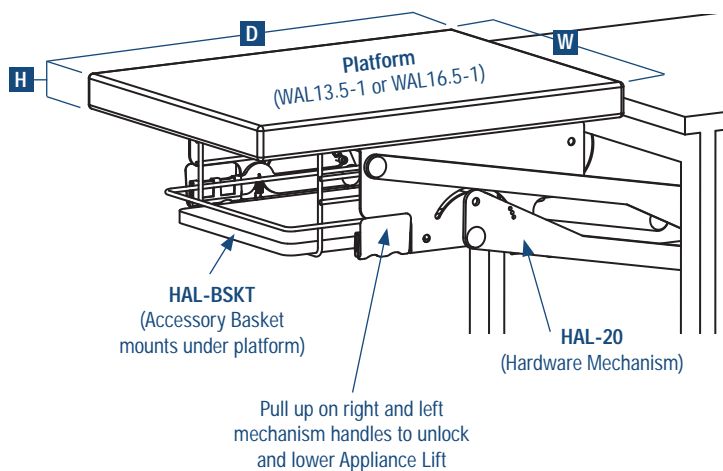
HAL-20 with WAL13.5-1  
(up position)



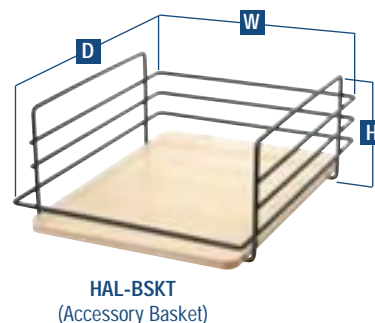
HAL-20 with WAL13.5-1  
(down position)

## Appliance Lift

- Kitchen appliances raise effortlessly with a gas cylinder assist and then lock securely into place
- Can be outfitted with a custom block platform or a quality KV® pre-made maple wood platform
- Lift can be positioned at three different levels:  
1" above counter, flush with counter or 1" below counter



NOTE: Install 1/2" down and 1/2" back from upper Face Frame (as shown)



HAL-BSKT  
(Accessory Basket)

Stock #	Description	W Width	H Height	D Depth	Finish	Units per Carton	Weight per Carton
<b>APPLIANCE LIFT PARTS</b>							
HAL-20	Hardware Mechanism* (left and right arm)	Platform Surface + 2-1/2" [64 mm]	23-61/64" [608 mm]	Maximum of 13" [330 mm] or Platform Depth	Platinum	1	13.7 lbs. [6.2 kg.]
WAL13.5-1	13-1/2" Maple Block Platform	13-1/2" [343 mm]	1-1/2" [38 mm]	18" [457 mm]	Maple	1	9.9 lbs. [4.5 kg.]
WAL16.5-1	16-1/2" Maple Block Platform	16-1/2" [419 mm]	1-1/2" [38 mm]	18" [457 mm]	Maple	1	12.3 lbs. [5.6 kg.]
HAL-BSKT	Accessory Basket	9-7/8" [251 mm]	4-7/8" [124 mm]	12-7/8" [327 mm]	Black/Maple	1	4.2 lbs. [1.9 kg.]

\* Maximum load capacity should not exceed 30 lbs.

See page 62 - 63 for recommended cabinet dimensions and clearances.

Tel. 800.253.1561  
Fax 877.636.3290  
www.kv.com





Roll-Out Plastic Hamper  
(PSH15-1-60-W shown)



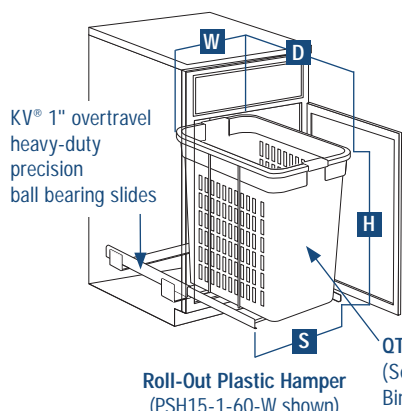
Roll-Out Wire Hamper  
(H1215-W shown)



Tilt-Out Wire Hamper  
(T01716-W shown)

# Hampers

- Hamper is removable (except Tilt-Out Hampers). (See page 14 for Roll-Out Plastic Hamper replacement bin information.)
- Aerated plastic and open wire frame hampers make laundry storage easy



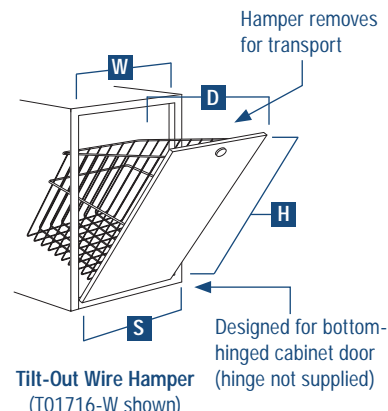
Roll-Out Plastic Hamper  
(PSH15-1-60-W shown)

KV® epoxy-coated roller slides

QT60PB-W  
(See page 14 for Replacement Bin information)



Roll-Out Wire Hamper  
(H1515-W shown)



Tilt-Out Wire Hamper  
(T01716-W shown)

Stock #	Assembly		Assembled Product Dimensions				Finish	Capacity per Bin	# Bins	Units per Carton	Weight per Carton
	S	Width	W	Width	H	Height					
<b>ROLL-OUT PLASTIC HAMPER</b>											
PSH15-1-60-W		14-5/16" [364 mm]	15-1/8" [384 mm]	21-1/16" [535 mm]	19-1/8" [486 mm]	White	60 Qt.	1	1	11.8 lbs. [5.4 kg.]	
PDMSH15-1-60-W*		14-5/16" [364 mm]	15-1/8" [384 mm]	21-1/16" [535 mm]	19-1/8" [486 mm]	White	60 Qt.	1	1	13.6 lbs. [6.2 kg.]	
<b>ROLL-OUT WIRE HAMPER</b>											
H1215-W		11-7/16" [291 mm]	12-1/8" [308 mm]	14-5/8" [371 mm]	18-3/4" [476 mm]	White	40 Qt.	1	1	8.1 lbs. [3.7 kg.]	
H1218-W		11-7/16" [291 mm]	12-1/8" [308 mm]	18-7/8" [479 mm]	18-3/4" [476 mm]	White	53 Qt.	1	1	9 lbs. [4.1 kg.]	
H1515-W		14-7/16" [367 mm]	15-1/8" [384 mm]	14-5/8" [371 mm]	18-3/4" [476 mm]	White	53 Qt.	1	1	9.2 lbs. [4.2 kg.]	
H1518-W		14-7/16" [367 mm]	15-1/8" [384 mm]	18-7/8" [479 mm]	18-3/4" [476 mm]	White	71 Qt.	1	1	11 lbs. [5.0 kg.]	
MH1215-W		11-7/16" [291 mm]	12-1/8" [308 mm]	14-5/8" [371 mm]	16" [406 mm]	White	33 Qt.	1	1	7.1 lbs. [3.2 kg.]	
<b>TILT-OUT WIRE HAMPER</b>											
T01710-1-W		10-1/2" [267 mm]	10-1/2" [267 mm]	17-3/4" [451 mm]	18-13/16" [478 mm]	White	39 Qt.	1	1	6.2 lbs. [2.8 kg.]	
T01710-W		10-1/2" [267 mm]	10-1/2" [267 mm]	17-3/4" [451 mm]	18-13/16" [478 mm]	White	39 Qt.	1	8	42.8 lbs. [19.4 kg.]	
T01713-1-W		13-1/2" [343 mm]	13-1/2" [343 mm]	17-3/4" [451 mm]	18-13/16" [478 mm]	White	52 Qt.	1	1	7.6 lbs. [3.4 kg.]	
T01713-W		13-1/2" [343 mm]	13-1/2" [343 mm]	17-3/4" [451 mm]	18-13/16" [478 mm]	White	52 Qt.	1	8	48.1 lbs. [21.8 kg.]	
T01716-1-W		16-1/2" [419 mm]	16-1/2" [419 mm]	17-3/4" [451 mm]	18-13/16" [478 mm]	White	65 Qt.	1	1	8.7 lbs. [3.9 kg.]	
T01716-W		16-1/2" [419 mm]	16-1/2" [419 mm]	17-3/4" [451 mm]	18-13/16" [478 mm]	White	65 Qt.	1	8	41.8 lbs. [19.0 kg.]	



Tel. 800.253.1561  
Fax 877.636.3290  
www.kv.com

\*Includes door-mounting hardware for 1-1/2" face frame cabinetry.

See page 62 - 63 for recommended cabinet dimensions and clearances.



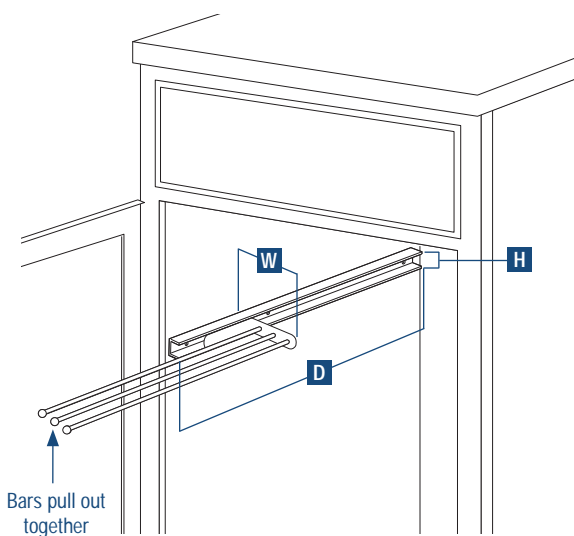
Pull-Out Towel Bar  
(P793 ANO)



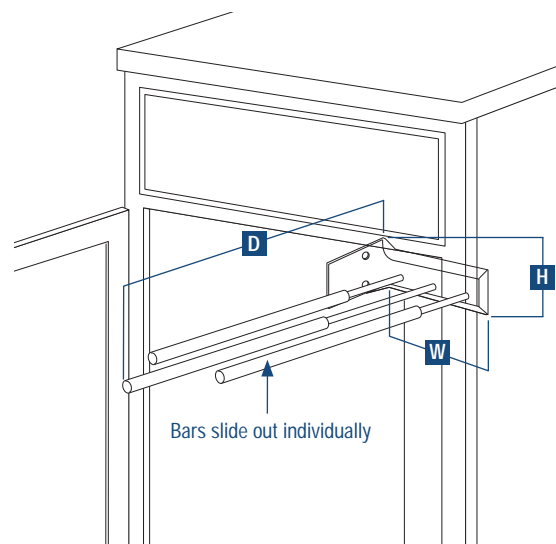
Slide-Out Towel Bar  
(TB-3P-W)

## Pull-Out & Slide-Out Towel Bars

- Pull-Out Towel Bar (P793 ANO) has three bars that pull out together on a friction-free ball bearing carrier
- Slide-Out Towel Bar (TB-3P-W) features three plastic extruded bars that slide out individually on steel rods
- Both models mount to right or left side of cabinet; TB-3P-W also mounts to back of cabinet



Pull-Out Towel Bar  
(P793 ANO)



Slide-Out Towel Bar  
(TB-3P-W)

Stock #	Sliding Assembly		Assembled Product Dimensions			Finish	Units per Carton	Weight per Carton
	S	Width	W	H	D			
<b>PULL-OUT TOWEL BARS</b>								
P793 ANO		4-13/16" [122 mm]	4-13/16" [122 mm]	1-5/16" [33 mm]	17-3/4" [451 mm]	Anochrome	10	23.3 lbs. [10.6 kg.]
<b>SLIDE-OUT TOWEL BARS</b>								
TB-3P-W		6-3/4" [171 mm]	6-3/4" [171 mm]	3-9/16" [90 mm]	19" [483 mm]	White	10	9.8 lbs. [4.4 kg.]

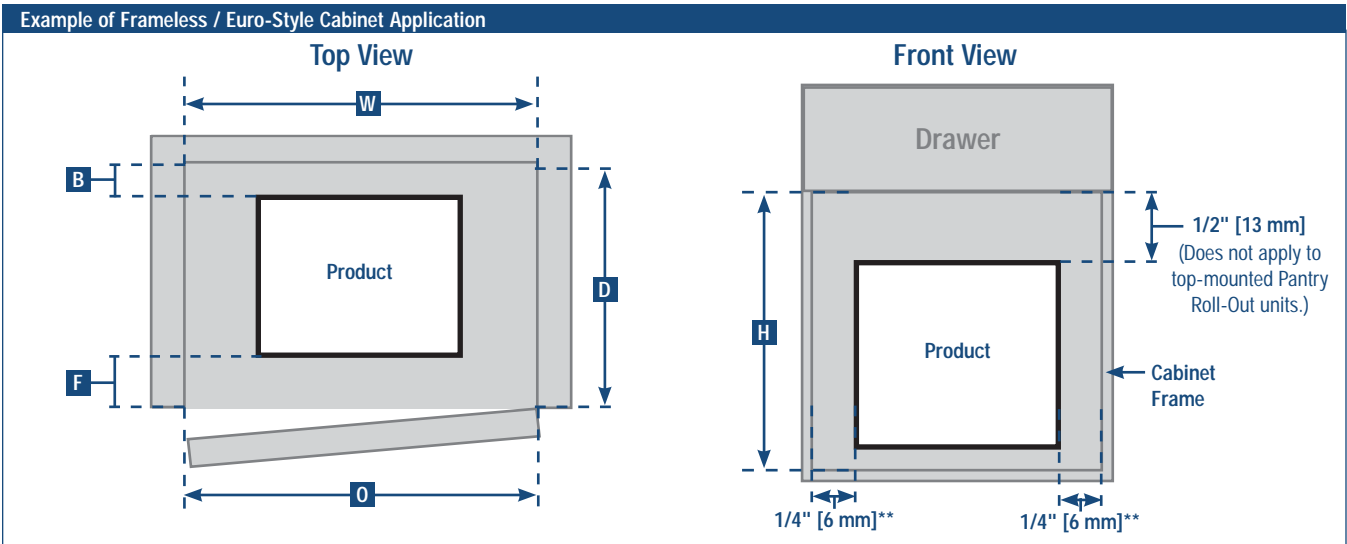
See page 62 - 63 for recommended cabinet dimensions and clearances.

Tel. 800.253.1561  
Fax 877.636.3290  
www.kv.com



# Cabinet Dimensions

Stock #	Min. Cabinet Opening		Minimum Interior Cabinet Dimensions			Minimum Cabinet Clearances						
	O	Width	W	Width	H	Height	D	Depth	F	Front	B	Back
<b>WOOD &amp; WIRE</b>												
<b>Slide-Out Base Blind Corner Units</b>												
BBCS-L-15-FN	15"	[381 mm]	26-11/16"	[678 mm]	20-1/4"	[514 mm]	22-11/16"	[576 mm]	1/4"	[6 mm]	1/4"	[6 mm]
BBCT-L-15-FN	15"	[381 mm]	26-11/16"	[678 mm]	27-1/4"	[692 mm]	22-11/16"	[576 mm]	1/4"	[6 mm]	1/4"	[6 mm]
BBCS-R-15-FN	15"	[381 mm]	26-11/16"	[678 mm]	20-1/4"	[514 mm]	22-11/16"	[576 mm]	1/4"	[6 mm]	1/4"	[6 mm]
BBCT-R-15-FN	15"	[381 mm]	26-11/16"	[678 mm]	27-1/4"	[692 mm]	22-11/16"	[576 mm]	1/4"	[6 mm]	1/4"	[6 mm]
<b>Center-Mount Pantry Roll-Outs</b>												
P1875CM-FN	*	*			18-3/4"	[476 mm]	22-1/4"	[565 mm]	-		-	
P2500CM-FN	*	*			22-1/2"	[572 mm]	22-1/4"	[565 mm]	-		-	
P4250CM-FN	*	*			42-1/2"	[1080 mm]	22-1/4"	[565 mm]	-		-	
P4650CM-FN	*	*			46-1/2"	[1181 mm]	22-1/4"	[565 mm]	-		-	
P5450CM-FN	*	*			54-1/2"	[1384 mm]	22-1/4"	[565 mm]	-		-	
<b>Pot &amp; Pan Pantry Organizer</b>												
PAN1700TM-FN	18"	[457 mm]	18"	[457 mm]	24"	[610 mm]	24"	[610 mm]	-		1/2"	[13 mm]
<b>Pot &amp; Pan Caddy</b>												
SPS21-FN	20"	[508 mm]	20"	[508 mm]	14-3/4"	[375 mm]	22-3/4"	[578 mm]	1/4"	[6 mm]	1/4"	[6 mm]
<b>Wood &amp; Wire Tray Divider Roll-Outs</b>												
TDRO-FNW-6	6"	[152 mm]	6-7/16"	[164 mm]	14-1/2"	[368 mm]	22-3/4"	[578 mm]	1/4"	[6 mm]	1/4"	[6 mm]
TDRO-FNW-9	9"	[229 mm]	9-3/16"	[233 mm]	14-1/2"	[368 mm]	22-3/4"	[578 mm]	1/4"	[6 mm]	1/4"	[6 mm]
<b>SPECIALTY</b>												
<b>Appliance Lift (see page 59 for additional clearances)</b>												
HAL-20	Platform Width + 1" [25 mm]	Platform Width + 2-1/2" [64 mm]			25"	[634 mm]	Maximum of 14-1/2" [368 mm] OR platform depth		1/2"	[13 mm]	1/2"	[13 mm]
<b>Hampers</b>												
PSH15-160-W	15"	[381 mm]	15-5/8"	[397 mm]	21-9/16"	[548 mm]	19-5/8"	[498 mm]	1/4"	[6 mm]	1/4"	[6 mm]
PDMSH15-1-60-W	15"	[381 mm]	15-5/8"	[397 mm]	21-9/16"	[548 mm]	19-5/8"	[498 mm]	1/4"	[6 mm]	1/4"	[6 mm]
H1215-W	12"	[305 mm]	12-5/8"	[321 mm]	15-1/8"	[384 mm]	19-1/4"	[489 mm]	1/4"	[6 mm]	1/4"	[6 mm]
H1218-W	12"	[305 mm]	12-5/8"	[321 mm]	19-3/8"	[492 mm]	19-1/4"	[489 mm]	1/4"	[6 mm]	1/4"	[6 mm]
H1515-W	15"	[381 mm]	15-5/8"	[397 mm]	15-1/8"	[384 mm]	19-1/4"	[489 mm]	1/4"	[6 mm]	1/4"	[6 mm]
H1518-W	15"	[381 mm]	15-5/8"	[397 mm]	19-3/8"	[492 mm]	19-1/4"	[489 mm]	1/4"	[6 mm]	1/4"	[6 mm]
MH1215-W	12"	[305 mm]	12-5/8"	[321 mm]	15-1/8"	[384 mm]	16-1/2"	[419 mm]	1/4"	[6 mm]	1/4"	[6 mm]
TO1710-1-W	11"	[279 mm]	11"	[279 mm]	18-1/4"	[464 mm]	19-5/16"	[491 mm]	1/4"	[6 mm]	1/4"	[6 mm]
TO1710-W	11"	[279 mm]	11"	[279 mm]	18-1/4"	[464 mm]	19-5/16"	[491 mm]	1/4"	[6 mm]	1/4"	[6 mm]
TO1713-1-W	14"	[356 mm]	14"	[356 mm]	18-1/4"	[464 mm]	19-5/16"	[491 mm]	1/4"	[6 mm]	1/4"	[6 mm]
TO1713-W	14"	[356 mm]	14"	[356 mm]	18-1/4"	[464 mm]	19-5/16"	[491 mm]	1/4"	[6 mm]	1/4"	[6 mm]
TO1716-1-W	17"	[432 mm]	17"	[432 mm]	18-1/4"	[464 mm]	19-5/16"	[491 mm]	1/4"	[6 mm]	1/4"	[6 mm]
TO1716-W	17"	[432 mm]	17"	[432 mm]	18-1/4"	[464 mm]	19-5/16"	[491 mm]	1/4"	[6 mm]	1/4"	[6 mm]
<b>Slide-Out Towel Bar</b>												
P79 3 ANO	5-5/16"	[135 mm]	5-5/16"	[135 mm]	1-13/16"	[46 mm]	18-1/4"	[464 mm]	1/4"	[6 mm]	1/4"	[6 mm]
TB-3P-W	7-1/4"	[184 mm]	7-1/4"	[184 mm]	4-1/16"	[103 mm]	19-1/2"	[495 mm]	1/4"	[6 mm]	1/4"	[6 mm]



\*\* Slide-out Base Blind Corner Units and Base Cabinet Organizers require 1/2" side clearance on one side, not both.



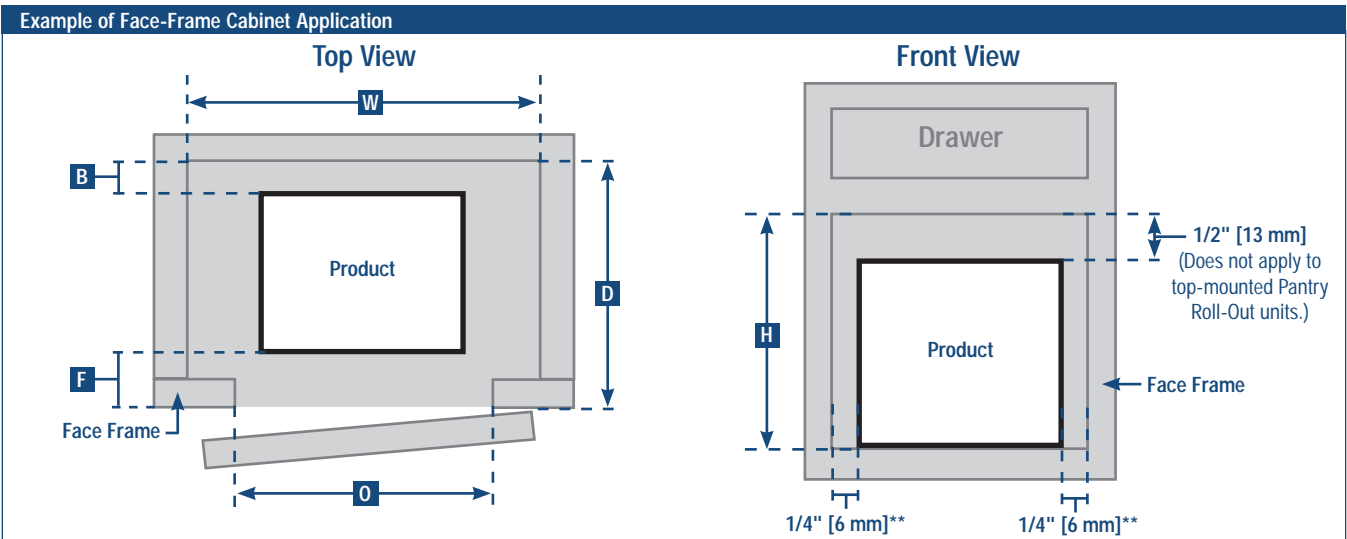
Tel. 800.253.1561  
 Fax 877.636.3290  
 www.kv.com

\* Minimum Cabinet Opening Width AND Minimum Cabinet Interior Width equals total width of completely assembled unit with all baskets applied, plus 1/2" clearance per side (1" total clearance for center-mounted units, 1/2" side clearance for side-mounted units).  
 Dimensions shown are recommended minimum cabinet dimensions and clearances.



# Cabinet Dimensions

Stock #	Min. Cabinet Opening	Minimum Interior Cabinet Dimensions			Minimum Cabinet Clearances	
	O Width	W Width	H Height	D Depth	F Front	B Back
<b>WIRE</b>						
<b>Center-Mount Pantry Roll-Out</b>						
P4250CM-W	*	*	42-1/2" [1080 mm]	22-1/4" [565 mm]	-	-
P4650CM-W	*	*	46-1/2" [1080 mm]	22-1/4" [565 mm]	-	-
P5450CM-W	*	*	54-1/2" [1384 mm]	22-1/4" [565 mm]	-	-
P1875CM-W	*	*	18-3/4" [476 mm]	22-1/4" [565 mm]	-	-
P2500CM-W	*	*	22-1/2" [572 mm]	22-1/4" [565 mm]	-	-
<b>Side-Mount Pantry Roll-Out</b>						
P4250FE-W	*	*	42-1/2" [1080 mm]	22-1/4" [565 mm]	-	-
P4650FE-W	*	*	46-1/2" [1181 mm]	22-1/4" [565 mm]	-	-
P5050FE-W	*	*	50-1/2" [1283 mm]	22-1/4" [565 mm]	-	-
P5450FE-W	*	*	54-1/2" [1384 mm]	22-1/4" [565 mm]	-	-
P6500FE-W	*	*	65" [1651 mm]	22-1/4" [565 mm]	-	-
P4250FE-FN	*	*	42-1/2" [1080 mm]	22-1/4" [565 mm]	-	-
P4650FE-FN	*	*	46-1/2" [1181 mm]	22-1/4" [565 mm]	-	-
P5450FE-FN	*	*	54-1/2" [1384 mm]	22-1/4" [565 mm]	-	-
<b>Vegetable Bin Assembly</b>						
VBA11-3-FN	11" [279 mm]	11-1/2" [292 mm]	20-1/4" [514 mm]	21-3/4" [552 mm]	1/4" [6 mm]	1/4" [6 mm]
VBA11-3-W	11" [279 mm]	11-1/2" [292 mm]	20-1/4" [514 mm]	21-3/4" [552 mm]	1/4" [6 mm]	1/4" [6 mm]
VBA14-3-W	14" [356 mm]	14-1/2" [368 mm]	20-1/4" [514 mm]	21-3/4" [552 mm]	1/4" [6 mm]	1/4" [6 mm]
<b>Base Cabinet Organizer</b>						
BCO20E-W	*	*	21-11/16" [551 mm]	22-3/16" [564 mm]	1/4" [6 mm]	1/4" [6 mm]
BCO2456-W	*	*	25-1/2" [648 mm]	22-1/2" [572 mm]	1/4" [6 mm]	1/4" [6 mm]
BCO2456DM-W	*	*	25-1/2" [648 mm]	22-1/2" [572 mm]	1/4" [6 mm]	1/4" [6 mm]
<b>Base Roll-Out</b>						
B1700-W	*	*	19-3/4" [502 mm]	22-3/16" [564 mm]	1/4" [6 mm]	1/4" [6 mm]
<b>Multi-Use Baskets</b>						
GUSB11-FN	12" [305 mm]	12-5/8" [321 mm]	15-15/16" [405 mm]	19-1/4" [489 mm]	1/4" [6 mm]	1/4" [6 mm]
GUSB14-FN	15" [381 mm]	15-5/8" [397 mm]	15-15/16" [405 mm]	19-1/4" [489 mm]	1/4" [6 mm]	1/4" [6 mm]
USB11-W	12" [305 mm]	12-5/8" [321 mm]	16" [406 mm]	19-1/4" [489 mm]	1/4" [6 mm]	1/4" [6 mm]
USB14-W	15" [381 mm]	15-5/8" [397 mm]	16" [406 mm]	19-1/4" [489 mm]	1/4" [6 mm]	1/4" [6 mm]
USB11TM-W	12" [305 mm]	12-5/8" [321 mm]	9-13/16" [249 mm]	19-5/8" [498 mm]	1/4" [6 mm]	1/4" [6 mm]
USB14TM-W	15" [381 mm]	15-5/8" [397 mm]	9-13/16" [249 mm]	19-5/8" [498 mm]	1/4" [6 mm]	1/4" [6 mm]
MU11-W	12" [305 mm]	12-5/8" [321 mm]	5-11/16" [144 mm]	19-1/4" [489 mm]	1/4" [6 mm]	1/4" [6 mm]
MU14-W	15" [381 mm]	15-5/8" [397 mm]	5-11/16" [144 mm]	19-1/4" [489 mm]	1/4" [6 mm]	1/4" [6 mm]
<b>Tray Divider Roll-Outs</b>						
TDR06-W	6" [152 mm]	6-1/2" [165 mm]	20" [508 mm]	22-1/2" [572 mm]	1/4" [6 mm]	1/4" [6 mm]
TDR09-W	9" [229 mm]	9-1/2" [241 mm]	20" [508 mm]	22-1/2" [572 mm]	1/4" [6 mm]	1/4" [6 mm]



\*\* Slide-out Base Blind Corner Units and Base Cabinet Organizers require 1/2" side clearance on one side, not both.

\* Minimum Cabinet Opening Width AND Minimum Cabinet Interior Width equals total width of completely assembled unit with all baskets applied, plus 1/2" clearance per side (1" total clearance for center-mounted units, 1/2" side clearance for side-mounted units).

Dimensions shown are recommended minimum cabinet dimensions and clearances.

Tel. 800.253.1561  
Fax 877.636.3290  
www.kv.com



# Specialty Storage

64



66

Wine Accessories



67

Spice Racks

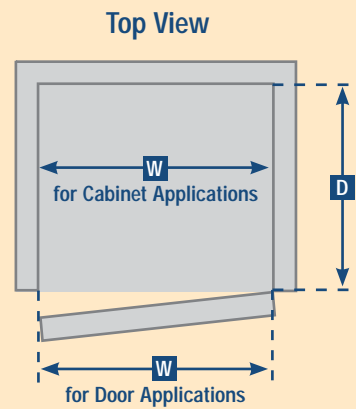


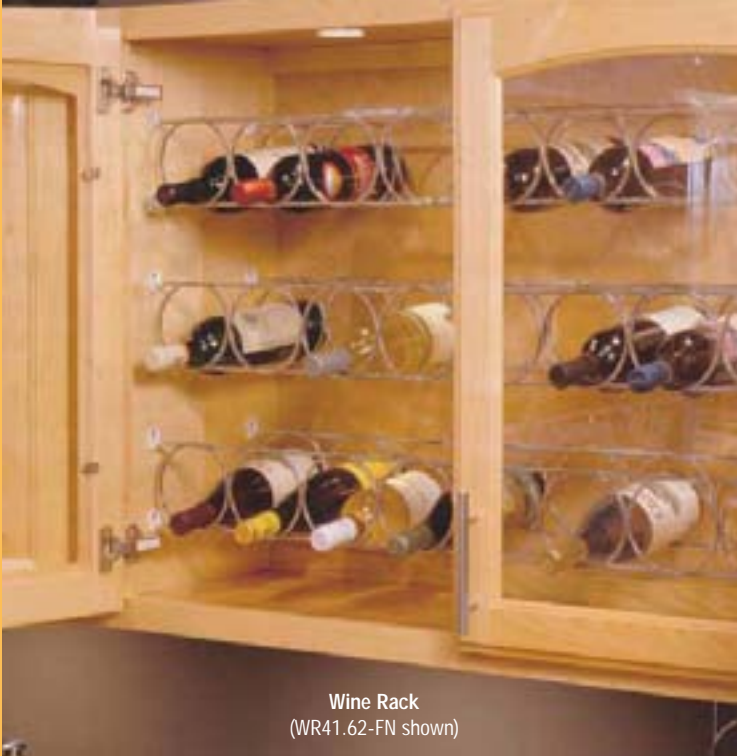


68 Wire Accessories



71 Cabinet Dimensions






Wine Rack  
(WR41.62-FN shown)

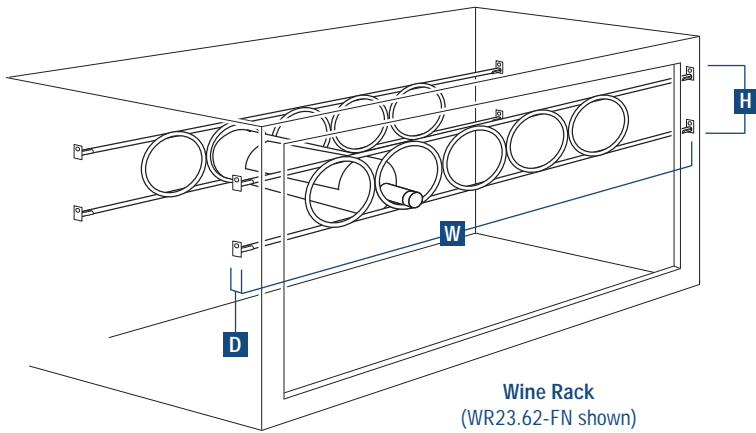


Stemware Holder  
(ST11.50-FN shown)

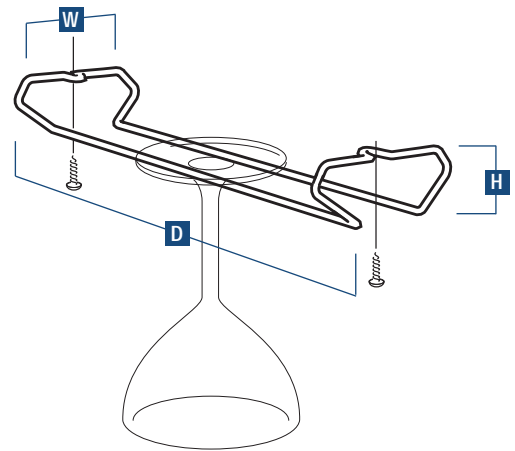


## Wine Accessories

-  NEW KV eco-friendly Frosted Nickel finish
- Economical and elegant wine and stemware displays
- Two racks are required for Wine Rack installation, one in front and one parallel in back



Wine Rack  
(WR23.62-FN shown)



Stemware Holder

Stock #	Individual Product Dimensions			# Of Rings	Finish	Units per Carton	Weight per Carton
	W Width	H Height	D Depth				
<b>WINE RACKS</b>							
WR23.62-FN	23-5/8" [600 mm]	4-1/4" [108 mm]	**	5	Frosted Nickel	5 pair*	12 lbs. [5.4 kg.]
WR29.62-FN	29-5/8" [752 mm]	4-1/4" [108 mm]	**	6	Frosted Nickel	5 pair*	17 lbs. [7.7 kg.]
WR35.62-FN	35-5/8" [905 mm]	4-1/4" [108 mm]	**	7	Frosted Nickel	5 pair*	17 lbs. [7.7 kg.]
WR41.62-FN	41-5/8" [1057 mm]	4-1/4" [108 mm]	**	9	Frosted Nickel	5 pair*	20.6 lbs. [9.3 kg.]
<b>STEMWARE HOLDERS</b>							
ST11.50-B	4" [102 mm]	2" [51 mm]	11-9/16" [294 mm]	-	Brass-Look	10	3.5 lbs. [1.6 kg.]
ST11.50-FN	4" [102 mm]	2" [51 mm]	11-9/16" [294 mm]	-	Frosted Nickel	10	3.5 lbs. [1.6 kg.]

\* Each pair comes with two pieces. \*\*Total product depth is dependent upon positioning of front and back pieces.



Tel. 800.253.1561  
Fax 877.636.3290  
www.kv.com

See page 71 for recommended cabinet dimensions and clearances.




SR12-FN

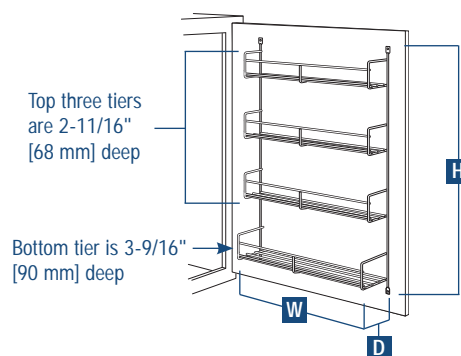


SR15-W

## Spice Racks

67

-  NEW KV eco-friendly Frosted Nickel finish or White
- Bottom tier is 3-9/16" deep to accommodate larger items



Stock #	Assembled Product Dimensions			Finish [Wire/Platform]	Units per Carton	Weight per Carton
	W Width	H Height	D Depth			
<b>SPICE RACKS</b>						
SR12-FN	7-13/16" [198 mm]	20" [508 mm]	3-7/8" [98 mm]	Frosted Nickel	6	12.4 lbs. [5.6 kg.]
SR12-1-FN	7-13/16" [198 mm]	20" [508 mm]	3-7/8" [98 mm]	Frosted Nickel	1	2.5 lbs. [1.1 kg.]
SR15-FN	10-13/16" [275 mm]	20" [508 mm]	3-7/8" [98 mm]	Frosted Nickel	5	13.2 lbs. [6.0 kg.]
SR15-1-FN	10-13/16" [275 mm]	20" [508 mm]	3-7/8" [98 mm]	Frosted Nickel	1	2.5 lbs. [1.1 kg.]
SR18-FN	13-13/16" [351 mm]	20" [508 mm]	3-7/8" [98 mm]	Frosted Nickel	5	14.7 lbs. [6.7 kg.]
SR18-1-FN	13-13/16" [351 mm]	20" [508 mm]	3-7/8" [98 mm]	Frosted Nickel	1	3.2 lbs. [1.5 kg.]
SR12-W	7-13/16" [198 mm]	20" [508 mm]	3-7/8" [98 mm]	White	6	12.4 lbs. [5.6 kg.]
SR12-1-W	7-13/16" [198 mm]	20" [508 mm]	3-7/8" [98 mm]	White	1	2.5 lbs. [1.1 kg.]
SR15-W	10-13/16" [275 mm]	20" [508 mm]	3-7/8" [98 mm]	White	5	13.2 lbs. [6.0 kg.]
SR15-1-W	10-13/16" [275 mm]	20" [508 mm]	3-7/8" [98 mm]	White	1	2.5 lbs. [1.1 kg.]
SR18-W	13-13/16" [351 mm]	20" [508 mm]	3-7/8" [98 mm]	White	5	14.7 lbs. [6.7 kg.]
SR18-1-W	13-13/16" [351 mm]	20" [508 mm]	3-7/8" [98 mm]	White	1	3.2 lbs. [1.4 kg.]

See page 71 for recommended cabinet dimensions and clearances.

Tel. 800.253.1561  
Fax 877.636.3290  
www.kv.com






TB-W



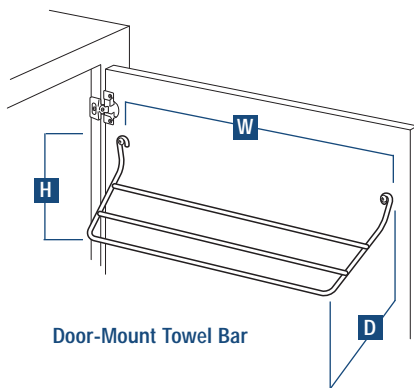
UT9-W

## Door-Mount Towel Bar

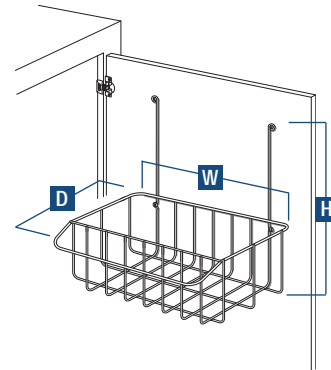
-  NEW KV eco-friendly  
Frosted Nickel finish or White
- Three-tiered Door-Mount Towel Bar installs easily with two screws and offers a simple solution to storing and accessing dish towels

## Utility Rack

- Wire basket with attached towel rack is ideal for storing cleaning supplies in sink base cabinets



Door-Mount Towel Bar



Utility Rack

### Assembled Product Dimensions

Stock #	W Width	H Height	D Depth	Finish	Units per Carton	Weight per Carton
<b>DOOR-MOUNT TOWEL BAR</b>						
TB-1-W	12-7/16" [316 mm]	5-1/2" [140 mm]	3-3/8" [86 mm]	White	1	0.2 lbs. [0.1 kg.]
TB-W	12-7/16" [316 mm]	5-1/2" [140 mm]	3-3/8" [86 mm]	White	10	2.9 lbs. [1.3 kg.]
TB-FN	12-7/16" [316 mm]	5-1/2" [140 mm]	3-3/8" [86 mm]	Frosted Nickel	10	2.9 lbs. [1.3 kg.]
<b>UTILITY RACK</b>						
UT9-W	9-9/16" [243 mm]	9" [229 mm]	5-15/16" [151 mm]	White	10	9.3 lbs. [4.2 kg.]




Tel. 800.253.1561  
Fax 877.636.3290  
www.kv.com

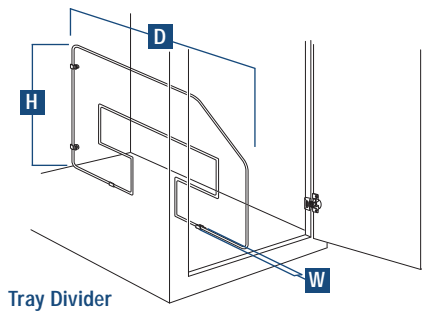
See page 71 for recommended cabinet dimensions and clearances.



TD12-FN

## Tray Divider

-  NEW KV eco-friendly Frosted Nickel finish or White
- Available in 12" and 18" heights
- Installs easily with four attachment clips




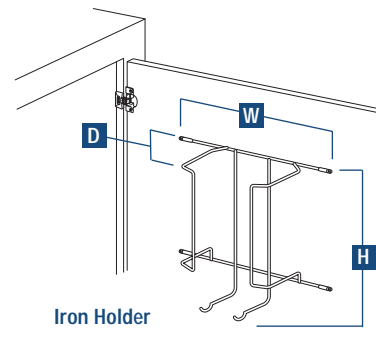
Tray Divider



IH-FN

## Iron Holder

-  NEW KV eco-friendly Frosted Nickel finish
- Can be installed on cabinet door above or below ironing board so iron will be readily available
- Conveniently stores iron when not in use



Iron Holder

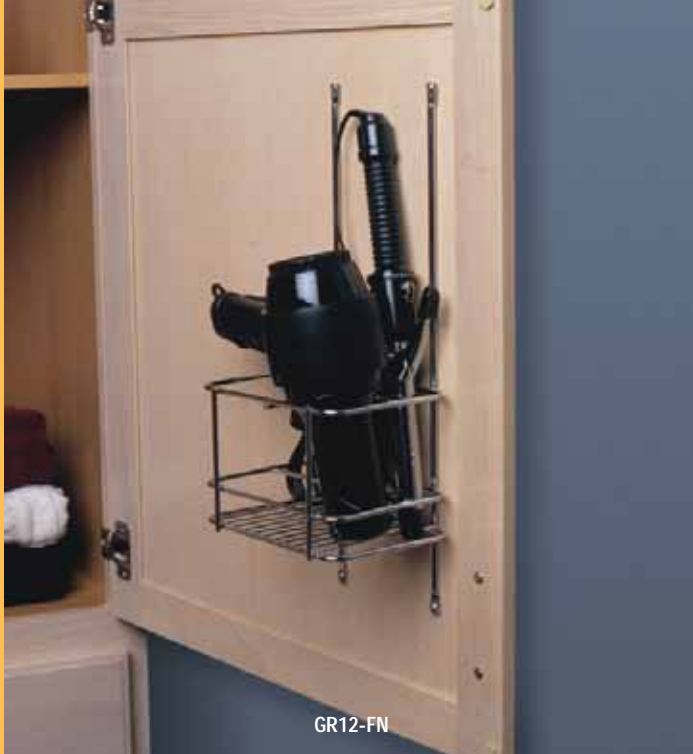
Stock #	Assembled Product Dimensions			Finish [Wire/Bin]	Units per Carton	Weight per Carton
	W Width	H Height	D Depth			
<b>TRAY DIVIDER</b>						
TD12-1-FN	15/16" [24 mm]*	12" [205 mm]	19-1/2" [495 mm]	Frosted Nickel	1	2 lbs. [0.9 kg.]
TD12-FN	15/16" [24 mm]*	12" [205 mm]	19-1/2" [495 mm]	Frosted Nickel	10	14.1 lbs. [6.4 kg.]
TD18-1-FN	15/16" [24 mm]*	18" [457 mm]	19-1/2" [495 mm]	Frosted Nickel	1	2.2 lbs. [1.0 kg.]
TD18-FN	15/16" [24 mm]*	18" [457 mm]	19-1/2" [495 mm]	Frosted Nickel	10	17.2 lbs. [7.8 kg.]
TD12-1-W	15/16" [24 mm]*	12" [205 mm]	19-1/2" [495 mm]	White	1	2.0 lbs. [0.9 kg.]
TD12-W	15/16" [24 mm]*	12" [205 mm]	19-1/2" [495 mm]	White	10	14.1 lbs. [6.4 kg.]
TD18-1-W	15/16" [24 mm]*	18" [457 mm]	19-1/2" [495 mm]	White	1	2.2 lbs. [1.0 kg.]
TD18-W	15/16" [24 mm]*	18" [457 mm]	19-1/2" [495 mm]	White	10	17.2 lbs. [7.8 kg.]
<b>IRON HOLDER</b>						
IH-FN	8-1/8" [206 mm]	8-5/16" [211 mm]	5-1/8" [130 mm]	Frosted Nickel	1	0.9 lbs. [0.4 kg.]

\*Width dimension refers to width of fitting.

See page 71 for recommended cabinet dimensions and clearances.

Tel. 800.253.1561  
Fax 877.636.3290  
www.kv.com






GR12-FN



TPH-531-W

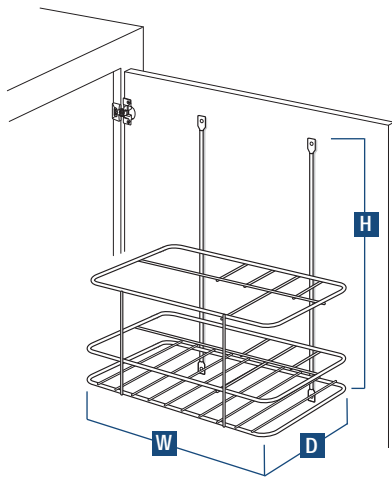
70

## Grooming Rack

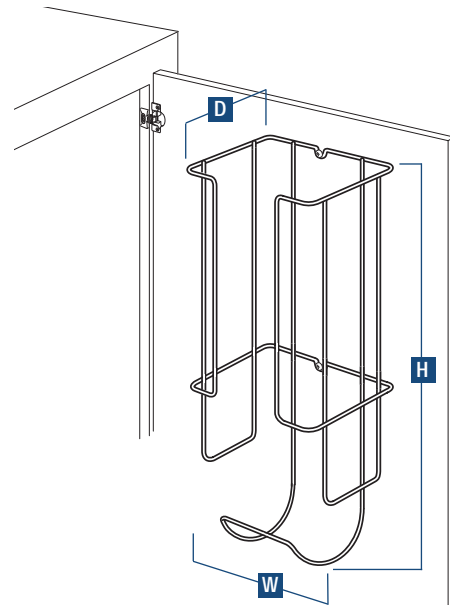
-  NEW KV eco-friendly Frosted Nickel finish
- Door-mounted rack provides storage for one hand-held hair dryer, two cans of hair spray and two curling irons

## Toilet Paper Holder

- Holds 4 rolls and mounts to doors or walls
- Installs easily with two screws



Grooming Rack



Toilet Paper Holder

Stock #	Assembled Product Dimensions			Units per Finish	Weight per Carton	Carton
	W Width	H Height	D Depth			
<b>GROOMING RACK</b>						
GR12-FN	9-3/16" [233 mm]	16-1/2" [419 mm]	5-1/4" [133 mm]	Frosted Nickel	1	2.3 lbs. [1.0 kg.]
<b>TOILET PAPER HOLDERS</b>						
TPH-531-W	5-3/8" [137 mm]	16" [406 mm]	5-1/2" [140 mm]	White	1	1.3 lbs. [0.6 kg.]



Tel. 800.253.1561  
 Fax 877.636.3290  
 www.kv.com

See page 71 for recommended cabinet dimensions and clearances.



# Cabinet Dimensions

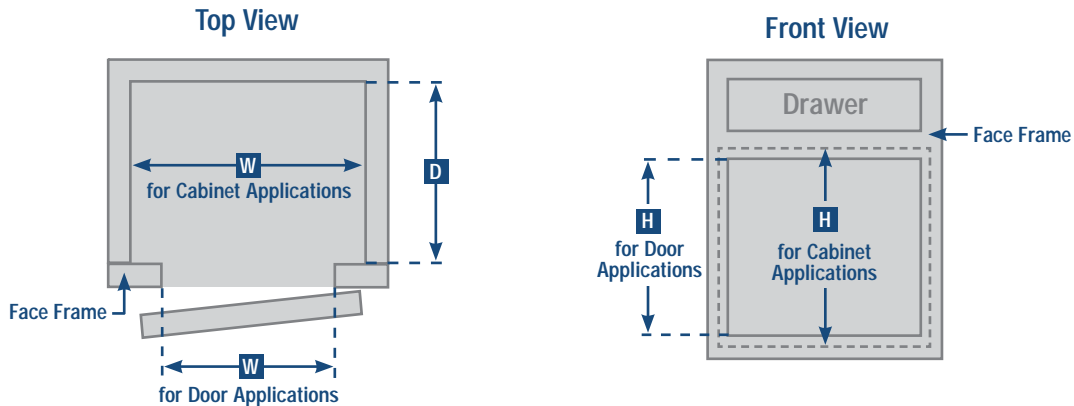
Minimum Interior Cabinet  
OR Door Opening Dimensions

Stock #	W Width	H Height	D Depth
<b>WINE RACKS</b>			
WR23.62-FN	23-7/8" [606 mm]	5-1/16" [129 mm]	-
WR29.62-FN	29-7/8" [759 mm]	5-1/16" [129 mm]	-
WR35.62-FN	35-7/8" [911 mm]	5-1/16" [129 mm]	-
WR41.62-FN	41-7/8" [1064 mm]	5-1/16" [129 mm]	-
<b>STEMWARE HOLDERS</b>			
ST11.50-B	4-1/2" [114 mm]	2-1/2" [64 mm]	11-13/16" [300 mm]
ST11.50-FN	4-1/2" [114 mm]	2-1/2" [64 mm]	11-13/16" [300 mm]
<b>SPICE RACKS</b>			
SR12-FN	9-5/8" [244 mm]	20-1/2" [521 mm]	4-1/8" [105 mm]
SR12-1-FN	9-5/8" [244 mm]	20-1/2" [521 mm]	4-1/8" [105 mm]
SR15-FN	12-3/8" [314 mm]	20-1/2" [521 mm]	4-1/8" [105 mm]
SR15-1-FN	12-3/8" [314 mm]	20-1/2" [521 mm]	4-1/8" [105 mm]
SR18-FN	15" [381 mm]	20-1/2" [521 mm]	4-1/8" [105 mm]
SR18-1-FN	15" [381 mm]	20-1/2" [521 mm]	4-1/8" [105 mm]
SR12-W	9-5/8" [244 mm]	20-1/2" [521 mm]	4-1/8" [105 mm]
SR12-1-W	9-5/8" [244 mm]	20-1/2" [521 mm]	4-1/8" [105 mm]
SR15-W	12-3/8" [314 mm]	20-1/2" [521 mm]	4-1/8" [105 mm]
SR15-1-W	12-3/8" [314 mm]	20-1/2" [521 mm]	4-1/8" [105 mm]
SR18-W	15" [381 mm]	20-1/2" [521 mm]	4-1/8" [105 mm]
SR18-1-W	15" [381 mm]	20-1/2" [521 mm]	4-1/8" [105 mm]

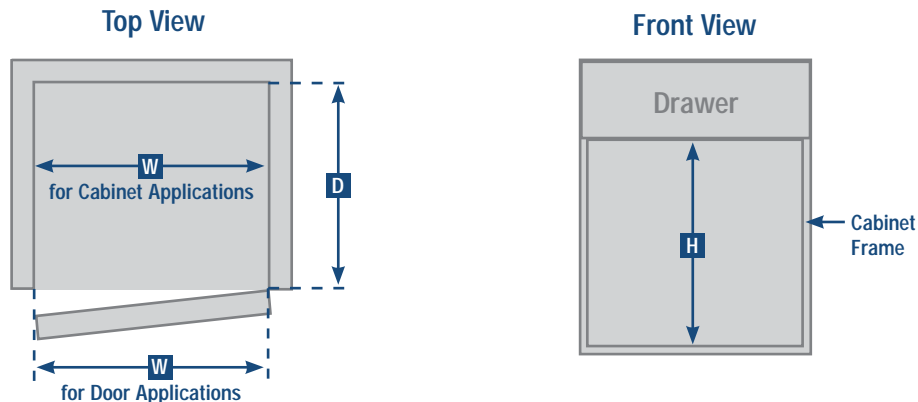
Minimum Interior Cabinet  
OR Door Opening Dimensions

Stock #	W Width	H Height	D Depth
<b>DOOR-MOUNT TOWEL BARS</b>			
TB-1-W	12-15/16" [329 mm]	6" [152 mm]	3-5/8" [92 mm]
TB-FN	12-15/16" [329 mm]	6" [152 mm]	3-5/8" [92 mm]
TB-W	12-15/16" [329 mm]	6" [152 mm]	3-5/8" [92 mm]
<b>UTILITY RACK</b>			
UT9-W	11-3/4" [298 mm]	9-1/2" [241 mm]	6-3/16" [157 mm]
<b>TRAY DIVIDERS</b>			
TD12-1-FN	-	12-3/8" [314 mm]	20-1/8" [511 mm]
TD12-FN	-	12-3/8" [314 mm]	20-1/8" [511 mm]
TD18-1-FN	-	18-3/8" [467 mm]	20-1/8" [511 mm]
TD18-FN	-	18-3/8" [467 mm]	20-1/8" [511 mm]
TD12-1-W	-	12-3/8" [314 mm]	20-1/8" [511 mm]
TD12-W	-	12-3/8" [314 mm]	20-1/8" [511 mm]
TD18-1-W	-	18-3/8" [467 mm]	20-1/8" [511 mm]
TD18-W	-	18-3/8" [467 mm]	20-1/8" [511 mm]
<b>IRON HOLDER</b>			
IH-FN	8-5/8" [219 mm]	length of iron + 1-1/2" [38 mm]	height of iron + 1" [25 mm]
<b>GROOMING RACK</b>			
GR12-FN	11-1/4" [286 mm]	17" [432 mm]	5-1/2" [140 mm]
<b>TOILET PAPER HOLDER</b>			
TPH-531-W	7-7/16" [189 mm]	16-1/2" [419 mm]	5-3/4" [146 mm]

Example of Face-Frame Cabinet and Door Application



Example of Frameless / Euro-Style Cabinet and Door Application



Dimensions shown are recommended minimum cabinet and door dimensions.

Tel. 800.253.1561  
Fax 877.636.3290  
www.kv.com



# Closet Accessories

72

74 Heavy-Duty Round Tubing



76 Oval Tubing



77 Flanges & End Caps



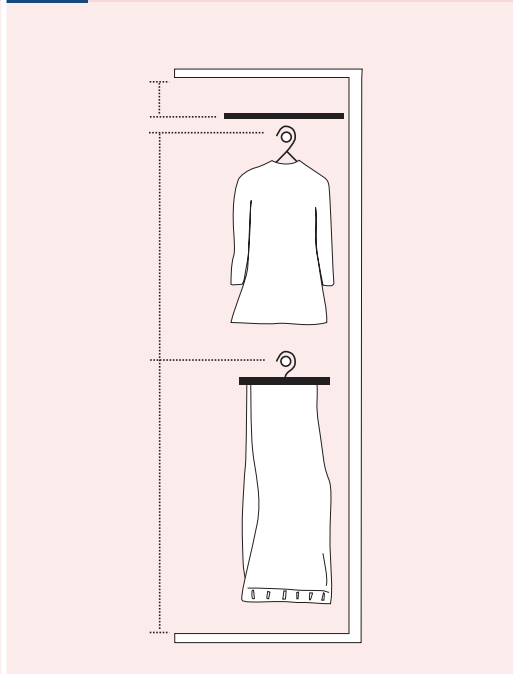


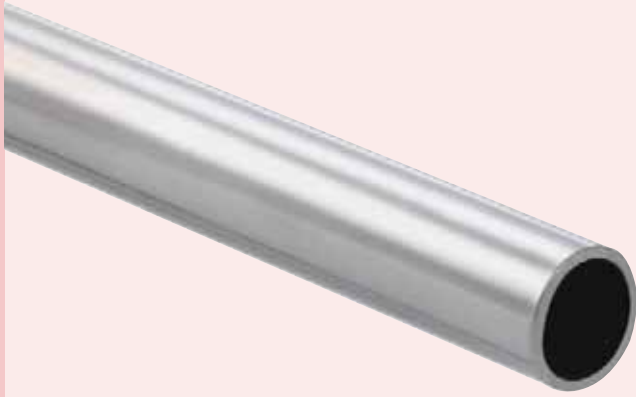
78

Closet Rods

80

Closet Planning





660 Series  
(Stainless Steel finish)

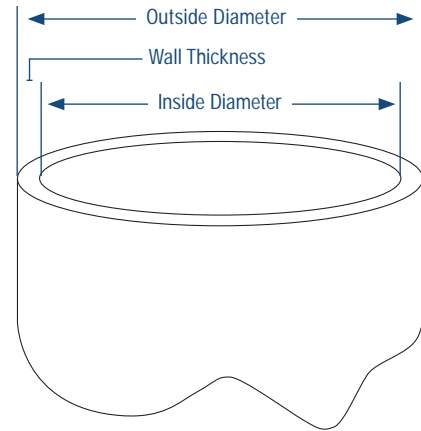
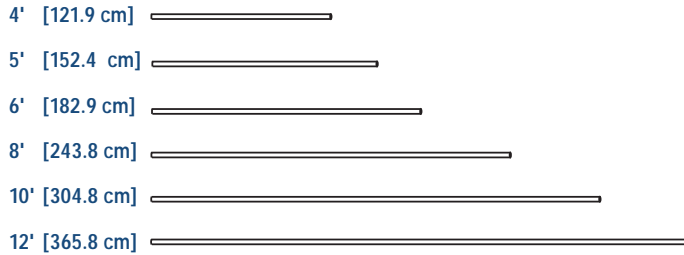


660 Series  
(Brass finish)

## Heavy-Duty Round Tubing | 660 Series

- Steel core with finished wrap
- 2 finishes available
- Commercial grade

### LENGTHS AVAILABLE



Stock #	Length	Outside Diameter	Inside Diameter	Wall Thickness	Finish	Units per Carton	Weight per Carton
<b>660 SERIES (1-1/16" OUTSIDE DIAMETER)</b>							
660 SS 48	4' [121.9 cm]	1-1/16" [27 mm]	29/32" [23 mm]	0.087" [2 mm]	Stainless Steel	6	22 lbs. [10 kg.]
660 SS 60	5' [152.4 cm]	1-1/16" [27 mm]	29/32" [23 mm]	0.087" [2 mm]	Stainless Steel	6	27.5 lbs. [12.5 kg.]
660 SS 72	6' [182.9 cm]	1-1/16" [27 mm]	29/32" [23 mm]	0.087" [2 mm]	Stainless Steel	6	33.3 lbs. [15.1 kg.]
660 SS 96	8' [243.8 cm]	1-1/16" [27 mm]	29/32" [23 mm]	0.087" [2 mm]	Stainless Steel	6	44 lbs. [20 kg.]
660 SS 120	10' [304.8 cm]	1-1/16" [27 mm]	29/32" [23 mm]	0.087" [2 mm]	Stainless Steel	6	55.1 lbs. [24.5 kg.]
660 SS 144	12' [365.8 cm]	1-1/16" [27 mm]	29/32" [23 mm]	0.087" [2 mm]	Stainless Steel	6	63.4 lbs. [28.8 kg.]
660 BR 48	4' [121.9 cm]	1-1/16" [27 mm]	29/32" [23 mm]	0.087" [2 mm]	Brass-look	6	22.3 lbs. [10.1 kg.]
660 BR 60	5' [152.4 cm]	1-1/16" [27 mm]	29/32" [23 mm]	0.087" [2 mm]	Brass-look	6	26.8 lbs. [12.2 kg.]
660 BR 72	6' [182.9 cm]	1-1/16" [27 mm]	29/32" [23 mm]	0.087" [2 mm]	Brass-look	6	32.2 lbs. [14.6 kg.]
660 BR 96	8' [243.8 cm]	1-1/16" [27 mm]	29/32" [23 mm]	0.087" [2 mm]	Brass-look	6	44.8 lbs. [20.3 kg.]
660 BR 120	10' [304.8 cm]	1-1/16" [27 mm]	29/32" [23 mm]	0.087" [2 mm]	Brass-look	6	54.6 lbs. [24.8 kg.]
660 BR 144	12' [365.8 cm]	1-1/16" [27 mm]	29/32" [23 mm]	0.087" [2 mm]	Brass-look	6	66 lbs. [29.9 kg.]



Tel. 800.253.1561  
Fax 877.636.3290  
www.kv.com

See page 80 - 81 for recommended Closet Planning information.



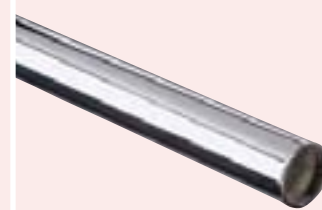
770 1 Series



770 5 Series



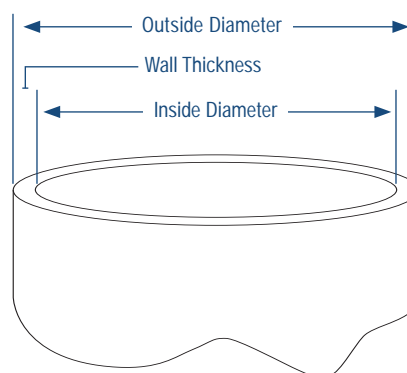
750 1 Series



750 5 Series

## Heavy-Duty Round Tubing | 770 & 750 Series

- Steel construction
- Double plated finish
- Commercial grade



Stock #	Length	Outside Diameter	Inside Diameter	Wall Thickness	Finish	Units per Carton	Weight per Carton
<b>770 1 SERIES (1-1/16" OUTSIDE DIAMETER)</b>							
770 1 48	4' [121.9 cm]	1-1/16" [27 mm]	27/32" [21 mm]	0.106" [3 mm]	Chrome	6	27.8 lbs. [12.6 kg.]
770 1 60	5' [152.4 cm]	1-1/16" [27 mm]	27/32" [21 mm]	0.106" [3 mm]	Chrome	6	35 lbs. [15.9 kg.]
770 1 72	6' [182.9 cm]	1-1/16" [27 mm]	27/32" [21 mm]	0.106" [3 mm]	Chrome	6	41.5 lbs. [18.8 kg.]
770 1 96	8' [243.8 cm]	1-1/16" [27 mm]	27/32" [21 mm]	0.106" [3 mm]	Chrome	6	55.2 lbs. [25 kg.]
770 1 120	10' [304.8 cm]	1-1/16" [27 mm]	27/32" [21 mm]	0.106" [3 mm]	Chrome	6	69.4 lbs. [31.5 kg.]
770 1 144	12' [365.8 cm]	1-1/16" [27 mm]	27/32" [21 mm]	0.106" [3 mm]	Chrome	6	81.5 lbs. [37 kg.]
<b>770 5 SERIES (1-5/16" OUTSIDE DIAMETER)</b>							
770 5 72	6' [182.9 cm]	1-5/16" [33 mm]	1-13/64" [31 mm]	0.106" [3 mm]	Chrome	6	53.4 lbs. [24.4 kg.]
770 5 96	8' [243.8 cm]	1-5/16" [33 mm]	1-13/64" [31 mm]	0.106" [3 mm]	Chrome	6	70.8 lbs. [32.1 kg.]
770 5 120	10' [304.8 cm]	1-5/16" [33 mm]	1-13/64" [31 mm]	0.106" [3 mm]	Chrome	6	87.8 lbs. [39.8 kg.]
770 5 144	12' [365.8 cm]	1-5/16" [33 mm]	1-13/64" [31 mm]	0.106" [3 mm]	Chrome	6	104.9 lbs. [47.6 kg.]
<b>750 1 SERIES (1-1/16" OUTSIDE DIAMETER)</b>							
750 1 72	6' [182.9 cm]	1-1/16" [27 mm]	29/32" [23 mm]	0.075" [2 mm]	Chrome	6	30.6 lbs. [13.9 kg.]
750 1 96	8' [243.8 cm]	1-1/16" [27 mm]	29/32" [23 mm]	0.075" [2 mm]	Chrome	6	41.1 lbs. [18.6 kg.]
750 1 120	10' [304.8 cm]	1-1/16" [27 mm]	29/32" [23 mm]	0.075" [2 mm]	Chrome	6	50.6 lbs. [23 kg.]
750 1 144	12' [365.8 cm]	1-1/16" [27 mm]	29/32" [23 mm]	0.075" [2 mm]	Chrome	6	60.8 lbs. [27.6 kg.]
<b>750 5 SERIES (1-5/16" OUTSIDE DIAMETER)</b>							
750 5 72	6' [182.9 cm]	1-5/16" [33 mm]	1-5/32" [29 mm]	0.075" [2 mm]	Chrome	6	38.1 lbs. [17.3 kg.]
750 5 96	8' [243.8 cm]	1-5/16" [33 mm]	1-5/32" [29 mm]	0.075" [2 mm]	Chrome	6	51.3 lbs. [23.3 kg.]
750 5 120	10' [304.8 cm]	1-5/16" [33 mm]	1-5/32" [29 mm]	0.075" [2 mm]	Chrome	6	62.9 lbs. [28.5 kg.]
750 5 144	12' [365.8 cm]	1-5/16" [33 mm]	1-5/32" [29 mm]	0.075" [2 mm]	Chrome	6	77.2 lbs. [35 kg.]

See page 80 - 81 for recommended Closet Planning information.

Tel. 800.253.1561  
Fax 877.636.3290  
www.kv.com





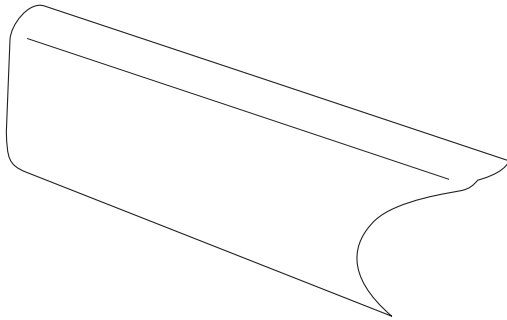
880 Series  
(Chrome finish)



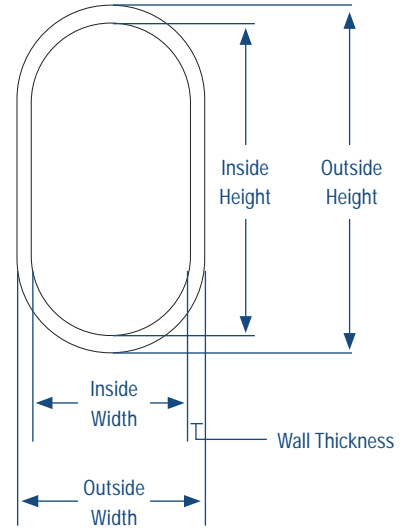
882 Series  
(White finish)

## Oval Tubing

- Steel construction
- Welded seam
- Chrome or White wrap



880



Stock #	Length	OUTSIDE Height	Width	INSIDE Height	Width	Wall Thickness	Units Finish per Carton	Weight per Carton
<b>HEAVY-DUTY OVAL TUBING</b>								
880 CHR 96	8" [10.2 cm]	1-3/16" [30 mm]	19/32" [15 mm]	1-3/32" [28.8 mm]	1/2" [13.8 mm]	[1.2 mm]	Chrome 10	34 lbs. [15.6 kg.]
880 CHR 144	12" [10.2 cm]	1-3/16" [30 mm]	19/32" [15 mm]	1-3/32" [28.8 mm]	1/2" [13.8 mm]	[1.2 mm]	Chrome 10	52.9 lbs. [24 kg.]
<b>OVAL TUBING</b>								
882 WH 96	8" [10.2 cm]	1-3/16" [30 mm]	19/32" [15 mm]	1-1/16" [27 mm]	15/32" [12 mm]	[0.8 mm]	White 10	39.9 lbs. [18.1 kg.]
882 WH 144	12" [10.2 cm]	1-3/16" [30 mm]	19/32" [15 mm]	1-1/16" [27 mm]	15/32" [12 mm]	[0.8 mm]	White 10	58.0 lbs. [26.3 kg.]



Tel. 800.253.1561  
Fax 877.636.3290  
www.kv.com

See page 80 - 81 for recommended Closet Planning information.



730, 731, 732 ANO



734 CHR



735 CHR



764 CHR

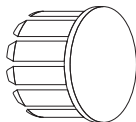


766 CHR

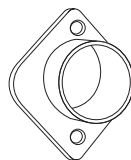


881 CHR

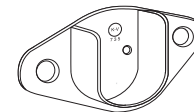
## Flanges & End Caps



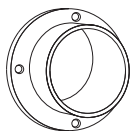
730, 731, 732



734



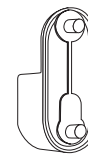
735



764



766



881

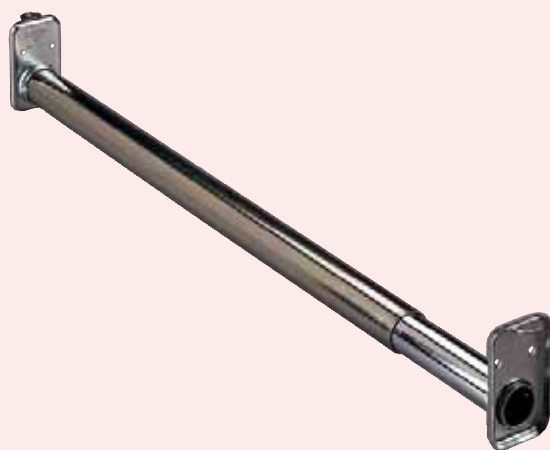
Stock #	Description	Holes	Finish	Units per Carton	Weight per Carton
<b>FLANGES</b>					
734 CHR	Fits 1-1/16" OD round tubing (770 1, 660 & 750 1 series)	2 screw holes on 2" vertical centers	Chrome	50 (w/screws)	5.1 lbs. [2.3 kg.]
734 BR	Fits 1-1/16" OD round tubing (770 1, 660 & 750 1 series)	2 screw holes on 2" vertical centers	Brass	50 (w/screws)	6.1 lbs. [2.8 kg.]
735 CHR	Fits 1-1/16" OD round tubing (770 1, 660 & 750 1 series)	2 screw holes on 2" horizontal centers	Chrome	50 (w/screws)	5.1 lbs. [2.3 kg.]
735 BR	Fits 1-1/16" OD round tubing (770 1, 660 & 750 1 series)	2 screw holes on 2" horizontal centers	Brass	50 (w/screws)	6.1 lbs. [2.8 kg.]
764 CHR	Fits 1-5/16" OD round tubing (770 5 & 770 5 series)	3 holes spaced 1-1/8" from center	Chrome	12 (w/screws)	2.3 lbs. [1 kg.]
766 CHR	Fits 1-5/16" OD round tubing (770 5 & 770 5 series)	3 holes spaced 1-1/8" from center	Chrome	12 (w/screws)	2.5 lbs. [1.1 kg.]
881 CHR	For use with 880 & 882 oval tubing	1 hole for extra mounting strength & 2 - 5mm pins	Chrome	50	2 lbs. [0.9 kg.]

Stock #	Description	Finish	Units per Carton	Weight per Carton
<b>END CAPS</b>				
730 ANO	Fits KV 660 round tubing (1-1/16" OD)	Anochrome	50	0.5 lbs. [0.2 kg.]
731 ANO	Fits 1-1/16" OD round tubing (770 1, 660 & 750 1 series)	Anochrome	50	0.4 lbs. [0.2 kg.]
732 ANO	Fits 1-5/16" OD round tubing (750 5 & 770 5 series)	Anochrome	50	0.7 lbs. [0.3 kg.]

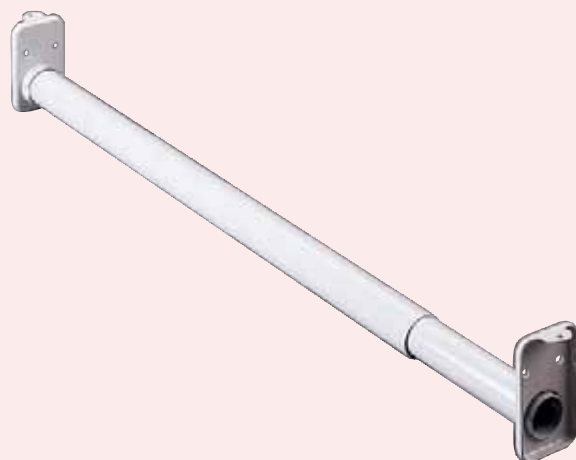
See page 80 - 81 for recommended Closet Planning information.

Tel. 800.253.1561  
Fax 877.636.3290  
www.kv.com





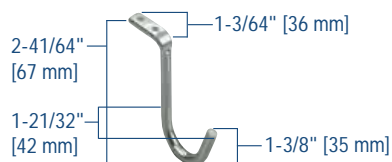
KV2  
(Zinc finish)



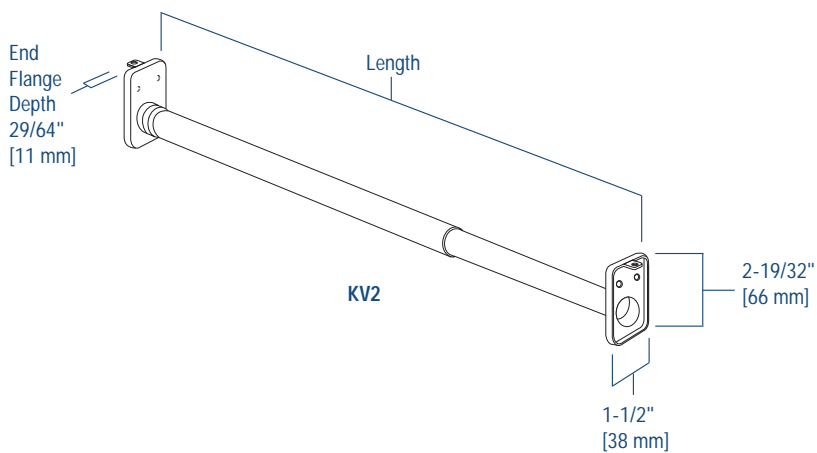
KV2  
(White finish)

## Closet Rods

- Steel construction
- End flanges fixed to rods
- Two piece construction allows for adjustability to varying closet widths



Center Hanger Support for Closet Rods  
(29201 ANO)



Stock #	Length	Finish	Units per Carton	Weight per Carton
<b>CLOSET RODS</b>				
KV2 ZC 18	18 - 30" [45.7 - 76.2 cm]	Zinc	10	8.5 lbs. [3.9 kg.]
KV2 ZC 30	30 - 48" [76.2 - 121.9 cm]	Zinc	10	13.3 lbs. [6 kg.]
KV2 ZC 48	48 - 72" [121.9 - 182.9 cm]	Zinc	10	21 lbs. [9.5 kg.]
KV2 ZC 60	60 - 96" [152.4 - 243.8 cm]	Zinc	10	24.8 lbs. [11.2 kg.]
KV2 ZC 72	72 - 120" [182.9 - 304.8 cm]	Zinc	5	15.3 lbs. [6.9 kg.]
KV2 ZC 96	96 - 144" [243.8 - 365.8 cm]	Zinc	5	19.9 lbs. [9 kg.]
KV2BP ZC 18	18 - 30" [45.7 - 76.2 cm]	Zinc	20	15.1 lbs. [6.8 kg.]
KV2BP ZC 30	30 - 48" [76.2 - 121.9 cm]	Zinc	20	27.5 lbs. [12.5 kg.]
KV2BP ZC 48	48 - 72" [121.9 - 182.9 cm]	Zinc	10	19.1 lbs. [8.7 kg.]
KV2BP ZC 60	60 - 96" [152.4 - 243.8 cm]	Zinc	10	24.4 lbs. [11.1 kg.]
KV2BP ZC 96	72 - 120" [182.9 - 304.8 cm]	Zinc	10	20.79 lbs. [9.4 kg.]
KV2 WH 18	18 - 30" [45.7 - 76.2 cm]	White	10	8.8 lbs. [4 kg.]
KV2 WH 30	30 - 48" [76.2 - 121.9 cm]	White	10	13.6 lbs. [6.2 kg.]
KV2 WH 48	48 - 72" [121.9 - 182.9 cm]	White	10	18.9 lbs. [8.6 kg.]
KV2 WH 60	60 - 96" [152.4 - 243.8 cm]	White	10	25.3 lbs. [11.5 kg.]
<b>CENTER HANGER SUPPORT</b>				
29201 ANO	Center Hanger Support for fully extended 72" [182.9 cm] and 96" [243.8 cm] rods	Anochrome	12	1.14 lbs. [0.5 kg.]



Tel. 800.253.1561  
Fax 877.636.3290  
www.kv.com

See page 80 - 81 for recommended Closet Planning information.





## Closet Planning

All closets are essentially custom projects, because individual storage needs differ. However, there are some elements that all closets have in common.

There are two basic types of closets: walk-in and reach-in. Walk-in closets typically are found in the master bedroom suite. They vary in size and shape depending on the home layout. Typical shapes of walk-ins include square, rectangle, square notch and L-shaped. Reach-in closets are typically found in children/guest bedrooms, or along hallways, and are rectangle-shaped.

### Walk-In Closet

There are no standard dimensions for the walk-in closet, but there are general guidelines that are essential in planning a closet in this format. You will need a minimum of 2 feet of space for the closet door. Pocket doors are recommended to give the most unrestricted access to clothing. When planning overall dimensions, the minimal path through the closet should be approximately 30 inches. The overall width should be a minimum 6 feet, 6 inches to allow for hanging space on both walls.

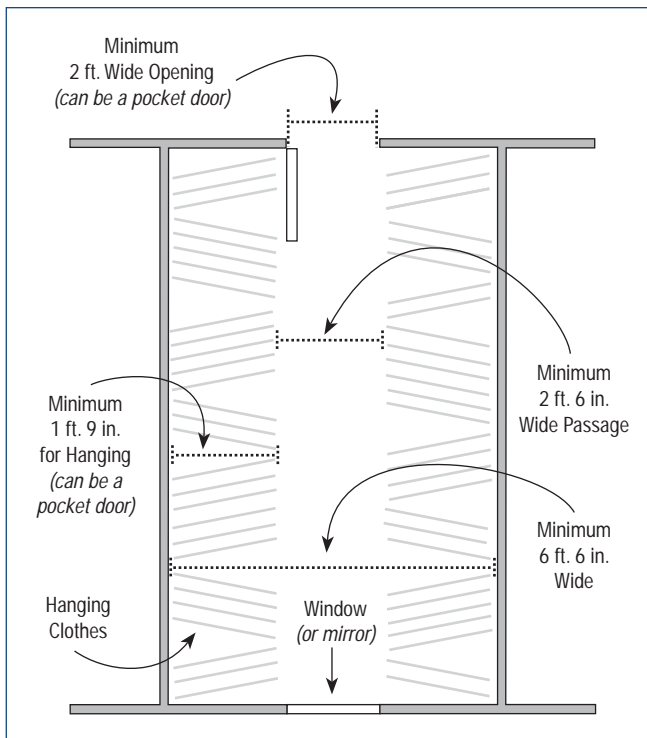
It is helpful to think of the walk-in as a combination of reach-in closets. Measure each wall separately. Plan storage one wall at a time using corner shelving or hang rods to make the most of the space. If the closet is shared, plan one wall for each person with the back wall shared or used by the person who needs more space.

### Reach-In Closet

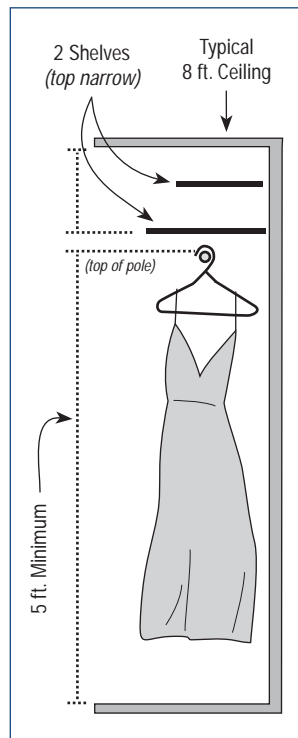
Reach-in closets are typically long rectangles measuring 48 inches long and larger. A typical reach-in closet is approximately 6 feet long, 8 feet high, 24 inches deep with an 80-inch-high door opening. Reach-in closets are very practical for a single occupant. They allow for easy viewing and access of all contents. Accessories and baskets work well in them.

For a reach-in closet with bi-fold doors, it's best to place a basket section in the center of the closet for maximum accessibility. For a closet with sliding doors, put the baskets on either end of the closet.

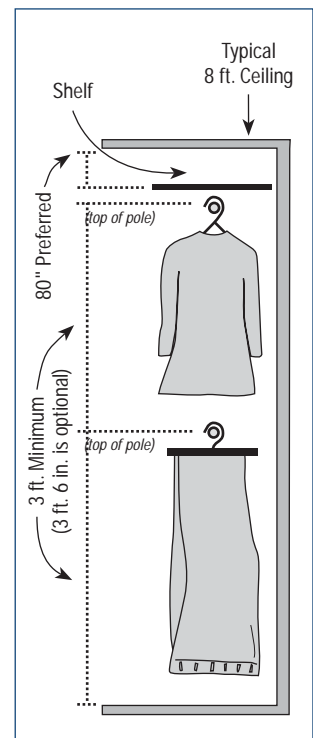
### Walk-In Closet Dimensions



### Single Pole



### Double Pole



## Space Planning

Take inventory of what you will store in the closet area. The amount and types of clothing are essential information for proper planning. Below are general dimensions required by different types of clothing. Keep in mind that storage needs can change and flexibility is essential in designing a closet.

### Women's

<i>Dress</i> .....	68" long
<i>Robe</i> .....	52" long
<i>Jacket</i> .....	36" long
<i>Blouse (on hanger)</i> .....	34" long
<i>Blouse (folded)</i> .....	10" wide, 13" long
<i>Skirt</i> .....	36" long
<i>Shoes</i> .....	6" wide, 9-1/2" long
<i>Sweater (folded)</i> .....	10" wide, 14" long

### Men's

<i>Suit Coats</i> .....	12" wide, 38" long
<i>Shirts (six on hangers)</i> .....	12" wide, 38" long
<i>Shirt (folded)</i> .....	8" wide, 14" long
<i>Pants (straight on hanger)</i> .....	44" long
<i>Pants (folded on hanger)</i> .....	27" long
<i>Dress Hat</i> .....	6" x 11"
<i>Shoes</i> .....	9" wide, 12" long
<i>Boots</i> .....	9" wide, 12" long

## Hanging Items

Short hanging items, such as skirts, blouses and pants, fold over hangers and therefore require rods attached 30 to 40 inches from the floor. A typical closet can include two levels of hanging rods. As a rule, place the top rod 80 to 82 inches up from the floor, the bottom rod about 40 inches up.

For a single rod application, plan 60 inches from the floor for placement. You will need at least 1 foot, 9 inches (24 inches is standard) away from the back wall for hanging. When spanning an opening of more than 48 inches, consider adding a center support to the closet rod for added stability. The same general rules apply to kids' closets. For young children who don't have a lot of hanging items, plan on one rod at 36 to 40 inches off the floor. This allows youngsters to reach their clothes.

## Helpful Hints

- Maximize space. Few people own many items that require a 64-inch high rod. Dedicate a smaller space between 1 foot and 2 feet for these items. All other clothing can be hung in a double-rod application, thereby allowing more in a smaller space.
- Design for visibility. Plan the closet so socks, ties and underwear can be viewed when dressing.
- Beware of cedar. Cedar closets do keep moths away, but the cedar scent can permeate adjacent spaces. Plan for a cedar closet in the basement or with an extra door.
- Think about lighting. You need to be able to see clothes to make decisions when getting dressed. Overhead natural light is preferred but if it is not available, good fluorescent lighting is often the only code-compliant solution.
- Use the vertical dimension. Take advantage of all available space, up to the ceiling and down to the floor. Bins on high shelves, roll-out boxes that sit on the floor, even a third pull-down closet rod if your ceiling is over 9 feet, are ideal for storing items that aren't frequently used.



1475E-W	36	BP10-FN	55	ESF22W-W	40
1475-W	36	BP10-W	55	ESF25-W	39
1775E-W	36	BP11CM-FNW	51	ESF25W-W	40
1775-W	36	BP11CM-W	54	ESF28-W	39
2075E-W	36	BP12-FN	55	ESF28W-W	40
2075-W	36	BP12-W	55	ESF31-W	39
29201 ANO	78	BP14CM-FNW	51	ESF31W-W	40
660 BR 120	74	BP14CM-W	54	ET-H-N	44
660 BR 144	74	BP17CM-FNW	51	FR24STM-FN	25
660 BR 48	74	BP17CM-W	54	FR24STM-W	25
660 BR 60	74	BP20CM-FNW	51	FR28STM-FN	25
660 BR 72	74	BP20CM-W	54	FR28STM-W	25
660 BR 96	74	BP4-FN	55	GR12-FN	70
660 SS 120	74	BP4-W	55	GUSB11-FN	58
660 SS 144	74	BP5-FN	55	GUSB14-FN	58
660 SS 48	74	BP5CM-FNW	51	H1215-W	60
660 SS 60	74	BP5CM-W	54	H1218-W	60
660 SS 72	74	BP5-W	55	H1515-W	60
660 SS 96	74	BP6-FN	55	H1518-W	60
730 ANO	77	BP6-W	55	HAL-20	59
731 ANO	77	BP7-FN	55	HAL-BSKT	59
732 ANO	77	BP7-W	55	HM25-FN	26
734 BR	77	BP8-FN	55	HM25G-FN	26
734 CHR	77	BP8CM-FNW	51	HM25G-W	26
735 BR	77	BP8CM-W	54	HM25-W	26
735 CHR	77	BP8-W	55	HM28-FN	26
750 1 120	75	BP9-FN	55	HM28G-FN	26
750 1 144	75	BP9-W	55	HM28G-P	26
750 1 72	75	BSC10-1-35PT	8	HM28G-W	26
750 1 96	75	BSC10-1-35WH	8	HM28-W	26
750 5 120	75	BSC12-1-50PT	8	HM30-W	26
750 5 144	75	BSC12-1-50WH	8	HM34-FN	26
750 5 72	75	BSC12-2-27WH	8	HM34G-FN	26
750 5 96	75	BSC15-1-20PT	8	HM34G-W	26
764 CHR	77	BSC15-1-20WH	8	HM34-W	26
766 CHR	77	BSC15-2-20PT	8	HN-F-TEL-PT	28
770 1 120	75	BSC15-2-20WH	8	HN-F-TEL-PT-5	28
770 1 144	75	BSC15-2-35PT	8	HN-K-TEL-PT	28
770 1 48	75	BSC15-2-35WH	8	HN-K-TEL-PT-5	28
770 1 60	75	BSC15-3-20PT	8	HP-XSF-EC-20-W	43
770 1 72	75	BSC15-3-20WH	8	HUB-PIN	27
770 1 96	75	BSC24-4-27WH	8	HWR WS 10 0425	28
770 5 120	75	BSC9-1-20PT	8	HWR WS BLK 10	28
770 5 144	75	BSC9-1-20WH	8	HWR WS BLK 10-D	28
770 5 72	75	COS12-W	37	HWR-WFS-1-PC	28
770 5 96	75	COS2075-W	37	HWR-WFS-1SET-W	28
880 CHR 144	76	DWB975-W	13	HWR-WKS-1-PC	28
880 CHR 96	76	ESF10-W	39	HWR-WKS-1SET-W	28
881 CHR	77	ESF10W-W	40	HWR-WS-1-DWL	28
882 WH 144	76	ESF11W-W	40	IH-FN	69
882 WH 96	76	ESF13-W	39	KV2 WH 18	78
B1700-W	57	ESF13W-W	40	KV2 WH 30	78
BBCS-L-15-FN	52	ESF14-W	39	KV2 WH 48	78
BBCS-R-15-FN	52	ESF14W-W	40	KV2 WH 60	78
BBCT-L-15-FN	52	ESF16-W	39	KV2 ZC 18	78
BBCT-R-15-FN	52	ESF16W-W	40	KV2 ZC 30	78
BCO2456DM-W	56	ESF19-W	39	KV2 ZC 48	78
BCO2456-W	56	ESF19W-W	40	KV2 ZC 60	78
BCO20E-W	56	ESF22-W	39	KV2 ZC 72	78



KV2 ZC 96	78	PFN32SBT-W	22	PSW-HANDLE10-WH	11
KV2BP ZC 18	78	PFN32ST-W	22	PSW-HANDLE12-PT	11
KV2BP ZC 30	78	PHM28GG-W	24	PSW-HANDLE12-WH	11
KV2BP ZC 48	78	PHM28PG-W	24	PSW-HANDLE15-PT	11
KV2BP ZC 60	78	PHM28PP-W	24	PSW-HANDLE15-WH	11
KV2BP ZC 96	78	PHM34GG-W	24	PSW-HANDLE9-PT	11
LS-UNIMNT-AA	27	PHM34PG-W	24	PSW-HANDLE9-WH	11
LS-UNIMNT-DWL	27	PHM40GG-W	24	QT20LB-PT	14
MH1215-W	60	PHM40PG-W	24	QT20LB-W	14
MU11-W	58	PKN18SBT-W	22	QT20PB-PT	14
MU14-W	58	PKN18ST-W	22	QT20PB-WH	14
P1875CM-FN	51	PKN24SBT-W	22	QT27PB-W	14
P1875CM-W	54	PKN24ST-W	22	QT32PB-W	14
P2500CM-FN	51	PKN28SBT-W	22	QT35LB-PT	14
P2500CM-W	54	PKN28ST-W	22	QT35LB-W	14
P4250CM-FN	51	PKN32SBT-W	22	QT35PB-PT	14
P4250CM-W	54	PKN32ST-W	22	QT35PB-WH	14
P4250FE-FN	55	PLC-BR-C-10	27	QT50PB-P	14
P4250FE-W	55	PLC-BROS-C-10	27	QT50PB-W	14
P4650CM-FN	51	PPN24SB-W	23	QT60PB-W	14
P4650CM-W	54	PPN24S-W	23	RH7G-W	27
P4650FE-FN	55	PPN28SB-W	23	RRC28K-W	12
P4650FE-W	55	PPN28S-W	23	RRC28PT-W	12
P5050FE-W	55	PRC12-2-27-W	10	SDG1088-1-W	38
P5450CM-FN	51	PRC24-4-27-W	10	SDG1088-W	38
P5450CM-W	54	PSF11-A	41	SDG5800-1-W	38
P5450FE-FN	55	PSF11-PF-SH-2-W	42	SDG5800-W	38
P5450FE-W	55	PSF11-PF-W	41	SDS-FR-28-FNW	20
P6500FE-W	55	PSF11RS-A	41	SDS-KD-28-FNW	20
P793 ANO	61	PSF11RS-W	41	SF10	39
PAN1700TM-FN	50	PSF11SH-2-W	42	SF10W	40
PC24STM-FN	25	PSF11-W	41	SF11	39
PC24STM-W	25	PSF11W-W	43	SF11W	40
PC28STM-FN	25	PSF14-A	41	SF13	39
PC28STM-W	25	PSF14-PF-A	41	SF13W	40
PC32STM-FN	25	PSF14-PF-SH-2-W	42	SF14	39
PC32STM-W	25	PSF14-PF-W	41	SF14W	40
PDMKTPT	11	PSF14RS-A	41	SF16	39
PDMKTWH	11	PSF14RS-W	41	SF16W	40
PDMSH15-1-60-W	60	PSF14SH-2-W	42	SF19	39
PDMTM115-1-35WH	9	PSF14-W	41	SF19W	40
PDMTM12-1-35WH	9	PSF14W-A	43	SF22	39
PDMTM145-1-50WH	9	PSF14W-W	43	SF22W	40
PDMTM15-2-35WH	9	PSF2425-A	41	SF25	39
PDMTM175-2-35WH	9	PSF2425-W	41	SF25W	40
PDMTM18-2-35WH	9	PSF3025-A	41	SF28	39
PDMTM21-2-35WH	9	PSF3025-W	41	SF28W	40
PDN22S5T-W	23	PSF8.62SH-2-W	42	SF31	39
PDN22ST-W	23	PSF8.62-W	41	SF31W	40
PFN18S3T-W	22	PSH15-1-60-W	60	SH-10	44
PFN18SBT-W	22	PSW10-1-35WH	10	SH-1-S/P	44
PFN18ST-W	22	PSW12-1-50-W	10	SH-40	44
PFN20S3T-W	22	PSW15-1-20WH	10	SPICETRAY10	38
PFN20SBT-W	22	PSW15-1-35WH	10	SPICETRAY13	38
PFN20ST-W	22	PSW15-2-20WH	10	SPICETRAY16	38
PFN24SBT-W	22	PSW15-2-35WH	10	SPICETRAY19	38
PFN24ST-W	22	PSW15-3-20WH	10	SPS21-FN	53
PFN28SBT-W	22	PSW9-1-20WH	10	SR12-1-FN	67
PFN28ST-W	22	PSW-HANDL10-PT	11	SR12-1-W	67

SR12-FN	67	TO1710-1-W	60	USC12-1-35PT	6
SR12-W	67	TO1710-W	60	USC12-1-35WH	6
SR15-1-FN	67	TO1713-1-W	60	USC12-1-50PT	6
SR15-1-W	67	TO1713-W	60	USC12-1-50WH	6
SR15-FN	67	TO1716-1-W	60	USC15-2-35PT	6
SR15-W	67	TO1716-W	60	USC15-2-35WH	6
SR18-1-FN	67	TPH-531-W	70	UT1217-W	37
SR18-1-W	67	TSC12-1-35PT	7	UT1517-W	37
SR18-FN	67	TSC12-1-35WH	7	UT1817-W	37
SR18-W	67	TSC15-1-35PT	7	UT9-W	68
ST11.50-FN	66	TSC15-1-35WH	7	VBA11-3-FN	56
ST11.50-B	66	TSC15-1-50PT	7	VBA11-3-W	56
TB-1-W	68	TSC15-1-50WH	7	VBA14-3-W	56
TB-3P-W	61	TSC15-2-35PT	7	WAL13.5-1	59
TB-FN	68	TSC15-2-35WH	7	WAL16.5-1	59
TB-W	68	TSC18-2-35PT	7	WFS18ST-PLYWD	21
TD12-1-FN	69	TSC18-2-35WH	7	WFS24ST-PLYWD	21
TD12-1-W	69	TW1217-1-W	36	WFS28ST-PLYWD	21
TD12-FN	69	TW1217-W	36	WFS32ST-PLYWD	21
TD12-W	69	TW1517-1-W	36	WKS24ST-PLYWD	21
TD18-1-FN	69	TW1517-W	36	WKS28ST-PLYWD	21
TD18-1-W	69	TW1817-1-W	36	WKS32ST-PLYWD	21
TD18-FN	69	TW1817-W	36	WR23.62-FN	66
TD18-W	69	TW850-1-W	36	WR29.62-FN	66
TDR06-W	57	TW850-W	36	WR35.62-FN	66
TDR09-W	57	USB11TM-W	58	WR41.62-FN	66
TDRO-FNW-6	53	USB11-W	58	XSF34-10-W	43
TDRO-FNW-9	53	USB14TM-W	58	XSF72-10-W	43
TM32-W	13	USB14-W	58		

### Lifetime Limited Warranty

Knap & Vogt® products have been recognized as world-wide leaders for their innovative design and quality construction. Our exclusive Limited Lifetime Warranty means that your Knap & Vogt® products are covered against defects in materials and workmanship. If a problem occurs with your Knap & Vogt® product as a result of normal use, contact Knap & Vogt® directly. This warranty is limited to providing a replacement product.

### Worldwide Distribution

Knap & Vogt® brings more than a century of experience to the design, manufacture and distribution of functional hardware, storage-related components, and ergonomic products for original equipment manufacturers, specialty distributors, office furniture dealers, hardware chains and major home centers throughout the United States and the world. Contact your local representative for more details regarding our worldwide distribution network.

### Meets or Exceeds Industry Standards

Knap & Vogt® manufactured products are held to high industry standards, including those established by BIFMA (Business and Institutional Manufacturers Association), BHMA (Builders Hardware Manufacturers Association) and KCMA (Kitchen Cabinet Manufacturers Association). Contact your local representative for more details on how these standards apply to your Knap & Vogt® product of interest.

### Dealer Location Information, Customer Service and Literature Requests

#### UNITED STATES

Knap & Vogt®  
2700 Oak Industrial Dr. NE, Grand Rapids, MI USA 49505  
Tel: 1.800.253.1561 | 616.459.3311  
Fax: 877.636.3290  
www.kv.com

#### CANADA

Knap & Vogt®  
265 Export Blvd., 2nd Floor, Mississauga, ON L5S 1Y4  
Tel: 905.676.8166  
Fax: 905.676.8972  
www.kv.com







2700 Oak Industrial Dr. NE  
Grand Rapids, MI 49505-6026 USA  
Tel: 1.800.253.1561 | 616.459.3311  
Fax: 877.636.3290  
[www.kv.com](http://www.kv.com)