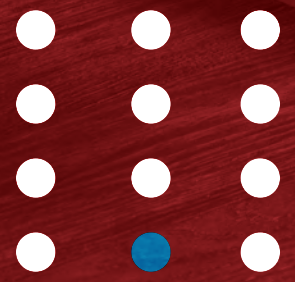


LAZY SUSAN

20/21.

Standing the test of time, Rev-A-Shelf's Lazy Susan line is revered as the best in the industry with exceptional quality, unfaltering durability, and premium selection! Our extensive collection of Lazy Susans includes Full Circle, Kidney, D-Shape, Pie Cut, and Half Moon designs to accommodate any cabinet shape. With sizes ranging from 10" to 32" and your choice of polymer, wood, or wire, you are sure to find the perfect Susan for any cabinet size or style. The bottom line- we know Lazy Susans! Next time you are specifying a Lazy Susan, call on the brand you can trust for superior quality and the brand that started it all: Rev-A-Shelf!



PROP 65 WARNING FOR CALIFORNIA RESIDENTS
WARNING: This product can expose you to chemicals such as formaldehyde, lead or PVC, which are known to the State of California to cause cancer and birth defects or other reproductive harm. For more information go to www.P65Warnings.ca.gov



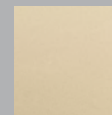
POLYMER LAZY SUSANS

THE MOST COMPLETE LINE IN THE INDUSTRY!



LAZY DAISY

- Molded Polymer Hub
- Patented Snap Pin Hardware
- Ribbed Tray Surface
- Available in Almond and White

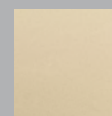


Good



VALUE LINE

- Molded Polymer Hub
- Polymer Hardware
- Twist-n-Lock Post System
- Smooth Tray Surface
- Available in Almond and White

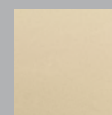


Better



RAS ORIGINAL

- Chrome Hubs
- Metal/Cast Hardware
- Dependent/Independently Rotating Post Systems
- Available in Almond and White



Best



Rev-A-Shelf's Lazy Susans are tested to exceed BHMA Class 1 Specs: 20 lbs. per square foot at 75K cycles.



All of our lazy susans are manufactured using high quality materials and are backed by a limited Lifetime Warranty. We have developed a tiered category system that will allow you to quickly identify which configuration will give you the features you want, with the value you require.

Full Circle			
Size	Lazy Daisy	Value Line	RAS
16"			•
18"	•	•	•
20"		•	•
24"	•	•	•
28"	•	•	•
32"	•		•
Kidney			
18"	•		•
24"	•	•	•
28"	•	•	•
32"	•	•	•
Pie Cut			
18"	•		•
24"	•		•
28"	•		•
D-Shaped			
20"			•
22"			•
32"	•		•
Half Moon			
31"			•
33"			•
39"			•
Hardware			
Size	Lazy Daisy	Value Line	RAS
Telescoping Post	•	•	•
Twist-n-Lock Post		•	
Bottom Mount	•	•	•
Shelf Support			
Snap Pin	•		
Metal/Die Components			•
Polymer Components	•	•	
Hub			
Molded Hub	•	•	
Chrome Hub			•
Information			
	Lazy Daisy	Value Line	RAS
Part Numbers/Pricing	342	346	350
Specifications	344	349	355



Lazy Susan

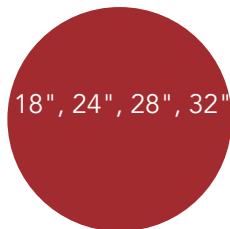
Polymer Lazy Daisy

- Unique patented snap pin design
- Ribbed tray surface
- Molded polymer hubs
- Independently rotating
- Almond and white
- Polypropylene material
- US Patent No's:
5,312,003 & 5,494,346

For part number and pricing see page 342. See page 344 for specifications.



Tray Configurations



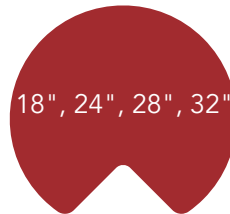
18", 24", 28", 32"

Full Circle



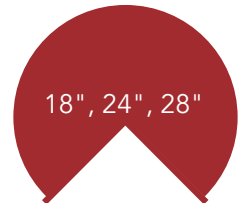
32"

D-Shaped



18", 24", 28", 32"

Kidney Shaped

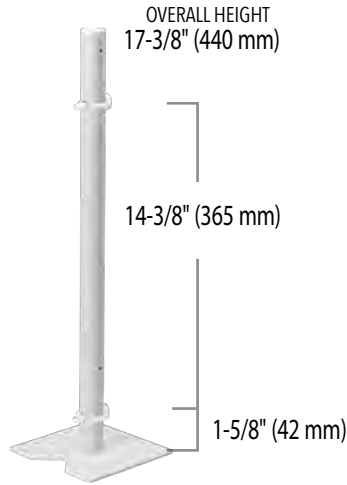


18", 24", 28"

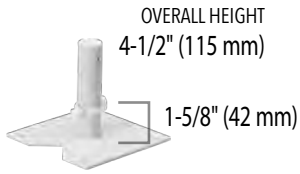
Pie Cut

Unique Snap Pin Design

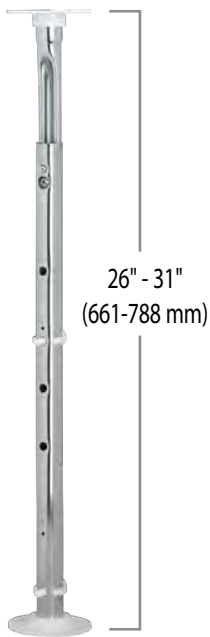
U.S. Patent Nos. 5,312,003; 5,494,346; RE 39,917 E



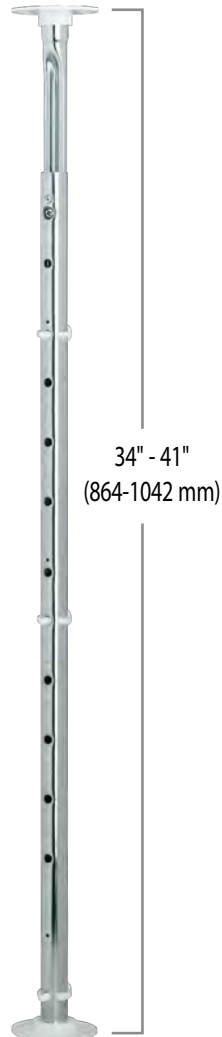
LD-20/22/24BM2-04



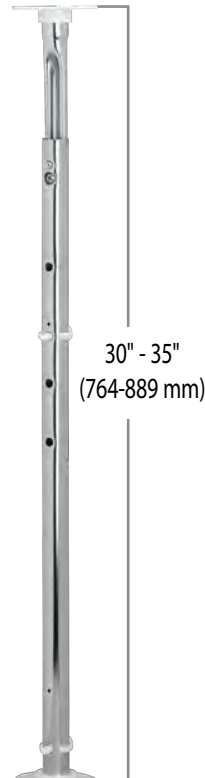
LD-20/22/24BM1-04



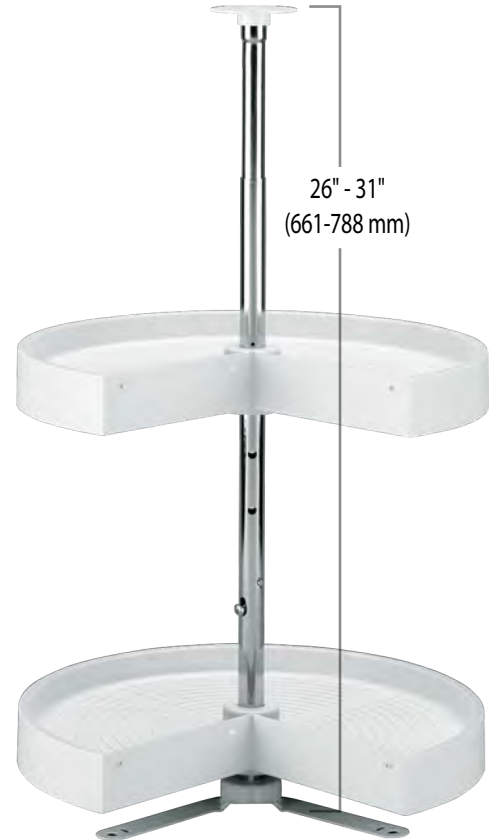
LD-20-04-5



LD-20-0436



LD-20-0431



LD-29-04

Hardware

Size	Lazy Daisy	Value Line	RAS
Telescoping Post	•	•	•
Twist-n-Lock Post		•	
Bottom Mount	•	•	•

Shelf Support

Snap Pin	•		
Metal/Die Components			•
Polymer Components	•	•	

Hub

Molded Hub	•	•	
Chrome Hub			•

FULL CIRCLE SHELF



Bottom Mount Polymer Lazy Daisy w/ Hardware

PRODUCT	DESCRIPTION	DIMS	FINISH	SLP
LD-2061-18BM-**-1	Single Shelf	18" Diameter (457 mm)	Polymer	\$41.10
LD-2061-24BM-**-1	Single Shelf	24" Diameter (610 mm)	Polymer	\$48.65
LD-2061-28BM-**-1	Single Shelf	28" Diameter (711 mm)	Polymer	\$54.00
LD-2061-32BM-**-1	Single Shelf	32" Diameter (813 mm)	Polymer	\$61.55

(2) Shelf Bottom Mount Polymer Lazy Daisy w/ Hardware

LD-2062-18BM-**-1	(2) Shelf Set	18" Diameter (457 mm)	Polymer	\$59.55 ea.
LD-2062-24BM-**-1	(2) Shelf Set	24" Diameter (610 mm)	Polymer	\$75.80 ea.
LD-2062-28BM-**-1	(2) Shelf Set	28" Diameter (711 mm)	Polymer	\$85.80 ea.
LD-2062-32BM-**-1	(2) Shelf Set	32" Diameter (813 mm)	Polymer	\$103.50 ea.

(2) Shelf Polymer Lazy Daisy w/ 26"-31" Telescoping Post

LD-2062-18-**-1	(2) Shelf Set	18" Diameter (457 mm)	Polymer	\$60.50
LD-2062-24-**-1	(2) Shelf Set	24" Diameter (610 mm)	Polymer	\$78.35
LD-2062-28-**-1	(2) Shelf Set	28" Diameter (711 mm)	Polymer	\$89.80
LD-2062-32-**-1	(2) Shelf Set	32" Diameter (813 mm)	Polymer	\$106.95 ea.

(3) Shelf Polymer Lazy Daisy w/ 31"-41" Telescoping Post

LD-2063-1836-**-1	(3) Shelf Set	18" Diameter (457 mm)	Polymer	\$93.45 ea.
-------------------	---------------	-----------------------	---------	-------------

FULL CIRCLE SHELF BULK



Polymer Lazy Daisy- No Hardware

PRODUCT	DESCRIPTION	DIMS	FINISH	SLP
LD-2001-18-**-10	(10) Single Shelves	18" Diameter (457 mm)	Polymer	\$17.10 ea.
LD-2001-24-**-10	(10) Single Shelves	24" Diameter (610 mm)	Polymer	\$24.50 ea.
LD-2001-28-**-10	(10) Single Shelves	28" Diameter (711 mm)	Polymer	\$29.70 ea.
LD-2001-32-**-10	(10) Single Shelves	32" Diameter (813 mm)	Polymer	\$37.85 ea.

Snap Pin Hardware

LD-20-0431-5	(5) 30-35" Telescoping Posts		Zinc/White	\$32.25 ea.
LD-20-0436-5	(5) Standard 39" Posts		Zinc/White	\$35.65 ea.
LD-20-04-5	(5) 26-31" Telescoping Posts		Zinc/White	\$19.80 ea.
LD-20BM1-04-10	(10) Bottom Mount		Zinc/White	\$14.10 ea.
LD-20BM2-04-5	(5) Bottom Mount		Zinc/White	\$18.25 ea.

PIE CUT SHELF



(Attaches to the cabinet door)

(2) Shelf Polymer Lazy Daisy w/ 26"-31" Telescoping Post

PRODUCT	DESCRIPTION	DIMS	FINISH	SLP
LD-2942-18-**-1	(2) Shelf Set	18" Diameter (457 mm)	Polymer	\$88.70
LD-2942-24-**-1	(2) Shelf Set	24" Diameter (610 mm)	Polymer	\$94.95
LD-2942-28-**-1	(2) Shelf Set	28" Diameter (711 mm)	Polymer	\$116.85

PIE CUT SHELF BULK



(Attaches to the cabinet door)

Polymer Lazy Daisy- No Hardware

PRODUCT	DESCRIPTION	DIMS	FINISH	SLP
LD-2901-18-**-10	(10) Single Shelves	18" Diameter (457 mm)	Polymer	\$21.45 ea.
LD-2901-24-**-10	(10) Single Shelves	24" Diameter (610 mm)	Polymer	\$27.10 ea.
LD-2901-28-**-10	(10) Single Shelves	28" Diameter (711 mm)	Polymer	\$39.60 ea.

Hardware

LD-29-04-18-5	(5) LD Hdw for Polymer 18" Pie Cut w/26-31" Telescoping Post		Zinc/White	\$41.30 ea.
LD-29-04-5	(5) LD Hdw for Polymer 24" & 28" Pie Cut w/26-31" Telescoping Post		Zinc/White	\$43.45 ea.

KIDNEY SHELF



Hinged door; Not attached

(2) Shelf Polymer Lazy Daisy w/ 26"-31" Telescoping Post

PRODUCT	DESCRIPTION	DIMS	FINISH	SLP
LD-2472-18-**-1	(2) Shelf Set	18" Diameter (457 mm)	Polymer	\$61.55
LD-2472-24-**-1	(2) Shelf Set	24" Diameter (610 mm)	Polymer	\$76.35
LD-2472-28-**-1	(2) Shelf Set	28" Diameter (711 mm)	Polymer	\$92.15
LD-2472-32-**-1	(2) Shelf Set	32" Diameter (813 mm)	Polymer	\$112.15

(2) Shelf Bottom Mount Polymer Lazy Daisy w/ Hardware

LD-2472-18BM-**-1	(2) Shelf Set	18" Diameter (457 mm)	Polymer	\$61.30
LD-2472-24BM-**-1	(2) Shelf Set	24" Diameter (610 mm)	Polymer	\$72.15
LD-2472-28BM-**-1	(2) Shelf Set	28" Diameter (711 mm)	Polymer	\$83.90
LD-2472-32BM-**-1	(2) Shelf Set	32" Diameter (813 mm)	Polymer	\$106.55

(3) Shelf Bottom Mount Polymer Lazy Daisy w/ 31"-41" Telescoping Post

LD-2473-1836-**-1	(3) Shelf Set	18" Diameter (457 mm)	Polymer	\$94.75
-------------------	---------------	-----------------------	---------	---------

KIDNEY SHELF BULK



Hinged door; Not attached

Polymer Lazy Daisy- No Hardware

PRODUCT	DESCRIPTION	DIMS	FINISH	SLP
LD-2401-18-**-10	(10) Single Shelves	18" Diameter (457 mm)	Polymer	\$17.40 ea.
LD-2401-24-**-10	(10) Single Shelves	24" Diameter (610 mm)	Polymer	\$21.90 ea.
LD-2401-28-**-10	(10) Single Shelves	28" Diameter (711 mm)	Polymer	\$28.55 ea.
LD-2401-32-**-10	(10) Single Shelves	32" Diameter (813 mm)	Polymer	\$36.40 ea.

Snap Pin Hardware

LD-20-0431-5	(5) 30-35" Telescoping Posts		Zinc/White	\$32.25 ea.
LD-24-0436-5	(5) 34-41" Telescoping Posts		Zinc/White	\$36.30 ea.
LD-24-04-5	(5) 26-31" Telescoping Post		Zinc/White	\$20.20 ea.
LD-24BM1-04-10	(10) Bottom Mounts		Zinc/White	\$14.10 ea.
LD-24BM2-04-5	(5) Double Bottom Mounts		Zinc/White	\$18.25 ea.

D-SHAPED SHELF



Bottom Mount Polymer Lazy Daisy w/ Hardware

PRODUCT	DESCRIPTION	DIMS	FINISH	SLP
LD-2261-32BM-**-1	Single Shelf	32" Diameter (813 mm)	Polymer	\$66.45

(2) Shelf Polymer Lazy Daisy w/ Hardware

LD-2262-32-**-1	(2) Shelf Set	32" Diameter (813 mm)	Polymer	\$114.75
-----------------	---------------	-----------------------	---------	----------

(2) Shelf Bottom Mount Polymer Lazy Daisy w/ Hardware

LD-2262-32BM-**-1	(2) Shelf Set	32" Diameter (813 mm)	Polymer	\$115.65
-------------------	---------------	-----------------------	---------	----------

D-SHAPED SHELF BULK



Polymer Lazy Daisy- No Hardware

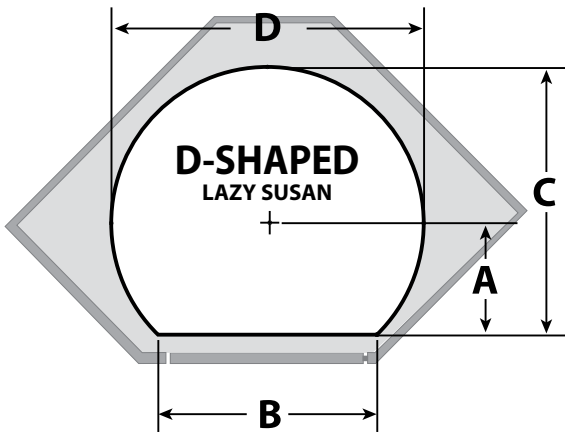
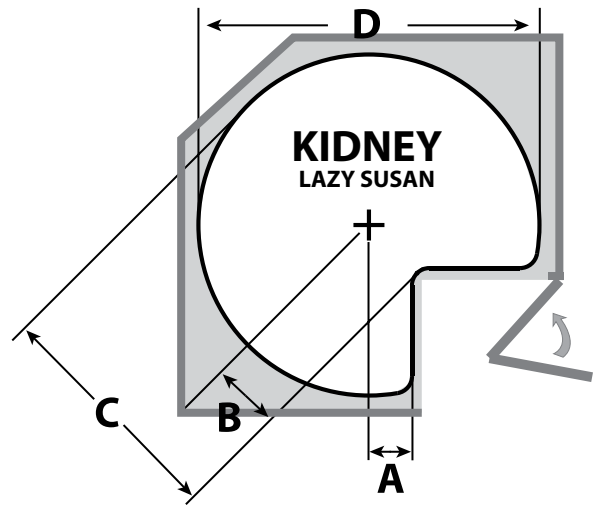
PRODUCT	DESCRIPTION	DIMS	FINISH	SLP
LD-2201-32-**-10	(10) Single Shelves	32" Diameter (813 mm)	Polymer	\$41.05 ea.

Hardware

LD-20-0431-5	(5) 30-35" Telescoping Posts		Zinc/White	\$32.25 ea.
LD-22-04-5	(5) 26-31" Telescoping Posts		Zinc/White	\$21.35 ea.
LD-22BM1-04-10	(10) Bottom Mounts		Zinc/White	\$13.80 ea.
LD-22BM2-04-5	(5) Double Bottom Mounts		Zinc/White	\$18.25 ea.

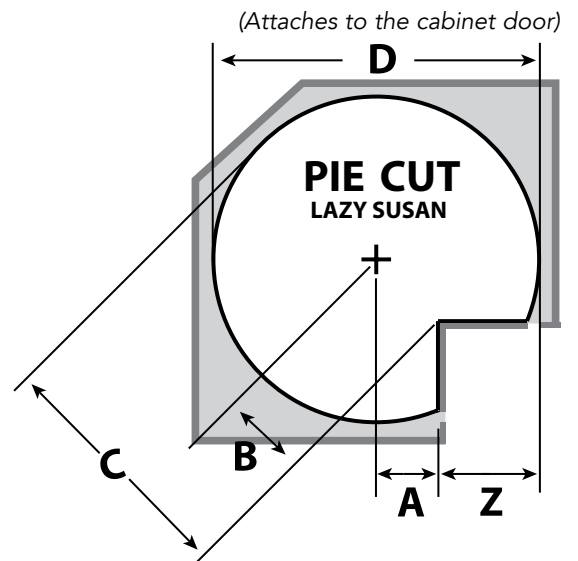
** Denotes color.  11 for white  15 for almond. Ask your salesperson about custom configurations and blank trays.

Shelf	Material	Series	A	B	C	D	shaft system
18" kidney	Polymer	LD	1 1/8"	2"	11"	18"	25 mm IND/Dep
24" kidney	Polymer	LD	1 3/4"	2 3/4"	14 3/4"	24"	25 mm IND/Dep
28" kidney	Polymer	LD	3"	4 3/8"	18 3/8"	27 5/8"	25 mm IND/Dep
32" kidney	Polymer	LD	4"	6"	21 7/8"	31 3/4"	25 mm IND/Dep

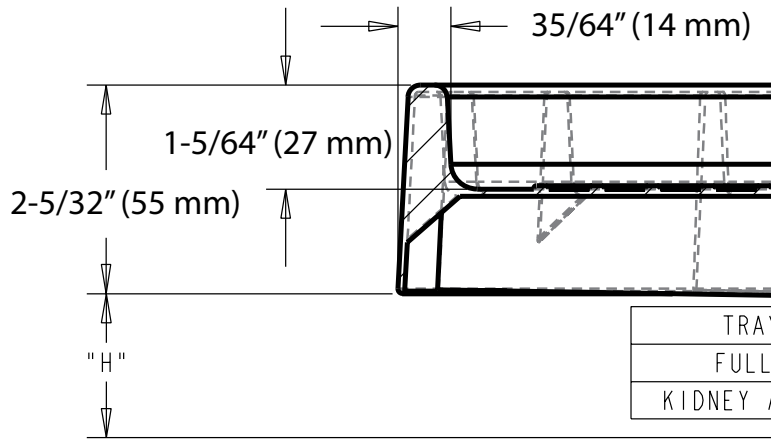


Shelf	Material	Series	A	B	C	D	shaft system
32" D-Shaped	Polymer	LD	14"	14 3/4"	29 7/8"	31 3/4"	25 mm IND/Dep

Shelf	Material	Series	A	B	C	D	Z
18" Pie Cut	Polymer	LD	1 1/8"	1 5/8"	10 5/8"	18"	8" + 1/8" GAP
24" Pie Cut	Polymer	LD	1 5/8"	2 3/8"	14 3/8"	24"	10 3/8" + 1/8" GAP
28" Pie Cut	Polymer	LD	3"	4 1/4"	18"	27 5/8"	10 7/8" + 1/8" GAP



For custom applications a trial installation is recommended. Door edge profile, thickness and gaps all factor in installation.



TRAY SHAPE	"H"
FULL CIRCLE	1.60" [40.6MM]
KIDNEY AND D-SHAPE	1.45" [36.8MM]

TOP OF CABINET FLOOR

WE HAVE
EVEN MORE
OPTIONS!

**LAZY
SUSANS**

Call your salesperson or 800-626-1126
if you would like more information on

Custom Tray/Hardware Configurations

Pallet Program/ Enviro Packaging: Many of our Lazy Susans are available in pallet quantities:

- Volume pricing
- Reduced transportation cost
- Minimal storage space
- Environmentally conscious packaging



Lazy Susan

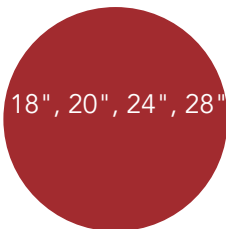
Polymer Value Line

- Twist-n-Lock telescoping post
- Molded polymer hubs
- Independently rotating
- Almond and white
- Polystyrene material

For part number and pricing see page 348. See page 348 for specifications.

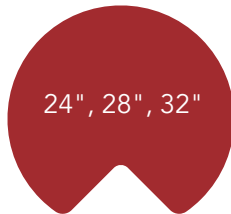


Tray Configurations



18", 20", 24", 28"

Full Circle



24", 28", 32"

Kidney Shaped



OPTIONAL: Ring cap included on 18" and 20" unit eliminates detent



Twist-n-Lock Telescoping Post

Hardware

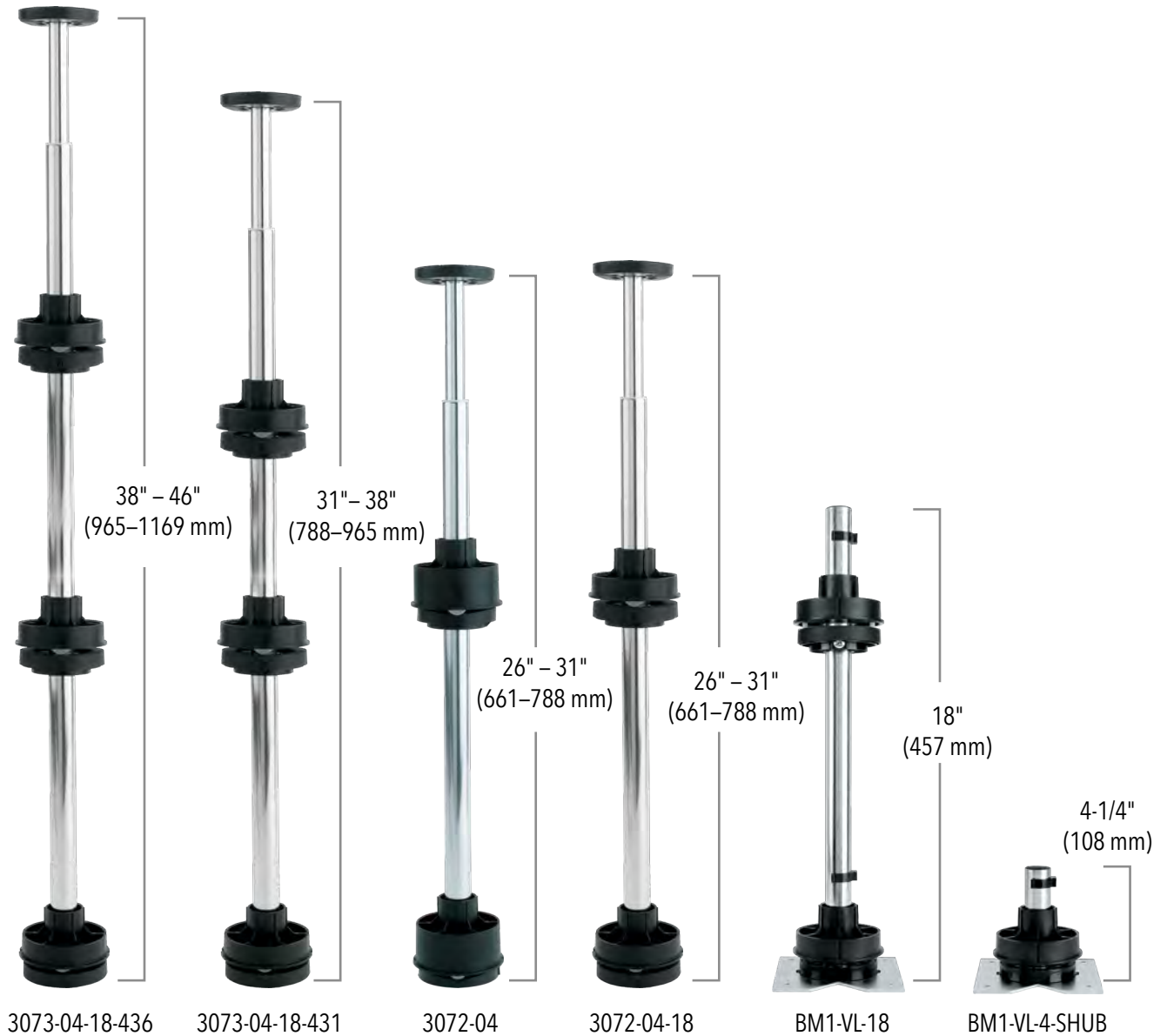
Size	Lazy Daisy	Value Line	RAS
Telescoping Post	•	•	•
Twist-n-Lock Post		•	
Bottom Mount	•	•	•

Shelf Support

Snap Pin	•		
Metal/Die Components			•
Polymer Components	•	•	

Hub

Molded Hub	•	•	
Chrome Hub			•



FULL CIRCLE SHELF



Value Line Lazy Susan w/ Hub - *Must purchase bottom mount hardware to attach to cabinet*

PRODUCT	DESCRIPTION	DIMS	FINISH	SLP
3071-18-**-52	Single Shelf	18" (457 mm) Diameter	Polymer	\$26.85
3071-20-**-52	Single Shelf	20" (508 mm) Diameter	Polymer	\$32.35
3071-24-**-52	Single Shelf	24" (610 mm) Diameter	Polymer	\$36.40
3071-28-**-52	Single Shelf	28" (712 mm) Diameter	Polymer	\$45.40

Bottom Mount Hardware

BM1-VL-04-52	Hardware	4-1/4" (108 mm) H	Zinc	\$15.25
BM1-VL-18-52	Hardware for (2) Shelf Set	18" (457 mm) H	Zinc	\$25.10

(2) Shelf Value Line Lazy Susan w/ 26"-31" (660-788 mm) Telescoping Post

3072-18-**-52	(2) Shelf Set	18" (457 mm) Diameter	Polymer	\$65.00
3072-20-**-52	(2) Shelf Set	20" (508 mm) Diameter	Polymer	\$75.75
3072-24-**-52	(2) Shelf Set	24" (610 mm) Diameter	Polymer	\$84.25
3072-28-**-52	(2) Shelf Set	28" (712 mm) Diameter	Polymer	\$95.85

(3) Shelf Value Line Lazy Susan w/ 31"-38" (788-965 mm) Telescoping Post

3073-18-**-531	(3) Shelf Set	18" (457 mm) Diameter	Polymer	\$96.20
3073-20-**-531	(3) Shelf Set	20" (457 mm) Diameter	Polymer	\$112.00

(3) Shelf Value Line Lazy Susan w/ 38"-46" (965-1169 mm) Telescoping Post

3073-18-**-536	(3) Shelf Set	18" (457 mm) Diameter	Polymer	\$103.30
3073-20-**-536	(3) Shelf Set	20" (610 mm) Diameter	Polymer	\$118.95

FULL CIRCLE SHELF BULK



Value Line Lazy Susan- No Hardware

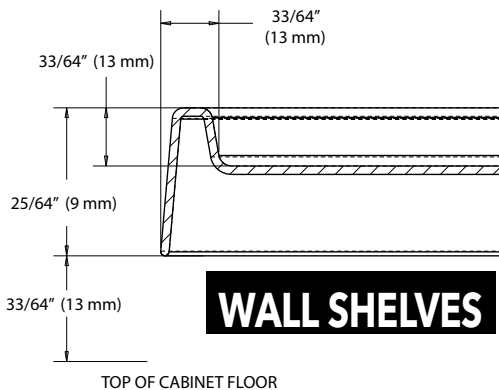
PRODUCT	DESCRIPTION	DIMS	FINISH	SLP
3001-18-**-12	(10) Single Shelves	18" (457 mm) Diameter	Polymer	\$20.75 ea.
3001-20-**-12	(10) Single Shelves	20" (508 mm) Diameter	Polymer	\$25.65 ea.
3001-24-**-12	(10) Single Shelves	24" (610 mm) Diameter	Polymer	\$29.70 ea.
3001-28-**-12	(10) Single Shelves	28" (712 mm) Diameter	Polymer	\$35.80 ea.

Hardware

3072-04-6	(6) 26"-31" (600-788 mm) Telescoping Posts		Zinc	\$20.65 ea.
3072-04-18-6	(6) 26"-31" (600-788 mm) Telescoping Posts w/ Ring Cap		Zinc	\$20.60 ea.
3073-04-18-431-4	(4) 31"-38" (788-965 mm) Telescoping Posts w/ Ring Cap		Zinc	\$38.60 ea.
3073-04-18-436-4	(4) 38"-46" (965-1169 mm) Telescoping Posts w/ Ring Cap		Zinc	\$39.65 ea.
BM1-VL-4-SHUB-12	Bottom Mount w/ Wall Hub	4" (102 mm)	Zinc	\$20.00 ea.
BM1-VL-4-LHUB-12	Bottom Mount w/ Base Hub	4" (102 mm)	Zinc	\$20.60 ea.

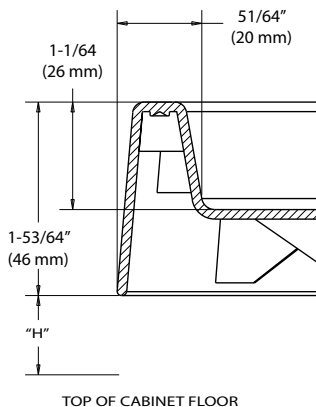
LIP SPECIFICATIONS

VALUE LINE POLYMER SHELVES



WALL SHELVES

Full Circle	"H"
3072-18	5/16" (8 mm)



BASE SHELVES

Full Circle	"H"
3072-24 & 28	1-3/64" (27 mm)

Kidney	"H"
3472-24, 28 & 32	1-3/64" (27 mm)

KIDNEY SHAPED SHELF



Hinged door; Not attached

Value Line Lazy Susan w/ Hub - Must purchase bottom mount hardware to attach to cabinet

PRODUCT	DESCRIPTION	DIMS	FINISH	SLP
3471-24-**-52	Single Shelf	24" (610 mm) Diameter	Polymer	\$34.05
3471-28-**-52	Single Shelf	28" (712 mm) Diameter	Polymer	\$43.05
3471-32-**-52	Single Shelf	32" (813 mm) Diameter	Polymer	\$53.50

Bottom Mount Hardware

BM1-VL-04-52	Hardware	4-1/4" (108 mm) H	Zinc	\$15.25
BM1-VL-18-52	Hardware for (2) Shelf Set	18" (457 mm) H	Zinc	\$25.10

(2) Shelf Value Line Lazy Susan w/ 26"-31" (660-788 mm) Telescoping Post

3472-24-**-52	(2) Shelf Set	24" (610 mm) Diameter	Polymer	\$81.20
3472-28-**-52	(2) Shelf Set	28" (712 mm) Diameter	Polymer	\$97.60
3472-32-**-52	(2) Shelf Set	32" (813 mm) Diameter	Polymer	\$118.90

KIDNEY SHAPED SHELF BULK



Hinged door; Not attached

Value Line Lazy Susan- No Hardware

PRODUCT	DESCRIPTION	DIMS	FINISH	SLP
3401-24-**-12	(12) Single Shelves	24" (610 mm) Diameter	Polymer	\$23.05 ea.
3401-28-**-12	(12) Single Shelves	28" (712 mm) Diameter	Polymer	\$31.05 ea.
3401-32-**-12	(12) Single Shelves	32" (813 mm) Diameter	Polymer	\$40.00 ea.

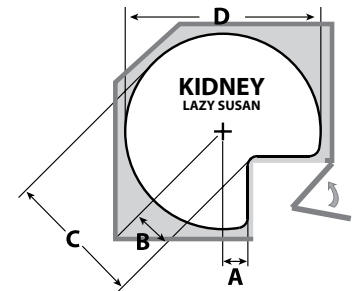
Hardware

3472-04-6	(6) Post and Pivot Hardware	26"-31" (660-788 mm) H	Zinc	\$22.75 ea.
BM1-VL-4-LHUB-12	(12) Bottom Mounts w/ Base Hub	4" (102 mm)	Zinc	\$20.60
BM1-VL-18-LHUB-12	(12) - (2) Shelf Bottom Mounts w/ Base Hub		Zinc	

** Denotes color. 11 for white 15 for almond. Ask your salesperson about custom configurations and blank trays.



Value Line ™
By REV-A-SHELF®



Shelf	Material	Series	A	B	C	D	Post System
24" kidney	polymer	3400	1-1/2"	2-5/16"	14-5/16"	24"	1" Ind.
28" kidney	polymer	3400	3"	4-11/16"	18-5/8"	28"	1" Ind.
32" kidney	polymer	3400	4 1/4"	6-7/16"	22-7/16"	32"	1" Ind.

DEP.=DEPENDENT ROTATING SYSTEM
IND.=INDEPENDENT ROTATING SYSTEM

Lazy Susan

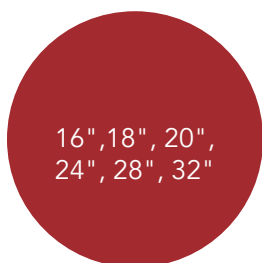
RAS Polymer

- Chrome post and hubs
- Independently and dependently rotating
- Almond and white
- Polystyrene material

For part number and pricing see page 352. See page 355 for specifications.

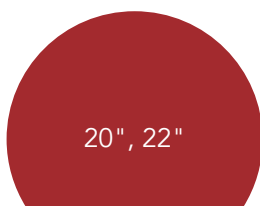


Tray Configurations



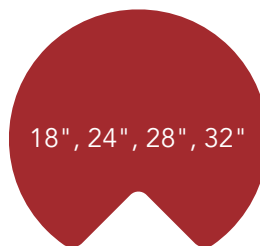
16", 18", 20",
24", 28", 32"

Full Circle



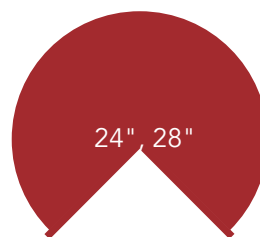
20", 22"

D-Shaped



18", 24", 28", 32"

Kidney Shaped



24", 28"

Pie Cut



31", 33", 39"

Half Moon

Hardware

Size	Lazy Daisy	Value Line	RAS
Telescoping Post	•	•	•
Twist-n-Lock Post		•	
Bottom Mount	•	•	•

Shelf Support

Snap Pin	•		
Metal/Die Components			•
Polymer Components	•	•	

Hub

Molded Hub	•	•	
Chrome Hub			•

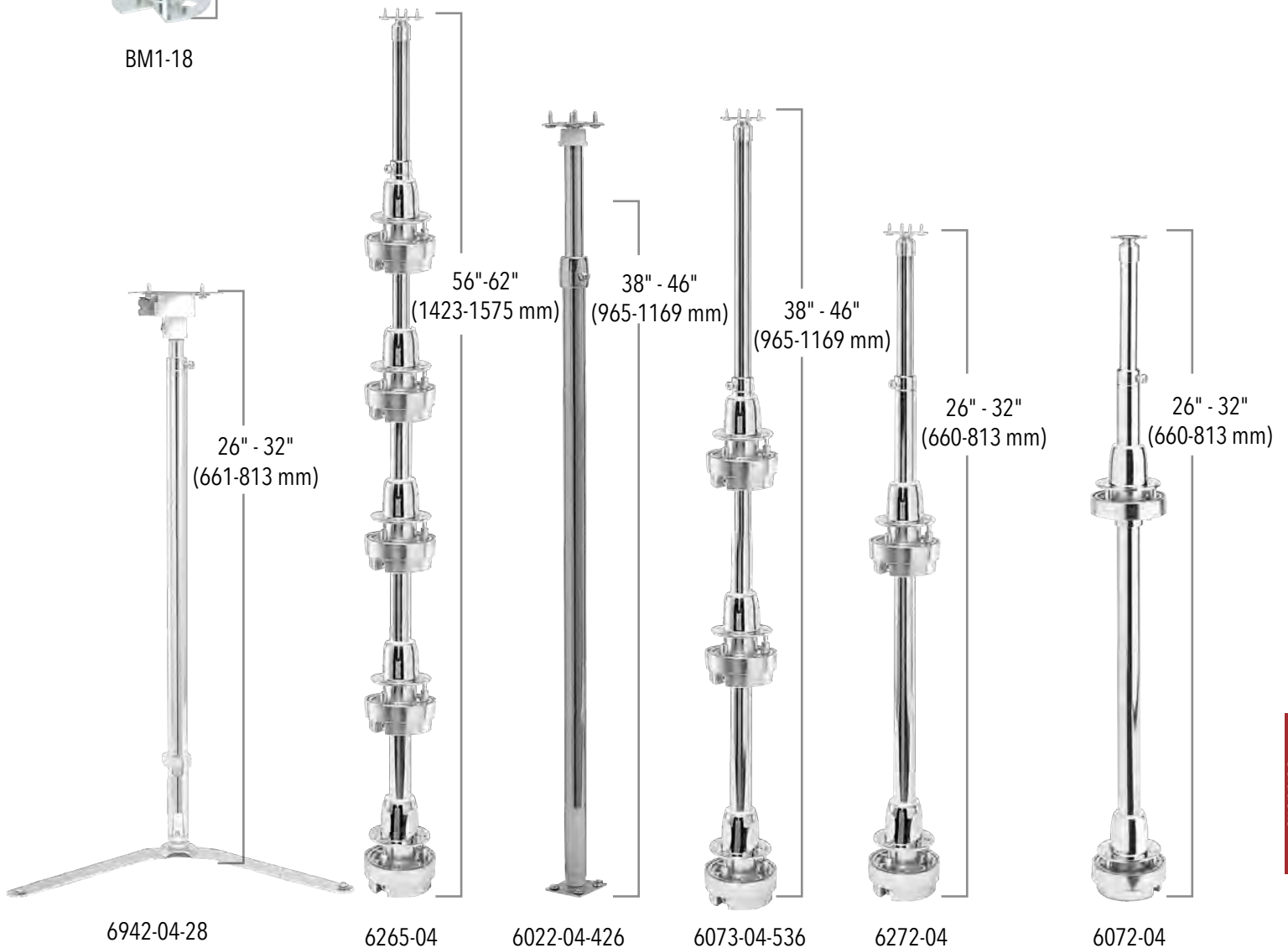


BM1-18

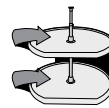


BM1-04

4-11/16"
(119 mm)



FULL CIRCLE SHELF



DEPENDENTLY ROTATING

(2) Shelf RAS Polymer Lazy Susan w/ 24"-31" (610-788 mm) Telescoping Shaft

PRODUCT	DESCRIPTION	DIMS	FINISH	SLP
6012-18-**-52	(2) Shelf Set	18" (457 mm) Diameter	Polymer	\$76.75
6012-20-**-52	(2) Shelf Set	20" (508 mm) Diameter	Polymer	\$84.75
6012-24-**-52	(2) Shelf Set	24" (610 mm) Diameter	Polymer	\$93.55
6012-28-**-52	(2) Shelf Set	28" (712 mm) Diameter	Polymer	\$112.85

(3) Shelf RAS Polymer Lazy Susan w/ 38"-46" (965-1169 mm) Telescoping Post

6013-18-**-526	(3) Shelf Set	18" (457 mm) Diameter	Polymer	\$114.75
6013-20-**-526	(3) Shelf Set	20" (457 mm) Diameter	Polymer	\$127.05

FULL CIRCLE SHELF BULK



RAS Polymer Lazy Susan -No Hardware

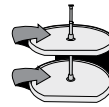
PRODUCT	DESCRIPTION	DIMS	FINISH	SLP
6001-18-**-4	(12) Single Shelves	18" (457 mm) Diameter	Polymer	\$22.20 ea.
6001-20-**-4	(12) Single Shelves	20" (508 mm) Diameter	Polymer	\$25.65 ea.
6001-24-**-4	(12) Single Shelves	24" (610 mm) Diameter	Polymer	\$30.00 ea.
6001-28-**-4	(12) Single Shelves	28" (712 mm) Diameter	Polymer	\$38.40 ea.

Hardware

6022-04-4	(6) Post and Pivot Hardware	24"-31" (610-788 mm) H	Zinc	\$24.05 ea.
6022-04-426	(4) Post and Pivot Hardware	38"-46" (968-1169 mm) H	Zinc	\$34.65 ea.

NOTES: 3/4" (19 mm) diameter shaft system. **6012** - Telescoping shaft dimensions 12" (305 mm) upper & 21" (534 mm) lower shaft
6013 - Telescoping shaft dimensions 12" (305 mm) upper & 36" (915 mm) lower shaft. Shaft length can be cut to accommodate inner cabinet heights of less than 38" (965 mm).

D-SHAPED SHELF



DEPENDENTLY ROTATING

(2) Shelf RAS Polymer Lazy Susan w/ 24"-31" (610-788 mm) Telescoping Post

PRODUCT	DESCRIPTION	DIMS	FINISH	SLP
7012-20-**-52	(2) Shelf Set	20" (508 mm) Diameter	Polymer	\$82.55

(3) Shelf RAS Polymer Lazy Susan w/ 38"-46" (965-1169 mm) Telescoping Post

7013-20-**-526	(3) Shelf Set	20" (508 mm) Diameter	Polymer	\$118.95
----------------	---------------	-----------------------	---------	----------

D-SHAPED SHELF BULK



RAS Polymer Lazy Susan -No Hardware

PRODUCT	DESCRIPTION	DIMS	FINISH	SLP
7001-20-**-4	(12) Single Shelves	20" (508 mm) Diameter	Polymer	\$27.55 ea.

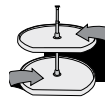
Hardware

6022-04-4	(6) 24"-31" (610-788 mm) Telescoping Posts		Zinc	\$24.05 ea.
6022-04-426	(4) 38"-46" (968-1169 mm) Telescoping Posts		Zinc	\$34.65 ea.

NOTES: 3/4" (19 mm) diameter shaft system. **7012** - Telescoping shaft dimensions 12" (305 mm) upper & 21" (534 mm) lower shaft. **7013** - Telescoping shaft dimensions 12" (305 mm) upper & 36" (915 mm) lower shaft. ** Available colors: 11 White, 15 Almond Tested to exceed BHMA Class 1 Specifications.

** Denotes color. 11 for white 15 for almond. Ask your salesperson about custom configurations and blank trays.

FULL CIRCLE SHELF



INDEPENDENTLY ROTATING

RAS Polymer Lazy Susan w/ Hub - *Must purchase bottom mount hardware to attach to cabinet*

PRODUCT	DESCRIPTION	DIMS	FINISH	SLP
6071-16-**-52	Single Shelf	16" (407 mm) Diameter	Polymer	\$42.20
6071-18-**-52	Single Shelf	18" (457 mm) Diameter	Polymer	\$43.35
6071-20-**-52	Single Shelf	20" (508 mm) Diameter	Polymer	\$46.70
6071-24-**-52	Single Shelf	24" (610 mm) Diameter	Polymer	\$52.50
6071-28-**-52	Single Shelf	28" (711 mm) Diameter	Polymer	\$65.10
6071-32-**-52	Single Shelf	32" (813 mm) Diameter	Polymer	\$74.95

Bottom Mount Hardware

BM1-VL-04-52	Hardware	4-1/4" (108 mm) H	Zinc	\$15.25
BM1-VL-18-52	Hardware for (2) Shelf Set	18" (457 mm) H	Zinc	\$25.10

Bottom Mount RAS Polymer Lazy Susan w/ Hardware

PRODUCT	DESCRIPTION	DIMS	FINISH	SLP
6621-16-**-52	Single Shelf	16" (407 mm) Diameter	Polymer	\$57.70
6621-18-**-52	Single Shelf	18" (457 mm) Diameter	Polymer	\$55.55
6621-20-**-52	Single Shelf	20" (508 mm) Diameter	Polymer	\$56.40
6621-24-**-52	Single Shelf	24" (610 mm) Diameter	Polymer	\$64.50
6621-28-**-52	Single Shelf	28" (711 mm) Diameter	Polymer	\$82.05
6621-32-**-52	Single Shelf	32" (813 mm) Diameter	Polymer	\$101.05

(2) Shelf RAS Polymer Lazy Susan w/ 26"-32" (660-813 mm) Telescoping Post

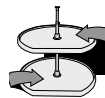
6072-16-**-52	(2) Shelf Set	16" (407 mm) Diameter	Polymer	\$131.15
6072-18-**-52	(2) Shelf Set	18" (457 mm) Diameter	Polymer	\$136.80
6072-20-**-52	(2) Shelf Set	20" (508 mm) Diameter	Polymer	\$156.35
6072-24-**-52	(2) Shelf Set	24" (610 mm) Diameter	Polymer	\$181.45
6072-28-**-52	(2) Shelf Set	28" (711 mm) Diameter	Polymer	\$193.75
6072-32-**-52	(2) Shelf Set	32" (813 mm) Diameter	Polymer	\$203.75

(3) Shelf RAS Polymer Lazy Susan w/ 38"-46" (965-1169 mm) Telescoping Post

6073-18-**-536	(3) Shelf Set	18" (457 mm) Diameter	Polymer	\$195.65
6073-20-**-536	(3) Shelf Set	20" (508 mm) Diameter	Polymer	\$207.25

NOTES: 1" (26 mm) diameter shaft system. **6072** - Telescoping shaft dimensions 9¼" (235 mm) upper & 21" (534 mm) lower shaft **6073** - Telescoping shaft dimensions 9¼" (235 mm) upper & 36" (915 mm) lower shaft. **Additional shelves and/or longer posts can be special ordered.** Positioning base without wheels 6260-77-2 mounts on base of cabinet.

D-SHAPED SHELF



INDEPENDENTLY ROTATING

RAS Polymer Lazy Susan w/ Hub - *Must purchase bottom mount hardware to attach to cabinet*

PRODUCT	DESCRIPTION	DIMS	FINISH	SLP
6271-20-**-52	Single Shelf	20" (508 mm) Diameter	Polymer	\$42.20
6271-22-**-52	Single Shelf	22" (560 mm) Diameter	Polymer	\$46.85

Bottom Mount Hardware

BM1-04-52	Hardware	4-11/16" (119 mm) H	Zinc	\$23.35
BM1-18-52	Hardware for (2) Shelf Set	17-7/8" (454 mm) H	Zinc	\$36.25

Bottom Mount RAS Polymer Lazy Susan w/ Hardware

PRODUCT	DESCRIPTION	DIMS	FINISH	SLP
6221-20-**-52	Single Shelf	20" (508 mm) Diameter	Polymer	\$55.60
6221-22-**-52	Single Shelf	22" (560 mm) Diameter	Polymer	\$67.40

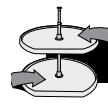
(2) Shelf RAS Polymer Lazy Susan w/ 26"-32" (660-813 mm) Telescoping Post

6272-20-**-52	(2) Shelf Set	20" (508 mm) Diameter	Polymer	\$151.60
6272-22-**-52	(2) Shelf Set	22" (560 mm) Diameter	Polymer	\$138.80

(3) Shelf RAS Polymer Lazy Susan w/ 38"-46" (965-1169 mm) Telescoping Post

6273-20-**-536	(3) Shelf Set	20" (508 mm) Diameter	Polymer	\$206.25
6273-22-**-536	(3) Shelf Set	22" (560 mm) Diameter	Polymer	\$215.80

KIDNEY SHAPED SHELF



INDEPENDENTLY ROTATING

RAS Polymer Lazy Susan w/ Hub - *Must purchase bottom mount hardware to attach to cabinet*

PRODUCT	DESCRIPTION	DIMS	FINISH	SLP
6471-18-**-52	Single Shelf	18" Diameter (457 mm)	Polymer	\$43.05
6471-24-**-52	Single Shelf	24" Diameter (610 mm)	Polymer	\$51.35
6471-28-**-52	Single Shelf	28" Diameter (711 mm)	Polymer	\$57.85
6471-32-**-52	Single Shelf	32" Diameter (813 mm)	Polymer	\$67.40

Bottom Mount Hardware

BM1-04-52	Hardware	4-11/16" (119 mm) H	Zinc	\$23.35
BM1-18-52	Hardware for (2) Shelf Set	17-7/8" (454 mm) H	Zinc	\$34.50

Bottom Mount RAS Polymer Lazy Susan w/ Hardware

6421-18-**-52	Single Shelf	18" Diameter (457 mm)	Polymer	\$60.15
6421-24-**-52	Single Shelf	24" Diameter (610 mm)	Polymer	\$63.80
6421-28-**-52	Single Shelf	28" Diameter (711 mm)	Polymer	\$74.40
6421-32-**-52	Single Shelf	32" Diameter (813 mm)	Polymer	\$83.50

(2) Shelf RAS Polymer Lazy Susan w/ 26"-32" (660-813 mm) Telescoping Post

6472-18-**-52	(2) Shelf Set	18" Diameter (457 mm)	Polymer	\$117.20
6472-24-**-52	(2) Shelf Set	24" Diameter (610 mm)	Polymer	\$128.10
6472-28-**-52	(2) Shelf Set	28" Diameter (711 mm)	Polymer	\$151.85
6472-32-**-52	(2) Shelf Set	32" Diameter (813 mm)	Polymer	\$171.85

KIDNEY SHAPED SHELF BULK



Hinged door; Not attached

(2) Shelf RAS Polymer Lazy Susan w/ 26"-32" (660-813 mm) Telescoping Post

PRODUCT	DESCRIPTION	DIMS	FINISH	SLP
6472-24-**-4S	(5)- (2) Shelf Sets	24" Diameter (610 mm)	Polymer	\$119.70 ea.
6472-28-**-4S	(5)- (2) Shelf Sets	28" Diameter (711 mm)	Polymer	\$142.45 ea.
6472-32-**-4S	(6)- (2) Shelf Sets	32" Diameter (813 mm)	Polymer	\$160.70 ea.

PIE CUT SHELF



(Attaches to the cabinet door)

(2) Shelf RAS Polymer Lazy Susan w/ 26"-32" (660-813 mm) Telescoping Post

PRODUCT	DESCRIPTION	DIMS	FINISH	SLP
6942-24-**-52	(2) Shelf Set	24" Diameter (610 mm)	Polymer	\$111.70
6942-28-**-52	(2) Shelf Set	28" Diameter (711 mm)	Polymer	\$130.55

PIE CUT SHELF BULK



(Attaches to the cabinet door)

(2) Shelf RAS Polymer Lazy Susan - No Hardware

PRODUCT	DESCRIPTION	DIMS	FINISH	SLP
6901-24-**-4	(12) Single Shelves	24" Diameter (610 mm)	Polymer	\$29.00 ea.
6901-28-**-4	(12) Single Shelves	28" Diameter (711 mm)	Polymer	\$43.65 ea.

Hardware

6942-04-4	(6) 26"-32" (660- 813 mm) Telescoping Posts		Polymer	\$55.30 ea.
6942-04-28-4	(6) 26"-32" (660- 813 mm) Telescoping Posts		Polymer	\$55.85 ea.

** Denotes color.  11 for white  15 for almond. Ask your salesperson about custom configurations and blank trays.

HALF MOON SHELF



(2) Shelf RAS Polymer Lazy Susan w/ Pivot

PRODUCT	DESCRIPTION	DIMS	FINISH	SLP
6842-31-**-570	(2) Shelf Set	31" (787 mm) Diameter	Polymer	\$180.00
6842-33-**-570	(2) Shelf Set	33" (838 mm) Diameter	Polymer	\$194.05
6842-39-**-570	(2) Shelf Set	39" (991 mm) Diameter	Polymer	\$214.05

RAS Polymer Lazy Susan w/ Pivot and Slide

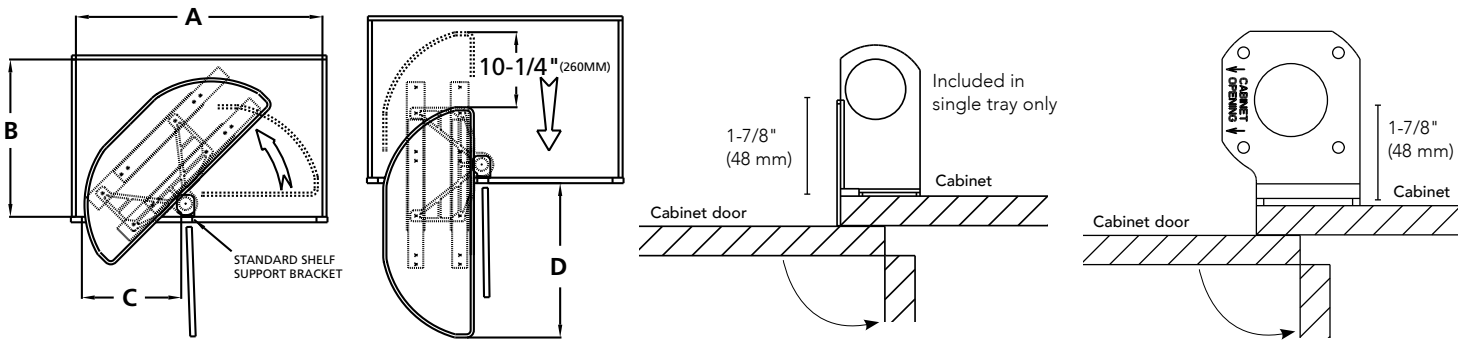
6881-31-**-52	Single Shelf	31" (787 mm) Diameter	Polymer	\$161.20
6881-33-**-52	Single Shelf	33" (838 mm) Diameter	Polymer	\$163.95
6881-39-**-52	Single Shelf	39" (991 mm) Diameter	Polymer	\$185.00

(2) Shelf RAS Polymer Lazy Susan w/ Pivot and Slides

6882-31-**-570	(2) Shelf Set	31" (787 mm) Diameter	Polymer	\$270.20
6882-33-**-570	(2) Shelf Set	33" (838 mm) Diameter	Polymer	\$271.80
6882-39-**-570	(2) Shelf Set	39" (991 mm) Diameter	Polymer	\$296.15

Hardware

6882-1008-04-52	Half Moon Slide Kit (1 Pair)	10-1/2" (267 mm) Extension	Polymer	\$49.65
-----------------	------------------------------	----------------------------	---------	---------

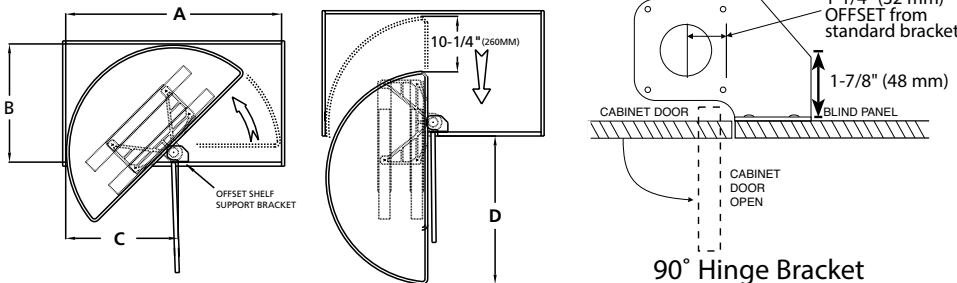
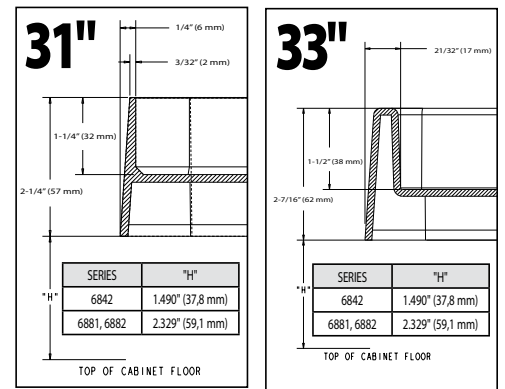


Standard Bracket

FRAMED CABINET

DIMENSIONS A, B, AND C ARE MINIMUMS. 31" TRAY SHOWN IN DIAGRAM

NOM Tray size	A	B	C	D
31" (787 mm)	33-11/16" (856 mm)	21-1/2" (546 mm)	13-1/4" (344 mm)	21-1/16" (535 mm)
33" (838 mm)	34-5/16" (872 mm)	18-9/16" (471 mm)	16-1/8" (410 mm)	24-1/16" (611 mm)
39" (991 mm)	40-11/16" (1033 mm)	21-13/16" (554 mm)	19-1/4" (491 mm)	27-3/8" (695 mm)
32" kidney	4"	6"	21-7/8"	31-3/4"

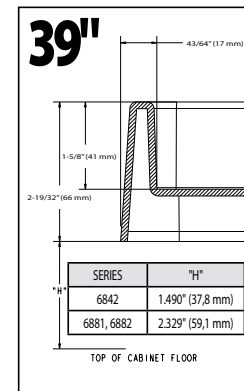


90° Hinge Bracket

FRAMELESS CABINET (EURO)

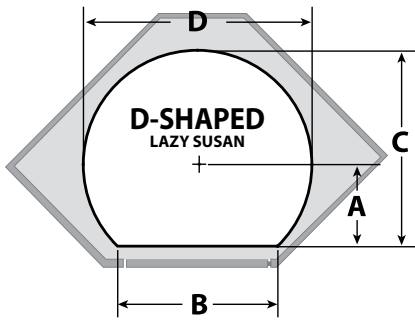
DIMENSIONS A, B, AND C ARE MINIMUMS. 39" TRAY SHOWN IN DIAGRAM.

NOM Tray size	A	B	C	D
31" (787 mm)	32-13/16" (833 mm)	21-1/2" (546 mm)	15" (381 mm)	21-1/16" (535 mm)
33" (838 mm)	33-3/16" (843 mm)	18-9/16" (471 mm)	17-7/16" (443 mm)	24-1/16" (611 mm)
39" (991 mm)	39-7/8" (1013 mm)	21-13/16" (554 mm)	20-3/4" (527 mm)	27-3/8" (695 mm)
32" kidney	4"	6"	21-7/8"	31-3/4"



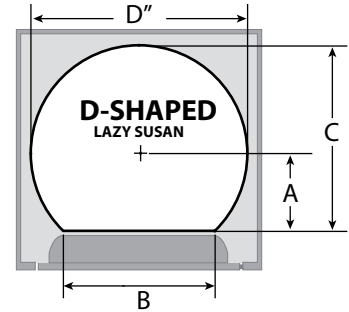
SPECIFICATIONS

POLYMER SHELVES



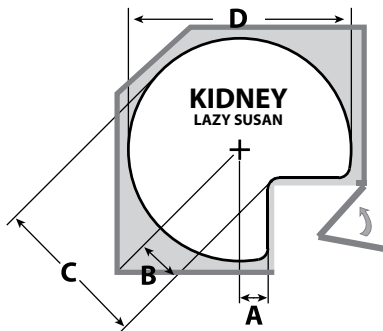
Shelf	Material	Series	A	B	C	D	Post System
20" D-Shaped	polymer	6200	8-7/8"	9-1/4"	19"	20-1/8"	1" Ind.
22" D-shaped	polymer	6200	7-3/16"	16-5/8"	18-3/16"	22"	1" Ind.

IND. = Independent Rotating System



Shelf	Material	Series	A	B	C	D	Post System
20" D-Shaped	polymer	7000	8-7/8"	9-1/4"	18-7/8"	20"	3/4" IND.

DEP. = Dependent Rotating System

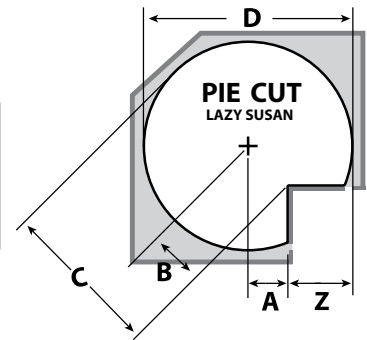


Shelf	Material	Series	A	B	C	D	Post System
18" kidney	polymer	6471	1 3/4"	2 13/16"	11 13/16"	18"	1" IND.
24" kidney	polymer	6471	1 1/2"	2 5/16"	14 5/16"	24"	1" IND.
28" kidney	polymer	6471	3"	4 11/16"	18 5/8"	28"	1" IND.
32" kidney	polymer	6471	4 1/4"	6 7/16"	22 7/16"	32"	1" IND.

IND. = Independent Rotating System

Shelf	Material	Series	A	B	C	D	Z	Post System
24" Pie Cut	polymer	6942	1-3/8"	1-15/16"	13-15/16"	24"	10-9/16" + 1/8" gap	1" DEP.
28" Pie Cut	polymer	6942	3"	4 1/4"	18-1/4"	28"	11" + 1/8" gap	1" DEP.

DEP. = Dependent Rotating System



For custom applications a trial installation is recommended.
Door edge profile, thickness, and gaps all factor in installation.

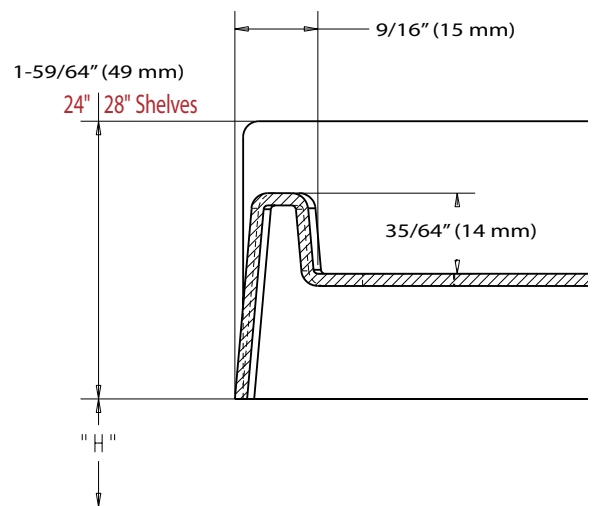
LIP SPECIFICATIONS

PIE CUT POLYMER SHELVES

Dimensions are for reference only, and may change based on hardware used, etc.

1" Shaft Pie-Cut	"H"
6942-24	1/4" (6 mm) *
6942-28	1/4" (6 mm) *

*6942-24 and 6942-28 can sit flush on the top of the cabinet floor. 1/4" (6 mm) is the recommended for clearance.



REV-A-SHELF® LAZY SUSANS ARE TESTED TO EXCEED BHMA CLASS 1 SPECIFICATIONS

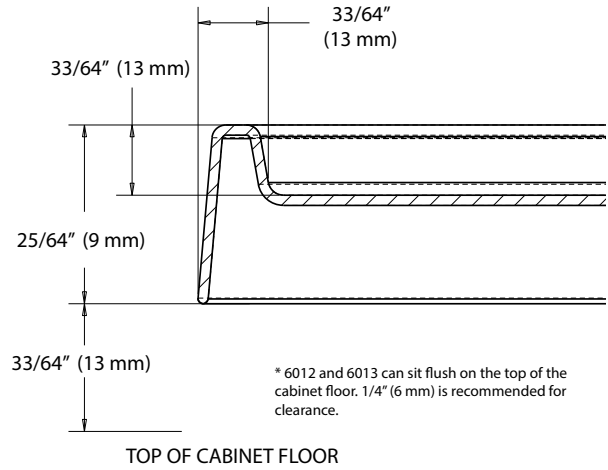


Dimensions are for reference only, and may change based on hardware used, etc.

WALL SHELVES

Full Circle	"H"
3072-18	5/16" (8 mm)
6621-16, 18 and 20	1-19/64" (33 mm)
6072-16, 18 and 20	1-19/64" (33 mm)
6073- 18 and 20	1-19/64" (33 mm)
6065- 16 and 18	2-9/32" (58 mm)
6012- 18 and 20	1/4" (6 mm) *
6013- 18 and 20	1/4" (6 mm) *

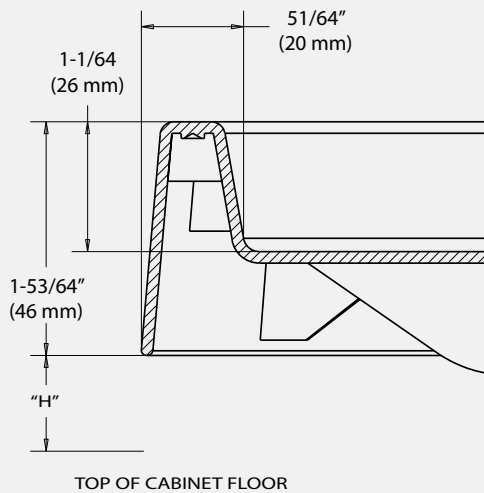
Kidney	33/64" (13 mm)
6421-18	1-19/64" (33 mm)
6472-18	1-19/64" (33 mm)



BASE SHELVES

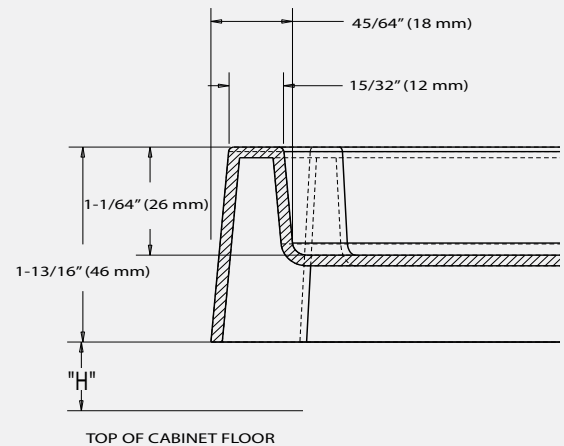
Full Circle	"H"
3072-24 and 28	1-3/64" (27 mm)
6621-24, 28 and 32	1-15/64" (31 mm)
6072-24, 28 and 32	1-15/64" (31 mm)

Kidney	"H"
3472-24, 28 and 32	1-3/64" (27 mm)
6421-24, 28 and 32	1-15/64" (31 mm)
6472-24, 28 and 32	1-15/64" (31 mm)



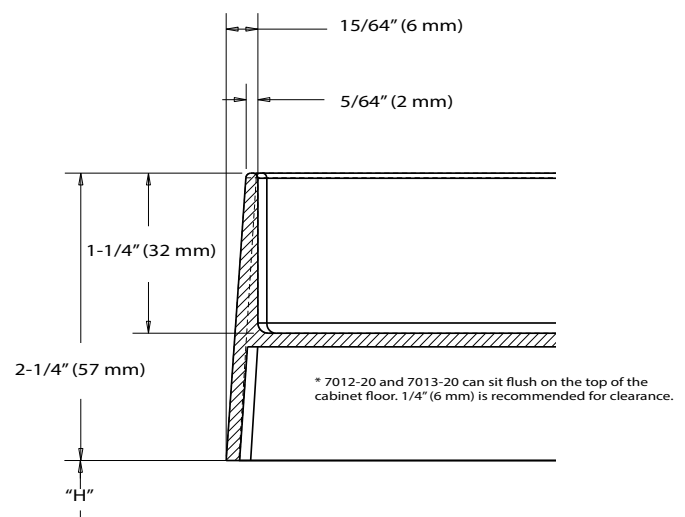
PANTRY SHELVES

22" D-Shape	"H"
6221-22	1-15/64" (31 mm)
6272-22	1-15/64" (31 mm)
6273-22	1-15/64" (31 mm)
6265-22	2-13/64" (56 mm)



WALL SHELVES

Independent Rotation	
20" D-Shape	"H"
6221- 20	1-1/2" (38 mm)
6272- 20	1-1/2" (38 mm)
6273- 20	1-1/2" (38 mm)
Dependent Rotation	
20" D-Shape	"H"
7012-20	1/4" (16 mm) *
7013-20	1/4" (16 mm) *



WOOD LAZY SUSANS

THE MOST COMPLETE LINE IN THE INDUSTRY!



BANDED WOOD

- Laminated Hardwood Rim
- Doweled (2) Butt Joint
- Almond Polymer Hubs
- Telescoping Post
- Steel Bearings

Good



WOOD CLASSIC

- Solid Rim
- Finger Joint
- Chrome Hubs
- Telescoping Post
- Aluminum Bearings

Better



NATURAL WOOD

- Steam Bent Rim
- Doweled (2) Butt Joint
- Chrome Hubs
- Telescoping Post
- Aluminum Bearings

Best



All wood products are TSCA Title VI compliant

Rev-A-Shelf's Lazy Susans are tested to exceed BHMA Class 1 Specs: 20 lbs. per square foot at 75K cycles 120°.



All of our lazy susans are manufactured using high quality materials and are backed by a limited Lifetime Warranty. We have developed a tiered category system that will allow you to quickly identify which configuration will give you the features you want, with the value you require.

Full Circle			
Size	Banded	Wood Classic	Natural
10"		•	
18"	•	•	•
20"	•	•	
22"		•	
24"	•		•
28"	•	•	•
32"	•	•	•
Kidney			
18"			•
24"	•	•	
28"	•	•	•
32"	•	•	•
Pie Cut			
24"		•	
28"	•	•	•
32"		•	
D-Shaped			
20"	•	•	•
22"		•	
28"	•		•
31"		•	
32"	•		•
Half Moon			
32"		•	•
35"		•	•
38"		•	•

Hardware			
Size	Banded	Wood Classic	Natural
Telescoping Post		•	•
Twist-n-Lock Post		•	•
Bottom Mount	•		•
HD Bottom Mount	•		•
Steel Bearing	•		•
Aluminum Bearing			•
Shelf Support			
Metal/Die Components			•
Polymer Components	•		
Hub			
Molded Hub	•		
Chrome Hub		•	•
Tray Trim			
Doweled Butt Joint Rim	•		•
Finger Joint Rim		•	
Tall Rim Option			•
Chrome Fence Option		•	

Information			
	Banded	Wood Classic	Natural
Part Numbers/Pricing	362	366	374
Specifications	363	372	377

362

Lazy Susan

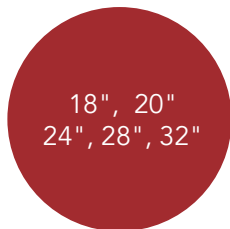
Banded Wood

- 2" Banded wood rim
- Doweled (2) butt joint
- 5/8" Thick maple shelf bottom
- Independently rotating
- Almond hardware
- Steel bearings
- TSCA Title VI compliant

For part number and pricing see page 362. See page 364 for specifications.

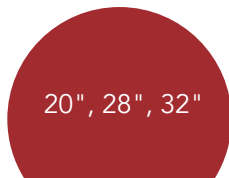


Tray Configurations



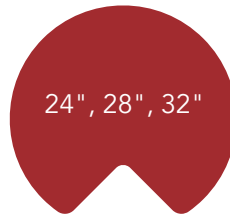
18", 20"
24", 28", 32"

Full Circle



20", 28", 32"

D-Shaped



24", 28", 32"

Kidney Shaped



28"

Pie Cut

Hardware

	Banded	Wood Classic	Natural
Telescoping Post		•	•
Twist-n-Lock Post	•		
Bottom Mount	•	•	•
HD Bottom Mount		•	•
Steel Bearing	•		
Aluminum Bearing		•	•

Shelf Support

Metal/Die Components		•	•
Polymer Components	•		

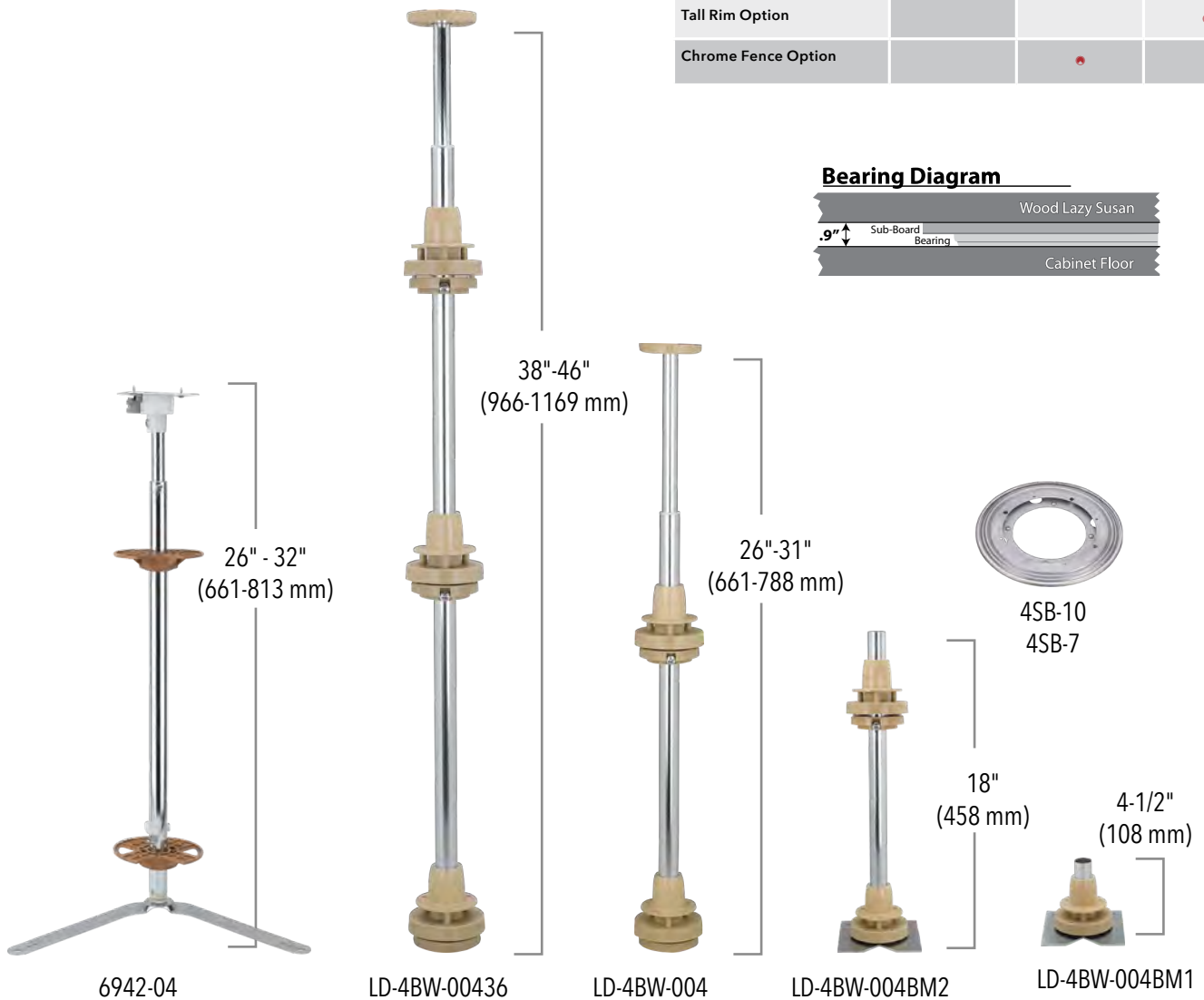
Hub

Polymer Hub	•		
Chrome Hub		•	•

Tray Rim

Doweled Butt Joint Rim	•		•
Finger Joint Rim		•	
Tall Rim Option			•
Chrome Fence Option		•	

Bearing Diagram



FULL CIRCLE SHELF



Banded Wood Lazy Daisy w/ Steel Bearing

PRODUCT	DESCRIPTION	DIMS	FINISH	SLP
LD-4BW-001-18SB-1	Single Shelf w/ 7" Steel Bearing	18" (458 mm) Diameter	Maple	\$68.60
LD-4BW-001-20SB-1	Single Shelf w/ 7" Steel Bearing	20" (508 mm) Diameter	Maple	\$70.50
LD-4BW-001-24SB-1	Single Shelf w/ 10" Steel Bearing	24" (610 mm) Diameter	Maple	\$93.05
LD-4BW-001-28SB-1	Single Shelf w/ 10" Steel Bearing	28" (712 mm) Diameter	Maple	\$105.00
LD-4BW-001-32SB-1	Single Shelf w/ 10" Steel Bearing	32" (813 mm) Diameter	Maple	\$126.60

(2) Shelf Banded Wood Lazy Daisy w/ 26"-31" (660-788 mm) Telescoping Post

LD-4BW-062-18-1	(2) Shelf Set	18" (458 mm) Diameter	Maple	\$152.30
LD-4BW-062-20-1	(2) Shelf Set	20" (508 mm) Diameter	Maple	\$156.80
LD-4BW-062-24-1	(2) Shelf Set	24" (610 mm) Diameter	Maple	\$186.45
LD-4BW-062-28-1	(2) Shelf Set	28" (712 mm) Diameter	Maple	\$211.85
LD-4BW-062-32-1	(2) Shelf Set	32" (813 mm) Diameter	Maple	\$253.85

(3) Shelf Banded Wood Lazy Daisy w/ 38"-46" (965-1169 mm) Telescoping Post

LD-4BW-063-1836-1	(3) Shelf Set	18" (458 mm) Diameter	Maple	\$240.20
LD-4BW-063-2036-1	(3) Shelf Set	20" (508 mm) Diameter	Maple	\$246.35

*Note: Non-drilled trays without bearings are available, remove "SB" from product number.

FULL CIRCLE SHELF BULK



Banded Wood Lazy Daisy w/ Steel Bearing

PRODUCT	DESCRIPTION	DIMS	FINISH	SLP
LD-4BW-001-18SB-8	(8) Single Shelves w/ 7" Steel Bearing	18" (458 mm) Diameter	Maple	\$ 65.40 ea.
LD-4BW-001-20SB-8	(8) Single Shelves w/ 7" Steel Bearing	20" (508 mm) Diameter	Maple	\$65.75 ea.
LD-4BW-001-24SB-8	(8) Single Shelves w/ 10" Steel Bearing	24" (610 mm) Diameter	Maple	\$87.95 ea.
LD-4BW-001-28SB-8	(8) Single Shelves w/ 10" Steel Bearing	28" (712 mm) Diameter	Maple	\$100.20 ea.
LD-4BW-001-32SB-8	(8) Single Shelves w/ 10" Steel Bearing	32" (813 mm) Diameter	Maple	\$114.60 ea.

FULL CIRCLE SHELF/HARDWARE BULK



Drilled Banded Wood Lazy Daisy - No Hardware

PRODUCT	DESCRIPTION	DIMS	FINISH	SLP
LD-4BW-041-18-8	(8) Shelves	18" (458 mm) Diameter	Maple	\$54.40 ea.
LD-4BW-041-20-8	(8) Shelves	20" (508 mm) Diameter	Maple	\$56.30 ea.
LD-4BW-041-24-8	(8) Shelves	24" (610 mm) Diameter	Maple	\$67.85 ea.
LD-4BW-041-28-8	(8) Shelves	28" (712 mm) Diameter	Maple	\$81.25 ea.
LD-4BW-041-32-8	(8) Shelves	32" (813 mm) Diameter	Maple	\$98.35 ea.

Hardware

LD-4BW-004-10	(10) 26"-31" (660 mm -787 mm) Telescoping Posts		Zinc/Almond	\$32.40 ea.
LD-4BW-00436-4	(4) 38"-46" (965 mm -1168 mm) Telescoping Posts		Zinc/Almond	\$54.20 ea.
LD-4BW-004-4	(4) 26"-31" Telescoping Shaft		Zinc/Almond	\$35.15 ea.
LD-4BW-004BM1-8	Single Bottom Mount		Zinc/Almond	\$20.55 ea.
LD-4BW-004BM2-4	Double Bottom Mount		Zinc/Almond	\$26.80 ea.

PIE CUT SHELF AND BULK



(Attaches to the cabinet door)

(2) Shelf Banded Wood Lazy Daisy w/ Hardware

PRODUCT	DESCRIPTION	DIMS	FINISH	SLP
LD-4BW-942-28-1	(2) Shelf Set	28" (712 mm) Diameter	Maple	\$252.35

Drilled Banded Wood Lazy Daisy - No Hardware

LD-4BW-941-28-8	(8) Single Shelves	28" (712 mm) Diameter	Maple	\$93.80 ea.
-----------------	--------------------	-----------------------	-------	-------------

Lazy Daisy Banded Wood Pie Cut Hardware

6940-04-28P-4	(6) 26"-32" (660- 813 mm) Telescoping Posts		Maple	\$66.00 ea.
---------------	---	--	-------	-------------

D-SHAPE SHELF



Banded Wood Lazy Daisy w/ Steel Bearing

PRODUCT	DESCRIPTION	DIMS	FINISH	SLP
LD-4BW-201-20SBS-1	Single Shelf w/ 7" Steel Bearing	20" (508 mm) Diameter	Maple	\$75.30
LD-4BW-201-28SBS-1	Single Shelf w/ 7" Steel Bearing	28" (712 mm) Diameter	Maple	\$106.00
LD-4BW-201-32SBS-1	Single Shelf w/ 10" Steel Bearing	32" (813 mm) Diameter	Maple	\$124.40

(2) Shelf Banded Wood Lazy Daisy w/ 26"-31" (660-788 mm) Telescoping Post

LD-4BW-262-20-1	(2) Shelf Set	20" (508 mm) Diameter	Maple	\$156.60
LD-4BW-262-28-1	(2) Shelf Set	28" (712 mm) Diameter	Maple	\$210.75
LD-4BW-262-32-1	(2) Shelf Set	32" (813 mm) Diameter	Maple	\$254.80

(3) Shelf Banded Wood Lazy Daisy w/ 38"-46" (965-1169 mm) Telescoping Post

LD-4BW-263-2036-1	(3) Shelf Set	20" (508 mm) Diameter	Maple	\$246.05
-------------------	---------------	-----------------------	-------	----------

*Note: Non-drilled trays without bearings are available, remove "SBS" from product number.

D-SHAPED SHELF BULK



Banded Wood Lazy Daisy w/ Steel Bearing

PRODUCT	DESCRIPTION	DIMS	FINISH	SLP
LD-4BW-201-20SBS-8	(8) Single Shelves w/ 7" Steel Bearing	20" (508 mm) Diameter	Maple	\$69.65 ea.
LD-4BW-201-28SBS-8	(8) Single Shelves w/ 7" Steel Bearing	28" (712 mm) Diameter	Maple	\$98.45 ea.
LD-4BW-201-32SBS-8	(8) Single Shelves w/ 10" Steel Bearing	32" (813 mm) Diameter	Maple	\$114.80 ea.

*Note: Non-drilled trays without bearings are available, remove "SBS" from product number.

D-SHAPED SHELF/HARDWARE BULK



Drilled Banded Wood Lazy Daisy - No Hardware

PRODUCT	DESCRIPTION	DIMS	FINISH	SLP
LD-4BW-241-20-8	(8) Single Shelves	20" (508 mm) Diameter	Maple	\$55.10 ea.
LD-4BW-241-28-8	(8) Single Shelves	28" (712 mm) Diameter	Maple	\$77.15 ea.
LD-4BW-241-32-8	(8) Single Shelves	32" (813 mm) Diameter	Maple	\$96.60 ea.

Hardware

LD-4BW-204-4	(4) 26"-31" (660 mm -787 mm) Telescoping Posts		Maple	\$31.65 ea.
LD-4BW-20436-4	(4) 38"-46" (965 mm -1168 mm) Telescoping Posts		Maple	\$53.10 ea.
LD-4BW-204BM1-8	(8) Bottom Mounts		Maple	\$23.15 ea.
LD-4BW-204BM2-4	(4) Double Bottom Mounts		Maple	\$29.25 ea.

KIDNEY SHAPED SHELF



Hinged door; Not attached

Banded Wood Lazy Daisy w/ Steel Bearing and Stop

PRODUCT	DESCRIPTION	DIMS	FINISH	SLP
LD-4BW-401-28SBS-1	Single Shelf w/ 10" Steel Bearing	28" (712 mm) Diameter	Maple	\$105.90
LD-4BW-401-32SBS-1	Single Shelf w/ 10" Steel Bearing	32" (813 mm) Diameter	Maple	\$127.00

(2) Shelf Banded Wood Lazy Daisy w/ 26"-31" (660-788 mm) Telescoping Post

LD-4BW-472-24-1	(2) Shelf Set	24" (610 mm) Diameter	Maple	\$186.30
LD-4BW-472-28-1	(2) Shelf Set	28" (712 mm) Diameter	Maple	\$211.85
LD-4BW-472-32-1	(2) Shelf Set	32" (813 mm) Diameter	Maple	\$255.05

*Note: Non-drilled trays without bearings are available, remove "SBS" from product number.

KIDNEY SHAPE SHELF BULK



Hinged door; Not attached

Banded Wood Lazy Daisy w/ Steel Bearing and Stop

PRODUCT	DESCRIPTION	DIMS	FINISH	SLP
LD-4BW-401-28SBS-8	(8) Single Shelves w/ 10" Steel Bearing	28" (712 mm) Diameter	Maple	\$96.90 ea.
LD-4BW-401-32SBS-8	(8) Single Shelves w/ 10" Steel Bearing	32" (813 mm) Diameter	Maple	\$108.15 ea.

Drilled Banded Wood Lazy Daisy - No Hardware

LD-4BW-441-24-8	(8) Single Shelves	24" (610 mm) Diameter	Maple	\$69.90 ea.
LD-4BW-441-28-8	(8) Single Shelves	28" (712 mm) Diameter	Maple	\$79.20 ea.
LD-4BW-441-32-8	(8) Single Shelves	32" (813 mm) Diameter	Maple	\$95.60 ea.

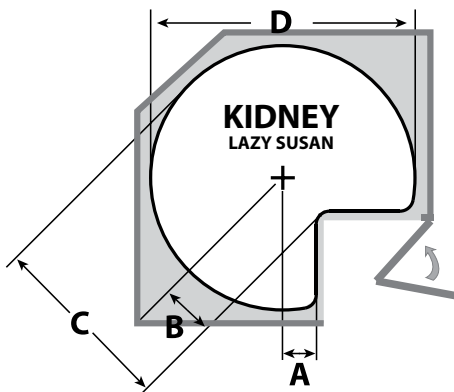
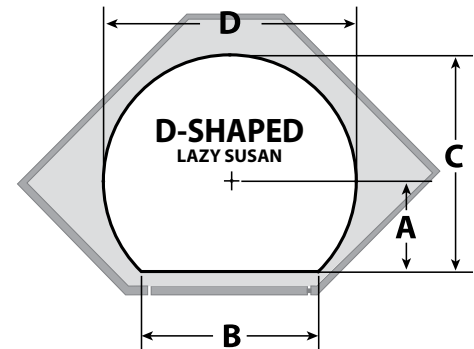
*Note: Non-drilled trays without bearings are available, remove "SBS" from product number.

SPECIFICATIONS

BANDED WOOD SHELVES

Shelf	Material	Series	A	B	C	D	Post System
20" D-Shape	Maple	LD-4BW	8-7/8"	6-7/8"	18-1/2"	19-1/2"	1" IND
28" D-Shape	Maple	LD-4BW	11-5/8"	13-1/4"	25-1/2"	27-3/4"	1" IND
32" D-Shape	Maple	LD-4BW	13-7/8"	13-7/8"	29-3/4"	31-3/4"	1" IND

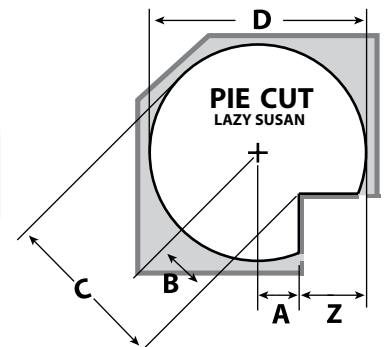
IND. = Independent Rotating System



Shelf	Material	Series	A	B	C	D	Post System
24" Kidney	wood	LD-4BW	1-1/2"	2-3/8"	14-3/8"	24"	1" IND.
28" kidney	wood	LD-4BW	2-7/8"	4-3/8"	18-1/4"	27-3/4"	1" IND.
32" kidney	wood	LD-4BW	4"	6"	21-7/8"	31-3/4"	1" IND.

IND. = Independent Rotating System

(Attaches to the cabinet door)



Shelf	Material	Series	A	B	C	D	Z	Post System
28" Pie Cut	Maple	LD-4BW	3"	4-1/4"	18-1/8"	27-3/4"	10-7/8" + 1/8" gap	1" DEP

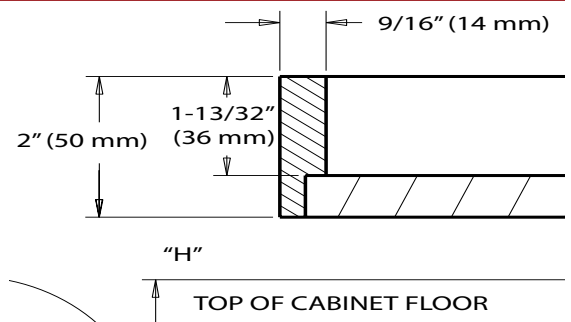
DEP. = Dependent Rotating System

For custom applications a trial installation is recommended.
Door edge profile, thickness, and gaps all factor in installation.

LIP SPECIFICATIONS

BANDED WOOD SHELVES

Hardware	Tray Shape	"H"
Steel Bearing	FC, Kidney and D-Shaped	7/8" (23 mm)
Telescopic Post	Full Circle	1-13/32" (36 mm)
Telescopic Post	Kidney and D-Shaped	1-11/64" (30 mm)
Telescopic Post	Pie Cut	1-57/64" (48 mm)



▶▶▶ Lazy Susan Light Kit



Everything you need to light up your corner or base cabinet in one easy kit!

- 23" Angled Elli® LED Linear Light
- Door Sensor
- Plug-In Power Supply
 - 6W
 - Includes Easy Snap Block
- Wire Management Clips

Lazy Susan Lighting Kit

Part #	Description	Suggested List
L-LED-LSKA1-1	Lazy Susan Light Kit	\$203.00

Lazy Susan

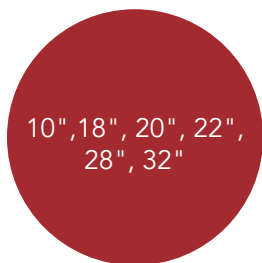
Wood Classic

- 1-5/8" Solid wood frame
- Finger joint
- 5/8" thick natural maple shelf bottom
- Chrome hardware
- Aluminum bearings
- TSCA Title VI compliant

For part number and pricing see page 368. See page 371 for specifications.



Tray Configurations



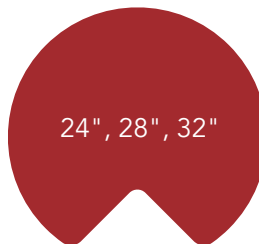
10", 18", 20", 22",
28", 32"

Full Circle



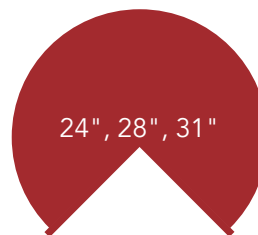
20", 22", 31"

D-Shaped



24", 28", 32"

Kidney Shaped



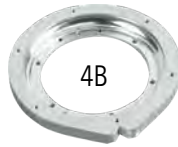
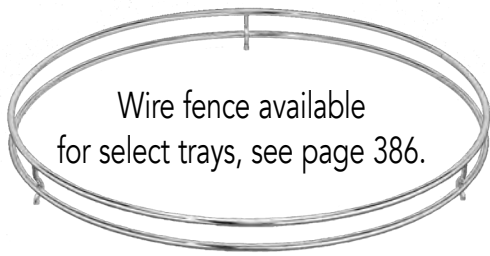
24", 28", 31"

Pie Cut



32", 35", 38"

Half Moon



Hardware

	Banded	Wood Classic	Natural
Telescoping Post		•	•
Twist-n-Lock Post	•		
Bottom Mount	•	•	•
HD Bottom Mount		•	•
Steel Bearing	•		
Aluminum Bearing		•	•

Shelf Support

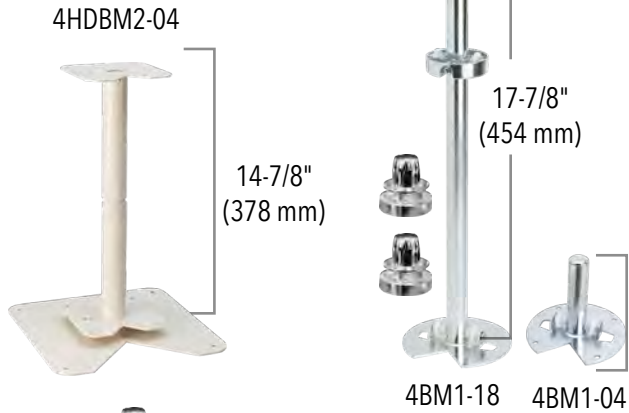
Metal/Die Components		•	•
Polymer Components	•		

Hub

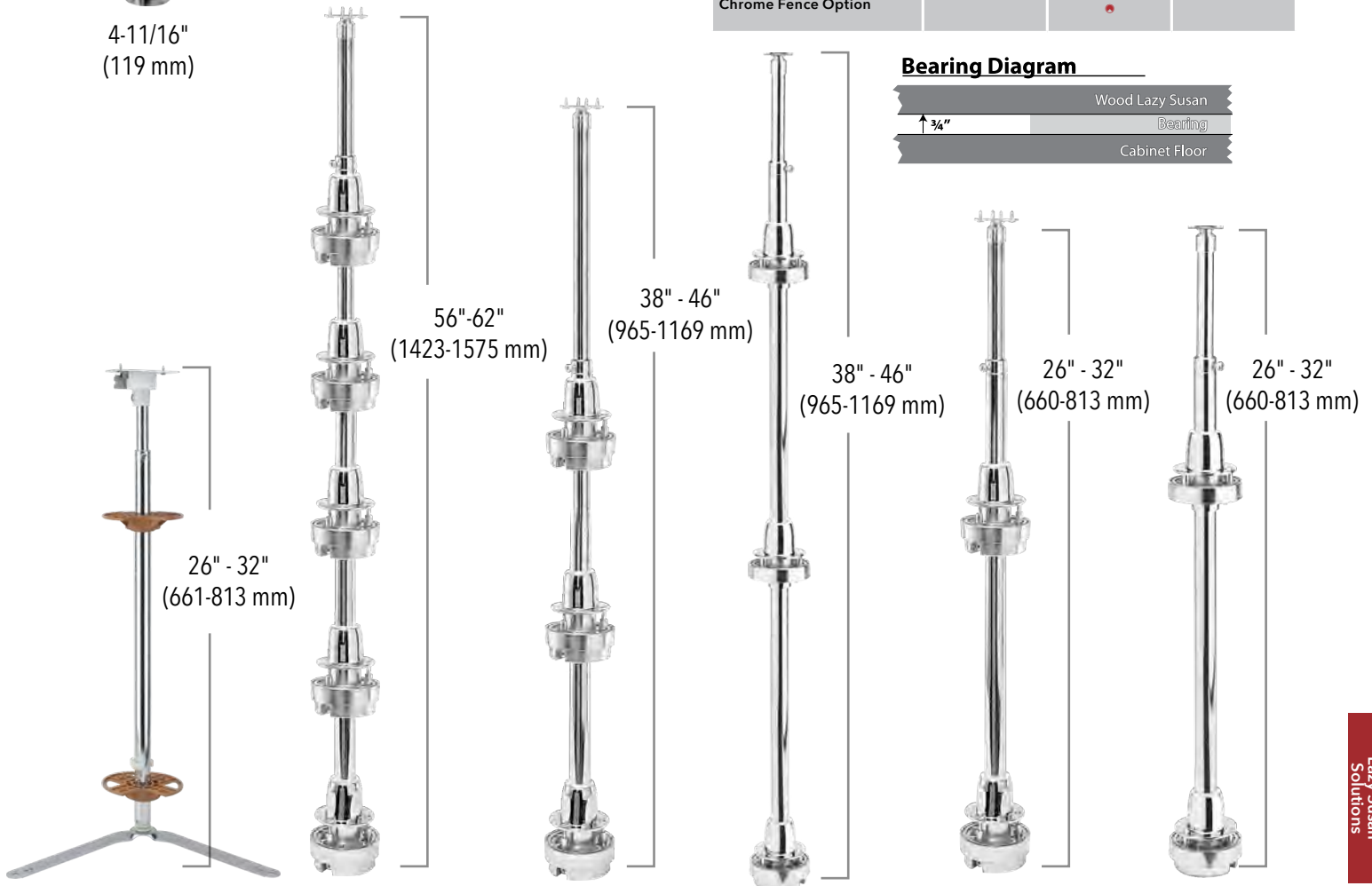
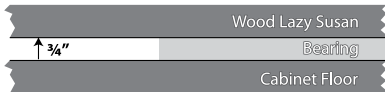
Polymer Hub	•		
Chrome Hub		•	•

Tray Rim

Doweled Butt Joint Rim	•		•
Finger Joint Rim		•	
Tall Rim Option			•
Chrome Fence Option		•	



Bearing Diagram



6942-04-28

6265-04-52

4WLS273-20-536

4WLS6073-04-436

4WLS6272-04

4WLS6072-04

FULL CIRCLE SHELF



Wood Classic Lazy Susan - No Hardware

PRODUCT	DESCRIPTION	DIMS	FINISH	SLP
4WLS001-18-52	Single Shelf	18" (457 mm) Diameter	Wood	\$84.50
4WLS001-20-52	Single Shelf	20" (508 mm) Diameter	Wood	\$96.25
4WLS001-28-52	Single Shelf	28" (712 mm) Diameter	Wood	\$137.05
4WLS001-32-52	Single Shelf	32" (813 mm) Diameter	Wood	\$154.90

Wood Classic Lazy Susan w/ Aluminum Bearing

4WLS001-10-B52	Single Shelf w/ 7" Aluminum Bearing	10" (254 mm) Diameter	Wood	\$77.45
4WLS001-18-B52	Single Shelf w/ 7" Aluminum Bearing	18" (457 mm) Diameter	Wood	\$95.55
4WLS001-20-B52	Single Shelf w/ 7" Aluminum Bearing	20" (508 mm) Diameter	Wood	\$107.40
4WLS001-28-B52	Single Shelf w/ 10" Aluminum Bearing	28" (712 mm) Diameter	Wood	\$146.35
4WLS001-32-B52	Single Shelf w/ 10" Aluminum Bearing	32" (813 mm) Diameter	Wood	\$160.80

(2) Shelf Wood Classic Lazy Susan w/ 26"-32" (660-813 mm) Telescoping Post

4WLS072-18-52	(2) Shelf Set	18" (457 mm) Diameter	Wood	\$218.95
4WLS072-20-52	(2) Shelf Set	20" (508 mm) Diameter	Wood	\$243.55
4WLS072-22-52	(2) Shelf Set	22" (559 mm) Diameter	Wood	\$278.00
4WLS072-28-52	(2) Shelf Set	28" (712 mm) Diameter	Wood	\$323.70
4WLS072-32-52	(2) Shelf Set	32" (813 mm) Diameter	Wood	\$369.15

(3) Shelf Wood Classic Lazy Susan w/ 38"-46" (965-1169 mm) Telescoping Post

4WLS073-18-536	(3) Shelf Set	18" (457 mm) Diameter	Wood	\$301.35
4WLS073-20-536	(3) Shelf Set	20" (508 mm) Diameter	Wood	\$306.70

NOTE: 4WLS073-536 denotes telescoping shaft 9¼" (235 mm) upper & 36" (915 mm) lower assembly for 38"-46" (889-1092 mm) inner cabinet height wall cabinets, (3) shelves, top & bottom pivots & fasteners. Positioning base without wheels 6260-77-2 mounts on base of cabinet.

FULL CIRCLE SHELF BULK



Wood Classic Lazy Susan -Must purchase steel bearing to attach to cabinet

PRODUCT	DESCRIPTION	DIMS	FINISH	SLP
4WLS001-18-8	(8) Single Shelves	18" (457 mm) Diameter	Wood	\$59.85 ea.
4WLS001-20-8	(8) Single Shelves	20" (508 mm) Diameter	Wood	\$71.50 ea.
4WLS001-22-8	(8) Single Shelves	22" (508 mm) Diameter	Wood	\$111.15 ea.
4WLS001-28-8	(8) Single Shelves	28" (712 mm) Diameter	Wood	\$110.65 ea.
4WLS001-32-8	(8) Single Shelves	32" (813 mm) Diameter	Wood	\$123.30 ea.

Hardware

4B-7-8	(8) 7" Aluminum Bearing		Aluminum	\$28.55 ea.
4B-10-8	(8) 10" Aluminum Bearing		Aluminum	\$32.35 ea.

Drilled Wood Classic Lazy Susan -Must purchase telescoping hardware to attach to cabinet

4WLS041-18-8	(8) Single Shelves	18" (457 mm) Diameter	Wood	\$63.25 ea.
4WLS041-20-8	(8) Single Shelves	20" (508 mm) Diameter	Wood	\$75.05 ea.
4WLS041-28-8	(8) Single Shelves	28" (712 mm) Diameter	Wood	\$114.35 ea.
4WLS041-32-8	(8) Single Shelves	32" (813 mm) Diameter	Wood	\$127.10 ea.

Hardware

4WLS6072-04-4	(4) 26"-32" (661-813 mm) Telescoping Posts		Chrome	\$61.05 ea.
4WLS6073-04-436	(4) 38"-46" (965-1169 mm) Telescoping Posts		Chrome	\$93.80 ea.

D-SHAPED SHELF



Wood Classic Lazy Susan - No Hardware

PRODUCT	DESCRIPTION	DIMS	FINISH	SLP
4WLS201-20-52	Single Shelf	20" (508 mm) Diameter	Wood	\$103.95
4WLS201-31-52	Single Shelf	31" (787 mm) Diameter	Wood	\$158.80

Wood Classic Lazy Susan w/ Aluminum Bearing

4WLS201-20-BS52	Single Shelf w/ 7" Aluminum Bearing	20" (508 mm) Diameter	Wood	\$124.50
4WLS201-22-BS52	Single Shelf w/ 7" Aluminum Bearing	22" (559 mm) Diameter	Wood	\$133.90
4WLS201-31-BS52	Single Shelf w/ 10" Aluminum Bearing	31" (787 mm) Diameter	Wood	\$181.90

(2) Shelf Wood Classic Lazy Susan w/ 26"-32" (660-813 mm) Telescoping Post

4WLS272-20-52	(2) Shelf Set	20" (508 mm) Diameter	Wood	\$270.00
4WLS272-22-52	(2) Shelf Set	22" (559 mm) Diameter	Wood	\$277.40
4WLS272-31-52	(2) Shelf Set	31" (787 mm) Diameter	Wood	\$394.20

(3) Shelf Wood Classic Lazy Susan w/ 38"-46" (965-1169 mm) Telescoping Post

4WLS273-20-536	(3) Shelf Set	20" (508 mm) Diameter	Wood	\$315.80
----------------	---------------	-----------------------	------	----------

D-SHAPED SHELF BULK



Wood Classic Lazy Susan - *Must purchase steel bearing to attach to cabinet*

PRODUCT	DESCRIPTION	DIMS	FINISH	SLP
4WLS201-20-8	(8) Single Shelves	20" (508 mm) Diameter	Wood	\$79.30 ea
4WLS201-31-8	(8) Single Shelves	31" (787 mm) Diameter	Wood	\$127.35 ea

Hardware

4BS-7-8	(8) 7" Aluminum Bearing w/ Stop		Aluminum	\$32.85 ea.
4BS-10-8	(8) 10" Aluminum Bearing w/ Stop		Aluminum	\$39.60 ea.

Wood Classic Lazy Susan w/ Aluminum Bearing and Stop

4WLS201-20-BS8	(8) Single Shelves w/ 7" Aluminum Bearing	20" (508 mm) Diameter	Wood	\$110.40 ea.
4WLS201-22-BS8	(8) Single Shelves w/ 7" Aluminum Bearing	22" (559 mm) Diameter	Wood	\$130.45 ea.
4WLS201-31-BS8	(8) Single Shelves w/ 10" Aluminum Bearing	31" (787 mm) Diameter	Wood	\$167.30 ea.

Drilled Wood Classic Lazy Susan *Must purchase telescoping hardware to attach to cabinet*

4WLS241-20-8	(8) Single Shelves	20" (508 mm) Diameter	Wood	\$82.95 ea.
4WLS241-31-8	(8) Single Shelves	22" (559 mm) Diameter	Wood	\$131.40 ea.

Hardware

4WLS6072-04-4	(4) 26"-32" (661-813 mm) Telescoping Posts		Chrome	\$61.05 ea.
4WLS6073-04-436	(4) 38"-46" (965-1169 mm) Telescoping Posts		Chrome	\$93.80 ea.

KIDNEY SHAPED SHELF



Hinged door; Not attached

Wood Classic Lazy Susan - No Hardware

PRODUCT	DESCRIPTION	DIMS	FINISH	SLP
4WLS401-24-52	Single Shelf	24" (610 mm) Diameter	Wood	\$127.15
4WLS401-28-52	Single Shelf	28" (712 mm) Diameter	Wood	\$131.95
4WLS401-32-52	Single Shelf	32" (813 mm) Diameter	Wood	\$154.70

Wood Classic Lazy Susan w/ Aluminum Bearing

4WLS401-28-BS52	Single Shelf w/ 7" Aluminum Bearing	28" (712 mm) Diameter	Wood	\$161.70
4WLS401-32-BS52	Single Shelf w/ 10" Aluminum Bearing	32" (813 mm) Diameter	Wood	\$172.30

(2) Shelf Wood Classic Lazy Susan w/ 26"-32" (660-813 mm) Telescoping Post

4WLS472-24-52	(2) Shelf Set	24" (610 mm) Diameter	Wood	\$286.85
4WLS472-28-52	(2) Shelf Set	28" (711 mm) Diameter	Wood	\$312.45
4WLS472-32-52	(2) Shelf Set	32" (813 mm) Diameter	Wood	\$369.65

NOTE: Positioning base with wheels 6260-95-2 mounts on base of cabinet. 24" Kidney is too small for swivel bearing w/stop hardware, therefore you must use post & pivot hardware. Bulk shelves (4WLS041) and hardware sold separately. Telescoping shaft assembly accommodates 26"-32" (660-813 mm) inner cabinet height, 1" (26 mm) diameter shaft system

KIDNEY SHAPED SHELF BULK



Hinged door; Not attached

Wood Classic Lazy Susan -Must purchase steel bearing to attach to cabinet

PRODUCT	DESCRIPTION	DIMS	FINISH	SLP
4WLS401-24-8	(8) Single Shelves	24" (610 mm) Diameter	Wood	\$95.50 ea.
4WLS401-28-8	(8) Single Shelves	28" (712 mm) Diameter	Wood	\$110.50 ea.
4WLS401-32-8	(8) Single Shelves	32" (813 mm) Diameter	Wood	\$123.50 ea.

Hardware

4BS-7-8	(8) 7" Aluminum Bearing w/ Stop		Aluminum	\$29.75 ea.
4BS-10-8	(8) 10" Aluminum Bearing w/ Stop		Aluminum	\$33.80 ea.

Drilled Wood Classic Lazy Susan -Must purchase telescoping hardware to attach to cabinet

4WLS441-24-8	(8) Single Shelves	24" (610 mm) Diameter	Wood	\$99.10 ea.
4WLS441-28-8	(8) Single Shelves	28" (712 mm) Diameter	Wood	\$114.35 ea.
4WLS441-32-8	(8) Single Shelves	32" (813 mm) Diameter	Wood	\$127.35 ea.

Hardware

4WLS6272-04-4	(4) 26"-32" (661-813 mm) Telescoping Posts		Chrome	\$64.95 ea.
4HDBM2-04-52	15" Heavy-Duty Two Tray Bottom Mount Shaft		Almond	\$60.05

HALF MOON SHELVES



(2) Shelf Wood Classic Lazy Susan w/ Pivot and Slides

PRODUCT	DESCRIPTION	DIMS	MCO	FINISH	SLP
4WLS882-32-570	(2) Shelf Set	32" (813 mm) Width	12" (305 mm)	Wood	\$380.60
4WLS882-35-570	(2) Shelf Set	35" (889 mm) Width	15" (381 mm)	Wood	\$437.35
4WLS882-38-570	(2) Shelf Set	38" (965 mm) Width	18" (457 mm)	Wood	\$502.10

NOTE: 35" is a half-back not a half moon

PIE CUT SHELVES



(Attaches to the cabinet door)

Wood Classic Lazy Susan - No Hardware

PRODUCT	DESCRIPTION	DIMS	FINISH	SLP
4WLS901-24-52	Single Shelf Drilled	24" (607 mm) Diameter	Wood	\$131.45
4WLS901-28-52	Single Shelf Drilled	28" (711 mm) Diameter	Wood	\$136.30
4WLS901-31-52	Single Shelf Drilled	31" (788 mm) Diameter	Wood	\$155.75

(2) Shelf Wood Classic Lazy Susan w/ 26"-32" (660-813 mm) Telescoping Post

4WLS942-2433-52	(2) Shelf Set for 33" Corner	24" (607 mm) Diameter	Wood	\$298.20
4WLS942-24P-52	(2) Shelf Set	24" (607 mm) Diameter	Wood	\$277.40
4WLS942-28P-52	(2) Shelf Set	28" (711 mm) Diameter	Wood	\$302.00
4WLS942-31P-52	(2) Shelf Set	31" (788 mm) Diameter	Maple	\$350.55

NOTES: Upper shelf is adjustable, lower shelf is in fixed position and shaft can not be altered (adjustment mechanism).

PIE CUT SHELVES BULK



(Attaches to the cabinet door)

Wood Classic Lazy Susan - No Hardware

PRODUCT	DESCRIPTION	DIMS	FINISH	SLP
4WLS901-2433-8	(8) - (2) Shelf Set for 33" Corner	24" (607 mm) Diameter	Wood	\$136.30 ea.
4WLS901-24-8	(8) - (2) Shelf Set	24" (607 mm) Diameter	Wood	\$99.40 ea.
4WLS901-28-8	(8) - (2) Shelf Set	28" (711 mm) Diameter	Wood	\$114.85 ea.
4WLS901-31-8	(8) - (2) Shelf Set	31" (788 mm) Diameter	Maple	\$135.90 ea.

PIE CUT HARDWARE BULK



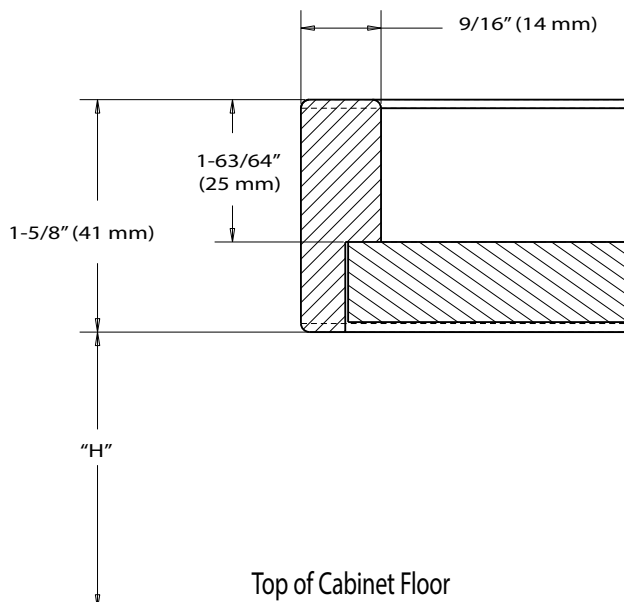
(Attaches to the cabinet door)

(2) Shelf Wood Classic Lazy Susan w/ 26"-32" (660-813 mm) Telescoping Post

PRODUCT	DESCRIPTION	DIMS	FINISH	SLP
4WLS940-04P-24-4	(4) 26"-32" (660-813 mm) Telescoping Posts		Chrome	\$53.40 ea.
4WLS940-04P-28-4	(4) 26"-32" (660-813 mm) Telescoping Posts		Chrome	\$53.40 ea.
4WLS940-04P-31-4	(4) 26"-32" (660-813 mm) Telescoping Posts		Chrome	\$58.35 ea.

LIP SPECIFICATIONS

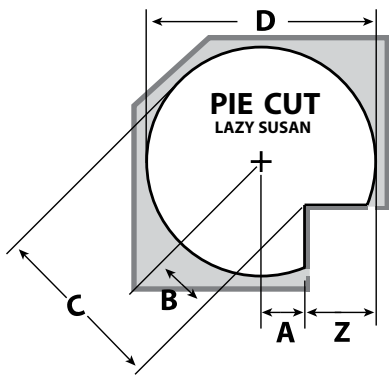
WOOD CLASSIC SHELVES



Wood LS	
Full Circle	"H"
4WLS001	3/4" (19 mm)
4WLS072	1-19/64" (33 mm)
4WLS073	1-19/64" (33 mm)
D-SHAPE	"H"
4WLS221	1-19/64" (33 mm)
4WLS201	3/4" (19 mm)
4WLS272	1-19/64" (33 mm)
4WLS273	1-19/64" (33 mm)
Pie-Cut	"H"
4WLS942	1-29/64" (37 mm)
Kidney	"H"
4WLS401	3/4" (19 mm)
4WLS472	1-19/64" (33 mm)
Half Moon	"H"
4WLS882	2-33/64" (64 mm)

Dimensions are for reference only, and may change based on hardware used, etc.

(Attaches to the cabinet door)



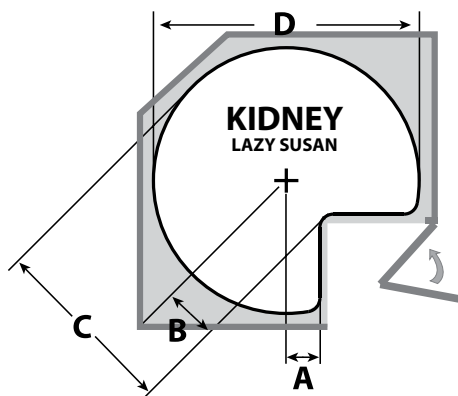
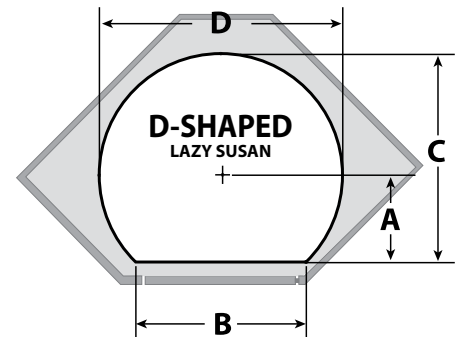
Shelf	Material	Series	A	B	C	D	Z	Post System
2433 Pie Cut	Wood	4WLS	4-9/16	6-7/16	18-7/16	24	7 7/16 + 1/8 gap	1" Dep.
24" Pie Cut	Wood	4WLS	1-3/8	1-15/16	13-15/16	24	10 9/16 + 1/8 gap	1" Dep.
28" Pie Cut	Wood	4WLS	3	4 1/4	18-1/8	28	10 7/8 + 1/8 gap	1" Dep.
31" Pie Cut	Wood	4WLS	5-1/16	7-1/8	22-7/16	31	10 5/16 + 1/8 gap	1" Dep.

DEP. = Dependent Rotating System

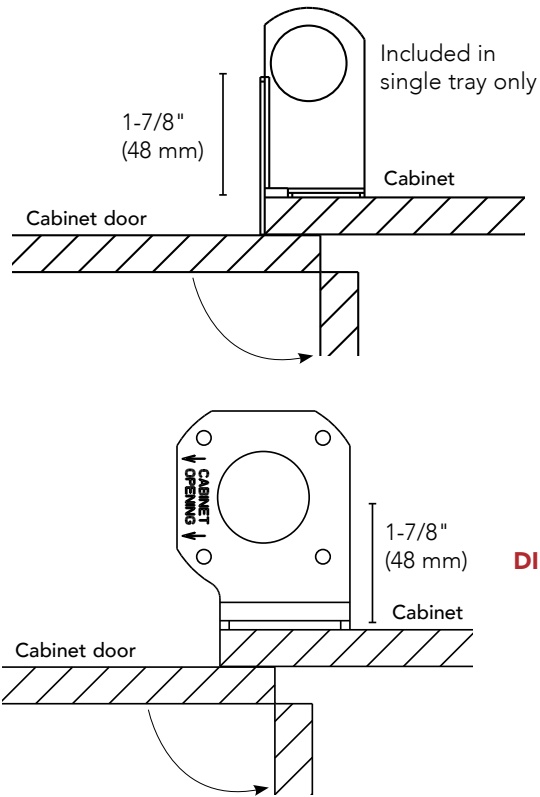
For custom applications, a trial installation is recommended. Door edge profile, thickness, and gaps all factor in installation.

Shelf	Material	Series	A	B	C	D	Post System
20" D-Shaped	Wood	4WLS	8-3/8	10-5/8	18-3/8	20	1" Ind.
22" D-Shaped	Wood	4WLS	7-3/16	16-5/8	18-3/16	22	1" Ind.
31" D-Shaped	Wood	4WLS	14	13	29-3/8	31	1" Ind.

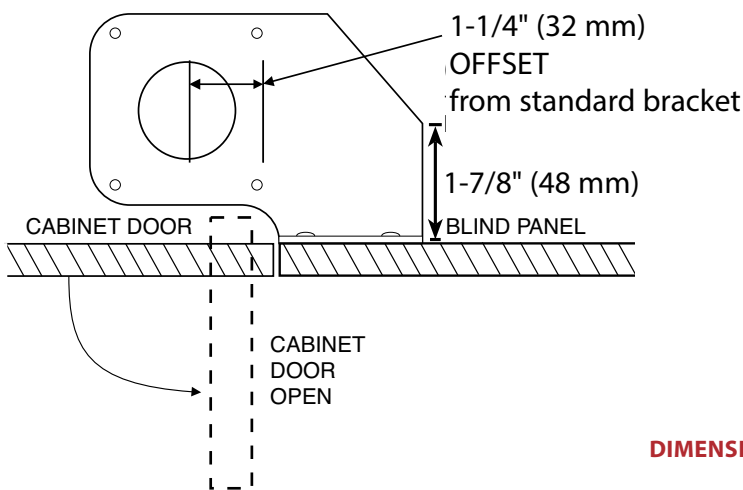
IND. = Independent Rotating System



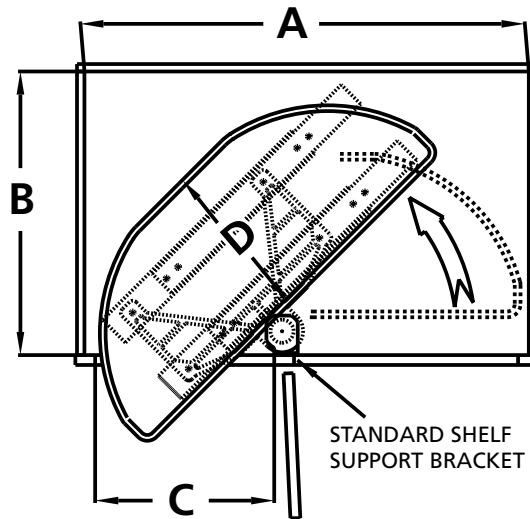
Shelf	Material	Series	A	B	C	D	Post System
24" Kidney	Wood	4WLS	1-7/16	2-3/8	14-3/8	23-15/16	1" Ind.
28" kidney	Wood	4WLS	2-7/8	4-3/8	18-1/4	27-3/4	1" Ind.
32" kidney	Wood	4WLS	4-1/16	6	21-15/16	31-3/4	1" Ind.



Standard Bracket



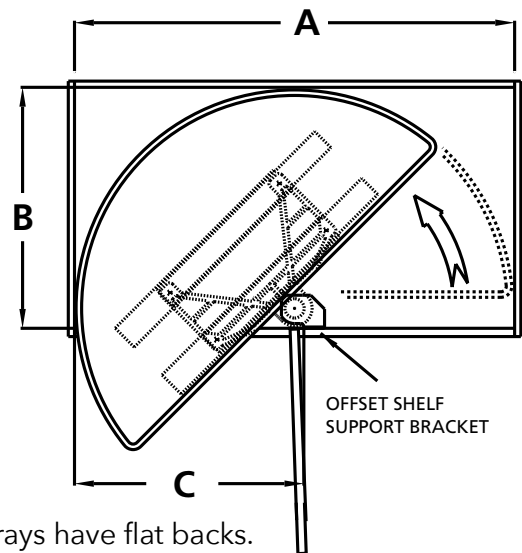
90° Hinge Bracket



FRAMED CABINET

DIMENSIONS (A, B, AND C ARE MINIMUMS. 32\"

NOM Tray size	A	B	C	D
32" (813 mm)	34-1/4" (870 mm)	22-5/8" (575 mm)	12" (305 mm)	11-1/8" (283 mm)
35" (889 mm)	37" (940 mm)	22" (559 mm)	15" (381 mm)	14-1/8" (359 mm)
38" (965 mm)	39-1/2" (1003 mm)	22" (559 mm)	18" (457 mm)	17-1/8" (435 mm)



Smaller Trays have flat backs.

FRAMELESS CABINET (EURO)

DIMENSIONS (A, B, AND C ARE MINIMUMS. 38\"

NOM Tray size	A	B	C
32" (813 mm)	34-1/8" (867 mm)	22-5/8" (575 mm)	13-1/4" (387 mm)
35" (889 mm)	35-3/16" (897 mm)	22" (559 mm)	16-1/4" (413 mm)
38" (965 mm)	38-9/16" (980 mm)	22" (559 mm)	19-1/4" (489 mm)

Lazy Susan

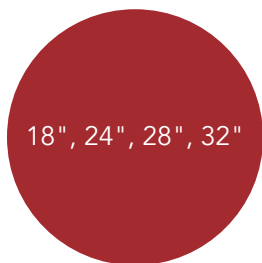
Natural Wood

- 2-3/8" steam bent rim (3-1/4" for tall)
- 5/8" thick natural maple shelf bottom
- Chrome hardware
- Doweled (2) butt joint
- Aluminum bearings
- TSCA Title VI compliant

For part number and pricing see page 376. See page 377 for specifications.



Shelf Configurations



18", 24", 28", 32"

Full Circle



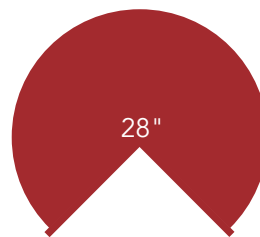
20", 28", 32"
(Available in Tall- except 28")

D-Shaped



18", 28", 32"
(Available in Tall- except 18")

Kidney Shaped



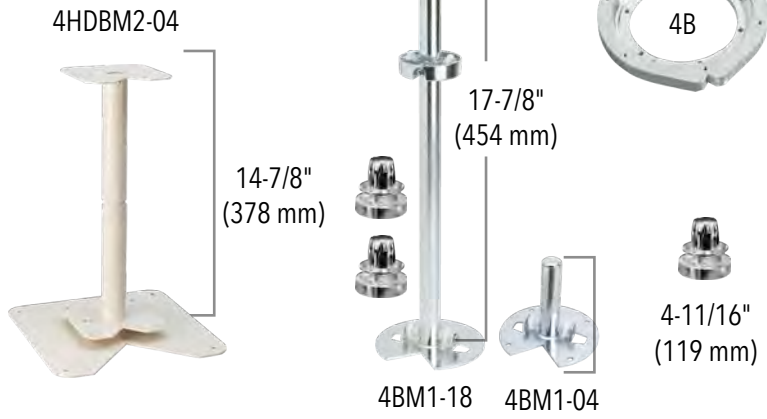
28"

Pie Cut



32", 35", 38"

Half Moon



Hardware

	Banded	Wood Classic	Natural
Telescoping Post		•	•
Twist-n-Lock Post	•		
Bottom Mount	•	•	•
HD Bottom Mount		•	•
Steel Bearing	•		
Aluminum Bearing		•	•

Shelf Support

Metal/Die Components		•	•
Polymer Components	•		

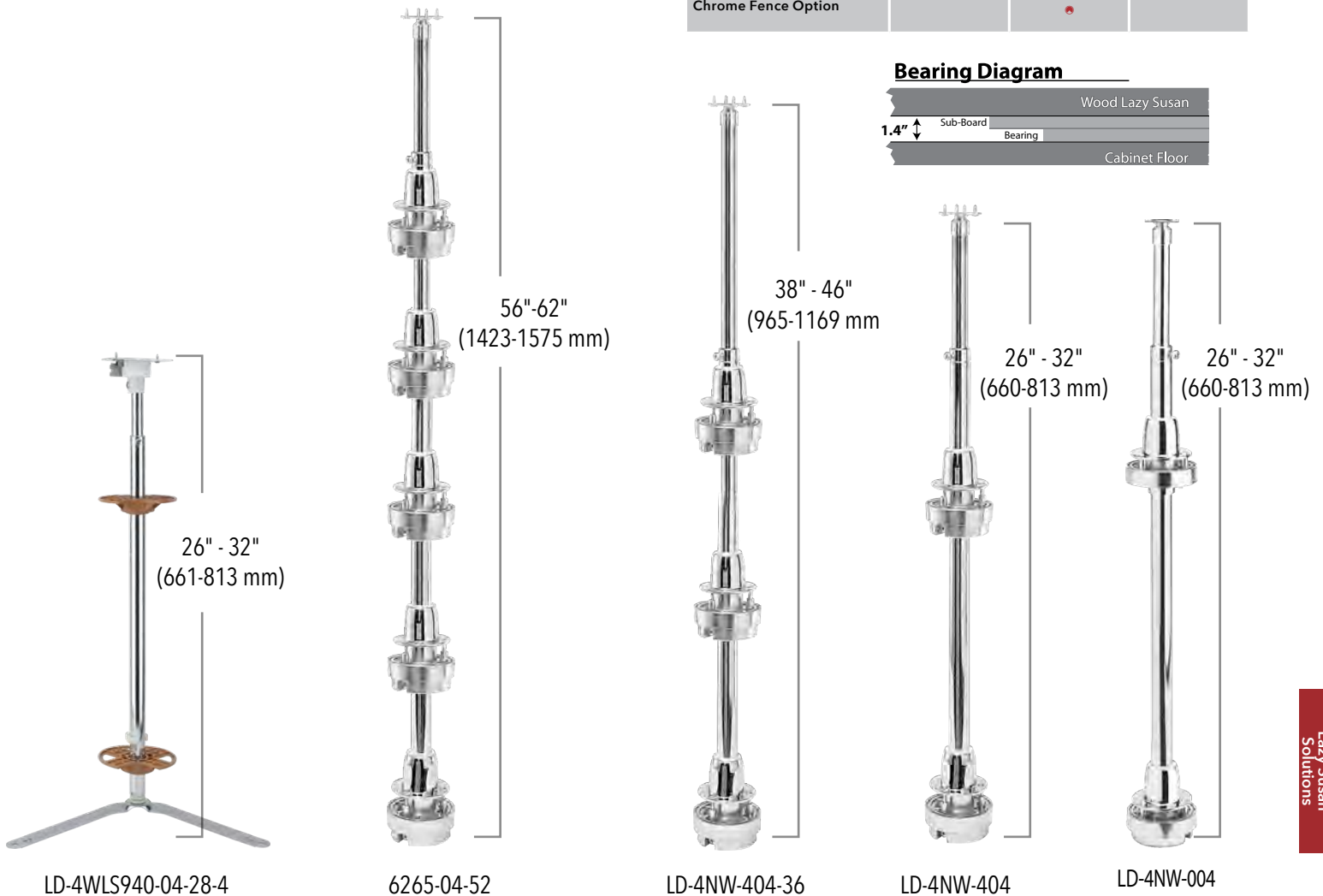
Hub

Polymer Hub	•		
Chrome Hub		•	•

Tray Rim

Doweled Butt Joint Rim	•		•
Finger Joint Rim		•	
Tall Rim Option			•
Chrome Fence Option		•	

Bearing Diagram



FULL CIRCLE SHELF



Natural Wood Lazy Daisy w/ Aluminum Bearing

PRODUCT	DESCRIPTION	DIMS	FINISH	SLP
LD-4NW-001-18B-1	Single Shelf w/ 7" Aluminum Bearing	18" (457 mm) Diameter	Maple	\$102.20
LD-4NW-001-24B-1	Single Shelf w/ 10" Aluminum Bearing	24" (609 mm) Diameter	Maple	\$143.15
LD-4NW-001-28B-1	Single Shelf w/ 10" Aluminum Bearing	28" (712 mm) Diameter	Maple	\$161.50
LD-4NW-001-32B-1	Single Shelf w/ 10" Aluminum Bearing	32" (813 mm) Diameter	Maple	\$194.00

(2) Shelf Natural Wood Lazy Daisy w/ 26"-32" (660-813 mm) Telescoping Post

LD-4NW-072-18-1	(2) Shelf Set	18" (457 mm) Diameter	Maple	\$208.20
LD-4NW-072-24-1	(2) Shelf Set	24" (609 mm) Diameter	Maple	\$279.95
LD-4NW-072-28-1	(2) Shelf Set	28" (712 mm) Diameter	Maple	\$315.95
LD-4NW-072-32-1	(2) Shelf Set	32" (813 mm) Diameter	Maple	\$363.65

(3) Shelf Natural Wood Lazy Daisy w/ 38"-46" (965-1169 mm) Telescoping Post

LD-4NW-073-1836-1	(3) Shelf Set	18" (457 mm) Diameter	Maple	\$310.70
-------------------	---------------	-----------------------	-------	----------

*Note: Non-drilled trays without bearings are available, remove "B" from product number.

FULL CIRCLE SHELF BULK



Natural Wood Lazy Daisy w/ Aluminum Bearing

PRODUCT	DESCRIPTION	DIMS	FINISH	SLP
LD-4NW-001-18B-8	(8) Single Shelves w/ 7" Aluminum Bearing	18" (457 mm) Diameter	Maple	\$991.90
LD-4NW-001-24B-8	(8) Single Shelves w/ 10" Aluminum Bearing	24" (609 mm) Diameter	Maple	\$127.05
LD-4NW-001-28B-8	(8) Single Shelves w/ 10" Aluminum Bearing	28" (712 mm) Diameter	Maple	\$157.40
LD-4NW-001-32B-8	(8) Single Shelves w/ 10" Aluminum Bearing	32" (813 mm) Diameter	Maple	\$175.60

Drilled Natural Wood Lazy Daisy - *Must purchase telescoping hardware to attach to cabinet*

LD-4NW-041-18-8	(8) Single Shelves	18" (457 mm) Diameter	Maple	\$62.65
LD-4NW-041-24-8	(8) Single Shelves	24" (609 mm) Diameter	Maple	\$95.60
LD-4NW-041-28-8	(8) Single Shelves	28" (712 mm) Diameter	Maple	\$116.70
LD-4NW-041-32-8	(8) Single Shelves	32" (813 mm) Diameter	Maple	\$137.05

Hardware

LD-4NW-0436-1	(4) 26"-32" (660-813 mm) Telescoping Posts		Chrome	\$100.50 ea.
LD-4NW-004-4	(4) 38"-46" (965-1169 mm) Telescoping Posts		Chrome	\$68.00 ea.

*Note: Non-drilled trays without bearings are available, remove "B" from product number.

PIE CUT SHELF



(Attaches to the cabinet door)

(2) Shelf Natural Wood Lazy Daisy w/ 26"-32" (660-813 mm) Telescoping Post

PRODUCT	DESCRIPTION	DIMS	FINISH	SLP
LD-4NW-942-28-1	(2) Shelf Set	28" (712 mm) Diameter	Maple	\$325.05

Drilled Natural Wood Lazy Daisy - *Must purchase telescoping hardware to attach to cabinet*

LD-4NW-901-28-8	(8)-(2) Shelf Sets	28" (712 mm) Diameter	Maple	\$128.30 ea.
-----------------	--------------------	-----------------------	-------	--------------

Hardware

LD-4WLS940-04-28-4	(4) 26"-32" (660-813 mm) Telescoping Posts		Chrome	\$62.95 ea.
--------------------	--	--	--------	-------------

HALF MOON SHELF



(2) Shelf Natural Wood Lazy Daisy w/ Pivot and Slides

PRODUCT	DESCRIPTION	DIMS	FINISH	SLP
LD-4NW-882-32-1	(2) Shelf Set	32" (813 mm) Diameter	Maple	\$365.30
LD-4NW-882-35-1	(2) Shelf Set	35" (889 mm) Diameter	Maple	\$418.90
LD-4NW-882-38-1	(2) Shelf Set	38" (965 mm) Diameter	Maple	\$453.35

D-SHAPED SHELF



Natural Wood Lazy Daisy w/ Aluminum Bearing and Stop

PRODUCT	DESCRIPTION	DIMS	FINISH	SLP
LD-4NW-201-20BS-1	Single Shelf w/ 7" Aluminum Bearing	20" (508 mm) Diameter	Maple	\$140.75
LD-4NW-201-28BS-1	Single Shelf w/ 10" Aluminum Bearing	28" (712 mm) Diameter	Maple	\$165.55
LD-4NW-201-32BS-1	Single Shelf w/ 10" Aluminum Bearing	32" (813 mm) Diameter	Maple	\$198.65

Tall Natural Wood Lazy Daisy w/ Aluminum Bearing and Stop

LD-4NW-072-18-1	Single Shelf w/ 7" Aluminum Bearing	20" (508 mm) Diameter	Maple	\$205.90
LD-4NW-072-24-1	Single Shelf w/ 10" Aluminum Bearing	32" (813 mm) Diameter	Maple	\$276.35

(2) Shelf Natural Wood Lazy Daisy w/ 26"-32" (660-813 mm) Telescoping Post

LD-4NW-272-20-1	(2) Shelf Set	20" (508 mm) Diameter	Maple	\$249.80
LD-4NW-272-28-1	(2) Shelf Set	28" (712 mm) Diameter	Maple	\$319.35
LD-4NW-272-32-1	(2) Shelf Set	32" (813 mm) Diameter	Maple	\$367.70

D-SHAPED SHELF BULK



Natural Wood Lazy Daisy w/ Aluminum Bearing and Stop

PRODUCT	DESCRIPTION	DIMS	FINISH	SLP
LD-4NW-201-20BS-8	(8) Single Shelves w/ 7" Bearing	20" (508 mm) Diameter	Maple	\$127.75 ea.
LD-4NW-201-28BS-8	(8) Single Shelves w/ 10" Bearing	28" (712 mm) Diameter	Maple	\$148.60 ea.
LD-4NW-201-32BS-8	(8) Single Shelves w/ 10" Bearing	32" (813 mm) Diameter	Maple	\$178.80 ea.

Tall Natural Wood Lazy Daisy w/ Aluminum Bearing and Stop

LD-4NW-201-20TBS-6	(6) Single Shelves w/ 7" Bearing	20" (508 mm) Diameter	Maple	\$144.10 ea.
LD-4NW-201-32TBS-6	(6) Single Shelves w/ 10" Bearing	32" (813 mm) Diameter	Maple	\$227.05 ea.

Drilled Natural Wood Lazy Daisy - *Must purchase telescoping hardware to attach to cabinet*

LD-4NW-241-20-8	(8) Single Shelves	20" (508 mm) Diameter	Maple	\$88.65 ea.
LD-4NW-241-28-8	(8) Single Shelves	28" (712 mm) Diameter	Maple	\$101.25 ea.
LD-4NW-241-32-8	(8) Single Shelves	32" (813 mm) Diameter	Maple	\$129.95 ea.

Drilled Tall Natural Wood Lazy Daisy - *Must purchase telescoping hardware to attach to cabinet*

LD-4NW-241-20T-6	(6) Single Shelves	20" (508 mm) Diameter	Maple	\$104.30 ea.
LD-4NW-241-32T-6	(6) Single Shelves	32" (813 mm) Diameter	Maple	\$172.40 ea.

Hardware

LD-4NW-404-4	(4) 26"-32" (660-813 mm) Telescoping Posts	Chrome	\$68.00 ea.
LD-4NW-404T-3	(3) Tall 26"-32" (660-813 mm) Telescoping Posts	Chrome	\$68.00 ea.
LD-4NW-404-36-4	(4) 38"-46" (965-1169 mm) Telescoping Posts	Chrome	\$96.30 ea.

*Note: Non-drilled trays without bearings are available, remove "BS" from product number.

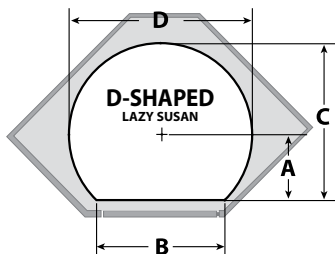
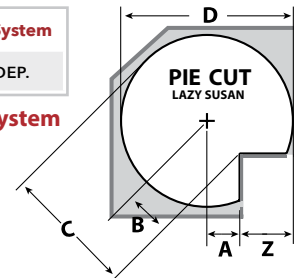
SPECIFICATIONS

NATURAL WOOD SHELVES

Shelf	Material	Series	A	B	C	D	Z	Post System
28" Pie Cut	Maple	LD-4NW	3"	4-1/4"	18-1/8"	27-3/4"	10-7/8" + 1/8 gap	1" DEP.

For custom applications, a trial installation is recommended.
Door edge profile, thickness, and gaps all factor in installation.

DEP. = Dependent Rotating System



Shelf	Material	Series	A	B	C	D	Post System
20" D-Shape	Maple	LD-4NW	8-3/8"	9-7/8"	18-1/8"	19-1/2"	1" IND
28" D-Shape	Maple	LD-4NW	11-7/8"	14-1/2"	25-3/4"	27-3/4"	1" IND.
32" D-Shape	Maple	LD-4NW	13-1/2"	16-3/4"	29-3/8"	31-3/4"	1" IND.

IND. = Independent Rotating System

KIDNEY SHAPED SHELF



Hinged door; Not attached

Natural Wood Lazy Daisy w/ Aluminum Bearing and Stop

PRODUCT	DESCRIPTION	DIMS	FINISH	SLP
LD-4NW-401-28BS-1	Single Shelf w/ 7" Aluminum Bearing	28" (712 mm) Diameter	Maple	\$168.20
LD-4NW-401-32BS-1	Single Shelf w/ 10" Aluminum Bearing	32" (813 mm) Diameter	Maple	\$192.15

Tall Natural Wood Lazy Daisy w/ Aluminum Bearing and Stop

LD-4NW-401-28TBS-1	Single Shelf w/ 7" Aluminum Bearing	28" (712 mm) Diameter	Maple	\$200.55
LD-4NW-401-32TBS-1	Single Shelf w/ 10" Aluminum Bearing	32" (813 mm) Diameter	Maple	\$245.80

(2) Shelf Natural Wood Lazy Daisy w/ 26"-32" (660-813 mm) Telescoping Post

LD-4NW-472-18-1	(2) Shelf Set	18" (457 mm) Diameter	Maple	\$204.50
LD-4NW-472-28-1	(2) Shelf Set	28" (712 mm) Diameter	Maple	\$329.55
LD-4NW-472-32-1	(2) Shelf Set	32" (813 mm) Diameter	Maple	\$376.15

*Note: Non-drilled trays without bearings are available, remove "BS" from product number.

KIDNEY SHAPED SHELF BULK



Hinged door; Not attached

Natural Wood Lazy Daisy w/ Aluminum Bearing and Stop

PRODUCT	DESCRIPTION	DIMS	FINISH	SLP
LD-4NW-401-28BS-8	(8) Single Shelves w/ 7" Bearing	28" (712 mm) Diameter	Maple	\$149.10 ea.
LD-4NW-401-32BS-8	(8) Single Shelves w/ 10" Bearing	32" (813 mm) Diameter	Maple	\$182.40 ea.

Tall Natural Wood Lazy Daisy w/ Aluminum Bearing and Stop

LD-4NW-401-28TBS-6	(6) Single Shelves w/ 7" Bearing	28" (712 mm) Diameter	Maple	\$185.15 ea.
LD-4NW-401-32TBS-6	(6) Single Shelves w/ 10" Bearing	32" (813 mm) Diameter	Maple	\$226.70 ea.

Drilled Natural Wood Lazy Daisy - Must purchase telescoping hardware to attach to cabinet

LD-4NW-441-18-8	(8) Single Shelves	18" (457 mm) Diameter	Maple	\$62.65 ea.
LD-4NW-441-28-8	(8) Single Shelves	28" (712 mm) Diameter	Maple	\$110.60 ea.
LD-4NW-441-32-8	(8) Single Shelves	32" (813 mm) Diameter	Maple	\$138.80 ea.

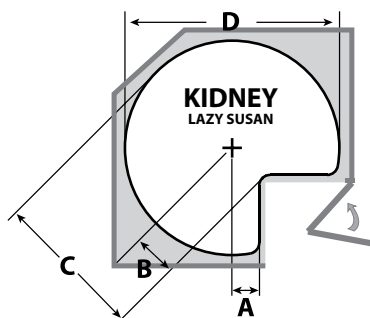
Drilled Tall Natural Wood Lazy Daisy - Must purchase telescoping hardware to attach to cabinet

LD-4NW-441-28T-6	(6) Single Shelves	28" (712 mm) Diameter	Maple	\$139.95 ea.
LD-4NW-441-32T-6	(6) Single Shelves	32" (813 mm) Diameter	Maple	\$175.55 ea.

Hardware

LD-4NW-404-4	(4) 26"-32" (660-813 mm) Telescoping Posts		Chrome	\$68.00 ea.
LD-4NW-404T-3	(3) Tall 26"-32" (660-813 mm) Telescoping Posts		Chrome	\$68.00 ea.
LD-4NW-404-36-4	(4) 38"-46" (965-1169 mm) Telescoping Posts		Chrome	\$96.30 ea.

*Note: Non-drilled trays without bearings are available, remove "BS" from product number.



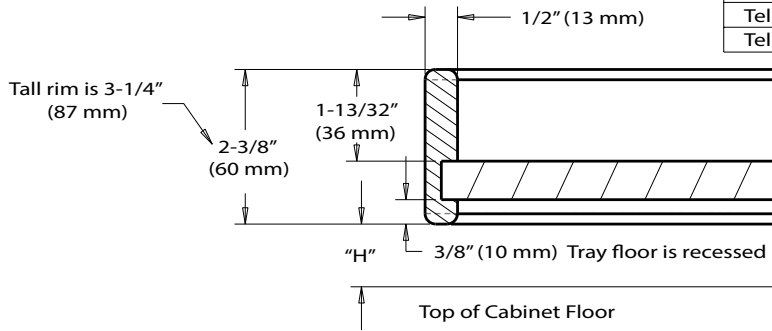
Shelf	Material	Series	A	B	C	D	Post System
18" Kidney	Maple	LD-4NW	1-7/8"	2-9/16"	11-1/2"	18"	1" IND.
24" Kidney	Maple	LD-4NW	1-7/8"	2-1/2"	11-1/2"	24"	1" IND.
28" kidney	Maple	LD-4NW	3"	4-1/4"	18-1/8"	27-3/4"	1" IND.
32" kidney	Maple	LD-4NW	4"	5-3/4"	21-5/8"	31-3/4"	1" IND.

IND. = Independent Rotating System

LIP SPECIFICATIONS

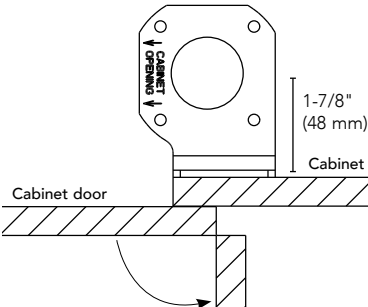
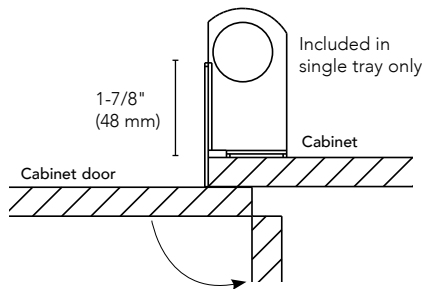
NATURAL WOOD SHELVES

Hardware	Tray Shape	"H"
Aluminum	FC, Kidney and D-Shape	31/32" (24 mm)
Telescopic Shaft	Full Circle	7/8" (22 mm)
Telescopic Shaft	Kidney and D-Shape	31/32" (24 mm)
Telescopic Shaft	Pie-Cut	1-3/4" (45 mm)

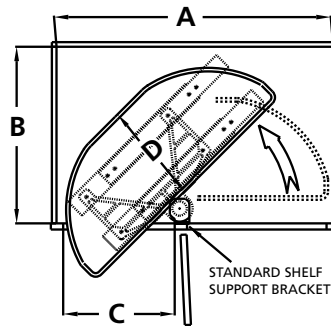


SPECIFICATIONS

HALF-MOON NATURAL WOOD SHELVES



Standard Bracket

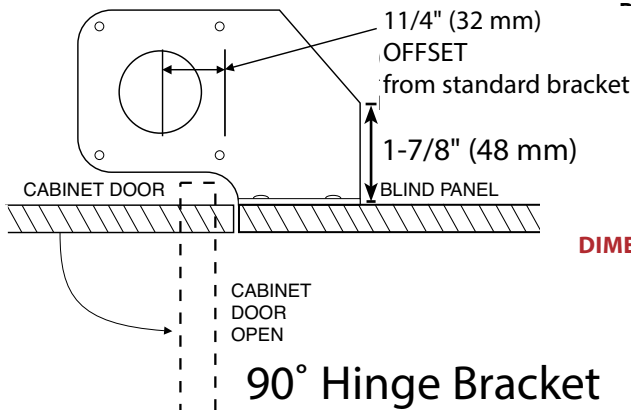


STANDARD AND 90-DEGREE BRACKETS COME WITH EACH UNIT

FRAMED CABINET

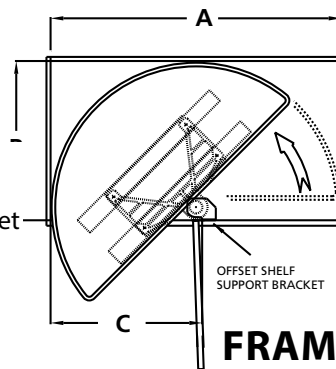
DIMENSIONS (A, B, AND C ARE MINIMUMS. 32" TRAY SHOWN IN DIAGRAM.)

NOM Tray size	A	B	C	D
32" (813 mm)	34-1/4" (870 mm)	22" (559 mm)	12" (305 mm)	11-1/8" (283 mm)
35" (889 mm)	37" (940 mm)	22" (559 mm)	15" (381 mm)	14-1/8" (359 mm)
38" (965 mm)	39-1/2" (1003 mm)	22" (559 mm)	18" (457 mm)	17-1/8" (435 mm)



90° Hinge Bracket

Smaller Trays have flat backs.





STANDARD AND 90-DEGREE BRACKETS COME WITH EACH UNIT


FRAMELESS CABINET (EURO)


DIMENSIONS (A, B, AND C ARE MINIMUMS. 38" TRAY SHOWN IN DIAGRAM.)

NOM Tray size	A	B	C
32" (813 mm)	34-1/8" (867 mm)	22" (559 mm)	13-1/4" (387 mm)
35" (889 mm)	35-3/16" (897 mm)	22" (559 mm)	16-1/4" (413 mm)
38" (965 mm)	38-9/16" (980 mm)	22" (559 mm)	19-1/4" (489 mm)

	Lazy Daisy	Value Line	R-A-S
Full Circle			
	16"		•
	18"	•	•
	20"		•
	24"	•	•
	28"	•	•
32"	•	•	

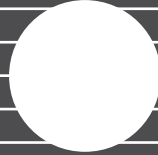
Kidney			
	18"	•	•
	24"	•	•
	28"	•	•
	32"	•	•


Pie Cut			
	18"	•	
	24"	•	•
	28"	•	•


D-Shaped			
	20"		•
	22"		•
	32"	•	

Half Moon			
	31"		•
	33"		•
	39"		•


	Lazy Daisy	Value Line	R-A-S
Mounting Hardware:			
Telescoping Post	•	•	•
Twist-n- Lock Shaft		•	
Bottom Mount	•	•	•
Shelf Support Hardware:			
Snap Pin	•		
Metal/Die Components			•
Polymer Components	•	•	
Hub:			
Molded Hub	•	•	
Chrome Hub			•

	Banded	Wood Classic	Natural
Full Circle			
	10"		•
	18"	•	•
	20"	•	•
	24"	•	•
	28"	•	•
32"	•	•	

Kidney			
	18"		•
	24"	•	•
	28"	•	•
	32"	•	•

Pie Cut			
	24"		•
	28"	•	•
	32"	•	•

D-Shaped			
	20"	•	•
	22"		•
	28"	•	•
	32"	•	•

Half Moon			
	32"		•
	35"		•
	38"		•

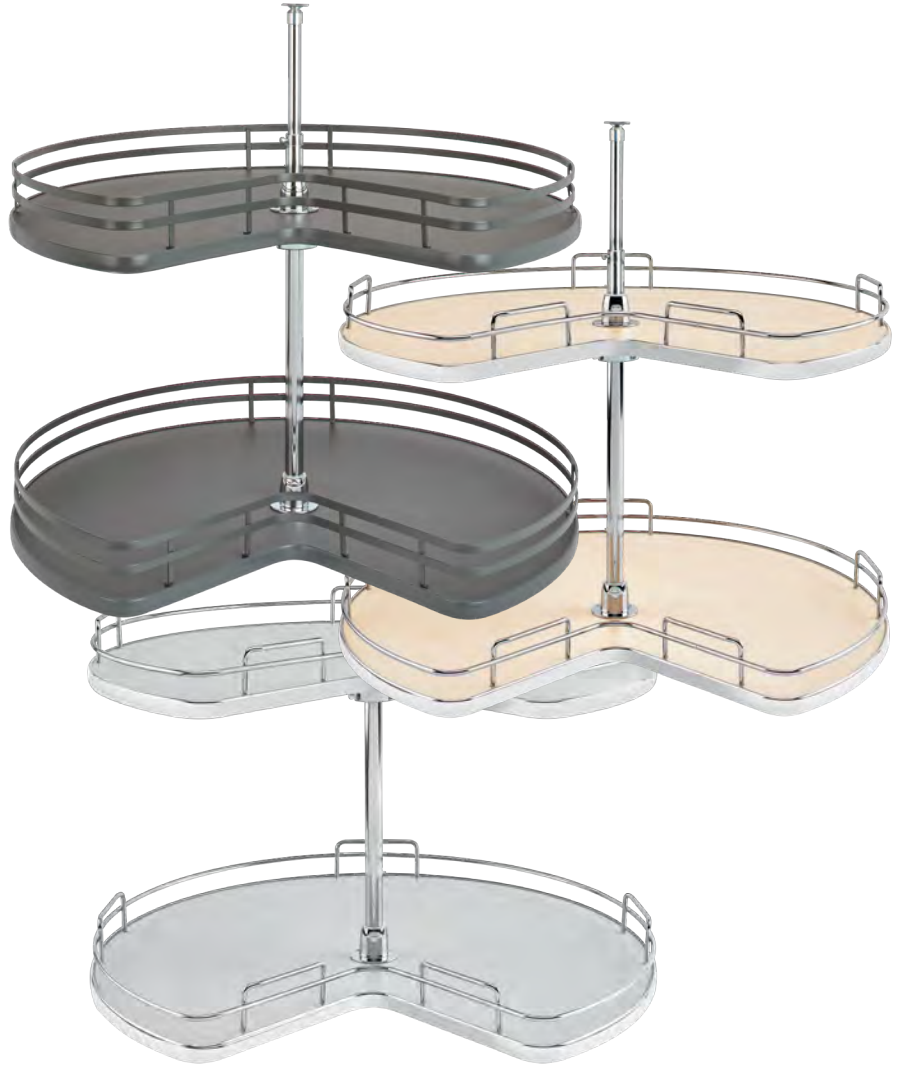
	Banded	Wood Classic	Natural
Mounting Hardware:			
Telescoping Post		•	•
Twist-n- Lock Shaft	•		
Bottom Mount	•	•	•
HD Bottom Mount		•	•
Steel Bearing	•		
Aluminum Bearing		•	•
Shelf Support Hardware:			
Metal/Die Components		•	•
Polymer Components	•		
Hub:			
Polymer Hub	•		
Chrome Hub		•	•
Tray Rim:			
Doweled Butt Joint Rim	•		•
Finger Joint Rim		•	
Tall Rim Option			•
Chrome Fence Option		•	



**SPE
CIA
LTY
—:**

**LAZY
SUSANS**

- Designed for 32" kidney corner base cabinets
- Solid bottom, maple, gray or orion gray
- Single shelf set features aluminum swivel bearing with stop
- Double shelf set features independently rotating hardware and chrome-plated telescoping shafts, which accommodates 26" to 32" inner cabinet heights.
- TSCA Title VI compliant



Solid Bottom Kidney Shaped Lazy Susans w/ 10" Aluminum Bearing for 32" Kidney Cabinets

PRODUCT	DESCRIPTION	DIMS	FINISH	SLP
53-401-32BSGR-1	Single Shelf	32" (813 mm) Diameter	Gray	\$205.65
53-401-32BSMP-1	Single Shelf	32" (813 mm) Diameter	Maple	\$205.65
53-401-32BSFOG-1	Single Shelf	32" (813 mm) Diameter	Orion Gray	\$226.50

(2) Shelf Solid Bottom Kidney Shaped Lazy Susans w/ 10" Aluminum Bearing for 32" Kidney Cabinets

53472-32GR-1	(2) Shelf Set	32" (813 mm) Diameter	Gray	\$356.55
53472-32MP-1	(2) Shelf Set	32" (813 mm) Diameter	Maple	\$356.55
53472-32FOG-1	(2) Shelf Set	32" (813 mm) Diameter	Orion Gray	\$386.70



- Designed for 33" and 36" kidney corner base cabinets
- Solid wood construction, maple
- Mounts to cabinets top and bottom
- Upper kidney shaped shelf with mid-level arrester
- Lower kidney shaped shelf
- Up to (7) hooks
- TSCA Title VI compliant

NSLS-KM-28S-7



(7) Adjustable hooks



Built-in positioner stop



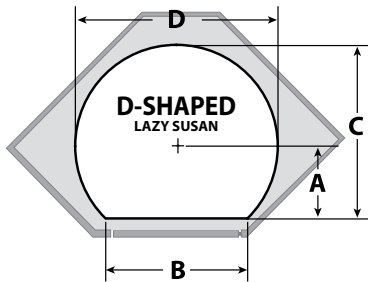
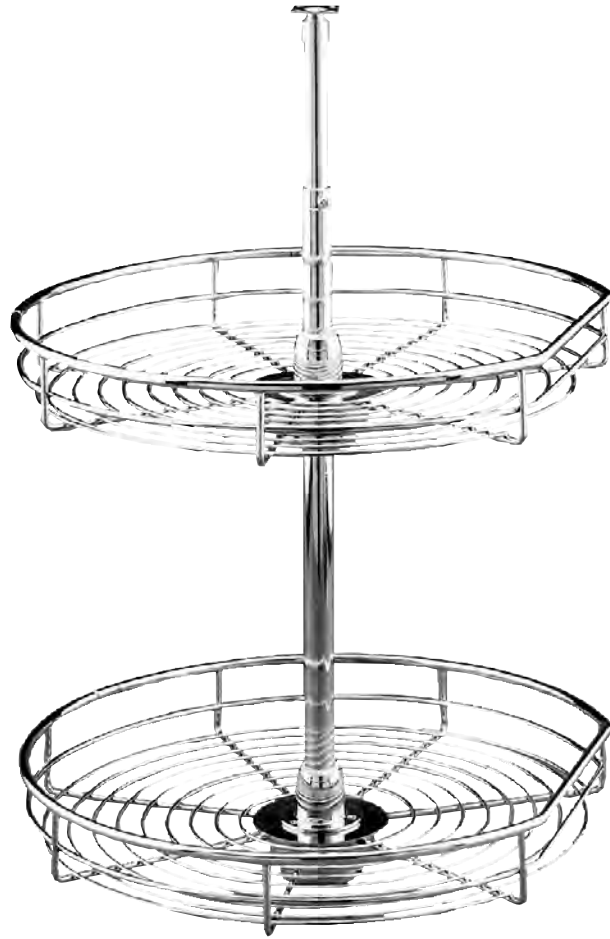
NSLS-KM-28S-7
Not-So-Lazy Susan
(28" Version shown)

NOTE: 154 lb. dynamic weight rating

Not-So-Lazy-Susan w/ Hardware and Hooks

PRODUCT	DESCRIPTION	DIMS	FINISH	SLP
NSLS-KM-28S-7	Single Shelf	28" (711 mm) Diameter	Maple	\$467.75
NSLS-KM-32S-7	Single Shelf	32" (813 mm) Diameter	Maple	\$479.50

- Two shelf set available in 20" or 32" diameters
- Three shelf set available in a 20" diameter
- Feature our durable 1" chrome plated diameter shaft system
- Independent rotating hardware
- Telescoping shaft for variations in cabinet height
- Chrome hub and hardware



Shelf	Material	Series	A	B	C	D	Post System
20" D-Shape	Chrome	5272	8-7/8"	9-1/4"	18-7/8"	20"	1" IND.
32" D-Shape	Chrome	5272	14-7/16"	13-3/4"	30-7/16"	32"	1" IND.

IND. = Independent Rotating System

(2) Shelf D-Shaped Lazy Susan w/ 26"-32" (660-813 mm) Telescoping Post

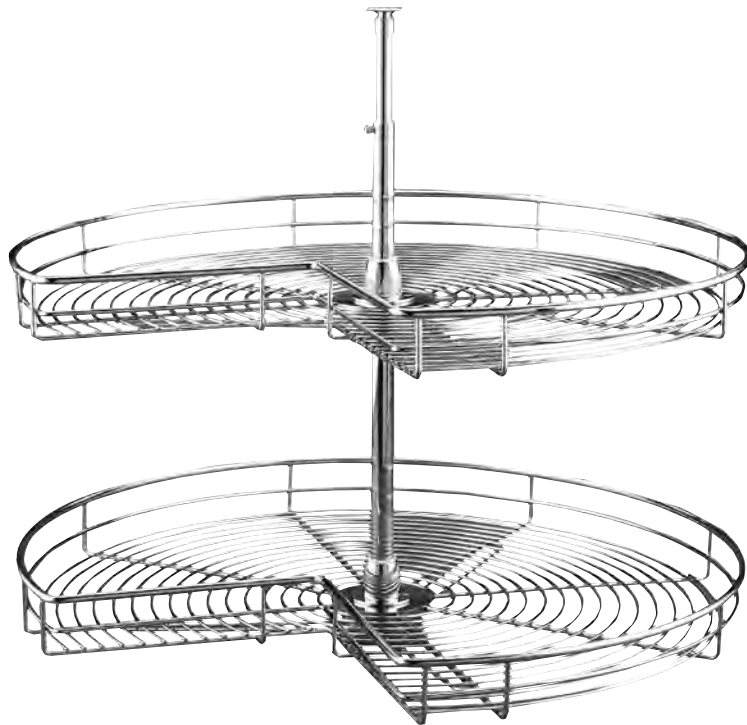
PRODUCT	DESCRIPTION	DIMS	FINISH	SLP
5272-20 CR	(2) Shelf Set	20" (407 mm) Diameter	Chrome	\$438.40
5272-32 CR	(2) Shelf Set	32" (813 mm) Diameter	Chrome	\$528.10

(3) Shelf D-Shaped Lazy Susan w/ 38"-46" (965-1169 mm) Telescoping Post

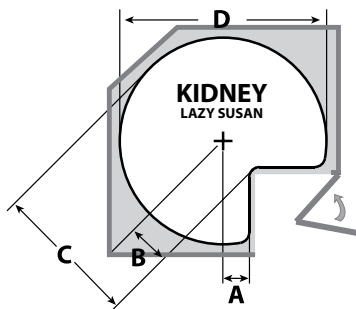
5273-20-536 CR	(3) Shelf Set	20" (407 mm) Diameter	Chrome	\$656.30
----------------	---------------	-----------------------	--------	----------

Chrome Kidney Shape Shelf

5472 Series



- Two shelf set available in 28" or 32" diameters
- Feature our durable 1" chrome plated diameter shaft system
- Independent rotating hardware
- Telescoping shaft for variations in cabinet height



Shelf	Material	Series	A	B	C	D	Post System
28" kidney	Chrome	5472	2-7/8"	4-3/16"	18-1/4"	28-1/8"	1" IND.
32" kidney	Chrome	5472	2-7/8"	4-3/16"	20-1/4"	32-1/8"	1" IND.

IND. = Independent Rotating System

(2) Shelf Kidney Lazy Susan w/ 26"-32" (660-813 mm) Telescoping Post

PRODUCT	DESCRIPTION	DIMS	FINISH	SLP
5472-28 CR	(2) Shelf Set	28" (711 mm) Diameter	Chrome	\$362.65
5472-32 CR	(2) Shelf Set	32" (813 mm) Diameter	Chrome	\$401.95

5881 Series

Chrome Wire Shelf

- Pivots & pulls out
- Comes with cabinet mounting hardware
- Sleek wire construction that glides on a ball-bearing slide
- Easy installation

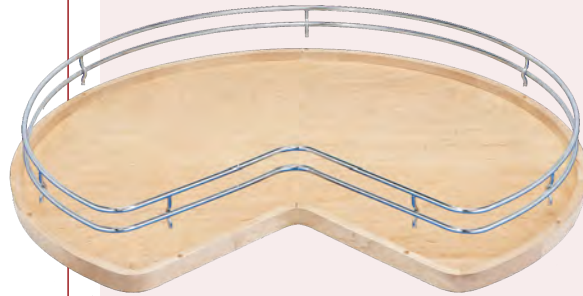


Chrome Wire Lazy Susan

PRODUCT	DESCRIPTION	DIMS	FINISH	SLP
5881-33CR-1	Single Shelf	33-29/32" (861 mm) W x 18-1/2" (470 mm) L x 4-5/8" 188 mm H	Chrome	\$131.65

5LSF Series

Chrome Fence Railing



Full Circle Fence Rail

PRODUCT	DESCRIPTION	DIMS	MCO	BC	FINISH	SLP
5LSF018-CR	Rail Fence	18" (457 mm) Diameter			Chrome	\$39.05
5LSF020-CR	Rail Fence	20" (508 mm) Diameter			Chrome	\$40.65
5LSF028-CR	Rail Fence	28" (711 mm) Diameter			Chrome	\$53.20
5LSF032-CR	Rail Fence	32" (813 mm) Diameter			Chrome	\$59.40

Full Circle Fence Rail

5LSF018-8CR	(8) Rail Fences	18" (457 mm) Diameter			Chrome	\$33.00 ea.
5LSF020-8CR	(8) Rail Fences	20" (508 mm) Diameter			Chrome	\$34.00 ea.
5LSF028-8CR	(8) Rail Fences	28" (711 mm) Diameter			Chrome	\$51.90 ea.
5LSF032-8CR	(8) Rail Fences	32" (813 mm) Diameter			Chrome	\$57.95 ea.

Kidney Shaped Fence Rail

5LSF424-CR	Rail Fence	24" (310 mm) Diameter			Chrome	\$53.25
5LSF428-CR	Rail Fence	28" (711 mm) Diameter			Chrome	\$58.45
5LSF432-CR	Rail Fence	32" (813 mm) Diameter			Chrome	\$64.05

Kidney Shaped Fence Rail

5LSF424-8CR	(8) Rail Fences	24" (310 mm) Diameter			Chrome	\$47.50 ea.
5LSF428-8CR	(8) Rail Fences	28" (711 mm) Diameter			Chrome	\$52.50 ea.
5LSF432-8CR	(8) Rail Fences	32" (813 mm) Diameter			Chrome	\$56.55 ea.



—
**HAR
DW
ARE**

Hardware

Rev-A-Shelf Hardware Kits for wood or melamine custom shelving are tested to meet and exceed BHMA Class-I specifications of 20 lbs. per square foot at 100,000 cycles. Our hardware and hardware components allow maximum flexibility, strength and aesthetic value for all custom applications.



Shelf Support for Full Circle Shelves

PRODUCT	DESCRIPTION	DIMS	MCO	BC	FINISH	SLP
6000-07P-52	Shelf Support	18" (457 mm) Diameter			Polymer	\$15.80

Center Post Adapter for Extending

6000-37-52	Post Adapter	20" (508 mm) Diameter			Metal	\$23.50
------------	--------------	-----------------------	--	--	-------	---------

3/4" Diameter Lower Post Assembly

6020-96-3100-2	31" Post (787 mm)	28" (711 mm) Diameter			Bright Zinc	\$19.30
6020-96-3600-2	36" Post (915 mm)	32" (813 mm) Diameter			Bright Zinc	\$24.35
6000-05-7200-2-52	72" Post (1829 mm)	18" (457 mm) Diameter			Bright Zinc	\$47.85

(2 Shelf) Full Circle Hardware Set for Custom Shelves

6020-04P-52	Hardware	20" (508 mm) Diameter			Polymer	\$43.50
-------------	----------	-----------------------	--	--	---------	---------

(2 Shelf) Full Circle Hardware Set for Custom Shelves

6020-04P-4	(6) Hardware Sets	3/4" Diameter Shaft (19 mm)			Polymer	\$38.55 ea.
6020-04P-426	(6) Hardware Sets	38"-46" (914 mm-1168 mm)H – 3/4" Diameter Shaft (19 mm)			Polymer	\$33.80 ea.

Full Circle Hardware Set for Rev-A-Shelf Polymer Shelves

6022-04-52	Hardware	3/4" Diameter Shaft (19 mm)			Bright Zinc	\$32.05
6022-04-52-526	Hardware	38"-46" (914 mm-1168 mm)H – 3/4" Diameter Shaft (19 mm)			Bright Zinc	\$40.90

Full Circle Hardware Set for Rev-A-Shelf Polymer Shelves

6022-04-4	(6) Hardware Set	3/4" Diameter Shaft (19 mm)			Bright Zinc	\$24.65 ea.
6022-04-426	(4) Hardware Set	38"-46" (914 mm-1168 mm)H – 3/4" Diameter Shaft (19 mm)			Bright Zinc	\$34.65 ea.

Full Circle Hardware Set/Independently Rotating

6072-04-52	(2) Shelf Full Circle Hardware Set	1" Diameter Shaft (26 mm)			Chrome	\$106.30
6073-04-536	(3) Shelf Full Circle Hardware Set	38"-46" (914 mm-1168 mm)H – 1" Diameter Shaft (26 mm)			Chrome	\$152.75

NOTES: 6000-07/P 5" (127 mm) DIAMETER SHELF SUPPORT FOR WOOD SHELVES (USE 6020/6022 SERIES HARDWARE KITS.)

6000-37 For joining two or more center shafts together. (3/4" (19 mm) shaft diameter only) (6000 Series)

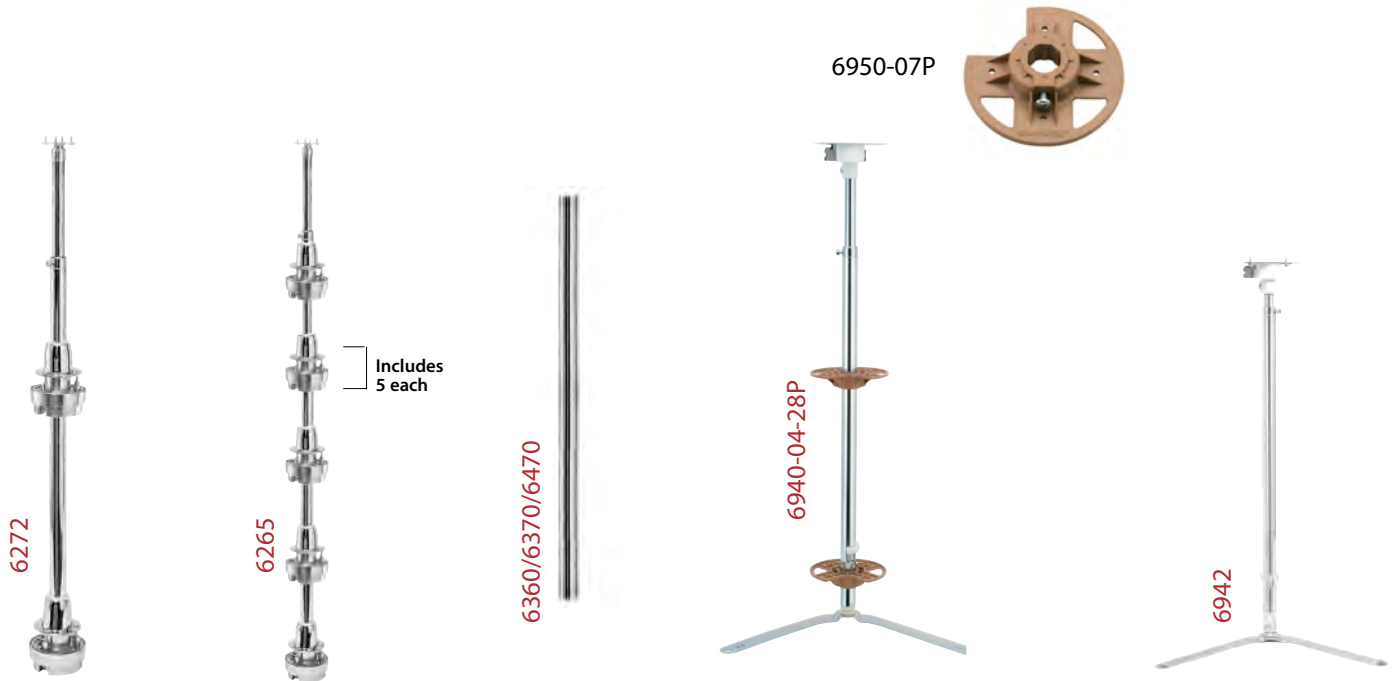
6020-96-3600 / 6000-05-7200 For use with full circle dependently rotating sets. 36" shaft for use in 36" & 42" (915-1067 mm) wall cabinet applications. 72" shaft for use with custom applications.

6020P For use with wood or laminate custom shelves. 6072 For use with independently rotating non-centering wood shelves.

CONTAINS: 6020 Top and bottom pivots 6000-90-2; shaft assembly 6020-97-2100-2; upper shaft assembly 6120-93-1200-2; collar assembly 6120-92-2; two full circle shelf supports 6000-07, and mounting screws.

6022 Top and bottom pivots 6000-90-2; 21" shaft assembly 6020-97-2100-2; 12" shaft assembly 6120-93-1200-2; collar assembly 6120-92-2; and mounting screws.

6072 2 shelf hubs 6260-08-26; 2 shelf supports 6470-07-2; 1 collar 6260-92-26; 1 upper pivot 6000-91-2; 1 positioning base 6260-77-2; 22 3/8" (572 mm) lower shaft assembly 6470-96-2208-26; 9 3/4" (235 mm) upper shaft assembly (6470-93-0904-26) and mounting screws.



(2) Shelf Independently Rotating Centering Hardware

PRODUCT	DESCRIPTION	DIMS	FINISH	SLP
6272-04-52	Hardware	26"-32" (661-813 mm) I.C.H. 1" (26 mm) Diameter Post	Chrome	\$117.45

(5) Shelf Utility Cabinet Centering Hardware

6265-04-52	Hardware	56"-62" (1423-1575 mm) I.C.H. 1" (26 mm) Diameter Shaft	Chrome	\$237.05
------------	----------	---	--------	----------

1" Diameter Lower Post Assembly

6360-05-7008-26-52	Shaft Extension	70-1/2" (1791 mm) Shaft 1" (26 mm) Diameter	Chrome	\$74.55
6370-96-7008-26-52	1" Center Shaft Extension	70-1/2" (1791 mm) Shaft 1" (26 mm) Diameter	Chrome	\$73.95
6470-96-4008-26-52	1" Center Shaft Extension	1" (26 mm) x 40 1/2" (1029 mm) Shaft	Chrome	\$48.85
6260-38-1	Shaft Coupling for 1" Diameter	20" (508 mm) Diameter	Chrome	\$25.70

Pie Cut Hardware for Wood Shelves w/ Polymer Shelf Supports (24" or larger - custom trays)

6940-04-28P-52	Hardware Sets	3/4" Diameter Shaft (19 mm)	Bright Zinc/Chrome	\$70.65
----------------	---------------	-----------------------------	--------------------	---------

Pie Cut Hardware for Wood Shelves w/ Polymer Shelf Supports (24" or larger)

6940-04-28P-4	(6) Hardware Sets	3/4" Diameter Shaft (19 mm)	Bright Zinc	\$65.95 ea.
---------------	-------------------	-----------------------------	-------------	-------------

Center Post & Pivot Hardware for RAS Polymer Shelves (Individual Pack)

6942-04-28-52	Hardware		Bright Zinc	\$67.90
---------------	----------	--	-------------	---------

Shelf Supports for Pie Cut Hardware for Wood Shelves

6950-07P-52	Shelf Support	1" Diameter Shaft (26 mm)	Polymer	\$13.80
-------------	---------------	---------------------------	---------	---------

NOTES: 6272-04-52 For use with independently rotating centering shelves.

6265-04-52 For use with independently rotating centering shelves.

6360/6370 For use with independent rotating tray kits or hardware kits. Distributor shaft for use when needing longer shaft for pantry or kidney independently rotating hardware sets. Must be used with bushing supplied by factory or with extending collar 6260-38-26.

6940-04-28P Replaces part number 6120-04 for 24", 28", (610, 711 mm) or larger wood shelves only. Not for use with 18", 20" or 22" shelves. 1" (26 mm) dia. shaft

6942-04-28-52 Replaces part number 6122-04-52 for 24" or 28" (610, 711 mm), shelves only. Not for use with 18", 20" or 22" shelves. (Contains large cam base.) 1" (26 mm) dia. shaft.

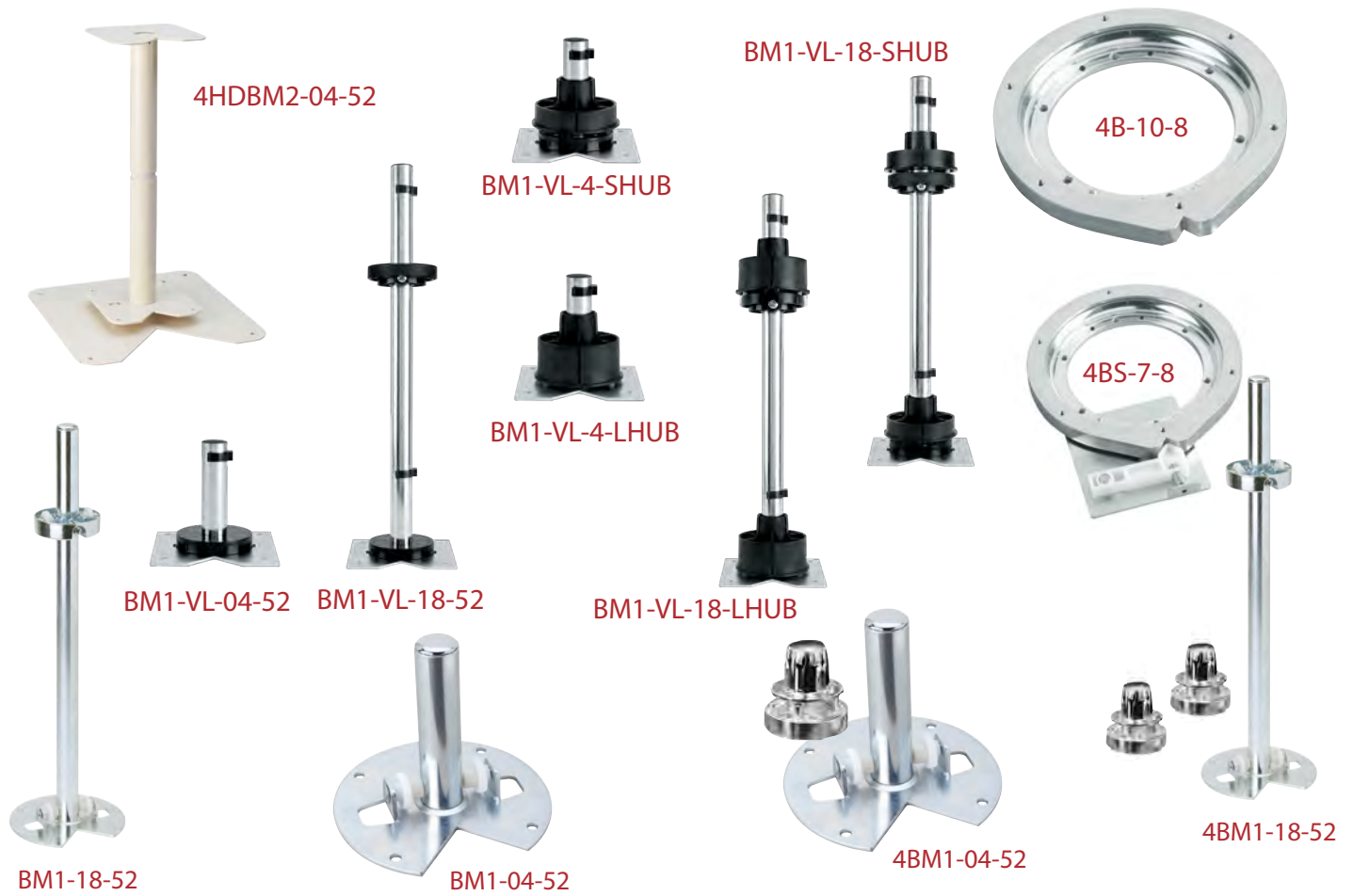
CONTAINS: 6272-04-52 2 Shelf support assemblies, mounting hardware and telescoping center shaft assembly to accommodate 26"-32" (661-813 mm) I.C.H. 1" (26 mm) dia. shaft

6265-04-52 Hardware for 5 shelf set with 56"-62" (1423-1575mm) I.C.H. shaft system. 1" (26 mm) dia. shaft

6120-04-52 PC shaft assembly w/ shelf supports for 18-22" (457-559 mm) tray sets; also see 6940-04 kits.

6120-04-4 Top pivot 6140-03-2; cam base 6140-50-2; 21" (534 mm) shaft assembly 6120-97-2100-2; 12" (305 mm) shaft assembly 6120-93-1200-2; collar assembly 6120-92-2; shelf supports with adjustment screws 6140-07, and mounting screws

Hardware



Single Tray Hardware

PRODUCT	DESCRIPTION	DIMS	FINISH	SLP
BM1-VL-04-52	Value Line Single Tray Bottom Mount Post	4" (102 mm) Post	Zinc Coated	\$21.85
BM1-VL-4-SHUB-12	(12) Bottom Mount Hardware Sets w/ Wall Hub	4" (102 mm) Post	Zinc Coated	\$20.25 ea.
BM1-VL-4-LHUB-12	(12) Bottom Mount Hardware Sets w/ Base Hub	4" (102 mm) Post	Zinc Coated	\$20.85 ea.
BM1-04-52	Single Tray Bottom Mount Shaft	4" (102 mm) Post	Zinc Coated	\$29.70
4BM1-04-52	Wood Single Tray Bottom Mount Shaft	4" (102 mm) Post	Zinc Coated	\$34.20

Aluminum Lazy Susan Swivel Bearing w/ Stop

4BS-7-8	(8) 7" Bearings		Aluminum	\$32.85 ea.
4BS-10-8	(8) 10" Bearings		Aluminum	\$39.60 ea.

Aluminum Lazy Susan Bearing

4B-7-8	(8) 7" Bearings		Aluminum	\$28.55 ea.
4B-10-8	(8) 10" Bearings		Aluminum	\$32.35 ea.

(2) Shelf Lazy Susan Post Hardware

BM1-VL-18-52	Value Line Two Tray Bottom Mount Shaft	18" (457 mm) Post	Zinc Coated	\$31.85
BM1-VL-18-SHUB-6	(6) Bottom Mount Hardware Sets w/ Wall Hub	18" (457 mm) Post	Zinc Coated	\$28.65 ea.
BM1-VL-18-LHUB-6	(6) Bottom Mount Hardware Sets w/ Base Hub	18" (457 mm) Post	Zinc Coated	\$29.70 ea.
BM1-18-52	Two Tray Bottom Mount Shaft	18" (457 mm) Post	Zinc Coated	\$42.75
4BM1-18-52	Wood Two Tray Bottom Mount Shaft	18" (457 mm) Post	Zinc Coated	\$76.85
4HDBM2-04-52	Heavy Duty Two Tray Bottom Mount Shaft	18" (457 mm) Post	Almond Powder Coated	\$61.15



LD-4BW-004



LD-4BW-004BM1



LD-4BW-004BM2



4SB



LD-24BM2



LD-24BM1



LD-24



Lazy Daisy Banded Wood Hardware

PRODUCT	DESCRIPTION	DIMS	FINISH	SLP
LD-4BW-004-10	(10) Hardware for Banded Wood Full Circle w/26"-31" (660 - 787 mm) Telescoping Posts		Zinc/Almond	\$32.40 ea.
LD-4BW-00436-4	(4) Hardware for Banded Wood Full Circle 3 Tray Set w/38"-46" (965 - 1168 mm) Telescoping Posts		Zinc/Almond	\$54.20 ea.
LD-4BW-004-4	(4) Hardware for Banded Wood Full Circle w/26"-31" (660 - 787 mm) Telescoping Posts		Zinc/Almond	\$35.15 ea.
LD-4BW-004BM1-8	(8) Hardware for Banded Wood Full Circle Single Bottom Mount		Zinc/Almond	\$20.55 ea.
LD-4BW-004BM2-4	(4) Hardware for Banded Wood Full Circle Double Bottom Mount		Zinc/Almond	\$26.80 ea.
LD-4BW-20436-4	(4) Hardware for Banded Wood D Shape 3 Tray w/38"-46" (965 - 1168 mm) Telescoping Posts		Zinc/Almond	\$53.105 ea.
LD-4BW-204-4	(4) Hardware for Banded Wood D Shape w/26"-31" (660 - 787 mm) Telescoping Posts		Zinc/Almond	\$31.65 ea.
LD-4BW-204BM1-8	(8) Hardware for Banded Wood D Shape Single Bottom Mounts		Zinc/Almond	\$23.15 ea.
LD-4BW-204BM2-4	(4) Hardware for Banded Wood D Shape Double Bottom Mounts		Zinc/Almond	\$29.25 ea.
LD-4BW-404-4	(4) Hardware for Banded Wood Kidney w/26"-31" (660 - 787 mm) Telescoping Posts		Zinc/Almond	\$28.75 ea.

Lazy Daisy Banded Wood Hardware

4SB-7-1	7" Lazy Susan Steel Swivel Bearing		Steel	\$12.35
4SB-7-10	(10) 7" Lazy Susan Steel Swivel Bearings		Steel	\$6.95 ea.
4SB-10-1	10" Lazy Susan Steel Swivel Bearing		Steel	\$17.00
4SB-10-10	(10) 10" Lazy Susan Steel Swivel Bearings		Steel	\$10.65 ea.
4SBS-7-1	7" Lazy Susan Steel Swivel Bearing With Stop		Steel	\$12.90
4SBS-7-10	(10) 7" Lazy Susan Steel Swivel Bearings w/ Stop		Steel	\$7.55 ea.
4SBS-10-1	10" Lazy Susan Steel Swivel Bearing w/ Stop		Steel	\$17.75
4SBS-10-10	(10) 10" Lazy Susan Steel Swivel Bearings w/ Stop		Steel	\$11.20 ea.

Lazy Daisy Polymer Hardware

LD-20-0431-5	(5) Hardware for Polymer Full Circle, Kidney, D-Shape w/30-35" (762 - 889 mm) Telescoping Shaft		Zinc/White	\$32.25 ea.
LD-24-0436-5	(5) Hardware for Polymer Kidney 3 Tray w/34-41" (863 - 1041 mm) Telescoping Post		Zinc/White	\$36.30 ea.
LD-24-04-5	(5) Hardware for Polymer Kidney w/26-31" (660 - 787 mm) Telescoping Post		Zinc/White	\$20.20 ea.
LD-24BM1-04-10	(10) Hardware for Polymer Kidney Single Bottom Mounts		Zinc/White	\$14.10 ea.
LD-24BM2-04-5	(5) Hardware for Polymer Kidney Double Bottom Mount		Zinc/White	\$18.25 ea.

HARDWARE COMPONENTS



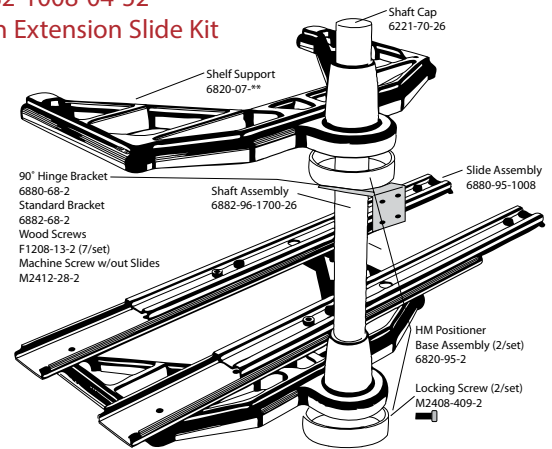
6882-1008-04-52
Half Moon Extension Slide Kit



6841 Rev-A-Tray Half-Moon Hardware Kit



6842-04 Half-Moon 2 Shelf Hardware Kit



Half Moon Hardware Kit (Individual Pack)

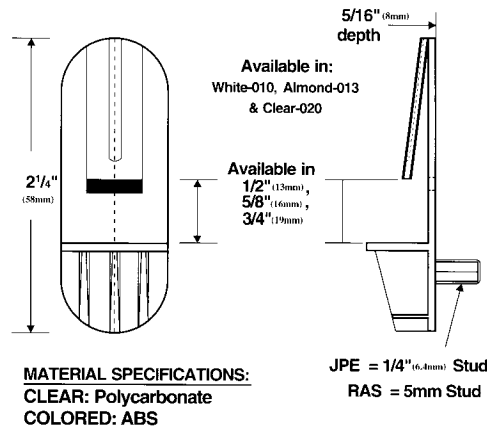
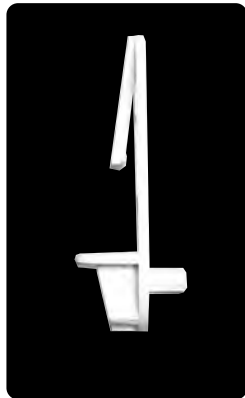
PRODUCT	DESCRIPTION	DIMS	FINISH	SLP
6841-04-52	Single Rev-A-Tray Tray Hardware Kit		Metal	\$66.25
6842-04-570	2 Shelf Hardware Kit without Slides		Metal	\$152.45
6882-1008-04-52	Extension Slide Kit	10-1/2" Extension (267 mm)	Metal	\$47.70
6882-04-52	2 Shelf Hardware Kit with Slides		Metal	\$227.65

CONTAINS:

6842-04-570 Two (2) shelf supports 6820-07-**; 2 positioning bases (6820-95-2); 1 standard bracket (6882-68-2); 1 euro bracket (6880-68-2); 15/8" (404 mm) 680 shaft (6882-96-1514-26)—Also includes template and installation instructions.
 6882-1008-04-52 Slide kit only. 1 pair with screws. Individually packaged.

JPE SERIES POLYMER COMPONENT PARTS BULK

Rev-A-Shelf custom molds many component parts for the cabinet industry, furniture industry, and many other industries. We utilize high quality engineering grade polymer materials such as ABS for our shelf clips. Should you require any custom polymer component parts, please contact customer service.



1/4" Boss Polymer Locking Shelf Clips (Bulk Pack)

PRODUCT	DESCRIPTION	DIMS	FINISH	SLP
JPE 301-12-020-1	Shelf Locking Clip	1/2" (13 mm)	Clear	\$.20 ea.
JPE 301-34-0**-1	Shelf Locking Clip	3/4" (19 mm)	White or Clear	\$.20 ea.
JPE 301-58-0**-1	Shelf Locking Clip	5/8" (16 mm)	White or Clear	\$.20 ea.
RAS SERIES—5MM Boss Polymer Locking Shelf Clips (Bulk Pack)				
RAS 305-12-0**-1	Shelf Locking Clip	1/2" (13 mm)	White or Clear	\$.20 ea.
RAS 305-34-0**-1	Shelf Locking Clip	3/4" (19 mm)	White or Clear	\$.20 ea.
RAS 305-58-0**-1	Shelf Locking Clip	5/8" (16 mm)	White or Clear	\$.20 ea.

NOTES:

JPE 301/RAS 305 **Denotes: White - 010 or Clear - 020 clear poly carbonate

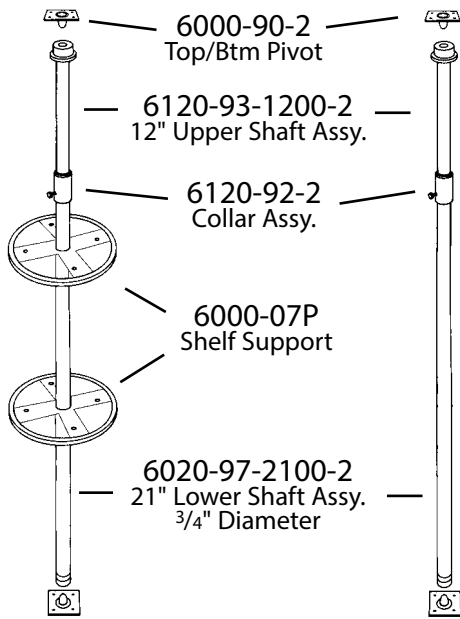
DEPENDENTLY ROTATING

6020-04P

For Custom Shelves

6022-04

For Polymer Shelves



Dependent Rotating Hardware
Extension: 24"-31" (610-788 mm)

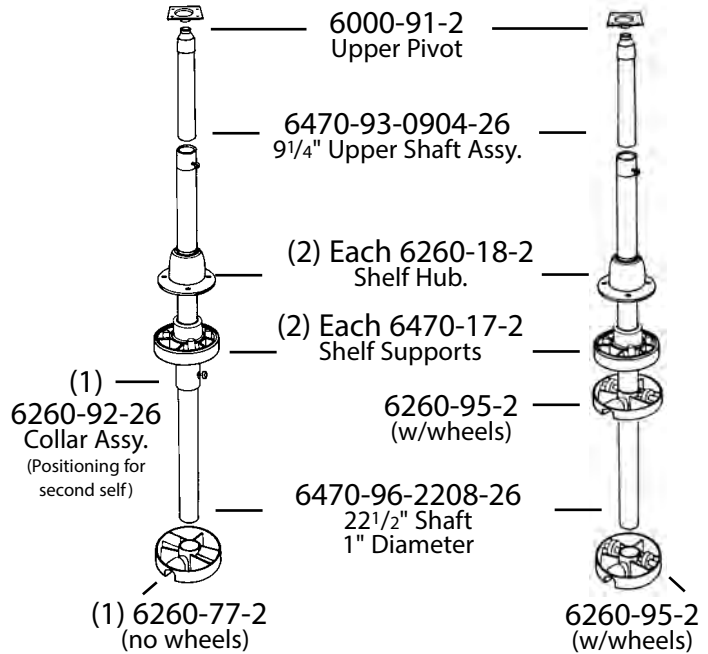
INDEPENDENTLY ROTATING

6072-04

Full Circle Shelving

6272-04

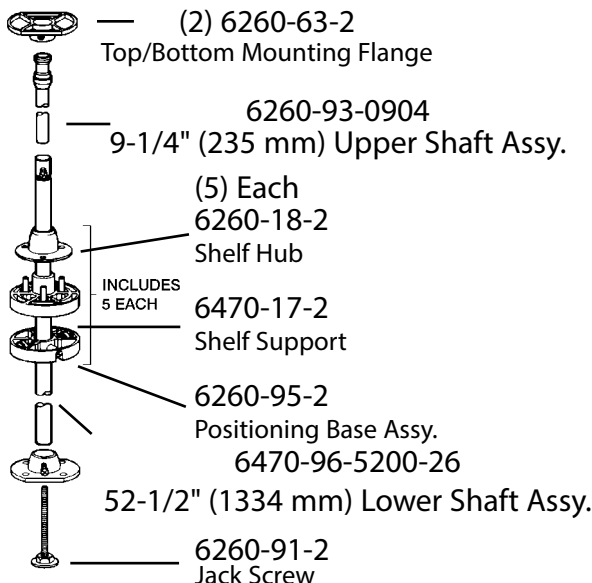
Centering Hardware



Independent Rotating Hardware
Extension: 26"-32" (661 mm-813 mm)

UTILITY CABINET CENTERING

6265-04



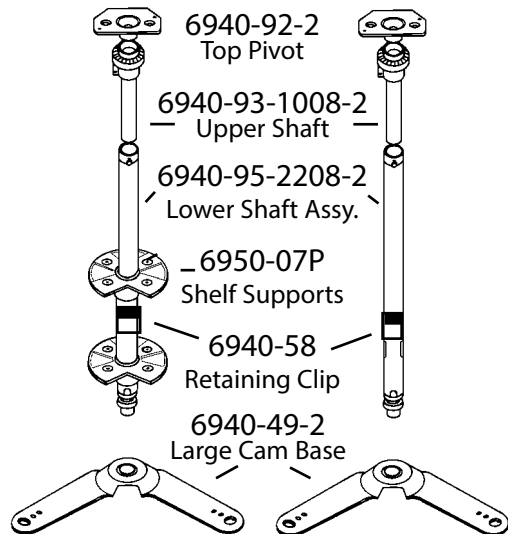
Independent Rotating Hardware
1" (26 mm) diameter shaft system
Std. Extension: 56"-62" (1423-1575 mm)

PIE-CUT

6940-04

For Custom Shelves
For Polymer Shelves

6942-04



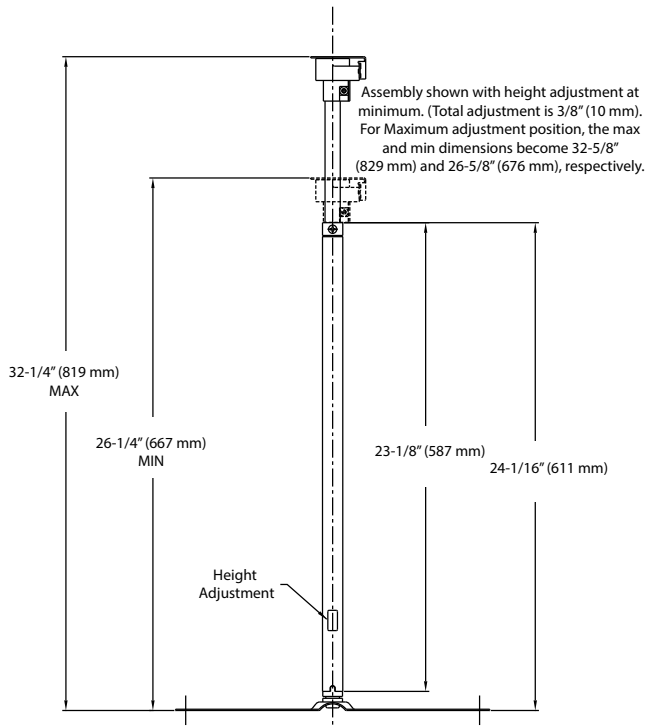
Lower Shaft Adjustment Assy.
Part #6940-91-52
Inserts into bottom end of 6940-95-2208-2 Lower Shaft Assy.

Note: For 24" (610 mm) or larger diameter shelves
Extension: 26"-32" (661-813 mm)
1" (26 mm) diameter shaft system

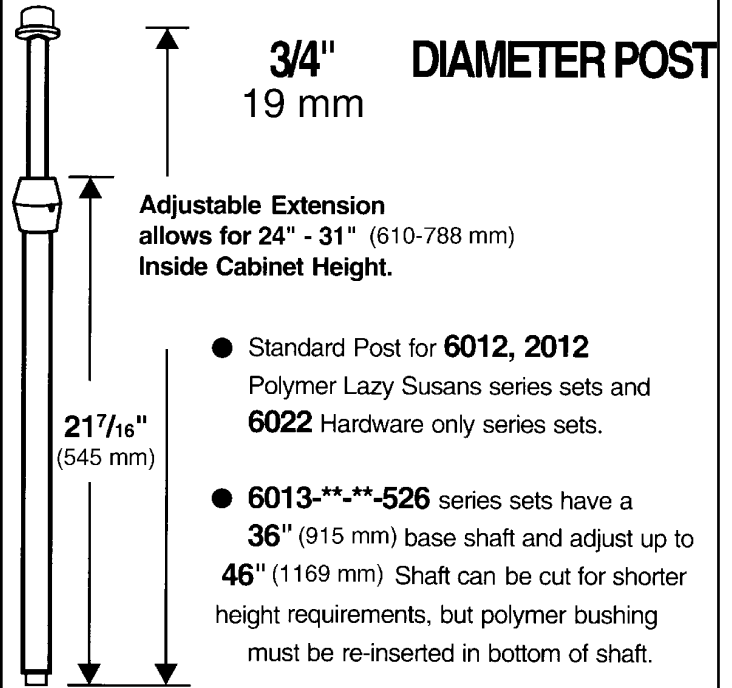
SPECIFICATIONS

HARDWARE PART IDENTIFICATION

6940 SERIES PIE CUT

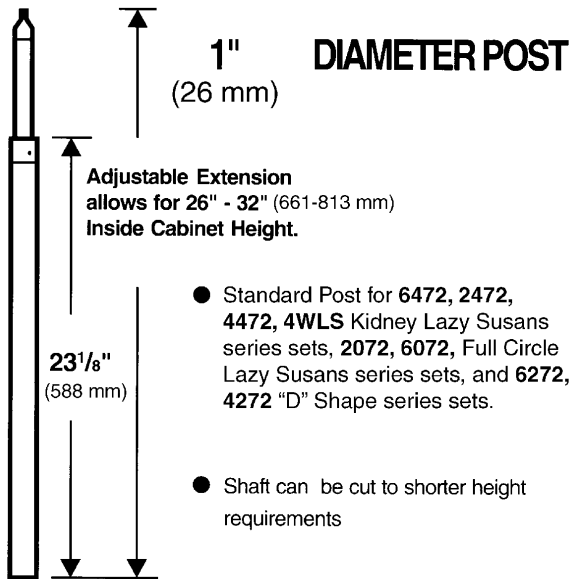


FULL CIRCLE - Dependent Rotating



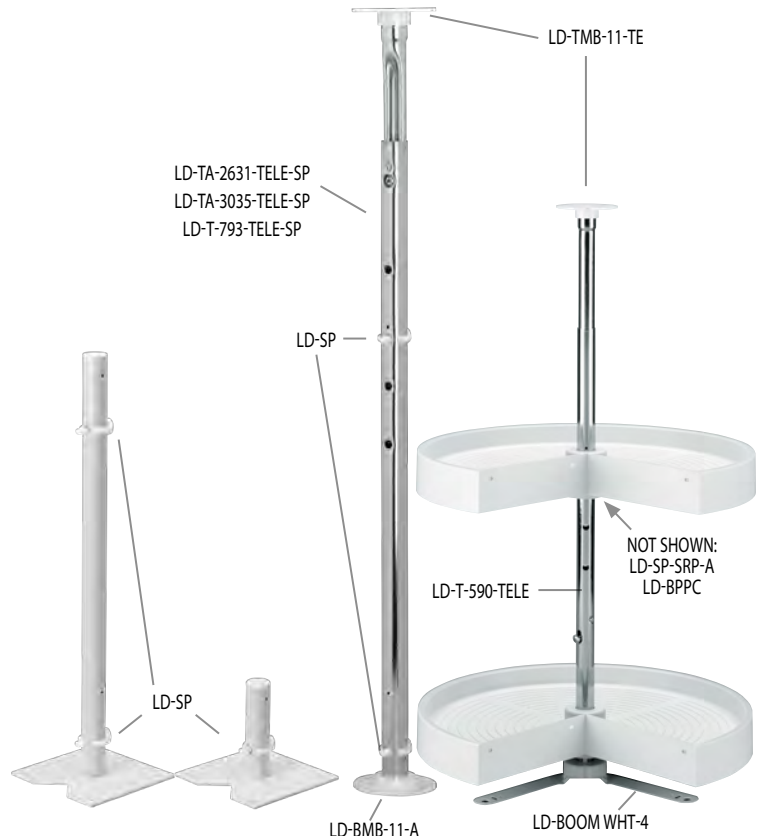
NOTE: Order Part **6000-05-7200-2** for **72"** (1829 mm) "Cut to Size" Post.

FULL CIRCLE/KIDNEY Independently Rotating



NOTE: Order Part # **6370-96-7008-26** for **70 1/2"** (1791 mm) "Cut to Size" Post w/Bushings.

Hardware for Lazy Daisy Polymer

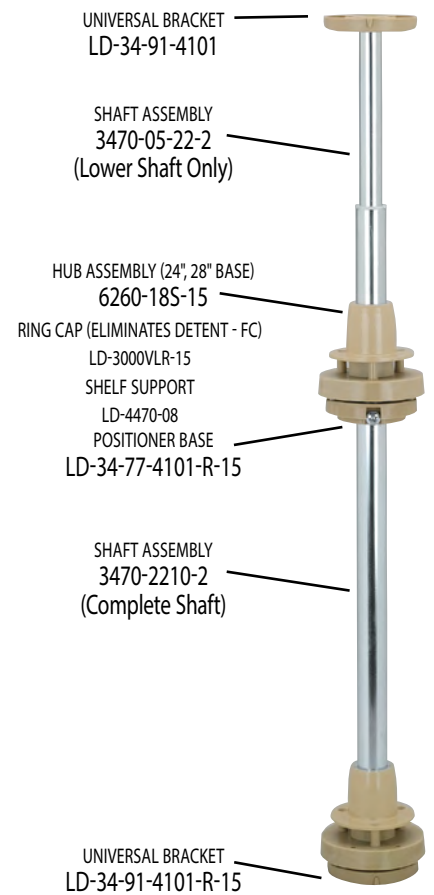
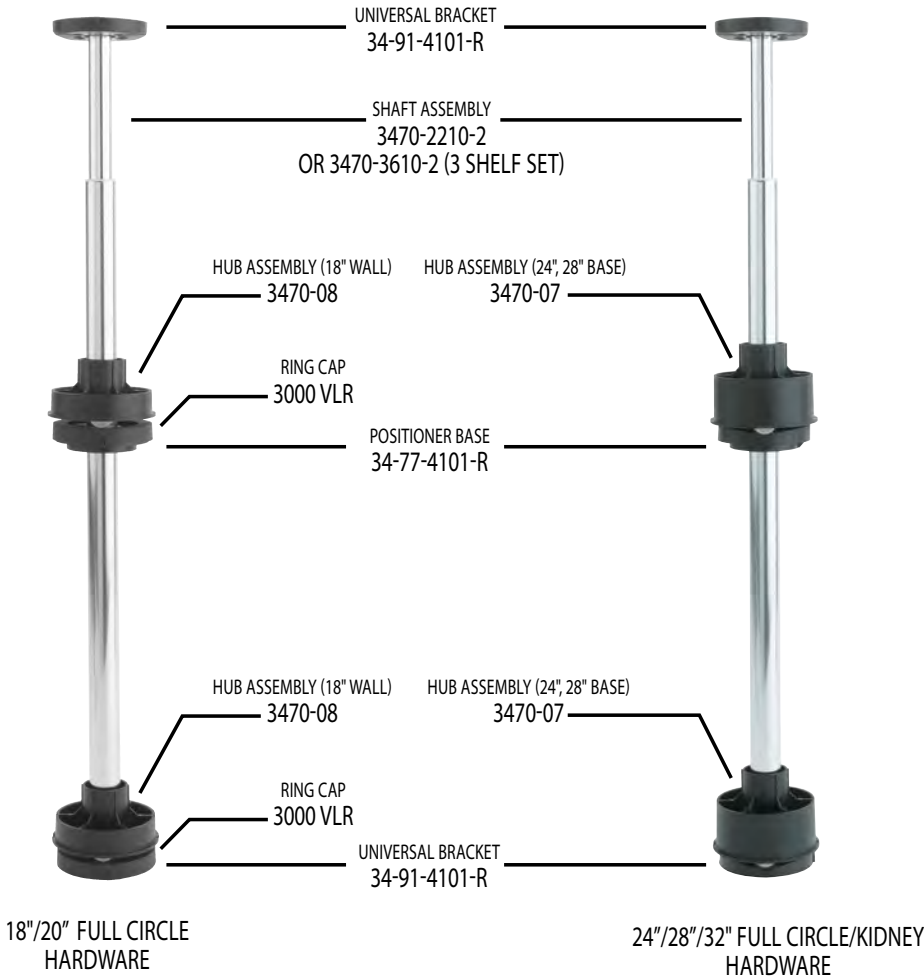


SPECIFICATIONS

HARDWARE KIT PARTS LIST

Hardware for Value Line Trays

Hardware for LD Banded Wood



Hardware for RAS Polymer Trays

Hardware for HWLS/LD-NATURAL

