



# DOOR HANDLES, KNOBS

DOOR HANDLES  
LEVER HANDLES  
SLIDING DOOR HANDLES  
GLASS DOOR KNOBS





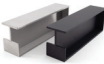








DOOR HANDLES (Back to Back)

Picture	Item No.		Center to Center	Page
	ZL-1501	 	12-19/32"~75-19/32"	4~5
	ZL-1502	 	7-9/16"~37-51/64"	6~7
	ZL-1506	 	7-9/16"~37-13/16"	8~9
	DSI-2000-20		7-7/8"~19-11/16"	11
	DSI-2000-30		9-7/8"~23-5/8"	11
	DSI-3310-15		5-29/32"~11-13/16"	12
	DSI-3310-20		7-7/8" ~ 11-13/16"	12
	DSI-3310-30		9-27/32"~23-5/8"	12
	DSI-3330-30		11-13/16"	12
	DSI-3330-50		19-11/16"	12
	DSI-4400-15		5-29/32"~11-13/16"	13
	DSI-4400-20		7-7/8"~11-13/16"	13
	DSI-4400-30		9-27/32"~23-5/8"	13
	DSI-1630		9-7/8"~23-5/8"	13


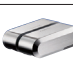

DOOR HANDLES (Back Screw Mount / Front Screw Mount)

Picture	Item No.		Center to Center	Page
	TBH-400		4-21/64"	14
	TBH-600		4-21/64"	14
	SBH-400		12-13/64"	14
	SBH-600		20-5/64"	14
	SBH-800		27-61/64"	14
	MDH		7-9/16"~47-1/4"	15
	MP (FRONT SCREW MOUNT)	 	18-17/64"~37-61/64"	16
	RH-760 (BACK SCREW MOUNT)	 	29-59/64"	16
	SSH (BACK SCREW MOUNT)		12-7/16"~28-3/16"	17
	SOR (BACK SCREW MOUNT)		13-3/16"~27-61/64"	17
	SRH (BACK SCREW MOUNT)		5-1/16"~14-3/16"	17.1
	SLH (BACK SCREW MOUNT)		13-25/32"~29-17/32"	17.2
	ALH (BACK SCREW MOUNT)		Length: 1-31/32"~39-3/8"	17.3











SLIDING DOOR HANDLES/PULLS

Picture	Item No.		Page
	DSI-4251	STAINLESS 304 STEEL	18
	DSI-4253	STAINLESS 304 STEEL	19
	DSI-3250	BRASS STAINLESS 304 STEEL	19
	DSI-4275	STAINLESS 304 STEEL	19.1
	DSI-4258	STAINLESS 304 STEEL	19.1
	DSI-4501	STAINLESS 304 STEEL	19.2
	DSI-4502	STAINLESS 304 STEEL	19.2
	DSI-4503	STAINLESS 304 STEEL	19.3
	DSI-4504	STAINLESS 304 STEEL	19.3
	DSI-3010	STAINLESS 304 STEEL	20
	DSI-3020	STAINLESS 304 STEEL	21
	DSI-4020	STAINLESS 304 STEEL	21
	DSI-4040	STAINLESS 304 STEEL	21

GLASS DOOR KNOBS AND PULLS (Back to Back)

Picture	Item No.		Page
	ZL-1503	RoHS STAINLESS 316 STEEL	22
	ZL-1504	RoHS STAINLESS 316 STEEL	23
	ZL-1505	RoHS STAINLESS 316 STEEL	23

LEVER HANDLES AND ACCESSORIES

Picture	Item No.		Page
	ZL-1101	STAINLESS 316 STEEL	24
	ZL-1102	STAINLESS 316 STEEL	24
	ZL-1103	STAINLESS 316 STEEL	25
	ZL-1601 (GLASS DOOR LATCH)	STAINLESS 316 STEEL	25
	ZL-1202 (ESCUTCHEON)	STAINLESS 316 STEEL	26
	ZL-1301-INR (INDICATOR)	STAINLESS 316 STEEL	26
	ZL-1302 (INDICATOR)	STAINLESS 316 STEEL	26
	ZL-1401-SMR (THUMBTURN)	STAINLESS 316 STEEL	27
	ZL-1402 (THUMBTURN)	STAINLESS 316 STEEL	27
	ZL-1403 (THUMBTURN KNOB)	STAINLESS 316 STEEL	27



ZL-1506

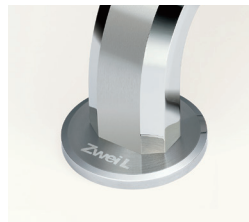
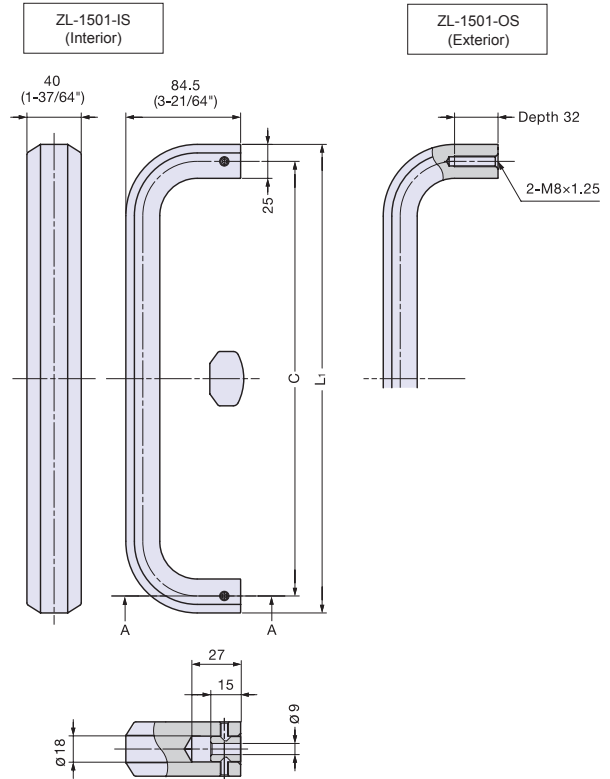


DSI-4251

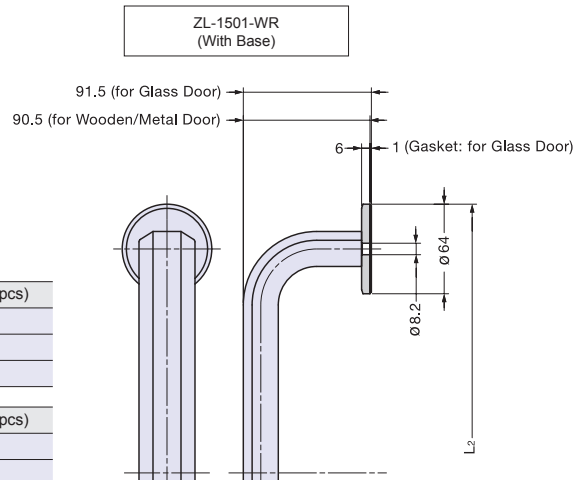
DSI-4020



- Can be installed on Glass Door, Wooden or Metal Frame Door.
- Tolerance of screw pitch is ± 1 mm.
- Only ZL-1501-WR comes with base (ZL1501-R).
- Order base ZL1501-R separately if baseplate needed for Exterior or Interior type.



ZL-1501-WR



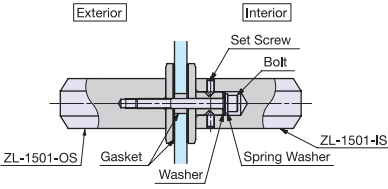
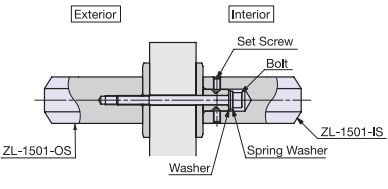
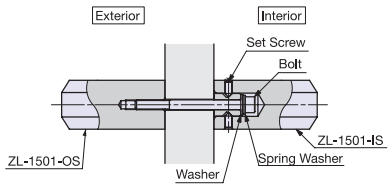
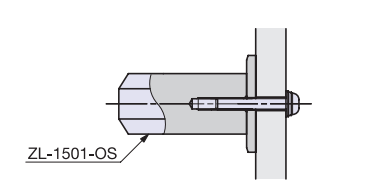
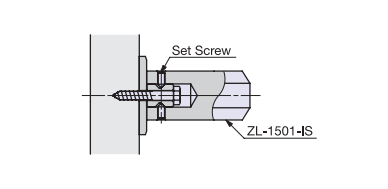
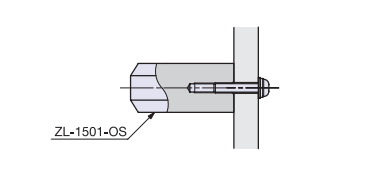
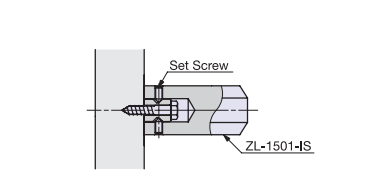
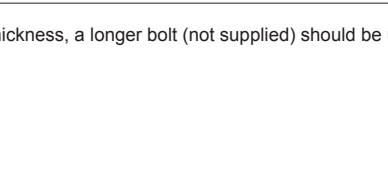
Item No.	Weight (g)	Box (pcs)	Item No.	Weight (g)	Box (pcs)
ZL-1501-IS-320	3103	1	ZL-1501-OS-320	3103	1
ZL-1501-IS-640	5500	1	ZL-1501-OS-640	5500	1
ZL-1501-IS-960	8000	1	ZL-1501-OS-960	8000	1

Item No.	Weight (g)	Box (pcs)	Item No.	Weight (g)	Box (pcs)
ZL-1501-WN-320	6471	1	ZL-1501-WR-320	6783	1
ZL-1501-WN-640	11265	1	ZL-1501-WR-640	11577	1
ZL-1501-WN-960	16265	1	ZL-1501-WR-960	16577	1

Item No.				Material	Finish/Color	Dimensions		
Exterior	Interior	Back-to-Back	Back-to-Back with Base			C	L <sub>1</sub>	L <sub>2</sub>
ZL-1501-OS-320	ZL-1501-IS-320	ZL-1501-WN-320	ZL-1501-WR-320	316 Stainless Steel	Zwei L	320 (12-19/32")	345 (13-37/64")	384
ZL-1501-OS-640	ZL-1501-IS-640	ZL-1501-WN-640	ZL-1501-WR-640			640 (25-13/64")	665 ( 26-3/16" )	704
ZL-1501-OS-960	ZL-1501-IS-960	ZL-1501-WN-960	ZL-1501-WR-960			960 (37-51/64")	985 (38-25/32")	1024
*ZL-1501-OS-1280	*ZL-1501-IS-1280	*ZL-1501-WN-1280	*ZL-1501-WR-1280			1280 (50-25/64")	1305 ( 51-3/8" )	1344
*ZL-1501-OS-1600	*ZL-1501-IS-1600	*ZL-1501-WN-1600	*ZL-1501-WR-1600			1600 (62-63/64")	1625 (63-31/32")	1664
*ZL-1501-OS-1920	*ZL-1501-IS-1920	*ZL-1501-WN-1920	*ZL-1501-WR-1920			1920 (75-19/32")	1945 (76-37/64")	1984

\*Length over 960 are special order item.

Working Diagram		Door Thickness (mm)	Door Hole (mm)	Item No.	
Back-to-Back on Glass Door	With Base Plate		6~16 (15/64"~5/8")	ø 16 (5/8")	ZL-1501-WR
	Without Base Plate		25~45 (63/64"~1-49/64")	ø 9 (23/64")	ZL-1501-WR
Back-to-Back on Wooden/Metal Frame Door	With Base Plate		37~57 (1-29/64"~2-1/4")	ø 9 (23/64")	ZL-1501-WN
	Without Base Plate				
Single use on Wooden/Metal Frame Door	With Base Plate		Screws not included  Base Plate (ZL-1501-R) sold separately	ø 9 (23/64")	ZL-1501-OS ZL-1501-R
				-	ZL-1501-IS ZL-1501-R
	Without Base Plate			ø 9 (23/64")	ZL-1501-OS
				-	ZL-1501-IS

\*If door thickness exceeds recommended thickness, a longer bolt (not supplied) should be used.

# Zwei L Door Handle

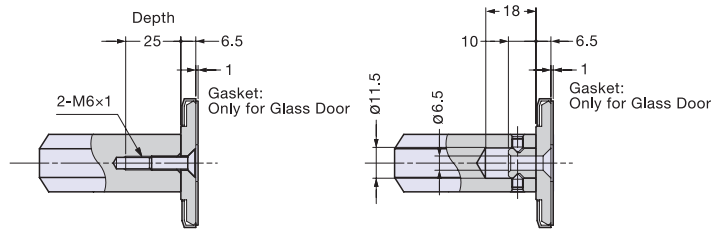
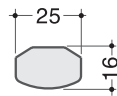
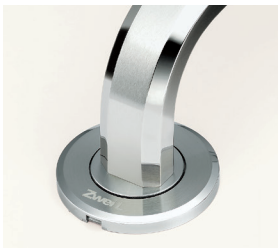
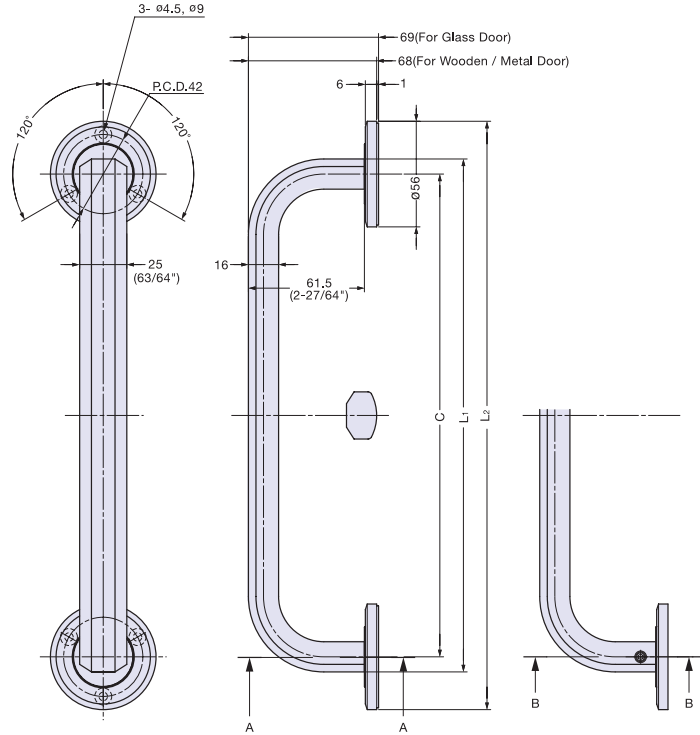


# ZL-1502

HANDLES

Zwei L DOOR HANDLES

- Can be installed on Glass Door, Wooden or Metal Frame Door.
- Tolerance of screw pitch is  $\pm 1$  mm.
- Base Plate included.

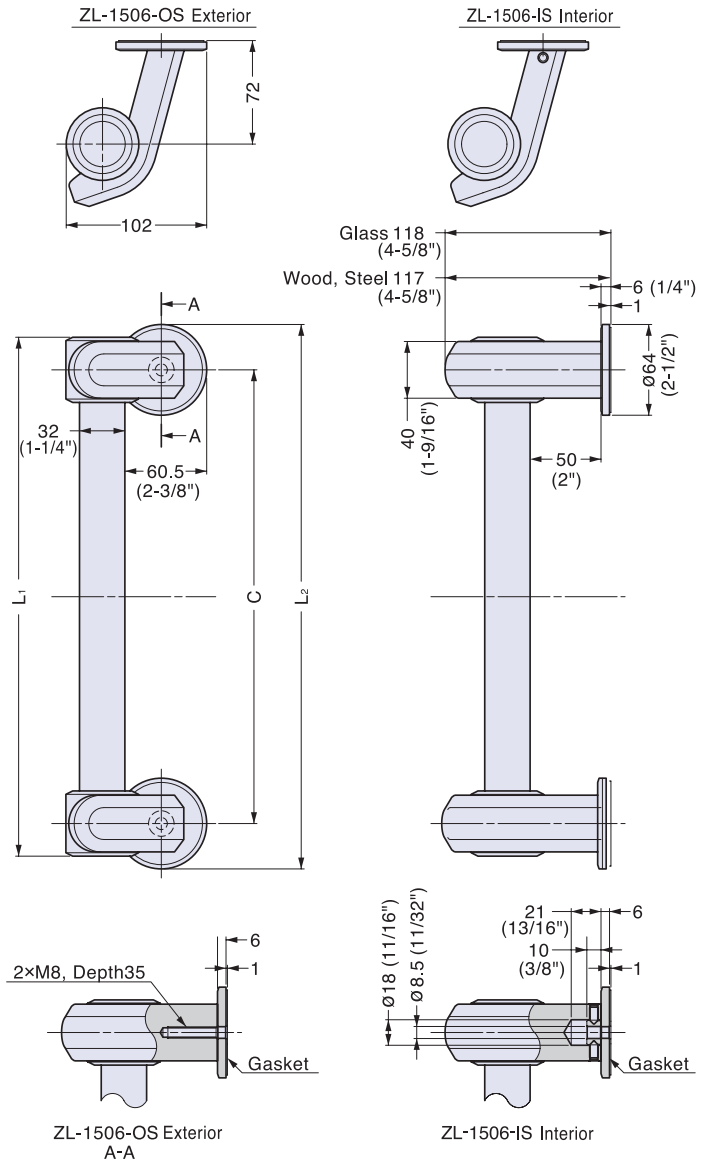


Item No.	Weight (g)	Box (pcs)	Item No.	Weight (g)	Box (pcs)	Item No.	Weight (g)	Box (pcs)
ZL-1502-IS-192	1081	1	ZL-1502-OS-192	1081	1	ZL-1502-WR-192	2297	1
ZL-1502-IS-320	1499	1	ZL-1502-OS-320	1499	1	ZL-1502-WR-320	3133	1
ZL-1502-IS-640	2530	1	ZL-1502-OS-640	2530	1	ZL-1502-WR-640	5195	1
ZL-1502-IS-960	3600	1	ZL-1502-OS-960	3600	1	ZL-1502-WR-960	7335	1

Item No.			Material	Finish/Color	Dimensions		
Exterior	Interior	Back-to-Back			C	L <sub>1</sub>	L <sub>2</sub>
ZL-1502-OS-192	ZL-1502-IS-192	ZL-1502-WR-192	316 Stainless Steel	Zwei L	192 ( 7-9/16" )	208 ( 8-3/16" )	248
ZL-1502-OS-320	ZL-1502-IS-320	ZL-1502-WR-320			320 (12-19/32")	336 (13-15/64")	376
ZL-1502-OS-640	ZL-1502-IS-640	ZL-1502-WR-640			640 (25-13/64")	656 (25-53/64")	696
ZL-1502-OS-960	ZL-1502-IS-960	ZL-1502-WR-960			960 (37-51/64")	976 (38-27/64")	1016

Working Diagram		Door Thickness (mm)	Door Hole (mm)	Item No.	
Back-to-Back on Glass Door	With Base Plate		6~12 (15/64"~15/32")	ø 12 (15/32")	ZL-1502-WR
	Without Base Plate		40~52 (1-37/64"~2-15/32")	ø 7 (9/32")	ZL-1502-WR
Back-to-Back on Wooden/Metal Frame Door	With Base Plate		38~50 (1-1/2"~1-31/32")	ø 7 (9/32")	ZL-1502-WR
	Without Base Plate				
Single use on Wooden/Metal Frame Door	With Base Plate			-	ZL-1502-OS
				ø 7 (9/32")	ZL-1502-OS
	Without Base Plate		Screws not included	-	ZL-1502-IS
				ø 7 (9/32")	ZL-1502-OS
	Without Base Plate			-	ZL-1502-IS
				ø 7 (9/32")	ZL-1502-OS

\*If door thickness exceeds recommended thickness, a longer bolt (not supplied) should be used.



Item No.			Material	Finish/Color	L <sub>1</sub>	L <sub>2</sub>	C
Exterior	Interior	Back-to-Back					
ZL-1506-OS-192	ZL-1506-IS-192	ZL-1506-WR-192	316 Stainless Steel	Zwei L	237 ( 9-5/16" )	256 (10-1/16" )	192 ( 7-9/16" )
ZL-1506-OS-320	ZL-1506-IS-320	ZL-1506-WR-320			365 ( 14-3/8" )	384 ( 15-1/8" )	320 ( 12-5/8" )
ZL-1506-OS-640	ZL-1506-IS-640	ZL-1506-WR-640			685 ( 27" )	704 ( 27-3/4" )	640 ( 25-3/8" )
ZL-1506-OS-960	ZL-1506-IS-960	ZL-1506-WR-960			1005 (39-9/16" )	1024 (40-5/16" )	960 ( 37-13/16" )



Working Diagram		Door Thickness (mm)	Door Hole (mm)	Item No.	
Back-to-Back on Glass Door	With Base Plate		6~15 (15/64"~5/8")	ø 16 (5/8")	ZL-1506-WR
	Without Base Plate		25~45 (63/64"~1-49/64")	ø 9 (23/64")	ZL-1506-WR
Back-to-Back on Wooden/Metal Frame Door	With Base Plate		37~57 (1-29/64"~2-1/4")	ø 9 (23/64")	ZL-1506-WR
	Without Base Plate				
Single use on Wooden/Metal Frame Door	With Base Plate		Screws not included	ø 9 (23/64")	ZL-1506-OS
				-	ZL-1506-IS
	Without Base Plate			ø 9 (23/64")	ZL-1506-OS
				-	ZL-1506-IS

\*If door thickness exceeds recommended thickness, a longer bolt (not supplied) should be used.

# DOOR HANDLES AND APPLIANCE PULLS

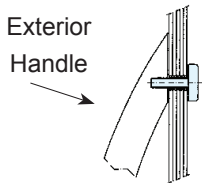
HANDLES

DOOR HANDLES AND APPLIANCE PULLS



## Mounting Kit for DSI Series Door Handles

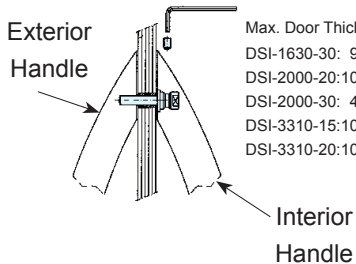
### Single handle installation kit for wood/glass/metal doors



Max. Door Thickness:  
 DSI-1630-30: 100 mm (4")    DSI-3310-30: 60 mm (2-3/8")  
 DSI-2000-20: 80 mm (3-3/16")    DSI-3330-30: 100 mm (4")  
 DSI-2000-30: 80 mm (3-3/16")    DSI-4400-15: 60 mm (2-3/8")  
 DSI-3310-15: 60 mm (2-3/8")    DSI-4400-20: 60 mm (2-3/8")  
 DSI-3310-20: 60 mm (2-3/8")    DSI-4400-30: 60 mm (2-3/8")

Item No.	For use with
DKIT-2/15-1	DSI-3310-15
DKIT-2/15-2	DSI-4400-15
DKIT-2/20-1	DSI-2000-20/DSI-3310-20
DKIT-2/20-2	DSI-4400-20
DKIT-2/30-1	DSI-1630-30/DSI-2000-30/DSI-3310-30/DSI-3330-30
DKIT-2/30-2	DSI-4400-30

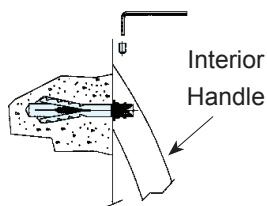
### Back-to-back handle installation kit for wood/glass/metal doors



Max. Door Thickness:  
 DSI-1630-30: 90 mm (3-1/2")    DSI-3310-30: 100 mm (4")  
 DSI-2000-20: 100 mm (4")    DSI-3330-30: 100 mm (4")  
 DSI-2000-30: 45 mm (1-3/4")    DSI-4400-15: 100 mm (4")  
 DSI-3310-15: 100 mm (4")    DSI-4400-20: 100 mm (4")  
 DSI-3310-20: 100 mm (4")    DSI-4400-30: 100 mm (4")

Item No.	For use with
DKIT-4/15-1	DSI-3310-15
DKIT-4/15-2	DSI-4400-15
DKIT-4/20-1	DSI-2000-20/DSI-3310-20
DKIT-4/20-2	DSI-4400-20
DKIT-4/30-1	DSI-1630-30/DSI-2000-30/DSI-3310-30/DSI-3330-30
DKIT-4/30-2	DSI-4400-30

### Single handle installation for concrete walls



Item No.	For use with
DKIT-5/15	DSI-3310-15/DSI-4400-15
DKIT-5/20	DSI-2000-20/DSI-3310-20/DSI-4400-20
DKIT-5/30	DSI-1630-30/DSI-2000-30/DSI-3310-30/DSI-3330-30/DSI-4400-30

# DOOR HANDLE

STAINLESS  
304  
STEEL

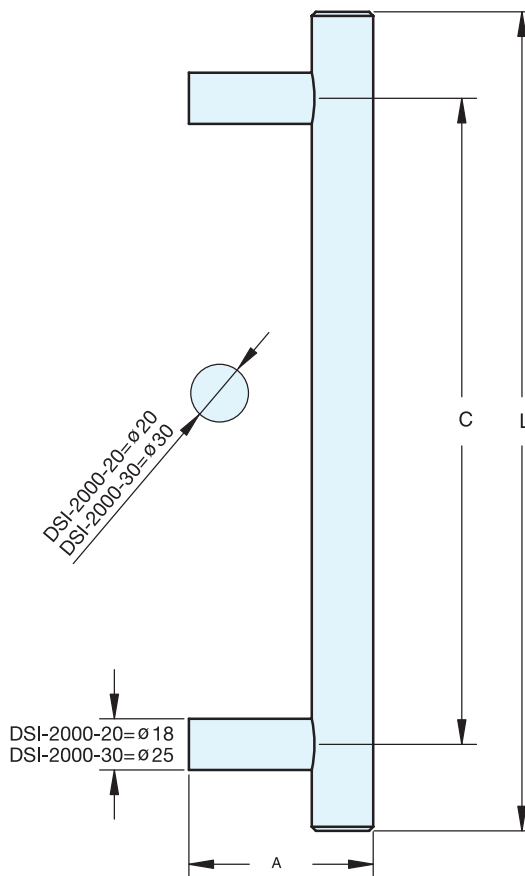
# DSI-2000

HANDLES

DOOR HANDLES



- For use with DSI mounting kits (sold separately, See P.10).
- Please specify Interior/Exterior type when ordering:
  - Posts for Exterior handles are threaded to accept screws.
  - Posts for Interior handles have set screws for DSI mounting kits.
- Similar style to 26 and 28 series cabinet handles. (P.37)



Material	Finish
304 Stainless Steel	Satin

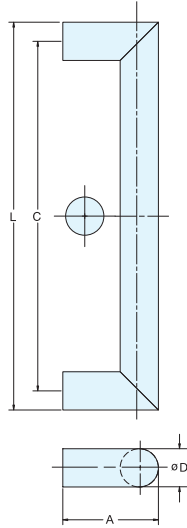
Item No.		L	C	A	Weight (kg)		Box (pcs)	Carton (pcs)
Interior	Exterior				Interior	Exterior		
DSI-2000-20-20I	DSI-2000-20-20E	300 (11-13/16")	200 ( 7-7/8" )	65 (2-9/16")	0.89 (1.9 lbs)	0.89 (1.9 lbs)	2	10
DSI-2000-20-25I	DSI-2000-20-25E	400 ( 15-3/4" )	250 ( 9-7/8" )		1.11 (2.4 lbs)	1.11 (2.4 lbs)		
DSI-2000-20-30I	DSI-2000-20-30E	450 ( 17-3/4" )	300 (11-13/16")		1.26 (2.8 lbs)	1.26 (2.8 lbs)		
DSI-2000-20-50I	DSI-2000-20-50E	700 ( 27-9/16" )	500 (19-11/16")		0.54 (1.2 lbs)	0.54 (1.2 lbs)		

Item No.		L	C	A	Weight (kg)		Box (pcs)	Carton (pcs)
Interior	Exterior				Interior	Exterior		
DSI-2000-30-25I	DSI-2000-30-25E	550 ( 21-5/8" )	250 ( 9-7/8" )	90 (3-9/16")	1.34 (3.0 lbs)	1.11 (2.4 lbs)	2	10
DSI-2000-30-35I	DSI-2000-30-35E	650 (25-9/16")	350 ( 13-3/4" )		1.22 (2.7 lbs)	1.20 (2.8 lbs)		
DSI-2000-30-45I	DSI-2000-30-45E	750 ( 29-1/2" )	450 ( 17-3/4" )		1.34 (3.0 lbs)	1.29 (2.8 lbs)		
DSI-2000-30-60I	DSI-2000-30-60E	900 (35-7/16")	600 ( 23-5/8" )		1.50 (3.0 lbs)	1.50 (3.0 lbs)		

# DOOR HANDLE

STAINLESS  
304  
STEEL

## DSI-3310



- For use with DSI mounting kits (sold separately, See P.10).
- Please specify Interior/Exterior type when ordering:
  - Posts for Exterior handles are threaded to accept screws.
  - Posts for Interior handles have set screws for DSI mounting kits.
- Similar style to DIH series cabinet handles. (P.36)

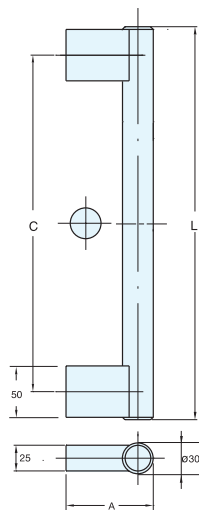
Material	Finish
304 Stainless Steel	Satin

Item No.		D	L	C	A	Weight (kg)		Box (pcs)	Carton (pcs)
Interior	Exterior					Interior	Exterior		
DSI-3310-15-15I	DSI-3310-15-15E	15	165 ( 6-1/2" )	150 ( 5-29/32" )	55 (2-3/16")	0.32 (0.7 lbs)	0.32 (0.7 lbs)	1	10
DSI-3310-15-20I	DSI-3310-15-20E		215 ( 8-1/2" )	200 ( 7-7/8" )		0.39 (0.9 lbs)	0.40 (0.9 lbs)		
DSI-3310-15-30I	DSI-3310-15-30E		315 ( 12-3/8" )	300 ( 11-13/16" )		0.52 (1.1 lbs)	0.54 (1.2 lbs)		
DSI-3310-20-20I	DSI-3310-20-20E	20	220 ( 8-11/16" )	200 ( 7-7/8" )	65 (2-9/16")	0.16 (0.4 lbs)	0.18 (0.4 lbs)		
DSI-3310-20-25I	DSI-3310-20-25E		270 ( 10-5/8" )	250 ( 9-27/32" )		0.18 (0.4 lbs)	0.20 (0.4 lbs)		
DSI-3310-20-30I	DSI-3310-20-30E		320 ( 12-5/8" )	300 ( 11-13/16" )		0.20 (0.4 lbs)	0.23 (0.5 lbs)		
DSI-3310-30-25I	DSI-3310-30-25E	30	280 ( 11" )	250 ( 9-27/32" )	90 (3-9/16")	0.48 (1.1 lbs)	0.48 (1.1 lbs)		
DSI-3310-30-30I	DSI-3310-30-30E		330 ( 12" )	300 ( 11-13/16" )		0.52 (1.1 lbs)	0.52 (1.1 lbs)		
DSI-3310-30-35I	DSI-3310-30-35E		380 ( 14-15/16" )	350 ( 13-25/32" )		0.59 (1.3 lbs)	0.57 (1.3 lbs)		
DSI-3310-30-60I	DSI-3310-30-60E		630 ( 24-13/16" )	600 ( 23-5/8" )		0.95 (2.1 lbs)	0.95 (2.1 lbs)		

# DOOR HANDLE

STAINLESS  
304  
STEEL

## DSI-3330



- For use with DSI mounting kits (sold separately, See P.10).
- Please specify Interior/Exterior type when ordering:
  - Posts for Exterior handles are threaded to accept screws.
  - Posts for Interior handles have set screws for DSI mounting kits.
- Similar style to 16 and 27 series cabinet handles. (P.36)

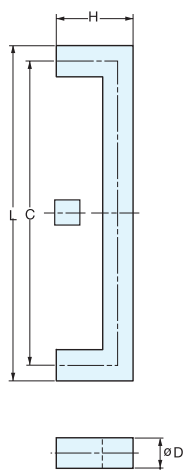
Material	Finish
304 Stainless Steel	Satin

Item No.		L	C	A	Weight (kg)		Box (pcs)	Carton (pcs)
Interior	Exterior				Interior	Exterior		
DSI-3330-30-30I	DSI-3330-30-30E	350	300 ( 11-13/16" )	90 (3-9/16")	1.49 (3.3 lbs)	1.57 (3.5 lbs)	1	10
DSI-3330-30-50I	DSI-3330-30-50E	550	500 ( 19-11/16" )		1.70 (3.7 lbs)	1.70 (3.7 lbs)		

# DOOR HANDLE



## DSI-4400



- For use with DSI mounting kits (sold separately, See P.10).
- Please specify Interior/Exterior type when ordering:
  - Posts for Exterior handles are threaded to accept screws.
  - Posts for Interior handles have set screws for DSI mounting kits.
- Similar style to KPH series cabinet handles. (P.45)

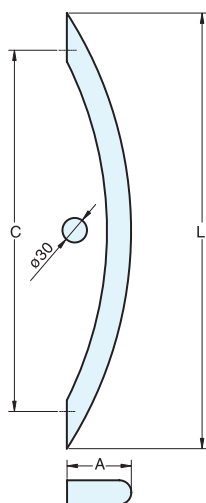
Material	Finish
304 Stainless Steel	Satin

Item No.		D	L	C	H	Weight (kg)		Box (pcs)	Carton (pcs)
Interior	Exterior					Interior	Exterior		
DSI-4400-15-15I	DSI-4400-15-15E	15	165 ( 6-1/2" )	150 ( 5-29/32" )	55 ( 2-3/16" )	0.41 ( 0.9 lbs )	0.42 ( 0.9 lbs )	1	10
DSI-4400-15-20I	DSI-4400-15-20E		215 ( 8-1/2" )	200 ( 7-7/8" )		0.48 ( 1.1 lbs )	0.50 ( 1.1 lbs )		
DSI-4400-15-30I	DSI-4400-15-30E		315 ( 12-3/8" )	300 ( 11-13/16" )		0.67 ( 1.5 lbs )	0.68 ( 1.5 lbs )		
DSI-4400-20-20I	DSI-4400-20-20E	20	220 ( 8-11/16" )	200 ( 7-7/8" )	65 ( 2-9/16" )	0.18 ( 0.4 lbs )	0.23 ( 0.5 lbs )		
DSI-4400-20-25I	DSI-4400-20-25E		270 ( 10-5/8" )	250 ( 9-27/32" )		0.22 ( 0.5 lbs )	0.24 ( 0.5 lbs )		
DSI-4400-20-30I	DSI-4400-20-30E		320 ( 12-5/8" )	300 ( 11-13/16" )		0.26 ( 0.6 lbs )	0.26 ( 0.6 lbs )		
DSI-4400-30-25I	DSI-4400-30-25E	30	280 ( 11" )	250 ( 9-27/32" )	90 ( 3-9/16" )	0.56 ( 1.2 lbs )	0.59 ( 1.3 lbs )		
DSI-4400-30-30I	DSI-4400-30-30E		330 ( 12" )	300 ( 11-13/16" )		0.51 ( 1.1 lbs )	0.50 ( 1.1 lbs )		
DSI-4400-30-35I	DSI-4400-30-35E		380 ( 14-15/16" )	350 ( 13-25/32" )		0.71 ( 1.6 lbs )	0.57 ( 1.3 lbs )		
DSI-4400-30-60I	DSI-4400-30-60E		630 ( 24-13/16" )	600 ( 23-5/8" )		1.09 ( 2.4 lbs )	1.09 ( 2.4 lbs )		

# DOOR HANDLE



## DSI-1630



- For use with DSI mounting kits (sold separately, See P.10).
- Please specify Interior/Exterior type when ordering:
  - Posts for Exterior handles are threaded to accept screws.
  - Posts for Interior handles have set screws for DSI mounting kits.
- Similar style to 30 series cabinet handles. (P.38)



Material	Finish
304 Stainless Steel	Satin

Item No.		L	C	A	Weight (kg)	Box (pcs)	Carton (pcs)
Interior	Exterior						
DSI-1630-30-25I	DSI-1630-30-25E	314 ( 12-3/8" )	250 ( 9-7/8" )	66 ( 2-19/32" )	0.8 ( 1.8 lbs )	1	10
DSI-1630-30-35I	DSI-1630-30-35E	430 ( 16-15/16" )	350 ( 13-3/4" )	74 ( 2-29/32" )	1.2 ( 2.7 lbs )		
DSI-1630-30-45I	DSI-1630-30-45E	542 ( 21-5/16" )	450 ( 17-3/4" )	80 ( 3-5/32" )	1.5 ( 3.3 lbs )		
DSI-1630-30-60I	DSI-1630-30-60E	721 ( 28-3/8" )	600 ( 23-5/8" )	79 ( 3-7/64" )	1.8 ( 4.0 lbs )		

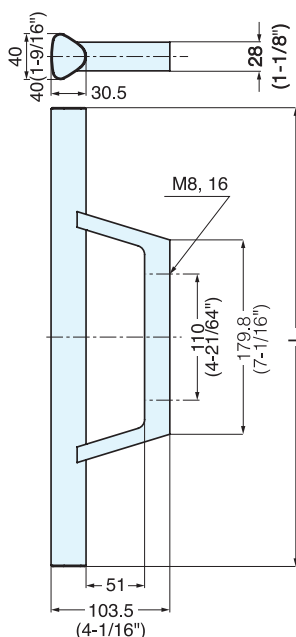
# LARGE HANDLE (STRAIGHT DESIGN)



**TBH**



TBH-600SL



- Revolutionary design aesthetic combines purity of form with solidity of feel.
- Consists of a triangle-shaped bar and a bracket in the center.
- Rich individuality and excellent overall coordination.

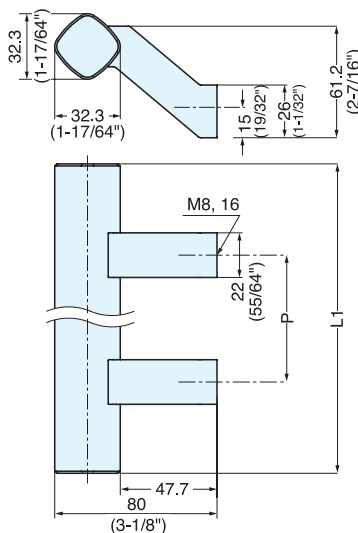
Item No.	Finish(Bar Handle)	L	Weight(g)
TBH-400SL	Silver	400 (15-3/4")	1300
TBH-400BL	Black		
TBH-600SL	Silver	600 (23-5/8")	1770
TBH-600BL	Black		

Part Name	Material	Finish
Bar Handle	Aluminum Alloy	Silver/Black
Bracket	Zinc Alloy	Black

# LARGE HANDLE (OFF-SET DESIGN)



**SBH**



- A minimalist yet functional profile.
- Square handle fits perfectly in the hand.
- The unique design creates the impression of a floating handle.

Item No.	Finish	L <sub>1</sub>	P	Weight(g)
SBH-400SL	Silver	400 (15-3/4")	310 (12-13/64")	893
SBH-400BL	Black			
SBH-600SL	Silver	600 (23-5/8")	510 (20-5/64")	1270
SBH-600BL	Black			
SBH-800SL	Silver	800 (31-1/2")	710 (27-61/64")	1647
SBH-800BL	Black			

Part Name	Material	Finish/Color
Bar Handle	Aluminum Alloy	Silver/Black
Bracket	Zinc Alloy	Black

# LARGE HANDLE



# MDH

HANDLES

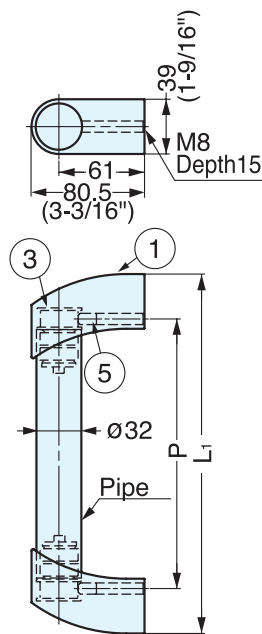
LARGE HANDLES

- Handle bars available in 304 stainless steel (304SS) or carbon fiber reinforced polymer (CFRP). Posts are zinc die cast with a chrome (CR) finish.
- Includes hexagonal M8 × 15 bolts.
- Assembly required.

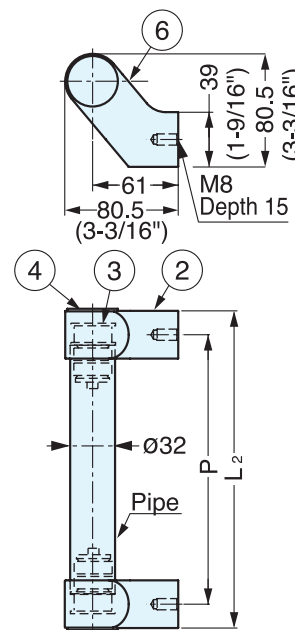


MDH-PS

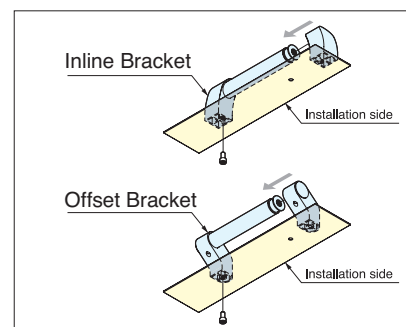
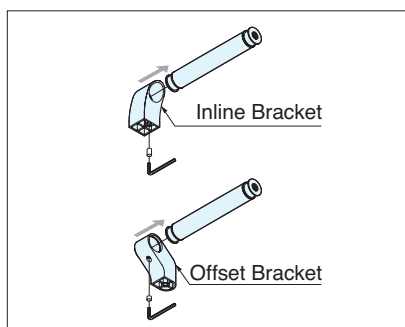
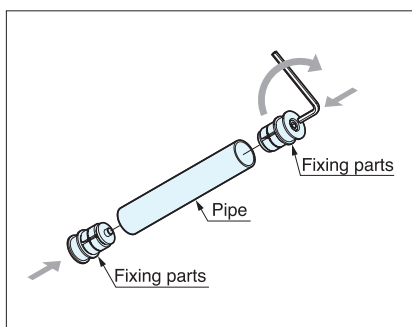
MDH-PC



INLINE



OFFSET



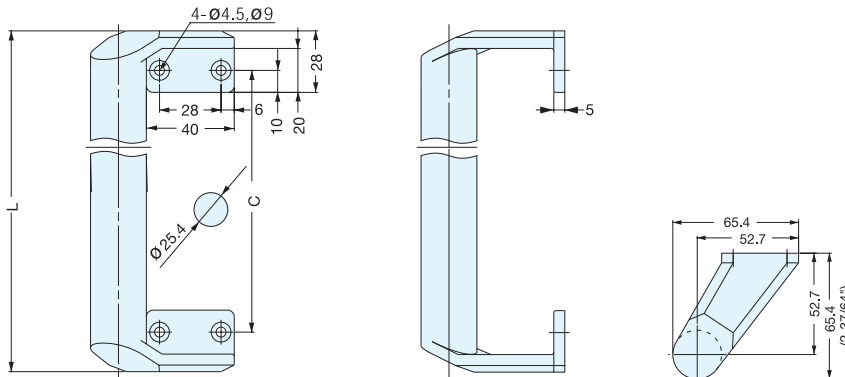
No.	Part Name	Material	Finish/Color
①	Bracket (Straight)	Zinc Alloy	Matte Chrome
②	Bracket (Offset)		
③	Fixing Parts		
④	Cover	Polyacetal	
⑤	HEX set screw M8x15	Stainless Steel	Black
⑥	HEX set screw M8x8		Plain

Item No.		Material	P (mm)	L <sub>1</sub> (mm)	L <sub>2</sub> (mm)	Weight (g)	
Inline Posts	Offset Posts					Inline	Offset
MDH-PS192-IH	MDH-PS192-OH	304 Stainless Steel	192 ( 7-9/16" )	256	226	1386	1506
MDH-PS350-IH	MDH-PS350-OH		350 (13-25/32")	414	384	1729	1849
MDH-PS500-IH	MDH-PS500-OH		500 (19-11/16")	564	534	2052	2172
MDH-PS800-IH	MDH-PS800-OH		800 ( 31-1/2" )	864	834	2702	2822
MDH-PS1200-IH	MDH-PS1200-OH		1200 ( 47-1/4" )	1264	1234	3572	3692
MDH-PC192-IH	MDH-PC192-OH	CFRP	192 ( 7-9/16" )	256	226	1072	1192
MDH-PC350-IH	MDH-PC350-OH		350 (13-25/32")	414	384	1134	1254
MDH-PC500-IH	MDH-PC500-OH		500 (19-11/16")	564	534	1193	1313
MDH-PC800-IH	MDH-PC800-OH		800 ( 31-1/2" )	864	834	1311	1431
MDH-PC1200-IH	MDH-PC1200-OH		1200 ( 47-1/4" )	1264	1234	1469	1589

# LARGE HANDLE



## MP-500, 750, 1000



- Ideal for harsh and high corrosive environments.
- Designed for machinery applications where a heavy duty handle is required.

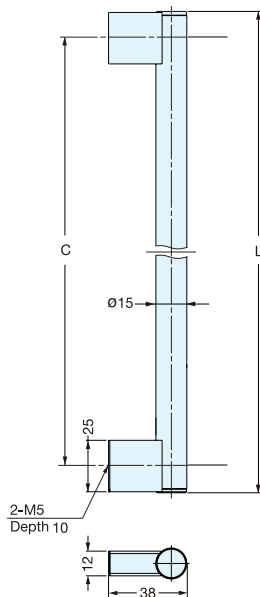
Item No.	L	C	Weight (g)	Box (pcs)	Carton (pcs)
MP-500	500	464 (18-17/64")	1000	2	20
MP-750	750	714 (28-7/64")	1300		16
MP-1000	1000	964 (37-61/64")	1600		12

Material	Finish
316 Stainless Steel	Mirror

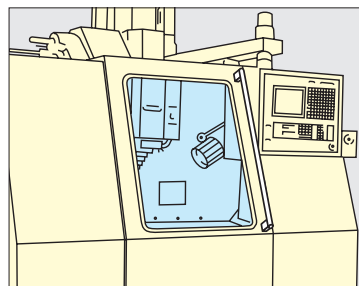
# LARGE HANDLE



## RH-760



- Low profile design.
- Designed for machinery applications where a heavy duty handle is required.
- Recommended screw size: M5



Item No.	L	C	Weight (g)	Box (pcs)	Carton (pcs)
RH-760	786	760 (29-59/64")	340	20	200

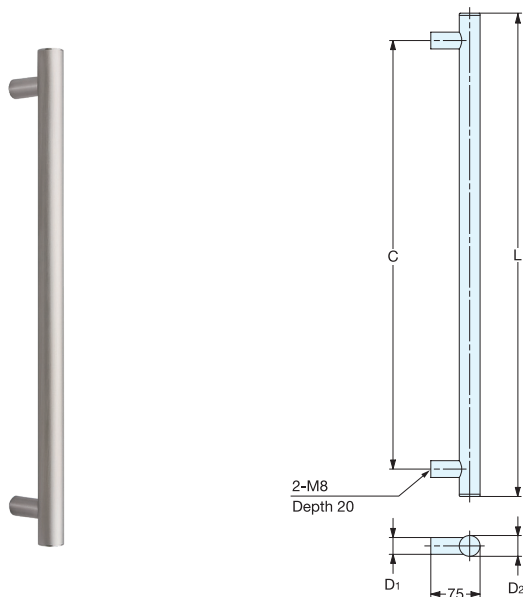
Material	Finish
304 Stainless Steel	Satin



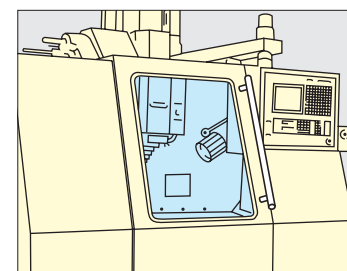
# LARGE HANDLE



SSH



- Ideal in high corrosive environments and machinery applications.
- Designed for applications where a heavy duty handle is required.
- Recommended screw size: M8



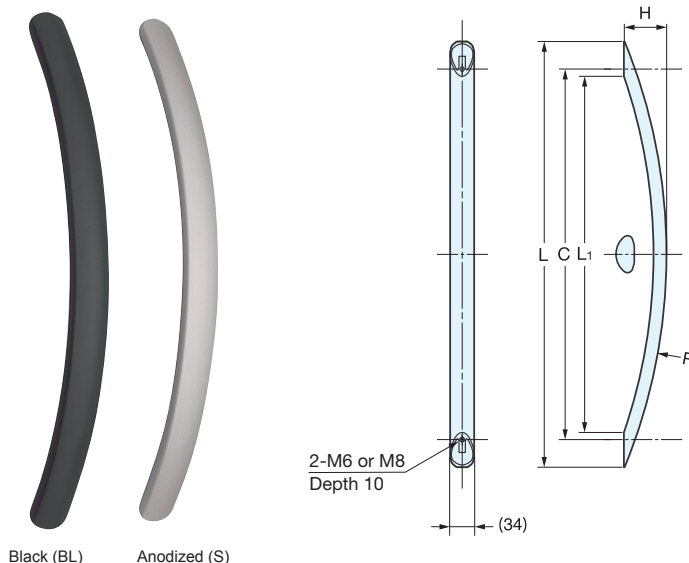
Item No.	L	C	D <sub>1</sub>	D <sub>2</sub>	Weight (g)	Box (pcs)	Carton (pcs)
SSH-2540	400	316 (12-7/16")	19	25	665	10	100
SSH-2560	600	516 (20-5/16")			750		
SSH-2580	800	716 (28-3/16")			840		
SSH-3240	400	316 (12-7/16")	25	32	1175	5	50
SSH-3260	600	516 (20-5/16")			1290		
SSH-3280	800	716 (28-3/16")			1400		

Material	Finish
304 Stainless Steel	Satin

# ALUMINUM LARGE HANDLE



SOR



- Ideal for machinery applications where a large handle is required.
- Recommended screw size:  
M6 (400 and 600)  
M8 (800)

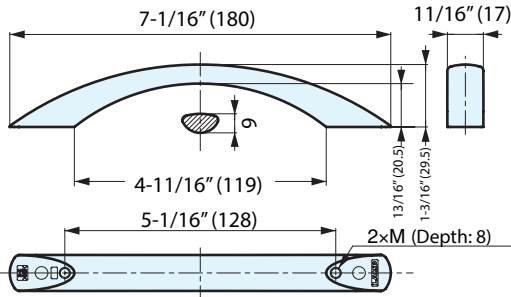
Black (BL)      Anodized (S)

Material	Finish
Aluminum	Anodized (S) Black (BL)

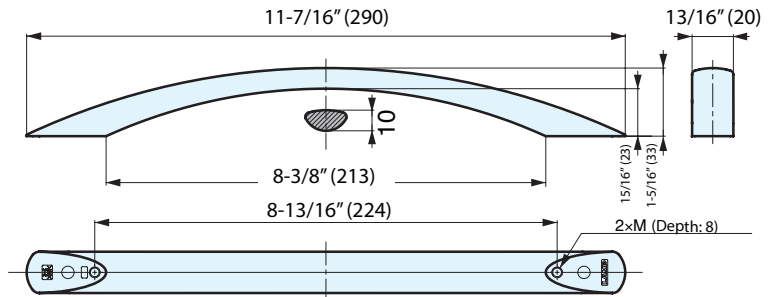
Item No.	L	L <sub>1</sub>	C	H	R	Weight (g)	Box (pcs)	Carton (pcs)
SOR-400/S	SOR-400/BL	(390) (15-23/64")	(323)	335 (13-3/16")	(60) (2-23/64")	350	385	30
SOR-600/S	SOR-600/BL	(600) ( 23-5/8" )	(502)	522 (20-35/64")		790	495	20
SOR-800/S	SOR-800/BL	(816) ( 32-1/8" )	(686)	710 (27-61/64")		1440	605	15

LARGE HANDLE

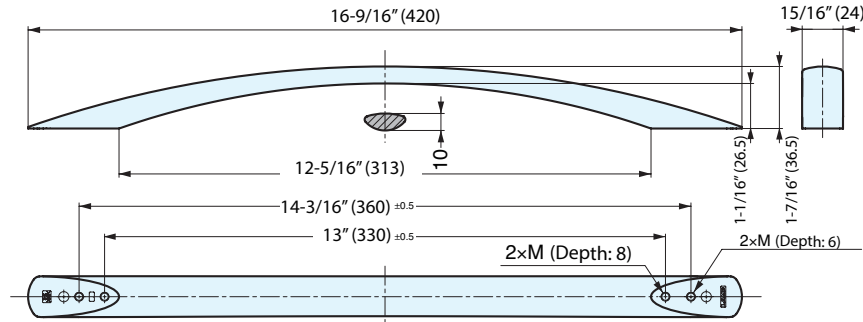
- Silver ion coated handle, ideal for medical and food equipment.
- Sleek, curved design with low profile.
- Available in three sizes and two colors to suit application requirements.



SRH-128



SRH-224



SRH-330

Material	Finish/Color
Aluminum	Anodized (S)/Black (BL)

Item No.	L	L <sub>1</sub>	C	H	Weight (g)	Box (pcs)	Carton (pcs)
SRH-128SL-M4	7-1/16" (180)	119	5-1/16" (128)	1-3/16" (29.5)	68	10	80
SRH-128BL-M4							
SRH-128SL-M5	SRH-128BL-M5						
SRH-224SL-M4	11-7/16" (290)	213	8-13/16" (224)	1-5/16" (33)	130		40
SRH-224SL-M5						SRH-224BL-M5	
SRH-224BL-M4	SRH-224BL-M5						
SRH-330SL-M4	16-9/16" (420)	313	14-3/16" (360)	1-7/16" (36.5)	233	40	
SRH-330SL-M5							SRH-330BL-M5
SRH-330BL-M4	SRH-330BL-M5						

# LARGE HANDLE

STAINLESS  
304  
STEEL

SLH

HANDLES

LARGE HANDLE

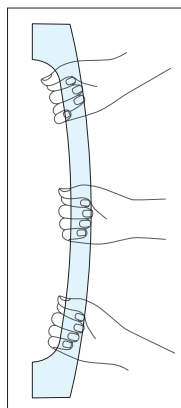
- Stainless steel for high corrosion resistance.
- Has smooth modern shape with a premium satin finish.
- Ergonomically designed to comfortably grab any part of the handle.



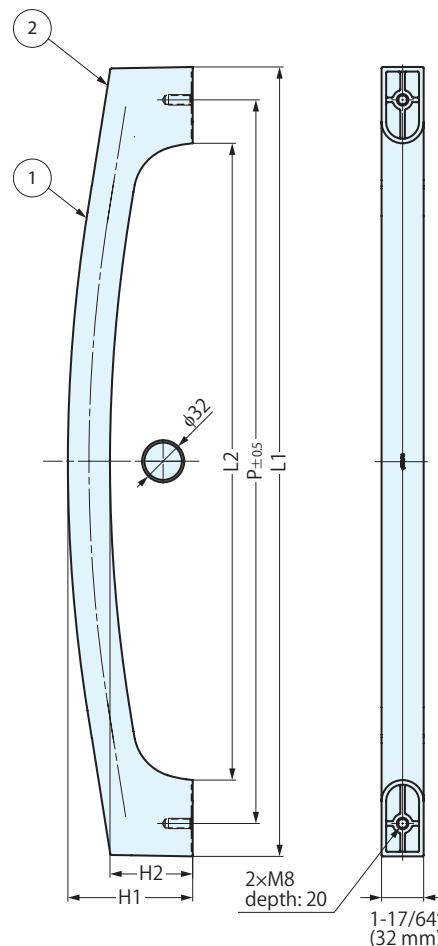
SLH-3240SH

SLH-3260SH

SLH-3280SH



Easy to hold any part of the handle.



No.	Part Name	Material	Finish
①	Bracket	Stainless Steel	Satin
②	Pipe	304 Stainless Steel	

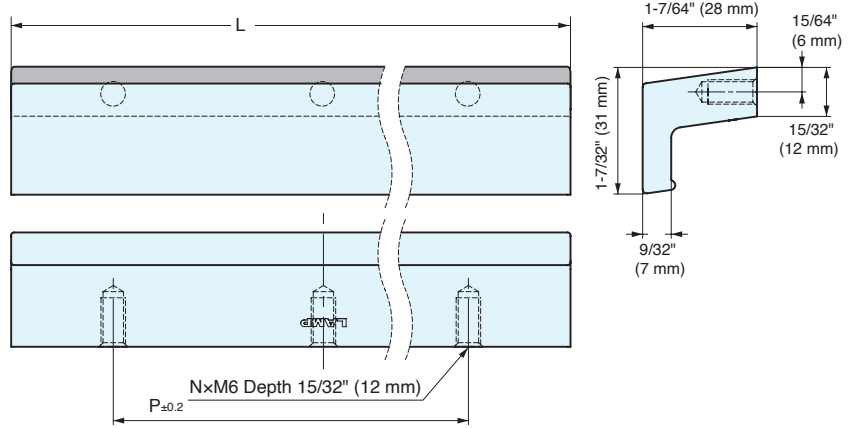
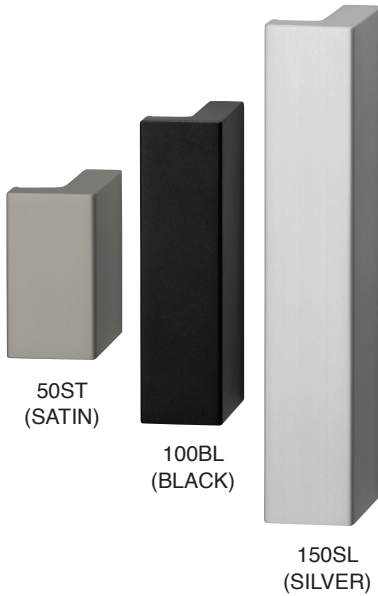
Item No.	L <sub>1</sub>	L <sub>2</sub>	P	H <sub>1</sub>	H <sub>2</sub>	Weight (g)	Box (pcs)	Carton (pcs)
SLH-3240SH	400 (15-3/4")	284 (11-3/16")	350 (13-25/32")	87 (3-27/64")	55 (2-11/64")	2030	5	10
SLH-3260SH	600 (23-5/8")	484 (19-1/16")	550 (21-21/32")	95 (3-47/64")	63 (2-31/64")	2290		
SLH-3280SH	800 (31-1/2")	684 (26-59/64")	750 (29-17/32")	102 (4-1/64")	70 (2-3/4")	2560		

# LARGE HANDLE



ALH

- Aluminum casted and ergonomically designed.
- Corrosion Resistant.
- Angled design to reduce dust accumulation.
- Features an anti-slip design.
- Available in a variety of sizes and modern finishes.
- Ideal for medical, laboratory or industrial equipment where durability and aesthetics are required.



The anodized finish over a shot blasted surface produces a balance of *Toughness & Beauty* that can be experienced when people and machine connect.

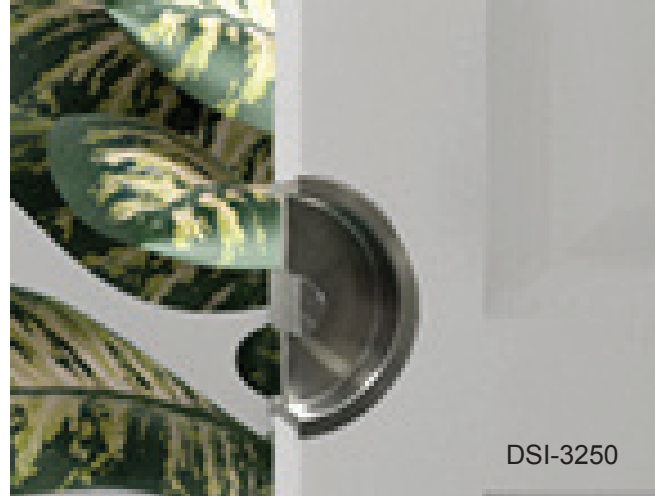


Item No.	Finish	Material	L	P	Load Capacity	Weight (g)	Box (pcs)	Carton (pcs)
ALH-50SL	Matte Silver Anodized	Aluminum Alloy	1-31/32" (50)	1-3/16" (30)	112 lbs (51 kg)	58	10	120
ALH-50BL	Matte Black Anodized							
ALH-50ST	Anodized Satin							
ALH-100SL	Matte Silver Anodized		3-15/16" (100)	2-23/64" (60)		118	10	80
ALH-100BL	Matte Black Anodized							
ALH-100ST	Anodized Satin							
ALH-150SL	Matte Silver Anodized		5-29/32" (150)	3-15/16" (100)		178	10	40
ALH-150BL	Matte Black Anodized							
ALH-150ST	Anodized Satin							
ALH-200SL	Matte Silver Anodized		7-7/8" (200)	2-61/64" (75)		237	6	36
ALH-200BL	Matte Black Anodized							
ALH-200ST	Anodized Satin							
ALH-1000SL	Matte Silver Anodized	39-3/8" (1000)	5-29/32" (150)	1191	6	12		
ALH-1000BL	Matte Black Anodized							
ALH-1000ST	Anodized Satin							



# Sliding Door Handles

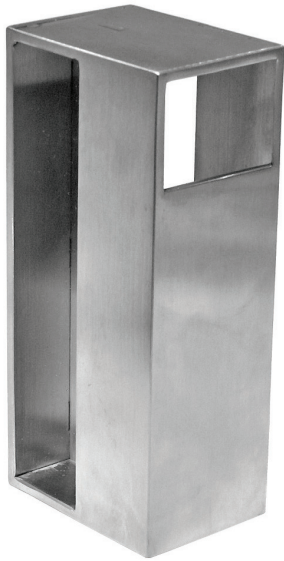
# SLIDING DOOR HANDLE



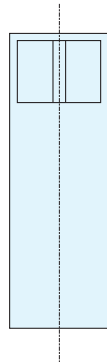
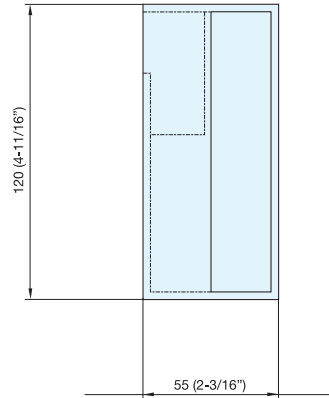
# SLIDING DOOR HANDLE

STAINLESS  
304  
STEEL

# DSI-4251



- Contemporary handle design that can be accessed from door front, back, or edge.
- Requires adhesive for installation (such as 2-part epoxy, not supplied.)



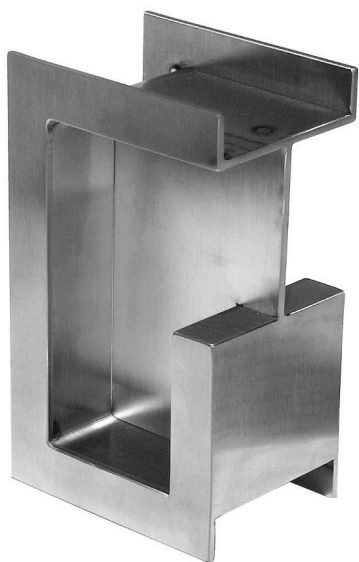
Item No.	A	Weight (g)	Box (pcs)	Carton (pcs)
DSI-4251-35	35.0 ( 1-3/8" )	490 (1.08 lbs)	1	10
DSI-4251-38	38.0 ( 1-1/2" )	515 (1.14 lbs)		
DSI-4251-40	40.0 ( 1-9/16" )	530 (1.17 lbs)		
DSI-4251-43	43.0 ( 1-11/16" )	550 (1.21 lbs)		
DSI-4251-45	44.5 ( 1-3/4" )	570 (1.26 lbs)		
DSI-4251-50	50.0 ( 1-31/32" )	590 (1.30 lbs)		

Material	Finish
304 Stainless Steel	Satin

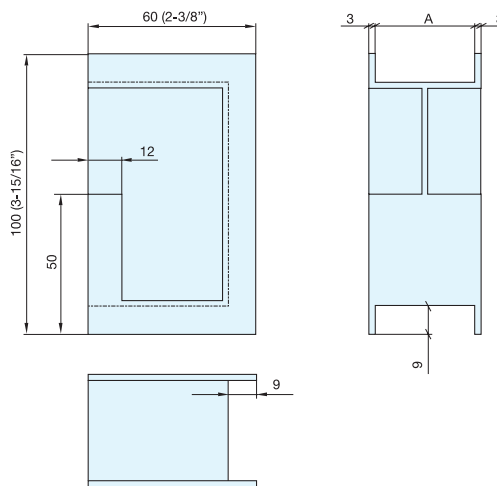
# SLIDING DOOR HANDLE

STAINLESS  
304  
STEEL

## DSI-4253



- Contemporary handle design that can be accessed from door front, back, or edge.
- Requires adhesive for installation (Such as 2-part epoxy, not supplied.)



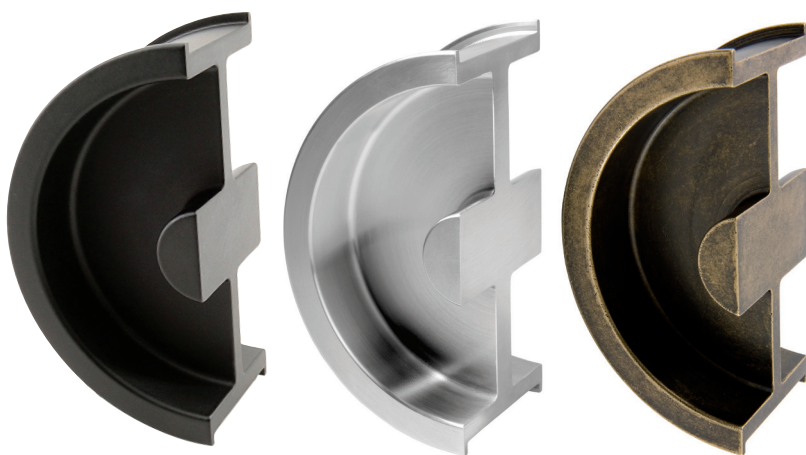
Item No.	A	Weight (g)	Box (pcs)	Carton (pcs)	Material	Finish
DSI-4253-35	35.0 ( 1-3/8" )	495 (1.09 lbs)	1	10	304 Stainless Steel	Satin
DSI-4253-38	38.0 ( 1-1/2" )	505 (1.11 lbs)				
DSI-4253-40	40.0 ( 1-9/16" )	515 (1.14 lbs)				
DSI-4253-43	43.0 ( 1-11/16" )	530 (1.17 lbs)				
DSI-4253-45	44.5 ( 1-3/4" )	545 (1.20 lbs)				

# SLIDING DOOR HANDLE

STAINLESS  
304  
STEEL

BRASS

## DSI-3250

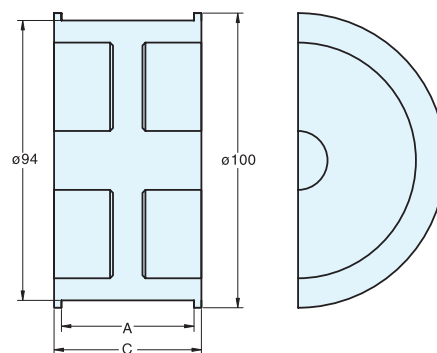


Matte Black

Satin

Antique Brass

- Contemporary handle design that can be accessed from door front, back, or edge.
- Requires adhesive for installation (Such as 2-part epoxy, not supplied.)

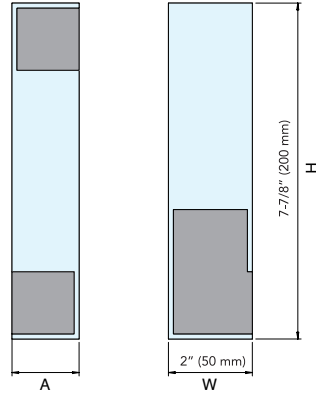


Item No.	C	A	Weight (g)	Box (pcs)	Carton (pcs)	Material	Finish
DSI-3250-12-1	17 ( 11/16" )	12.7 ( 1/2" )	280 (0.6 lbs)	1	10	304 Stainless Steel	Satin, Black (BL)
DSI-3250-35	39 ( 1-17/32" )	35.0 ( 1-3/8" )	440 (0.9 lbs)				
DSI-3250-35-AB							
DSI-3250-35-BL							
DSI-3250-45	49 ( 1-15/16" )	45.0 ( 1-49/64" )	550 (1.2 lbs)				
DSI-3250-45-AB							
DSI-3250-45-BL							
DSI-3250-50	54 ( 2-1/8" )	50.0 ( 1-31/32" )	670 (1.5 lbs)	Brass (AB model only)	Antique Brass (AB)		

## SLIDING DOOR HANDLE

STAINLESS  
304  
STEEL

DSI-4257



- Contemporary handle design that can be accessed from door front, back, or edge.
- Requires adhesive for installation (such as 2-part epoxy, not supplied.)



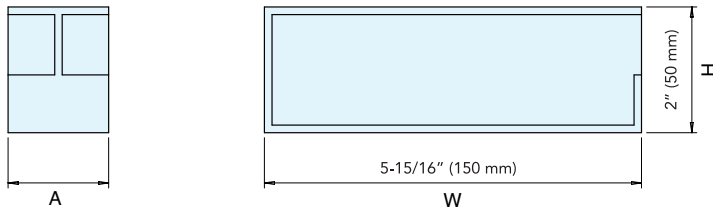
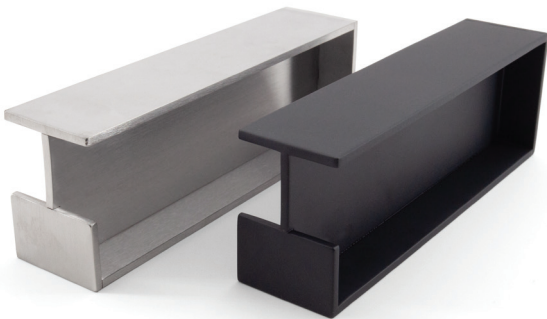
Item No.	W	H	A	Weight (g)	Box (pcs)	Carton (pcs)
DSI-4257-35	2" (50)	7-7/8" (200)	1-3/8" (35)	528	1	8
DSI-4257-45			1-3/4" (45)	625		

Material	Finish
304 Stainless Steel	Satin

## SLIDING DOOR HANDLE

STAINLESS  
304  
STEEL

DSI-4258



- Contemporary handle design that can be accessed from door front, back, or edge.
- Requires adhesive for installation (such as 2-part epoxy, not supplied.)
- Unique, horizontal design for more natural movement.



Item No.	W	H	A	Weight (g)	Box (pcs)	Carton (pcs)
DSI-4258-35	5-15/16" (150)	2" (50)	1-3/8" (35)	496	1	18
DSI-4258-35-BL			1-3/8" (35)	496		
DSI-4258-45			1-3/4" (45)	542		
DSI-4258-45-BL			1-3/4" (45)	542		

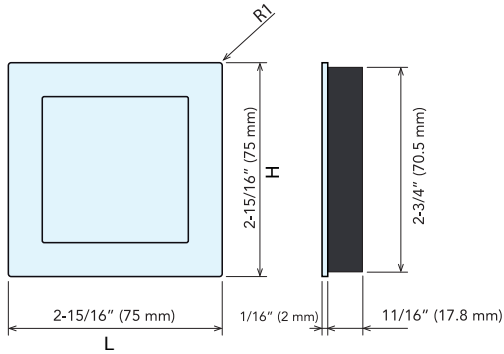
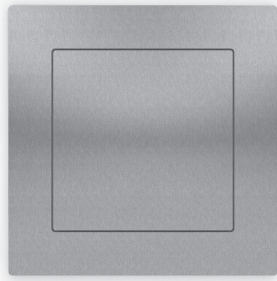
Material	Finish
304 Stainless Steel	Satin, Black (BL)



# RECESSED PULL



## DSI-4501



- Modern, unobtrusive design.
- 1/16" (2mm) projection, ideal for furniture or pocket doors.



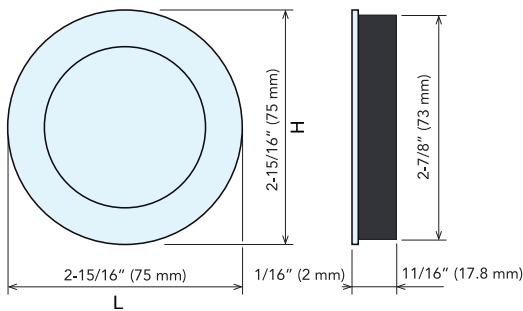
Item No.	L	H	D	Weight (g)	Box (pcs)	Carton (pcs)
DSI-4501-75	2-15/16" (75)	2-15/16" (75)	11/16" (17.8)	141	10	40

Part Name	Material	Finish
Faceplate, Ring	304 Stainless Steel	Satin
Cup	Plastic	Black
Spring	Steel	-

# RECESSED PULL



## DSI-4502



- Modern, unobtrusive design.
- 1/16" (2mm) projection, ideal for furniture or pocket doors.



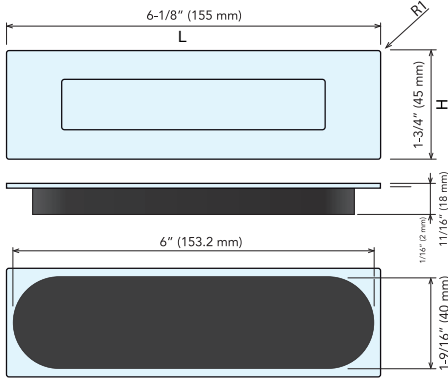
Item No.	L	H	D	Weight (g)	Box (pcs)	Carton (pcs)
DSI-4502-75	2-15/16" (75)	2-15/16" (75)	11/16" (17.8)	122	10	40

Part Name	Material	Finish
Faceplate, Ring	304 Stainless Steel	Satin
Cup	Plastic	Black
Spring	Steel	-

## RECESSED PULL

STAINLESS  
304  
STEEL

DSI-4503



- Modern, unobtrusive design.
- 1/16" (2mm) projection, ideal for furniture or pocket doors.



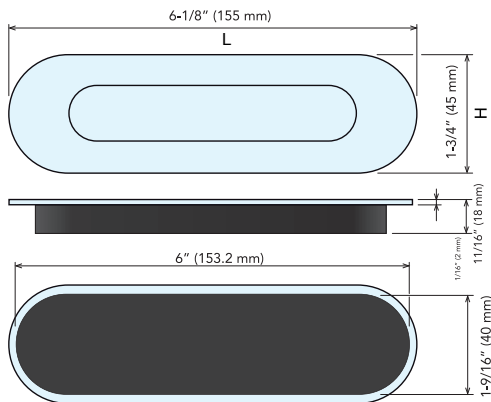
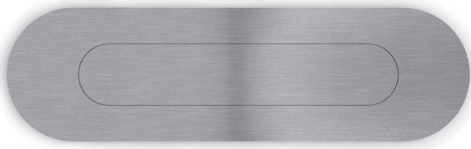
Item No.	L	H	D	Weight (g)	Box (pcs)	Carton (pcs)
DSI-4503-155	6-1/8" (155)	1-3/4" (45)	11/16" (18)	173	10	40

Part Name	Material	Finish
Faceplate, Ring	304 Stainless Steel	Satin
Cup	Plastic	Black
Spring	Steel	-

## RECESSED PULL

STAINLESS  
304  
STEEL

DSI-4504



- Modern, unobtrusive design.
- 1/16" (2mm) projection, ideal for furniture or pocket doors.



Item No.	L	H	D	Weight (g)	Box (pcs)	Carton (pcs)
DSI-4504-155	6-1/8" (155)	1-3/4" (45)	11/16" (18)	170	10	40

Part Name	Material	Finish
Faceplate, Ring	304 Stainless Steel	Satin
Cup	Plastic	Black
Spring	Steel	-

## SLIDING DOOR HANDLE



DSI-3020



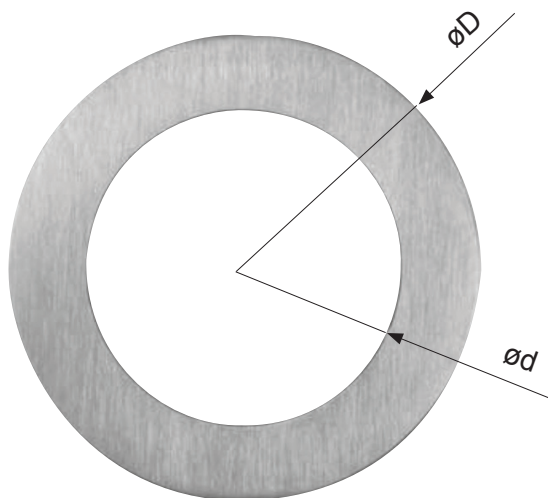
DSI-4020

## SLIDING DOOR HANDLE



## DSI-3010

- Surface-mount handle.
- Sold as a set. Each set includes 2 metal handles and 1 edge-mounted recessed pull (for use with wood doors).

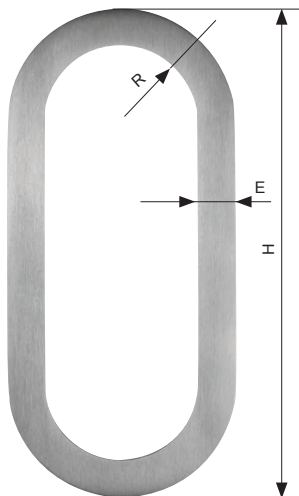


Item No.	D	d	Thickness (mm)	Weight (g)	Box (sets)	Carton (sets)
DSI-3010-40	40 ( 1-9/16" )	24 ( 15/16" )	6 ( 1/4" )	80	1	10
DSI-3010-70	70 ( 2-3/4" )	46 ( 1-13/16" )		140		
DSI-3010-100	100 ( 3-15/16" )	68 ( 2-11/16" )		200		

Material	Finish
304 Stainless Steel	Satin

## SLIDING DOOR HANDLE

### DSI-3020



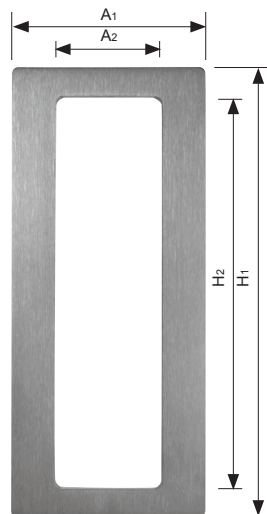
- Surface-mount handle.
- Sold as a set. Each set includes 2 metal handles and 1 edge-mounted recessed pull (for use with wood doors).

Material	Finish
304 Stainless Steel	Satin

Item No.	H	E	R	Thickness (mm)	Weight (g)	Box (sets)	Carton (sets)
DSI-3020-85	85 ( 3-3/8" )	8	12	6 (1/4")	70	1	10
DSI-3020-150	150 ( 5-7/8" )	12	23		125		
DSI-3020-300	300 ( 11-13/16" )	16	24		250		

## SLIDING DOOR HANDLE

### DSI-4020



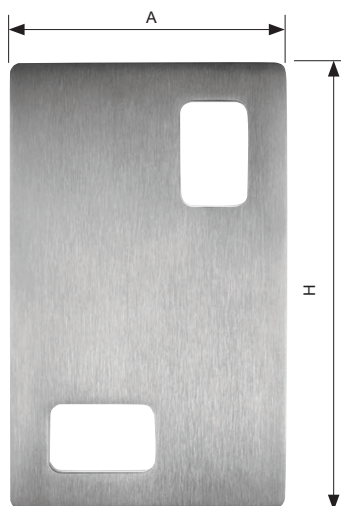
- Surface-mount handle.
- Sold as a set. Each set includes 2 metal handles and 1 edge-mounted recessed pull (for use with wood doors).

Material	Finish
304 Stainless Steel	Satin

Item No.	H <sub>1</sub>	H <sub>2</sub>	A <sub>1</sub>	A <sub>2</sub>	Thickness (mm)	Weight (g)	Box (sets)	Carton (sets)
DSI-4020-85	85 ( 3-3/8" )	65 ( 2-9/16" )	50 ( 2" )	20 ( 13/16" )	6 (1/4")	135	1	10
DSI-4020-150	150 ( 5-7/8" )	130 ( 5-1/8" )	65 ( 2-9/16" )	35 ( 1-3/8" )		240		
DSI-4020-300	300 ( 11-13/16" )	280 ( 11" )	80 ( 3-3/16" )	50 ( 2" )		480		

## SLIDING DOOR HANDLE

### DSI-4040



- Surface-mount handle.
- Sold as a set. Each set includes 2 metal handles and 1 edge-mounted recessed pull (for use with wood doors).

Material	Finish
304 Stainless Steel	Satin

Item No.	H	A	Thickness (mm)	Weight (g)	Box (sets)	Carton (sets)
DSI-4040-85	85 ( 3-3/8" )	50 ( 2" )	6 (1/4")	70	1	10
DSI-4040-150	150 ( 5-7/8" )	92 ( 3-5/8" )		125		
DSI-4040-300	300 ( 11-13/16" )	185 ( 7-5/16" )		250		



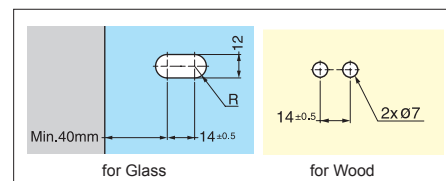
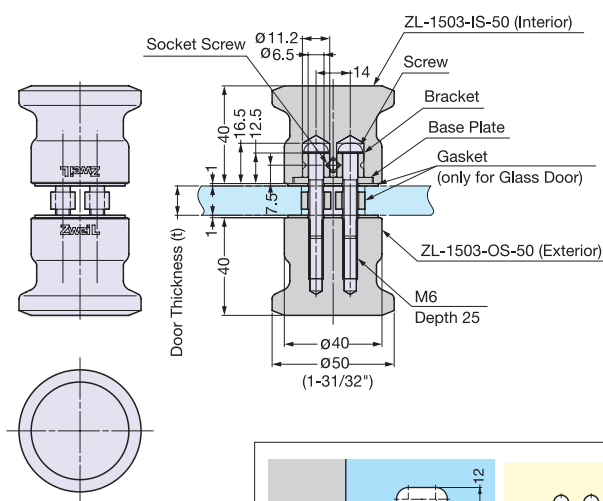
Zwei L Glass Door Knob



ZL-1503



- Door Thickness (t)
  - Wooden/Metal Frame Door: 36~48 mm (1-7/16"~1-7/8")
  - Glass Door: 6~12 mm (1/4"~1/2")



Cut out dimensions

Item No.	Type	Material	Finish/Color	Weight (g)	Box (pcs)
ZL-1503-IS-50	Interior Knob	316 Stainless Steel	Zwei L	480	1
ZL-1503-OS-50	Exterior Knob			507	1
ZL-1503-WN-50*	Back-to-Back Knob			1000	1

\*Back-to-Back type includes 2 knobs, screw set and allen key.

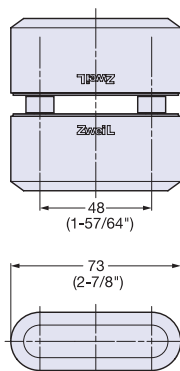
# Zwei L Glass Door Pull



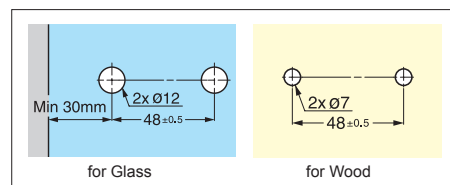
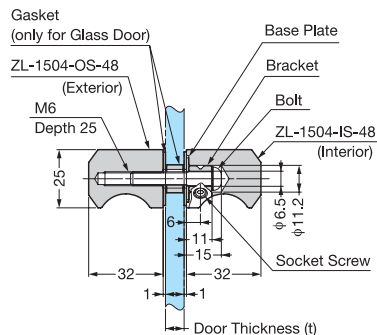
ZL-1504

HANDLES

Zwei L GLASS DOOR PULLS



- Door Thickness (t)
  - Wooden/Metal Frame Door: 36~48 mm (1-7/16"~1-7/8")
  - Glass Door: 6~12 mm (1/4"~1/2")
  - Hardware set for glass only included in back to back set.



Cut out dimensions

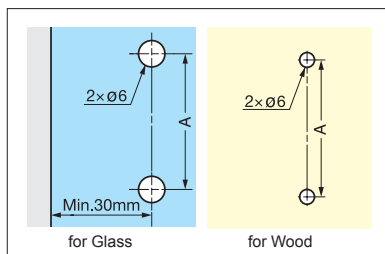
Item No.	Type	Material	Finish/Color	Weight (g)	Box (pcs)
ZL-1504-IS-48	Interior Pull	316 Stainless Steel	Zwei L	432	1
ZL-1504-OS-48	Exterior Pull			462	
ZL-1504-WN-48*	Back-to-Back Pull			989	

\*Back-to-Back type includes 2 knobs, screw set and allen key.

# Zwei L Glass Door Pull

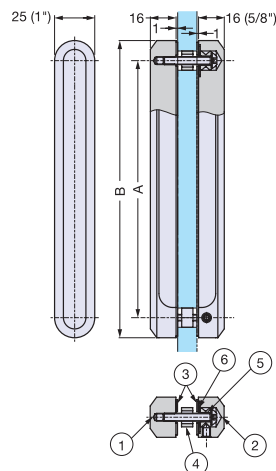


ZL-1505



Cut out dimensions

- Door Thickness (t)
  - Wooden/Metal Frame Door: 40~46 mm (1-9/16"~1-13/16")
  - Glass Door: 8~12 mm (5/16"~1/2")



Item No.	Type	A	B	Weight (g)	Box (pcs)
ZL-1505-IS-160	Interior Pull	160 (6-19/64")	185 (7-9/32")	563	1
ZL-1505-OS-160	Exterior Pull	160 (6-19/64")	185 (7-9/32")	580	
ZL-1505-WN-160*	Back-to-Back Pull	160 (6-19/64")	185 (7-9/32")	1177	

Item No.	Type	A	B	Weight (g)	Box (pcs)
ZL-1505-IS-320	Interior Pull	320 (12-19/32")	345 (13-37/64")	1023	1
ZL-1505-OS-320	Exterior Pull	320 (12-19/32")	345 (13-37/64")	1052	
ZL-1505-WN-320*	Back-to-Back Pull	320 (12-19/32")	345 (13-37/64")	2109	

\*Back-to-Back type includes 2 knobs, screw set and allen key.

No.	Part Name	Material
①	Main Body	316 Stainless Steel
②		316 Stainless Steel
③	Gasket	Elastomer
④	Rubber Ring	Chloroprene Rubber
⑤	Bracket	316 Stainless Steel
⑥	Washer	316 Stainless Steel

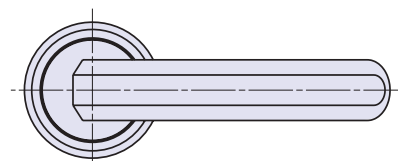
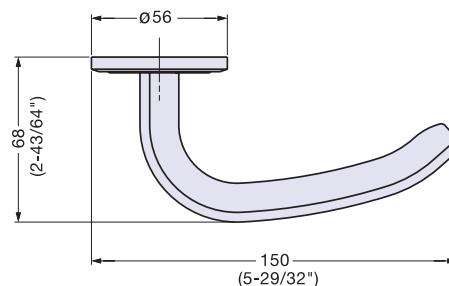
## Zwei L Lever Handle

STAINLESS  
316  
STEEL

ZL-1101



- Non-handed.
- For use with mortise case locks, etc. (Not supplied).



Item No.	Material	Finish/Color	Weight (g)	Box (pcs)
ZL-1101	316 Stainless Steel	Zwei L	1205	1

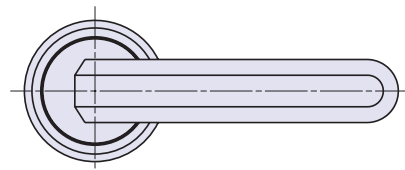
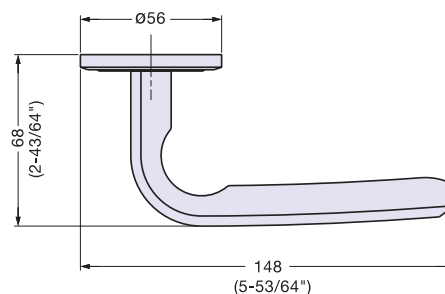
## Zwei L Lever Handle

STAINLESS  
316  
STEEL

ZL-1102



- Non-handed.
- For use with mortise case locks, etc. (Not supplied).



Item No.	Material	Finish/Color	Weight (g)	Box (pcs)
ZL-1102	316 Stainless Steel	Zwei L	1133	1

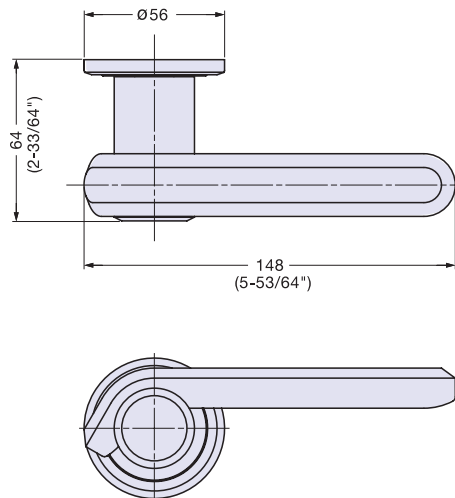
# Zwei L Lever Handle



ZL-1103



- Non-handed.
- For use with mortise case locks, etc. (Not supplied).



Item No.	Material	Finish/Color	Weight (g)	Box (pcs)
ZL-1103	316 Stainless Steel	Zwei L	1751	1

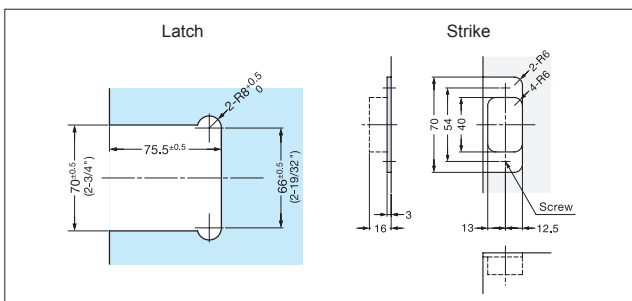
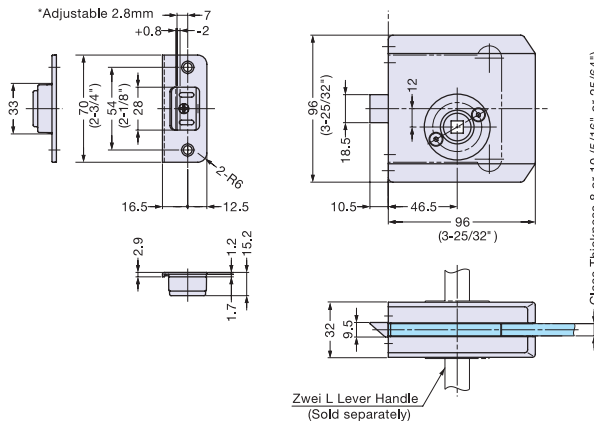
# Zwei L Glass Door Latch



ZL-1601



- Lever handle not included.
- Can be used with ZL-1101, ZL-1102 and ZL-1103 lever handles.
- Includes strike.



ZL-1601-2 is shown.

Cut out Dimensions

Item No.	Material	Finish/Color	Handing	Weight (g)	Box (pcs)
ZL-1601-1	316 Stainless Steel	Zwei L	Right Hand Opening Away/Left Hand Opening Towards	970	1
ZL-1601-2			Left Hand Opening Away/Right Hand Opening Towards		



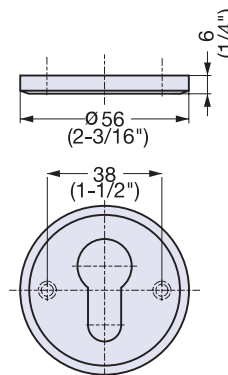
## Zwei L Escutcheon

STAINLESS  
316  
STEEL

## ZL-1202



- Ø56 (Material: 316 Stainless Steel).
- Please use ZL-1403 for thumbturn knob (P.27).



Item No.	Material	Finish/Color	Weight (g)	Box (pcs)
ZL-1202	316 Stainless Steel	Zwei L	150	1

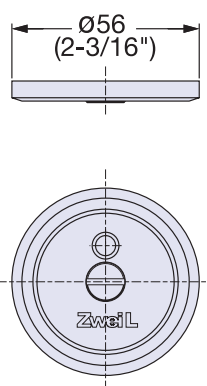
## Zwei L Indicator

STAINLESS  
316  
STEEL

## ZL-1301-INR



- Ø56 (Material: 316 Stainless Steel).



Item No.	Material	Finish/Color	Weight (g)	Box (pcs)
ZL-1301-INR	316 Stainless Steel	Zwei L	194	1

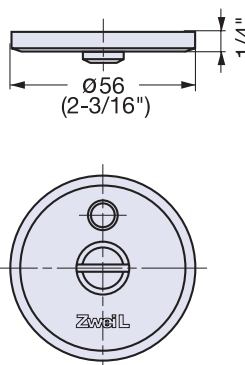
## Zwei L Indicator

STAINLESS  
316  
STEEL

## ZL-1302



- Ø56 (Materials: 316 Stainless Steel).
- For use with ZL-1402 (P.27).



Item No.	Material	Finish/Color	Weight (g)	Box (pcs)
ZL-1302	316 Stainless Steel	Zwei L	135	1

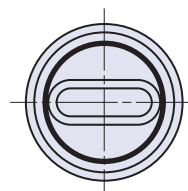
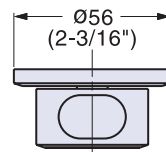
## Zwei L Thumbturn

STAINLESS  
316  
STEEL

ZL-1401-SMR



- Ø56 (Material: 316 Stainless Steel).



Item No.	Material	Finish/Color	Weight (g)	Box (pcs)
ZL-1401-SMR	316 Stainless Steel	Zwei L	305	1

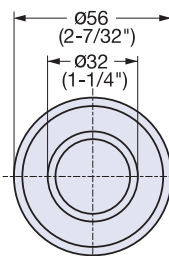
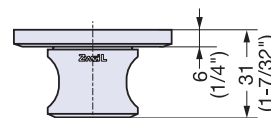
## Zwei L Thumbturn

STAINLESS  
316  
STEEL

ZL-1402



- Ø56 (Material: 316 Stainless Steel).
- For use with ZL-1302 (P.26).
- Please use ZL-1403 for thumbturn knob.



Item No.	Material	Finish/Color	Weight (g)	Box (pcs)
ZL-1402	316 Stainless Steel	Zwei L	251	1

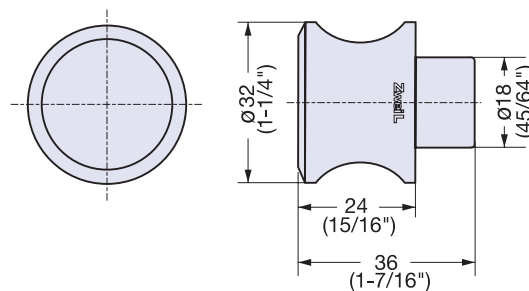
## Zwei L Thumbturn Knob

STAINLESS  
316  
STEEL

ZL-1403



- Ø56 (Material: 316 Stainless Steel).
- For use with profile cylinder, etc. (Not supplied).
- Works with ZL-1202 (P.26).
- Does not work with indicators.



Item No.	Material	Finish/Color	Weight (g)	Box (pcs)
ZL-1403	316 Stainless Steel	Zwei L	198	1