



CABINET HANDLES, PULLS & KNOBS

HANDLES
RECESSED PULLS
TRUNK HANDLES
PULLS
FOLDING RING PULLS
EDGE PULLS
HATCH PULLS
KNOBS
PUSH KNOBS

HANDLES (Back Screw Mount)

Picture	Item No.	Center to Center	Page
	ZL-2001	1-1/4"~10-1/16"	34
	ZL-2002	3-25/32"~12-19/32"	35
	ZL-2301 (HANDLE BASE)	-	35
	16-S SERIES	3-25/32"~23-5/16"	36
	27-S SERIES	3-25/32"~23-5/16"	36
	DIH	3-25/32"~23-5/16"	36
	26-S SERIES	3-25/32"~54-13/16"	37
	28-S SERIES	3-25/32"~54-51/64"	37
	70-S SERIES	3-25/32"~12-19/32"	37
	30-S SERIES	3-25/32"~7-9/16"	38
	DSI-120	3-25/32"~20-5/32"	38
	82-S SERIES	6-19/64"~12-19/32"	39
	MG	5-29/32"~11-13/16"	39
	DL	2-33/64"~5-43/64"	40
	DS	63/64"~3-11/32"	40
	EC	3-5/8"~6-25/32"	40
	FB	3-7/32"~4-23/32"	41
	KB	63/64"~3-11/32"	41
	KS	3"~4"	41
	KC-S	3-1/2"~6"	42
	EK-S	3-1/2"~6"	42
	XL-JS	6-19/64"~13-55/64"	42
	KC-R	3-1/2"~6"	43

Picture	Item No.	Center to Center	Page
	EK-R	3-1/2"~6"	43
	XL-JSR	1-17/64"~5-1/32"	43
	ECH	2-61/64"~11-13/16"	44
	XL-CU	2-27/32"~11-1/2"	44
	XL-CUR	2-3/4"~5-33/64"	44
	40 SERIES	5-3/64"~7-9/16"	45
	KPH	6-19/64"~11-11/32"	45
	DSI-110	3-25/32"~20-5/32"	45
	SWP	3"~3-25/32"	46
	SWF	4"~12"	46
	H-75-BL-100	3-15/16"	46
	H-42-B	1-37/64"~11-11/32"	47
	H-42-C	2-23/64"~11-11/32"	47
	H-42-F14	3-5/32"	47
	H-75-C	2-23/64"~4-23/32"	48
	LF-12	3-25/32"~6-19/64"	48
	HK	3-5/32"~4-23/32"	50

HANDLES (Front Screw Mount)

Picture	Item No.	Center to Center	Page
	FT-R	4-1/4"~5-43/64"	49
	FT-T	3-25/32"~6-59/64"	49
	2LC	2-33/64"~6-19/64"	50

RECESSED PULLS

Picture	Item No.	Center to Center	Page
	3LC	4-9/64"~4-59/64"	51
	4LC	2-33/64"~6-19/64"	51
	MH-P	3-15/16"~5-29/32"	52
	US	2-1/8"~5-33/64"	52
	EC-H	4-17/32"~5-45/64"	52
	FT-110S	4-21/64"	53
	FT-65, 80, 100	2-1/4"~3-15/32"	53
	FT-120, 150	4-11/64"~5-3/16"	53
	EC-Y	4-23/32"~6-11/16"	54
	MJH	3-21/32"~5-29/32"	54
	FT-200, 280	6-57/64"~9-31/32"	55
	KMH	3-15/16"~5-29/32"	55

HANDLES (Back Screw Mount)

Picture	Item No.	Center to Center	Page
	TMH	3-25/32"~7-9/16"	56
	DLB	3-25/32"	56
	LX-110/SN	3-25/32"	56
	KK-H	2-3/4"~4-23/32"	57
	XLA-HA	3-25/32"~12-19/32"	58
	SGH-200	6-7/8"	58
	SAZ	4-1/64"	59
	936 SERIES	2-11/64"~3-61/64"	59
	KAKU-A	3-1/16"~4-7/16"	59

Picture	Item No.	Page
	UTA-105	60
	UT	60
	YK-70	61
	YK-W100	61
	HH-P135	61
	HH-KS	62
	HH-DS	62
	HH-K	62
	HH-D	63
	SP	63
	HH-FB, HH-FC	63
	HH-KL160	64
	HH-KP150	64
	HH-KPR150-SH	64
	HH-AS2	65
	HH-AS3	65
	ES-611	65
	UTZ-130	66
	SD-160	66
	AT-100	67
	AT-70	67
	ATS-100	67
	XLA-HHA	68
	HH-PS99	68
	UP-600	68
	HH-UD	69

RECESSED PULLS

Picture	Item No.		Page
	HH-M		70
	HH-P		70
	ZL-2501		71
	RP		71
	HN		72
	OP-150		72
	3511, 3512 SERIES		73
	3922 SERIES		73

TRUNK HANDLES

Picture	Item No.		Page
	HCT-150		74
	MUD-140		74
	TMU-115		75
	PT-148		75

PULLS

Picture	Item No.		Page
	SN		76
	SND		76
	DSI-350		76
	DSI-360		76.1
	DSI-370		76.1
	DSI-380		76.2
	AG		77

Picture	Item No.		Page
	CN		77
	DR		77
	RD-55/SM, 90/SM		78
	RD		78
	AOT35		79

FOLDING RING PULLS

Picture	Item No.		Page
	3261, 3262 SERIES		79
	26700		80
	26900		80
	26901		80
	980643		81
	980641, 980642		81
	980640		81
	ST-90, 115		82
	ST-80, 100		82
	HR		83
	HR-R		83
	FH-100AK, FH-100BK		84
	FH-100AM, FH-100BM		84

KNOBS

Picture	Item No.		Page
	ZL-1906		85
	ZL-1909		85

Picture	Item No.		Page
	ZL-1901		86
	ZL-1902		86
	ZL-1903		86
	ZL-1904		87
	ZL-1905		87
	ZL-2302		87
	ZL-1907		88
	ZL-2503		88
	DSI-126D		88
	GT-40CR		89
	DG-BT		89
	DG-BT2		89
	EY-127		90
	EY-207		90
	EY-301		90
	EY-320		91
	DSI-209		91
	EY-326		91
	EY-327		91
	EY-338		92
	EY-339		92

Picture	Item No.		Page
	TS		92
	RS-38		93
	RSS		93
	DJ-22		93
	GLA		94
	KK-T		94
	KK-B		94
	MRB		95
	SY		95
	MKZ		95
	TMT		96
	DW-50N		96
	A SERIES		96
	ZL-1908		97
	PK-03		97

ESOR COLLECTION

ER HANDLES, KNOBS AND PULLS
17 STYLES, 4 FINISHES 97.1 - 97.9





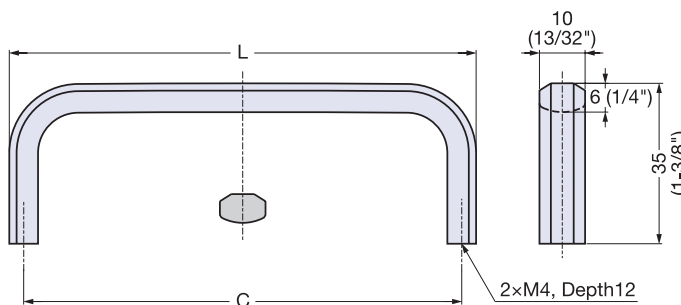
Zwei L Handle



ZL-2001



- Models ZL-2001-32, ZL-2001-64, ZL-2001-96, ZL-2001-128 are RoHs compliant.
- Includes 1-3/16" long stainless steel screws (M4 x 30).



Item No.	Material	Finish/Color	L	C	Weight (g)	Box (pcs)
ZL-2001-32	316 Stainless Steel	Zwei L	38	32 (1-1/4")	34	20
ZL-2001-64			70	64 (2-1/2")	46	12
ZL-2001-96			102	96 (3-25/32")	59	12
ZL-2001-128			134	128 (5-1/32")	72	10
ZL-2001-160			166	160 (6-5/16")	86	10
ZL-2001-192			198	192 (7-9/16")	100	6
ZL-2001-256			262	256 (10-1/16")	125	6

Zwei L Handle



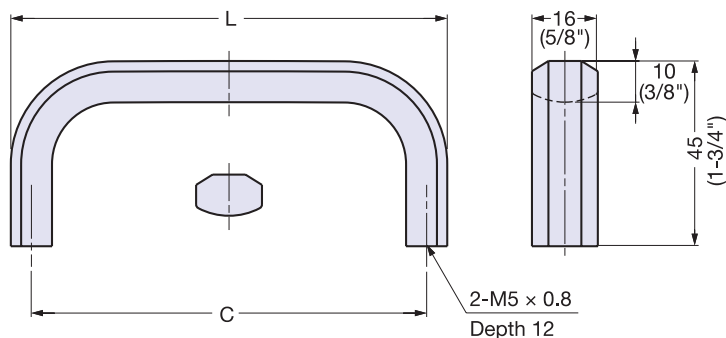
ZL-2002

HANDLES, PULLS & KNOBS

Zwei L HANDLES



• Includes 1-3/16" long stainless steel screws (M5 × 30).

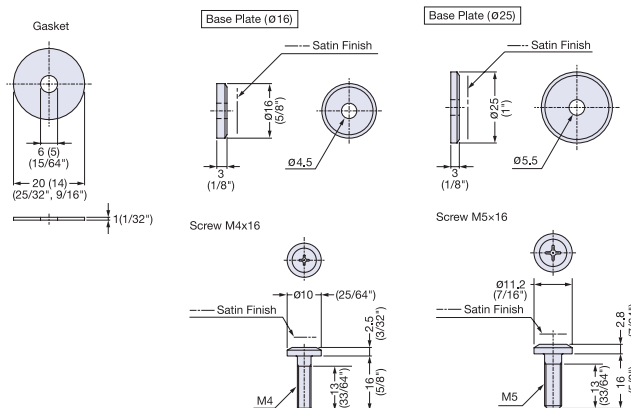


Item No.	Material	Finish/Color	L	C	Weight (g)	Box (pcs)
ZL-2002-96	316 Stainless Steel	Zwei L	106	96 (3-25/32")	165	12
ZL-2002-128			138	128 (5-1/32")	194	12
ZL-2002-160			170	160 (6-10/64")	233	12
ZL-2002-192			202	192 (7-9/16")	265	6
ZL-2002-256			266	256 (10-5/64")	332	6
ZL-2002-320			330	320 (12-19/32")	395	6

Zwei L Handle Base



ZL-2301



Plate/Screw Set for Handle (M4)

Item No.	Part Name	Material	Finish/Color
ZL-2301-2016	Screw (M4 × 16)	Stainless Steel	Zwei L
	Base Plate (ø16)	316 Stainless Steel	Zwei L
	Gasket (ø14)	Elastmoer	Plain

*2 each of screws, base plates, and 4 gaskets included.

Plate/Screw Set for Handle (M4)

Item No.	Part Name	Material	Finish/Color
ZL-2301-2025	Screw (M5 × 16)	Stainless Steel	Zwei L
	Base Plate (ø25)	316 Stainless Steel	Zwei L
	Gasket (ø14)	Elastomer	Plain
	Gasket (ø20)	Elastomer	Plain

*2 pieces each included.

Plate/Screw Set for Handle (ø16)

Item No.	Part Name	Material	Finish/Color
ZL-2302-1916	Screw (M4 × 16)	Stainless Steel	Zwei L
	Base Plate (ø16)	316 Stainless Steel	Zwei L
	Gasket (ø14)	Elastomer	Plain

*2 pieces each included

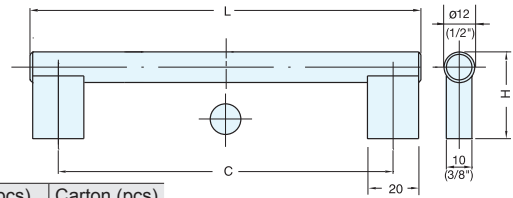
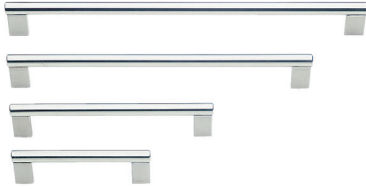
Plate/Screw Set for Handle (ø25)

Item No.	Part Name	Material	Finish/Color
ZL-2302-1925	Screw (M4 × 16)	Stainless Steel	Zwei L
	Base Plate (ø25)	316 Stainless Steel	Zwei L
	Gasket (ø14)	Elastomer	Plain
	Gasket (ø20)	Elastomer	Plain

HANDLE (1/2" BAR PULL)



16 SERIES



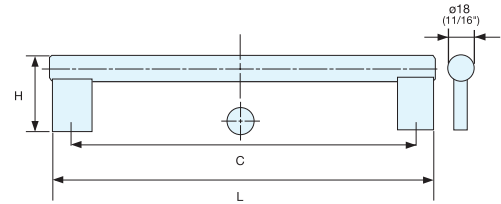
Item No.	L	C	H	Weight (g)	Box (pcs)	Carton (pcs)
1646	118	96 (3-25/32")	34 (1-11/32")	62	25	250
1647	150	128 (5-1/32")		70		
1648	182	160 (6-5/16")		85		
1650	214	192 (7-9/16")		94		
1651	314	292 (11-7/16")		121		
1652	342	320 (12-9/16")		128		
1653	364	342 (13-7/16")		134		
1654	414	392 (15-7/16")		148		
1655	514	492 (19-3/8")		175		
1656	614	592 (23-5/16")		202		

Material	Finish
304 Stainless Steel	Satin

HANDLE (11/16" BAR PULL)



27 SERIES



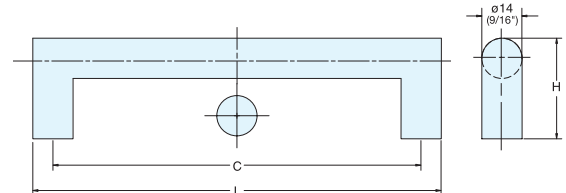
Item No.	L	C	H	Weight (g)	Box (pcs)	Carton (pcs)
27096	128	96 (3-25/32")	44 (1-47/64")	140	15	150
27128	160	128 (5-1/32")		152		
27160	192	160 (6-5/16")		170		
27192	224	192 (7-9/16")		183		
27292	324	292 (11-7/16")		225		
27320	352	320 (12-9/16")		237		
27342	374	342 (13-15/32")		245		
27392	424	392 (15-7/16")		267		
27492	524	492 (19-3/8")		309		
27592	624	592 (23-5/16")		351		

Material	Finish
304 Stainless Steel	Satin

HANDLE (MITERED CORNER)



DIH



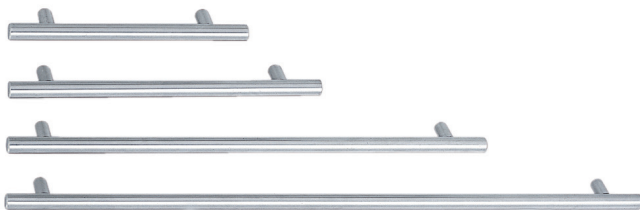
Item No.	L	C	H	Weight (g)	Box (pcs)	Carton (pcs)
DIH-096	110	96 (3-25/32")	35 (1-3/8")	57	25	250
DIH-128	142	128 (5-1/32")		66		
DIH-192	206	192 (7-9/16")		83		
DIH-342	356	342 (13-15/32")		123		
DIH-492	506	492 (19-3/8")		163		
DIH-592	606	592 (23-5/16")		189		

Material	Finish
304 Stainless Steel	Satin

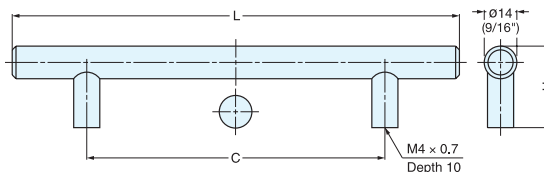
HANDLE (9/16" BAR PULL)



26 SERIES



• Models 2658 and 2659 have a center post.



Item No.	L	C	H	Weight (g)	Box (pcs)	Carton (pcs)
2646	160	96 (3-25/32")	35 (1-3/8")	107	25	250
2647	192	128 (5-1/32")		113		
2650	256	192 (7-9/16")		136		
2653	406	342 (13-15/32")		187		
2655	556	492 (19-3/8")		216		
2656	656	592 (23-5/16")		324		
2658	1220	1156 (45-1/2")		547		
2659	1456	1392 (54-13/16")		570		

Material	Finish
304 Stainless Steel	Satin

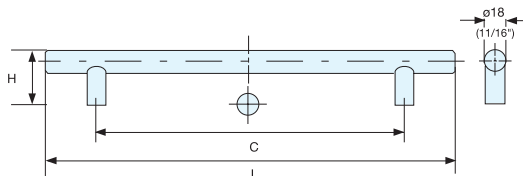
HANDLE (11/16" BAR PULL)



28 SERIES



• Models 281192 and 281392 have a center post.



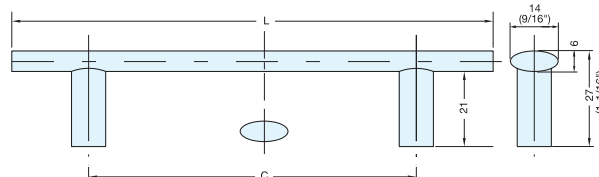
Item No.	L	C	H	Weight (g)	Box (pcs)	Carton (pcs)
28096	160	96 (3-25/32")	47 (1-27/32")	155	15	150
28128	192	128 (5-1/32")		166		
28192	256	192 (7-9/16")		190		
28342	406	342 (13-15/32")		350		
28492	556	492 (19-3/8")		322		
28592	656	592 (23-5/16")		381		
281192	1256	1192 (46-59/64")		627		
281392	1456	1392 (54-51/64")		714		

Material	Finish
304 Stainless Steel	Satin

HANDLE (OVAL BAR PULL)



70 SERIES



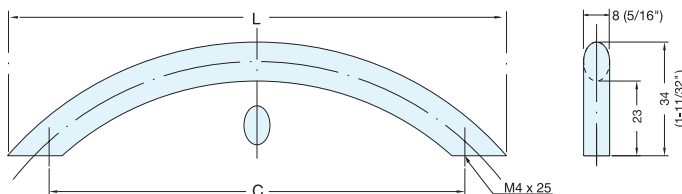
Item No.	L	C	Weight (g)	Box (pcs)	Carton (pcs)
7013	160	96 (3-25/32")	121	25	250
7014	192	128 (5-1/32")	139		
7015	224	160 (6-19/64")	157		
7016	256	192 (7-9/16")	174		
7017	288	224 (8-13/16")	192		
7018	320	256 (10-5/64")	210		
7020	384	320 (12-19/32")	246		

Material	Finish
304 Stainless Steel	Satin

HANDLE



30 SERIES



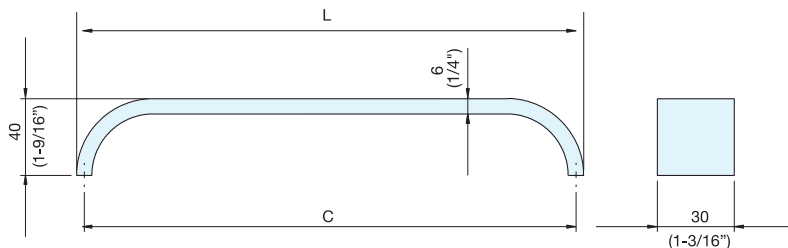
Item No.	L	C	Weight (g)	Box (pcs)	Carton (pcs)
3096	118	96 (3-25/32")	72	25	250
3097	151	128 (5-1/32")	90		
3099	224	192 (7-9/16")	128		

Material	Finish
304 Stainless Steel	Satin

HANDLE



DSI-120



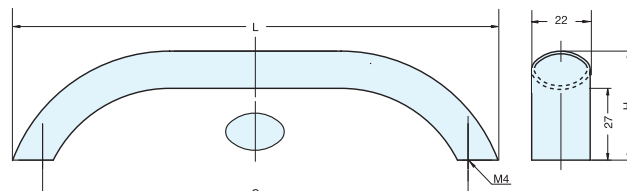
Item No.	L	C	Weight (g)	Box (pcs)	Carton (pcs)
DSI-120-96	102	96 (3-25/32")	186	25	250
DSI-120-128	134	128 (5-1/16")	248		
DSI-120-160	166	160 (6-5/16")	275		
DSI-120-192	196	192 (7-9/16")	375	10	100
DSI-120-320	326	320 (12-19/32")	620		
DSI-120-512	518	512 (20-5/32")	992		

Material	Finish
304 Stainless Steel	Satin

HANDLE



82 SERIES



HANDLES, PULLS & KNOBS

HANDLES

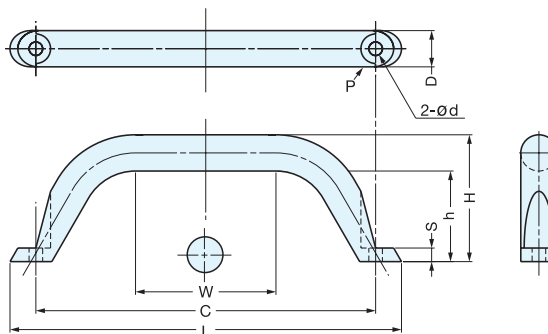
Item No.	L	C	H	Weight (g)	Box (pcs)	Carton (pcs)	Material	Finish
8261	182	160 (6-19/64")	41 (1-39/64")	166	25	250	304 Stainless Steel	Satin
8262	214	192 (7-9/16")		179				
8263	246	224 (8-13/16")		192				
8264	342	320 (12-19/32")		231				

HANDLE



MG

- Ideal for harsh and high corrosive environments.
- Compliant with SEMI S8-0701 guideline.

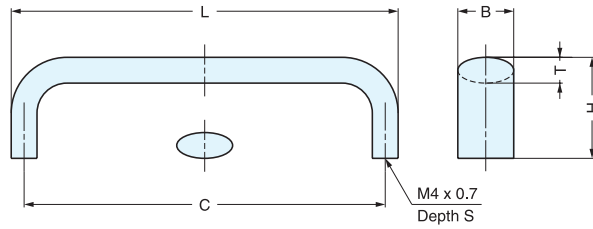


Item No.	D	C	L	P	W	H	h	S	ød	Weight (g)	Box (pcs)	Carton (pcs)	Material	Finish
													316 Stainless Steel	Mirror
MG-150	16	150 (5-29/32")	172.8	R6.5	62	56 (2-13/64")	40	6	6	295	10	40	316 Stainless Steel	Mirror
MG-190	18	190 (7-31/64")	216.7	R7.5	92	63 (2-31/64")	45	8	7	460	5	25		
MG-250		250 (9-27/32")	275.5		145	68 (2-43/64")	50		9	595				
MG-230T	20	230 (9-1/16")	260.0	R9.0	129	70 (2-3/4")	50	10	9	666	5	20	316 Stainless Steel	Mirror
MG-300T		300 (11-13/16")	330.0		199					838				

HANDLE



DL



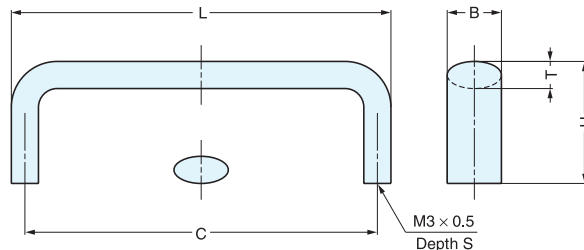
Material	Finish
303 Stainless Steel	Mirror (M) Satin (S)

Item No.		L	C	H	B	T	S	Weight (g)	Box (pcs)	Carton (pcs)
DL-70/M	DL-70/S	70	64 (2-33/64")	23.0 (29/32")	13	6	10	44	20	200
DL-90/M	DL-90/S	90	84 (3-5/16")	23.5 (59/64")				55		
DL-110/M	DL-110/S	110	104 (4-3/32")	24.0 (61/64")				65		
DL-130/M	DL-130/S	130	124 (4-7/8")	24.5 (31/32")				75		
DL-150/M	DL-150/S	150	144 (5-43/64")	25.0 (63/64")				86		

HANDLE



DS



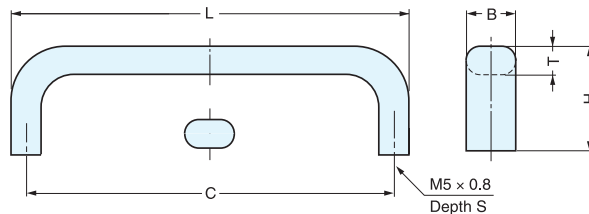
Material	Finish
303 Stainless Steel	Mirror (M) Satin (S)

Item No.		L	C	H	B	T	S	Weight (g)	Box (pcs)	Carton (pcs)
DS-30/M	DS-30/S	30	25 (63/64")	23.0 (29/32")	10	5	8	15	40	400
DS-50/M	DS-50/S	50	45 (1-25/32")	22.0 (7/8")			22			
DS-70/M	DS-70/S	70	65 (2-9/16")	22.5 (57/64")			28	30	300	
DS-90/M	DS-90/S	90	85 (3-11/32")	23.0 (29/32")			35	20	200	

HANDLE



EC



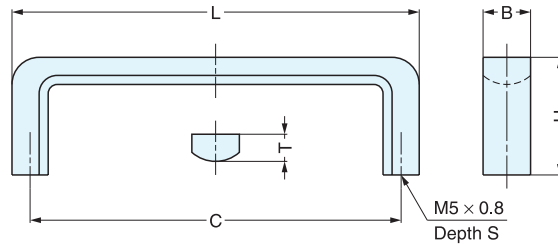
Material	Finish
303 Stainless Steel	Mirror (M) Satin (S)

Item No.		L	C	H	B	T	S	Weight (g)	Box (pcs)	Carton (pcs)
EC-100/M	EC-100/S	100	92 (3-5/8")	32 (1-17/64")	14	8	10	102	15	150
EC-120/M	EC-120/S	120	112 (4-13/32")	34 (1-11/32")			120			
EC-150/M	EC-150/S	150	142 (5-19/32")	36 (1-27/64")			148	10	100	
EC-180/M	EC-180/S	180	172 (6-25/32")	37 (1-29/64")			174			

HANDLE



FB



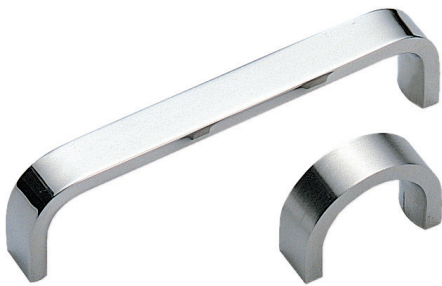
Material	Finish
304 Stainless Steel	Mirror

Item No.	L	C	H	B	T	S	Weight (g)	Box (pcs)	Carton (pcs)
FB-90	90	82 (3-7/32")	26 (1-1/32")	10.5	6	10	45	35	280
FB-110	110	102 (4-1/64")	28 (1-7/64")	12.5	7	12	60	25	200
FB-130	130	120 (4-23/32")	32 (1-17/64")	14.5	8	14	93	20	160

HANDLE

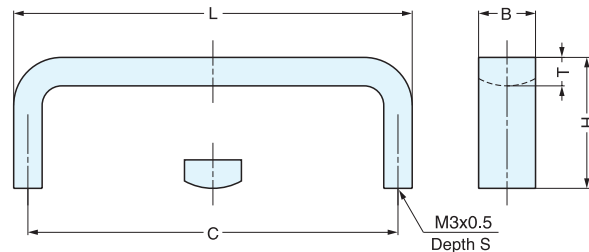


KB



KB-90/M

KB-30/S



Material	Finish
303 Stainless Steel	Mirror (M) Satin (S)

Item No.	L	C	H	B	T	S	Weight (g)	Box (pcs)	Carton (pcs)
KB-30/M	30	25 (63/64")	23 (29/32")	10	5	8	18	40	400
KB-50/M	50	45 (1-25/32")	22 (7/8")			10	26		
KB-70/M	70	65 (2-9/16")	22.5 (57/64")			10	33	30	300
KB-90/M	90	85 (3-11/32")	23 (29/32")			10	40	20	200

HANDLE

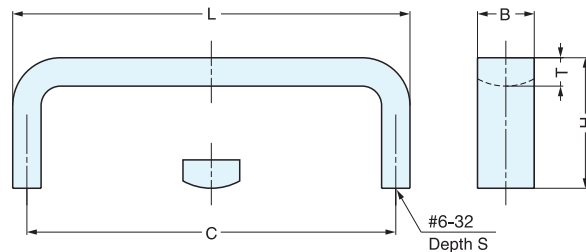


KS



Satin

Mirror



Material	Finish
304 Stainless Steel	Mirror (M) Satin (S)

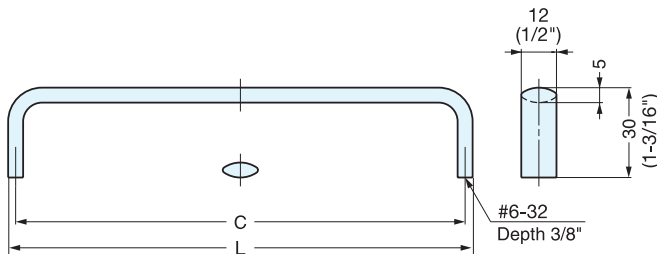
Item No.	L	C	H	B	T	S	Weight (g)	Box (pcs)	Carton (pcs)
KS-430/M	81	76 (3")	23 (29/32")	10	5	9	45	20	200
KS-435/M	94	89 (3-1/2")					48		
KS-440/M	106	102 (4")					54		

HANDLE



KC-S

• Ideal for harsh and high corrosive environments.



Item No.	L	C	Weight (g)	Box (pcs)	Carton (pcs)
KC-S635/M KC-S635/S	93.9 (3-11/16")	88.9 (3-1/2")	67	20	200
KC-S640/M KC-S640/S	106.6 (4-3/16")	101.6 (4")	71		
KC-S650/M KC-S650/S	132.0 (5-3/16")	127.0 (5")	85		
KC-S660/M KC-S660/S	157.4 (6-3/16")	152.4 (6")	95		

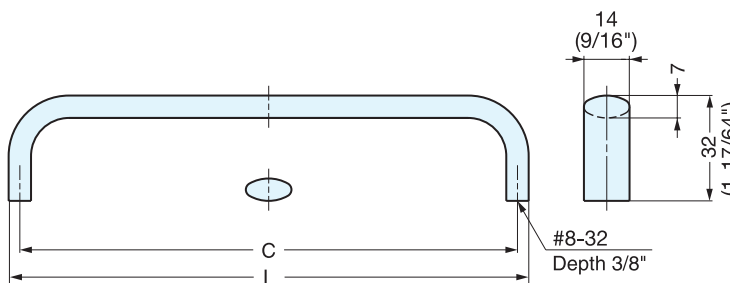
Material	Finish
316 Stainless Steel	Mirror (M) Satin (S)

HANDLE



EK-S

• Ideal for harsh and high corrosive environments.



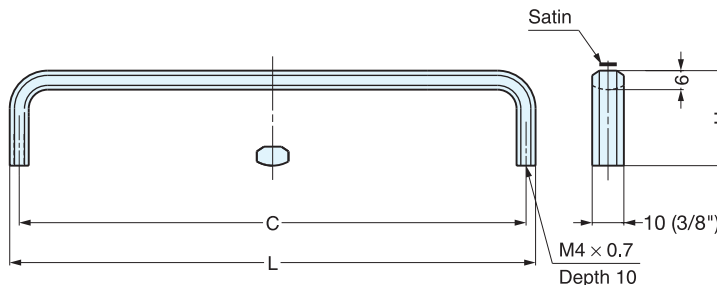
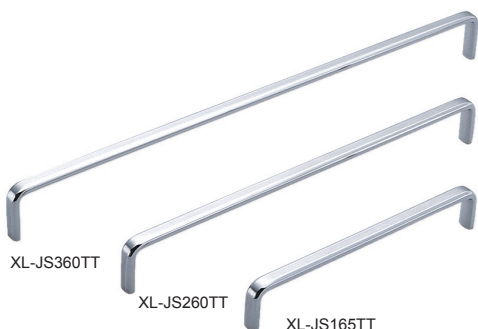
Item No.	L	C	Weight (g)	Box (pcs)	Carton (pcs)
EK-S635/M EK-S635/S	95.9 (3-25/32")	88.9 (3-1/2")	90	20	200
EK-S640/M EK-S640/S	108.6 (4-9/32")	101.6 (4")	91		
EK-S650/M EK-S650/S	134.0 (5-9/32")	127.0 (5")	113		
EK-S660/M EK-S660/S	159.4 (6-9/32")	152.4 (6")	122		

Material	Finish
316 Stainless Steel	Mirror (M) Satin (S)

HANDLE



XL-JS



Item No.	L	C	H	Weight (g)	Box (pcs)	Carton (pcs)
XL-JS165TT	166	160 (6-19/64")	30 (1-3/16")	81	15	150
XL-JS260TT	260	254 (10")	33 (1-19/64")	122	10	100
XL-JS360TT	358	352 (13-55/64")	36 (1-27/64")	166		

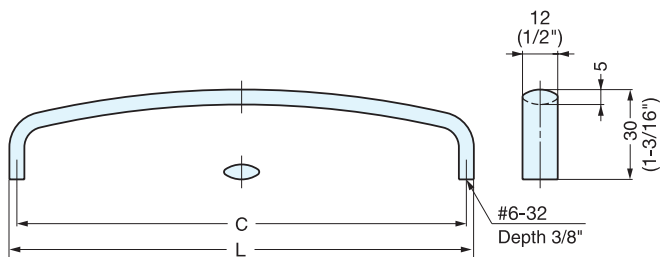
Material	Finish
316 Stainless Steel	Mirror and Satin Combination

HANDLE



KC-R

• Ideal for harsh and high corrosive environments.



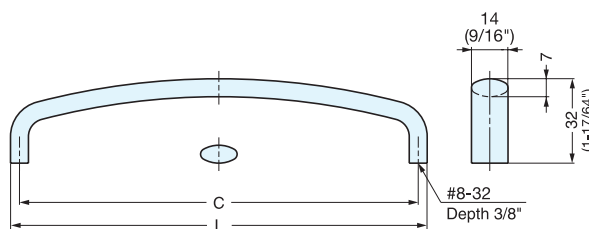
Item No.	L	C	Weight (g)	Box (pcs)	Carton (pcs)
KC-R635/M KC-R635/S	93.9 (3-11/16")	88.9 (3-1/2")	60	20	200
KC-R640/M KC-R640/S	106.6 (4-3/16")	101.6 (4")	67		
KC-R650/M KC-R650/S	132.0 (5-3/16")	127.0 (5")	78		
KC-R660/M KC-R660/S	157.4 (6-3/16")	152.4 (6")	88		

Material	Finish
316 Stainless Steel	Mirror (M) Satin (S)

HANDLE



EK-R



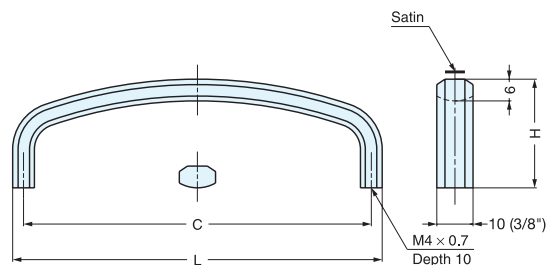
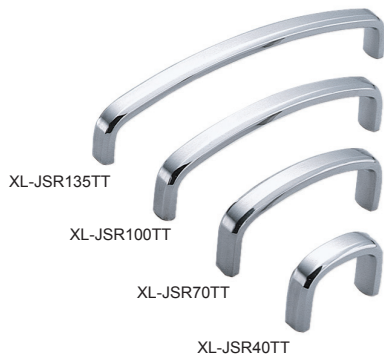
Item No.	L	C	Weight (g)	Box (pcs)	Carton (pcs)
EK-R635/M EK-R635/S	95.9 (3-25/32")	88.9 (3-1/2")	95	20	200
EK-R640/M EK-R640/S	108.6 (4-9/32")	101.6 (4")	109		
EK-R650/M EK-R650/S	134.0 (5-9/32")	127.0 (5")	123		
EK-R660/M EK-R660/S	159.4 (6-9/32")	152.4 (6")	141		

Material	Finish
316 Stainless Steel	Mirror (M) Satin (S)

HANDLE



XL-JSR



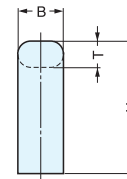
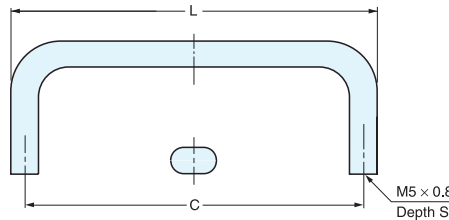
Item No.	L	C	H	Weight (g)	Box (pcs)	Carton (pcs)
XL-JSR40TT	38	32 (1-17/64")	27 (1-1/16")	26	30	300
XL-JSR70TT	70	64 (2-33/64")	30 (1-3/16")	35	20	200
XL-JSR100TT	102	96 (3-25/32")		51		
XL-JSR135TT	134	128 (5-1/32")		63		

Material	Finish
316 Stainless Steel	Mirror and Satin Combination

HANDLE



ECH



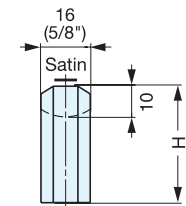
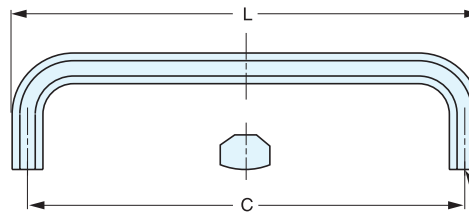
Material	Finish
303 Stainless Steel	Mirror (M) Satin (S)

Item No.	L	C	H	B	T	S	Weight (g)	Box (pcs)	Carton (pcs)	
ECH-75/M	ECH-75/S	83	75 (2-61/64")	40 (1-37/64")	14	8	11	115	10	100
ECH-100/M	ECH-100/S	108	100 (3-15/16")					135	15	150
ECH-125/M	ECH-125/S	133	125 (4-59/64")					153	10	100
ECH-150/M		158	150 (5-29/32")	50 (1-31/32")			190	7	70	
ECH-200/M		208	200 (7-7/8")				244	10	100	
ECH-250/M		258	250 (9-27/32")				280	5	50	
ECH-300/M		308	300 (11-13/16")				306			

HANDLE



XL-CU



M5 x 0.8
Depth 15

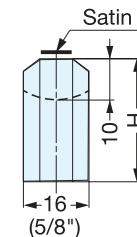
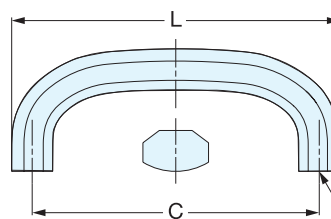
Item No.	L	C	H	Weight (g)	Box (pcs)	Carton (pcs)
XL-CU80TT	82	72 (2-27/32")	32 (1-17/64")	112	10	100
XL-CU100TT	102	92 (3-5/8")	34 (1-11/32")	136		
XL-CU120TT	122	112 (4-13/32")	36 (1-27/64")	163		
XL-CU150TT	152	142 (5-19/32")	38 (1-1/2")	200	8	80
XL-CU180TT	182	172 (6-25/32")	40 (1-37/64")	234		
XL-CU220TT	222	212 (8-11/32")	42 (1-42/64")	282	6	30
XL-CU300TT	302	292 (11-1/2")	44 (1-47/64")	372		

Material	Finish
303 Stainless Steel	Mirror and Satin Combination

HANDLE



XL-CUR



2-M5 x 0.8
Depth 8

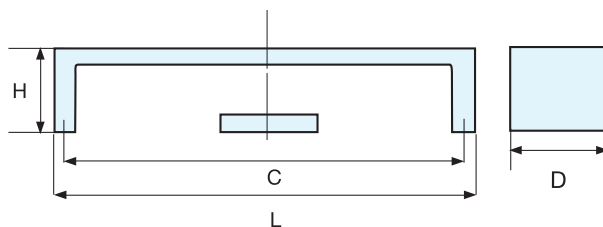
Item No.	L	C	H	Weight (g)	Box (pcs)	Carton (pcs)
XL-CUR80TT	80	70 (2-3/4")	30 (1-3/16")	101	10	150
XL-CUR100TT	100	90 (3-35/64")	32 (1-17/32")	125		
XL-CUR120TT	120	110 (4-21/64")	34 (1-11/32")	150		
XL-CUR150TT	150	140 (5-33/64")	36 (1-27/64")	183	5	75

Material	Finish
303 Stainless Steel	Mirror and Satin Combination

HANDLE



40 SERIES

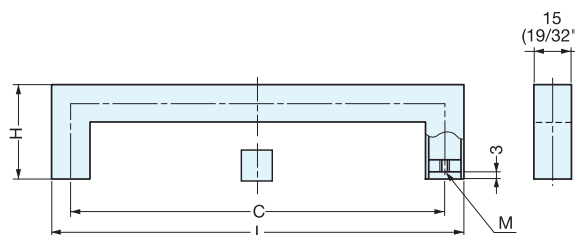
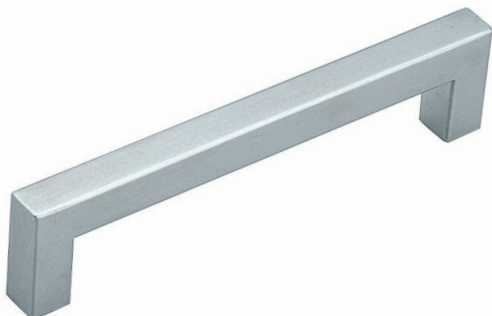


Item No.	L	C	H	D	Weight (g)	Box (pcs)	Carton (pcs)	Material	Finish
40128	138 (5-7/16")	128 (5-3/64")	35	40 (1-37/64")	166	10	40	304 Stainless Steel	Satin
40160	170 (6-11/16")	160 (6-19/64")			198				
40192	202 (7-61/64")	192 (7-9/16")			219				

HANDLE



KPH

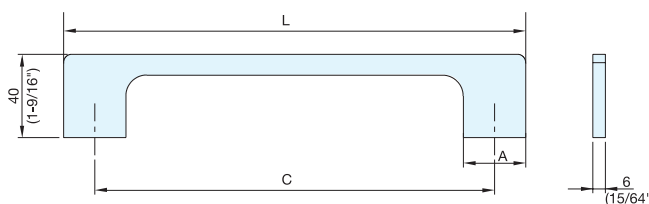


Item No.	L	C	H	M	Weight (g)	Box (pcs)	Carton (pcs)	Material	Finish
KPH-160	176	160 (6-19/64")	40 (1-37/64")	M4 × 0.7	100	10	100	304 Stainless Steel	Satin
KPH-192	208	192 (7-9/16")			115				
KPH-224	240	224 (8-13/16")			130				
KPH-256	272	256 (10-5/64")	50 (1-31/32")	M5 × 0.8	143				
KPH-288	304	288 (11-11/32")			160				

HANDLE



DSI-110



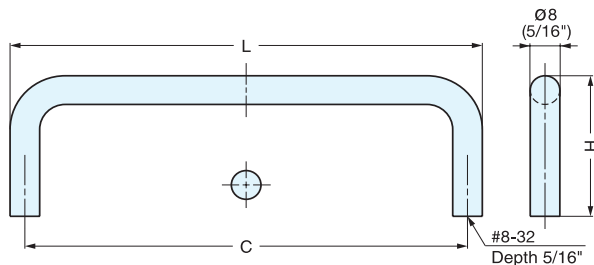
Item No.	C	L	A	Weight (g)	Box (pcs)	Carton (pcs)	Material	Finish
DSI-110- 96	96 (3-25/32")	126 (4-15/16")	30 (1-3/16")	135	25	250	304 Stainless Steel	Satin
DSI-110-128	128 (5-1/16")	158 (6-3/16")		152				
DSI-110-160	160 (6-5/16")	190 (7-1/2")		190				
DSI-110-192	192 (7-9/16")	222 (8-3/4")		230	10	100		
DSI-110-320	320 (12-19/32")	350 (13-13/16")		380				
DSI-110-512	512 (20-5/32")	542 (21-5/16")	610					



WIRE PULL

SWP

• Ideal for harsh and high corrosive environments.



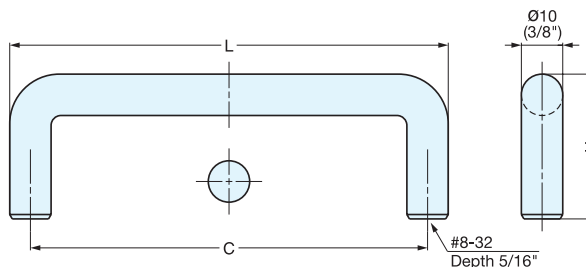
Item No.	L	C	H	Weight (g)	Box (pcs)	Carton (pcs)
SWP-630/S	84.2	76.2 (3")	34 (1-11/32")	71	20	200
SWP-635/S	96.9	88.9 (3-1/2")		78		
SWP-640/S	109.6	101.6 (4")		85		
SWP-696/S	104.0	96.0 (3-25/32")		91		

Material	Finish
316 Stainless Steel	Satin

WIRE PULL

SWF

• Ideal for harsh and high corrosive environments.



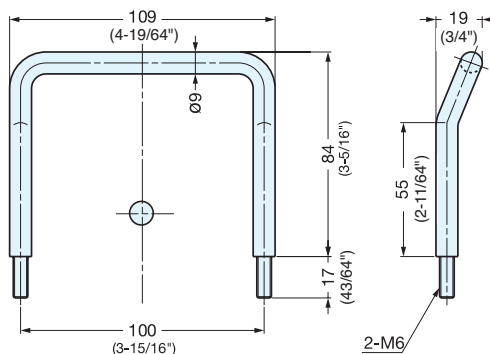
Item No.	L	C	H	Weight (g)	Box (pcs)	Carton (pcs)
SWF-640	111.0	101.5 (4")	35 (1-3/8")	90	20	160
SWF-650	136.5	127.0 (5")		110		160
SWF-660	162.0	152.5 (6")		130		120
SWF-690	238.0	228.5 (9")		200		120
SWF-6120	314.5	305.0 (12")		270		80

Material	Finish
316 Stainless Steel	Satin

OFFSET WIRE PULL

H-75-BL-100

• Fastening nut not included.



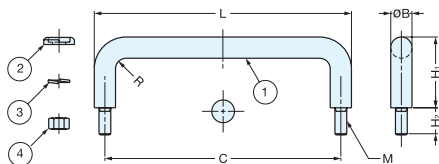
Item No.	Weight (g)	Box (pcs)	Carton (pcs)
H-75-BL-100	130	80	400

Material	Finish
304 Stainless Steel	Mirror

WIRE PULL



H-42-B



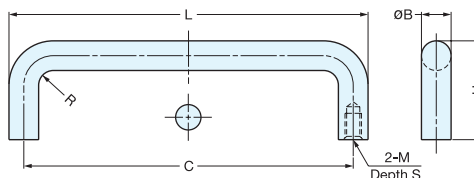
No.	Part Name	Material	Finish
①	Handle	304 Stainless Steel	Mirror
②	Washer		Polished
③	Spring Washer		Plain
④	Nut		

Item No.	L	H ₁	H ₂	B	C	R	M	Weight (g)	Box (pcs)	Carton (pcs)
H-42-B-9	46	22 (55/46")	8.5	6	40 (1-37/64")	-	M4 × 0.70	15	50	500
H-42-B-8	66		7.0		60 (2-23/64")	3.0		20		
H-42-B-14	86		10.0		80 (3-5/32")	27				
H-42-B-1	75	30 (1-3/16")	11.0	7	68 (2-43/64")	3.5	M5 × 0.80	40	50	250
H-42-B-2	109			9	100 (3-15/16")	4.5		80		
H-42-B-3	120	40 (1-37/64")	10	10	110 (4-21/64")	5.0	M6 × 1.00	120	30	150
H-42-B-4	130			120 (4-23/32")	125					
H-42-B-15	162			150 (5-29/32")	235					
H-42-B-5	200	50 (1-31/32")	20.0	12	188 (7-13/32")	6.0	M8 × 1.25	270	20	60
H-42-B-6	250				238 (9-3/8")			320		
H-42-B-7	300				288 (11-11/32")			365		

WIRE PULL



H-42-C



Material	Finish
304 Stainless Steel	Mirror

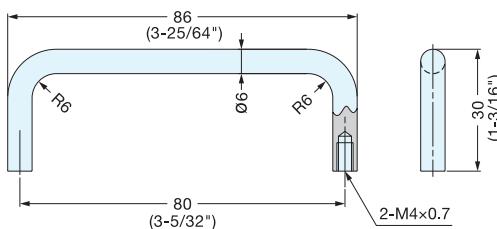
Item No.	L	H	B	C	S	M	R	Weight (g)	Box (pcs)	Carton (pcs)
H-42-C-8	66	22 (55/46")	6	60 (2-23/64")	7	M4 × 0.70	3.0	18	100	500
H-42-C-14	86			80 (3-5/32")				25		
H-42-C-1	75	30 (1-3/16")	7	68 (2-43/64")	8	M5 × 0.80	3.5	30	50	250
H-42-C-2	109		9	100 (3-15/16")			4.5	65		
H-42-C-3	120	40 (1-37/64")	10	110 (4-21/64")	10	M6 × 1.00	5.0	100	30	150
H-42-C-4	130			120 (4-23/32")				105		
H-42-C-15	162			150 (5-29/32")				185		
H-42-C-5	200	50 (1-31/32")	12	188 (7-13/32")	10	M8 × 1.25	6.0	220	20	60
H-42-C-6	250			238 (9-3/8")				265		
H-42-C-7	300			288 (11-11/32")				300		

WIRE PULL



H-42-F14

• Ideal for high corrosive environments.

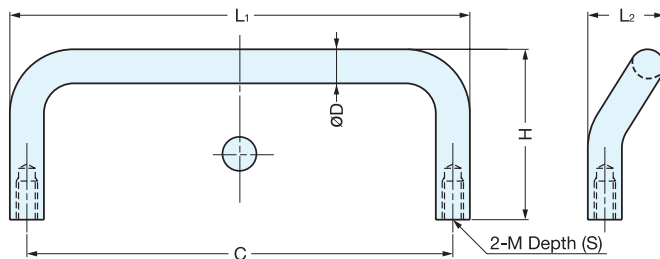


Item No.	Weight (g)	Box (pcs)	Carton (pcs)	Material	Finish
H-42-F14	25	50	250	316 Stainless Steel	Mirror

OFFSET WIRE PULL



H-75-C



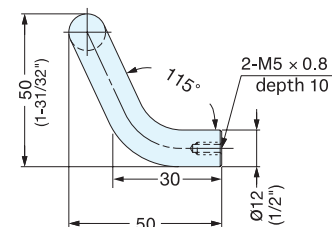
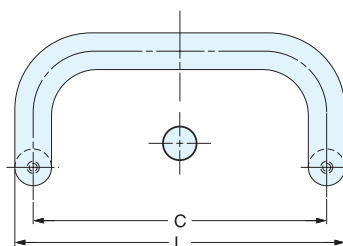
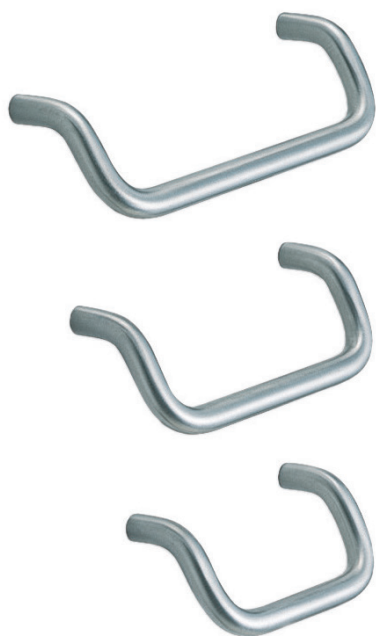
Material	Finish
304 Stainless Steel	Polished

Item No.	L ₁	L ₂	S	H	C	øD	M	Weight (g)	Box (pcs)	Carton (pcs)
H-75-C-66	66	16	7	30.0 (1-3/16")	60 (2-23/64")	6	M4	23	100	400
H-75-C-86	86			31.5 (1-15/64")	80 (3-5/32")			28		
H-75-C-108	108	18	10	32.0 (1-17/64")	100 (3-15/16")	8	M5	54	50	200
H-75-C-128	128			40.0 (1-37/64")	120 (4-23/32")			70		

OFFSET WIRE PULL



LF-12



Item No.	L	C	Weight (g)	Box (pcs)	Carton (pcs)
LF-12-96	108	96 (3-25/32")	182	10	80
LF-12-128	140	128 (5-3/64")	211		60
LF-12-160	172	160 (6-19/64")	236		

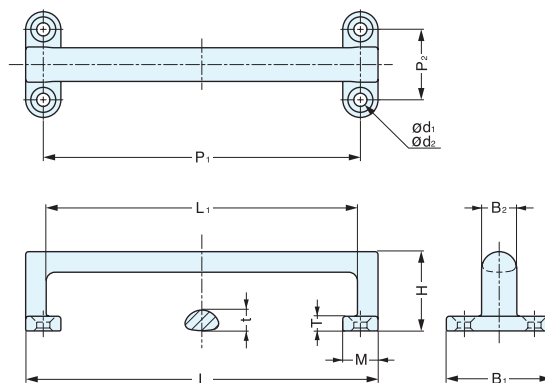
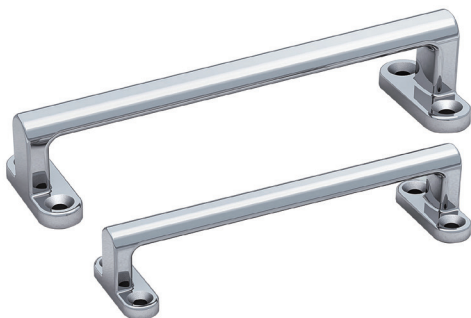
Material	Finish
304 Stainless Steel	Satin

HANDLE



FT-R

- A rounded handle for a comfortable grip.
- Wide grip.



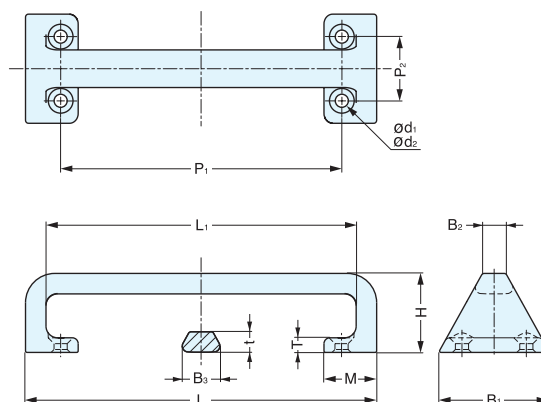
Item No.	L	L ₁	B ₁	B ₂	H	T	t	M	P ₁	P ₂	d ₁	d ₂	Weight (g)	Material	Finish
FT-R-120	120 (4-23/32")	106	36 (15/32")	12	27	5.5	7	12	108 (4-1/4")	24	4.5	8.5	140	304 Stainless Steel	Mirror
FT-R-160	160 (6-19/64")	142	48 (1-57/64")	16	36	7	9	16	144 (5-43/64")	32	5.5	10.5	285	304 Stainless Steel	Mirror

HANDLE



FT-T

- A shape with heavy feeling rounded inside allows for easy gripping.
- Wide grip.



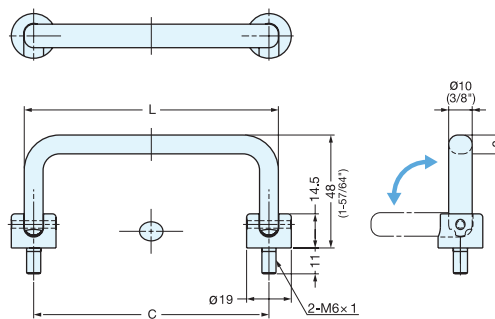
Item No.	L	L ₁	B ₁	B ₂	B ₃	H	T	t	M	P ₁	P ₂	d ₁	d ₂	Weight (g)	Material	Finish
FT-T-120	120 (4-23/32")	105	39.3	10	15	28.5	6	7.0	19.0	96 (3-25/32")	24	4.5	8.5	225	316 Stainless Steel	Mirror
FT-T-170	170 (6-11/16")	150	53.3	12	19	38.0	7.5	10.0	25.5	135 (5-5/16")	32	5.5	10.5	500	316 Stainless Steel	Mirror
FT-T-220	220 (8-21/32")	200	69.3	15	24.3	49.5	9.3	13.0	32.5	176 (6-59/64")	41	6.5	12.5	1000	316 Stainless Steel	Mirror

FOLDING HANDLE



HK

- 90-degree folding handle.
- Handle clicks into open and closed position.



Item No.	C	L	Load Capacity (kg)	Weight (g)	Box (pcs)	Carton (pcs)
HK-80	80 (3-5/32")	88	50 (110 lbs)	125	10	100
HK-100	100 (3-15/16")	108		136		
HK-120	120 (4-23/32")	128		146		

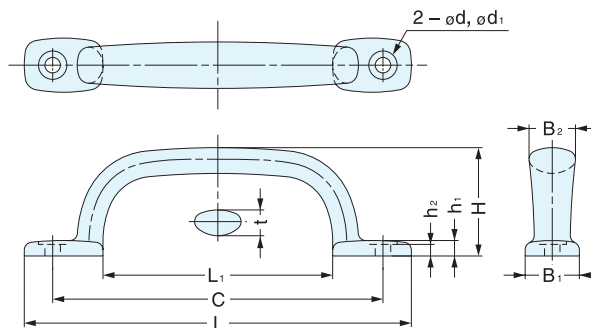
Material	Finish
304 Stainless Steel	Mirror

TRANSOM HANDLE



2LC

- Ideal for harsh and high corrosive environments.



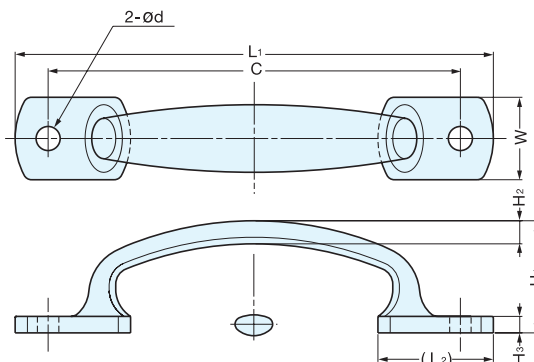
Material	Finish
316 Stainless Steel	Mirror

Item No.	L	L ₁	C	B ₁	B ₂	H	h ₁	h ₂	t	d	d ₁	Weight (g)	Box (pcs)	Carton (pcs)	Screw
2LC-80	80	32	64 (2-33/64")	16	14	35 (1-3/8")	5.5	4.0	8	5	9.5	70	12	144	4 × 20
2LC-120	120	64	96 (3-25/32")	18	16	36 (1-27/64")		4.5	9			106	8	96	
2LC-150	150	89	128 (5-1/32")	21	18	42 (1-42/64")	6.0	10	6	11.0	172	6	72	5 × 32	
2LC-180	180	118	160 (6-19/64")	23	20	45 (1-49/64")	6.5				5.0	225	3		36

TRANSOM HANDLE



3LC



Material	Finish
316 Stainless Steel	Mirror

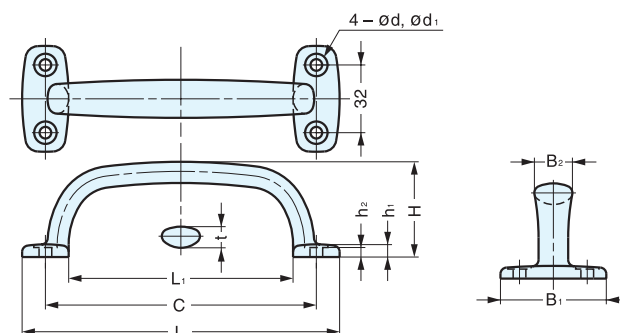
Item No.	L ₁	L ₂	W	H ₁	H ₂	H ₃	C	d	Weight (g)	Box (pcs)	Carton (pcs)
3LC-120	120	29	20	30 (1-3/16")	6	5	105 (4-9/64")	5.5	90	100	500
3LC-130	130	30	22	33 (1-19/64")	7	6	115 (4-17/32")		120		
3LC-145	145	35	25	34 (1-11/32")			125 (4-59/64")		155	80	400

TRANSOM HANDLE



4LC

• Ideal for harsh and high corrosive environments.



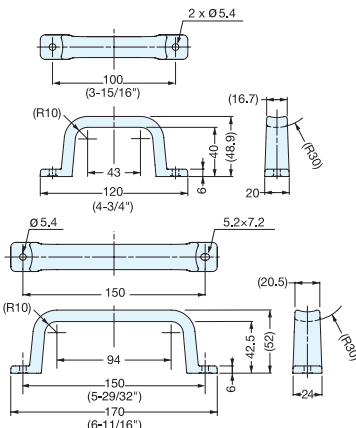
Material	Finish
316 Stainless Steel	Mirror

Item No.	L	L ₁	C	B ₁	B ₂	H	h ₁	h ₂	t	d	d ₁	Weight (g)	Box (pcs)	Carton (pcs)	Screw
4LC-82	82	46	64 (2-33/64")	48	16	36.5 (1-7/16")	5.5	4.0	8	5	9.5	110	8	96	4 × 20
4LC-114	114	78	96 (3-25/32")			40.0 (1-37/64")						148	6	72	
4LC-150	150	106	128 (5-1/32")	50	18	45.0 (1-49/64")	6.0	4.5	10	6	11.0	210	3	36	5 × 32
4LC-180	180	140	160 (6-19/64")			48.0 (1-57/64")						270	2	24	

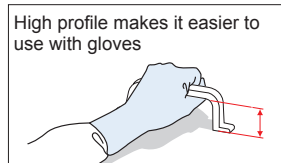
HANDLE



MH-P



- Made with PVC material:
 - Ideal for semiconductor, manufacturing machinery and transparent applications.
 - Weather proof, chemical proof
- High profile allows for handle to be easily grasped with gloved hands.
- Environmentally friendly PVC, lead-free.
- Compliant with SEMI S8-0308 guideline.
- Requires two 3/16" (5 mm) diameter screws for installation. Screws not included.



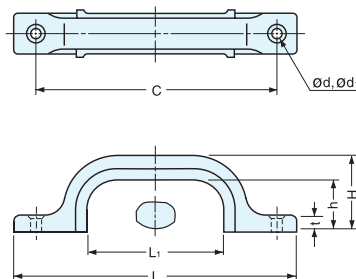
Item No.	Weight (g)	Box (pcs)	Carton
MH-P120	34	64	640
MH-P170	56	48	480

Material	Finish
Polyvinyl Chloride (PVC)	Clear

HANDLE



US



- Rubber grip allows for an easy and comfortable grip.
- Lightweight design.

Material	Finish
304 Stainless Steel	Mirror (M) Satin (S)

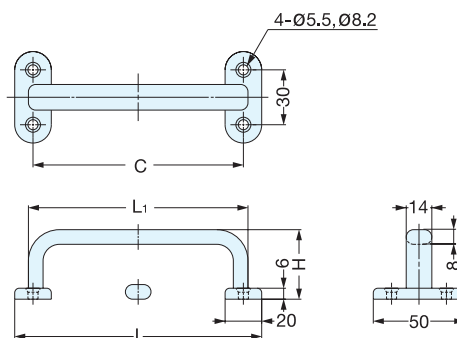
* Grip - Black/Synthetic Rubber

Item No.	L	L1	C	B	H	h	t	d	d1	Weight (g)	Box (pcs)	Carton (pcs)	Screw	
US-70/M	US-70/S	70	20	54 (2-1/8")	17	28.0 (1-7/64")	21	5.5	3.3	6.6	20	20	200	3.1 x 16
US-120/M	US-120/S	120	57	102 (4-1/64")	19	32.0 (1-17/64")		6.5	3.8	7.6	45			3.5 x 20
US-160/M	US-160/S	160	88	140 (5-33/64")	22	37.5 (1-15/32")	23	7.5	4.1	8.1	70	10	100	4.1 x 25

HANDLE



EC-H



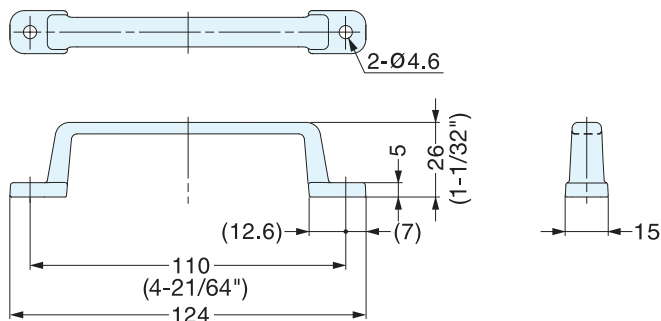
Material	Finish
303 Stainless Steel	Mirror

Item No.	L	L1	C	H	Weight (g)	Box (pcs)	Carton (pcs)	Screw
EC-H-135	135	120	115 (4-17/32")	40 (1-37/64")	191	5	50	3.1 x 16
EC-H-165	165	150	145 (5-45/64")	42 (1-21/32")	216	3	30	3.5 x 20

HANDLE



FT-110S

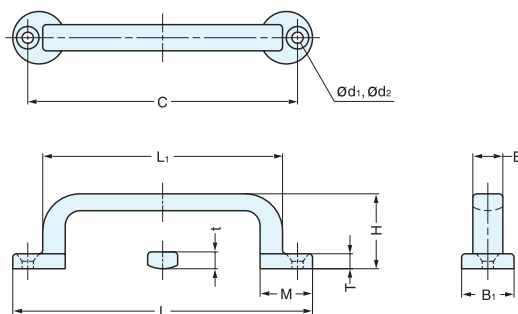


Item No.	Weight (g)	Box (pcs)	Carton (pcs)	Material	Finish
FT-110S	60	50	200	304 Stainless Steel	Satin

HANDLE



FT-65, 80, 100



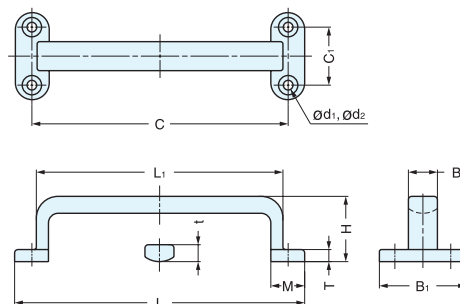
Material	Finish
304 Stainless Steel	Mirror

Item No.	L	L ₁	C	B ₁	B ₂	H	T	t	M	d ₁	d ₂	Weight (g)	Box (pcs)	Carton (pcs)	Screw
FT-65	65	47	57 (2-1/4")	13	7	16 (5/8")	3.5	4.0	13	3.3	6.4	19	40	480	3.1 × 16
FT-80	80	61	72 (2-27/32")	14	8	20 (25/32")	4.0	4.5	14		6.4	32	30	360	
FT-100	100	75	88 (3-15/32")	18	10	25 (63/64")	5.0	5.5	18	4.1	8.0	58	20	240	

HANDLE



FT-120, 150



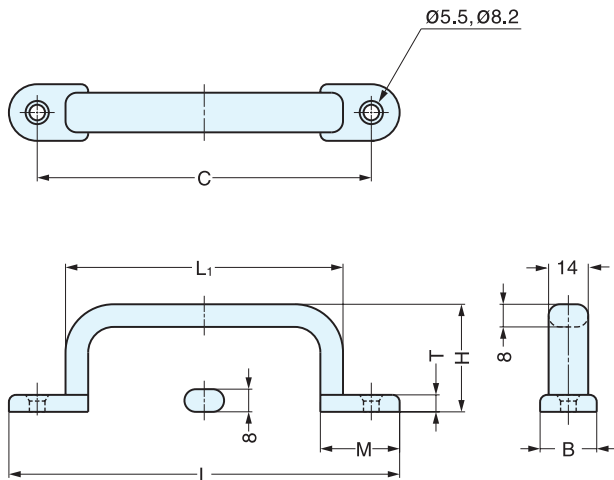
Material	Finish
304 Stainless Steel	Mirror

Item No.	L	L ₁	C	C ₁	B ₁	B ₂	H	T	t	M	d ₁	d ₂	Weight (g)	Box (pcs)	Carton (pcs)	Screw
FT-120	120	102	106 (4-11/64")	24	36	12	27 (1-1/16")	5	7	14	4.1	8.0	105	10	120	3.8 × 20
FT-150	150	126	132 (5-3/16")	30	45	15	33 (1-19/64")	6	8	18	5.3	10.4	191	5	40	5.1 × 25

HANDLE



EC-Y



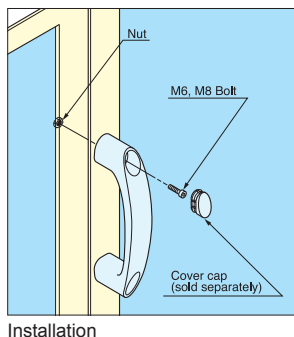
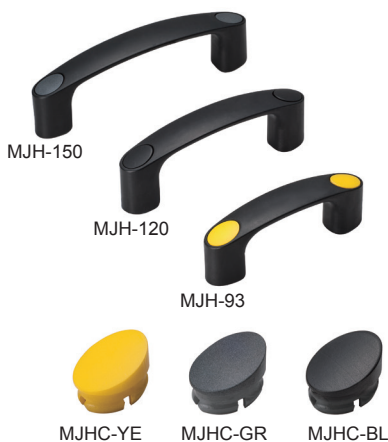
Material	Finish
303 Stainless Steel	Mirror

Item No.	L	L1	C	B	H	T	M	Weight (g)	Box (pcs)	Carton (pcs)
EC-Y-140	138	100 (3-15/16")	120 (4-23/32")	20	38 (1-1/2")	6	28	142	5	50
EC-Y-160	158	120 (4-23/32")	140 (5-33/64")		40 (1-37/64")			160	3	30
EC-Y-190	188	150 (5-29/32")	170 (6-11/16")		42 (1-42/64")			185	2	20

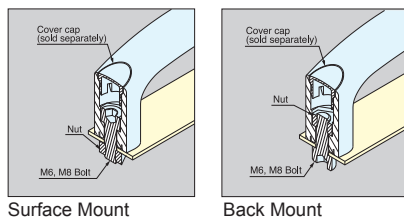
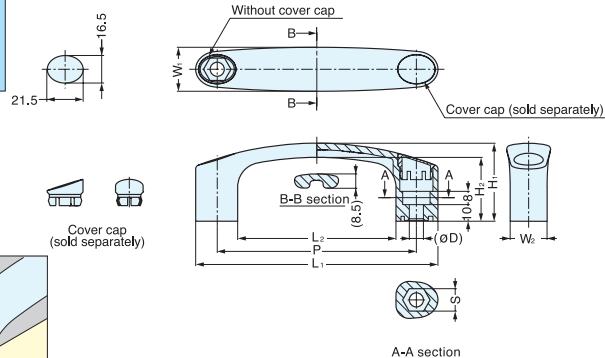
HANDLE



MJH



- Handle can be installed from both front and back.
- Cap hides screw heads for clean appearance (option).
- 3 colors available.
- Rounded inside allows for easy gripping.
- Caps are tightly fixed to prevent from falling off.
- Possible to customise cap color from 3,000 pcs.
- MJH-150 is compliant with SEMI standard (SEMI S8-0308).



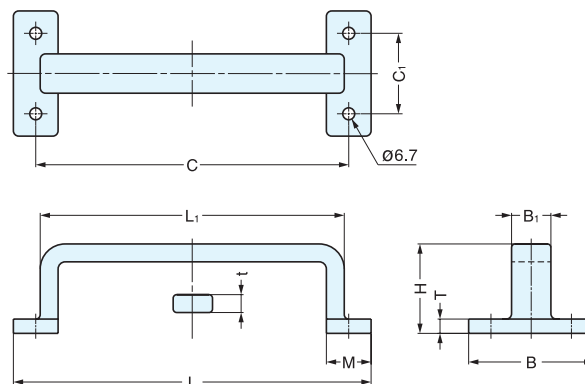
Item No.	Material	Color	Weight (g)
MJHC- BL	Polyamide	Black	1.4
MJHC- GR		Gray	
MJHC- YE		Yellow	

Item No.	Load Capacity (kgf)	Material	Finish	P	L1	L2	D	S	H1	H2	W1	W2	Weight (g)
MJH-93	46 (101lbs)	Polyamide	Black	93 (3-21/32")	119 (4-11/16")	67	6.5	10.2	42 (1-21/32")	33.5	25.0	21.3	162
MJH-120				120 (4-23/32")	146 (5-3/4")	94	8.5	13.2	47 (1-27/32")	38.5	26.5	22.4	180
MJH-150				150 (5-29/32")	176 (6-59/64")	124	8.5	13.2	52 (2-3/64")	43.5	28.0	22.5	206

LARGE TRANSOM HANDLE



FT-200, 280



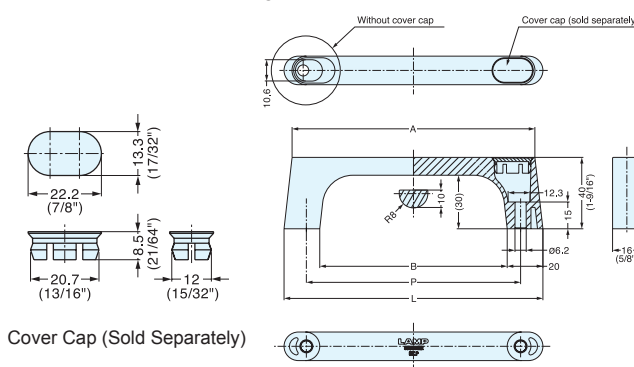
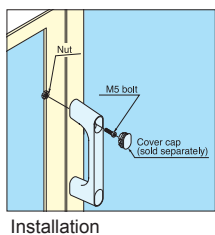
Material	Finish
316 Stainless Steel	Mirror

Item No.	L	L ₁	C	C ₁	B ₁	B	H	T	t	M	Weight (g)	Box (pcs)	Carton (pcs)
FT-200	200	170	175 (6-57/64")	45	22	70	50 (1-31/32")	8	10	25	586	1	20
FT-280	280	250	253 (9-31/32")	55	26	80	62 (2-7/16")	10	12	27	1088	1	10

HANDLE



KMH



■ COVER CAP

Item No.	Material	Finish	Weight (g)
KMHC-WT	PBT	White	0.7
KMHC-GR		Grey	
KMHC-BU		Light Blue	
KMHC-BL		Black	

■ HANDLE

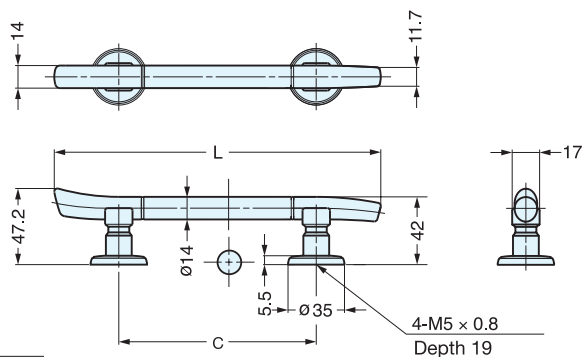
Item No.	Load Capacity (kgf)	Material	Finish	L	A	B	P	Weight (g)
KMH-100	51 (112 lbs)	Zinc Alloy	Satin Chrome	125 (4-59/64")	116	85	100 (3-15/16")	162
KMH-120				145 (5-45/64")	136	105	120 (4-23/32")	180
KMH-150				175 (6-57/64")	166	135	150 (5-29/32")	206

HANDLE (GOLD PLATED)



TMH

• Base plate TMH-M35 available (sold separately).



• BASE PLATE

Item No.	Material	Finish	Weight (g)	Box (pcs)	Carton (pcs)
TMH-M35	Brass	24K Gold Plating	28	2	20

• HANDLE

Item No.	L	C	Weight (g)	Box (pcs)	Carton (pcs)
TMH-96	176 (6-59/64")	96 (3-25/32")	259	1	10
TMH-128	208 (8-3/16")	128 (5-1/32")	280		
TMH-160	240 (9-29/64")	160 (6-5/16")	301		
TMH-192	272 (10-45/64")	192 (7-9/16")	320		

Material	Finish
Brass	24K Gold Plating (Body), Black Nickel (Ring)

HANDLE

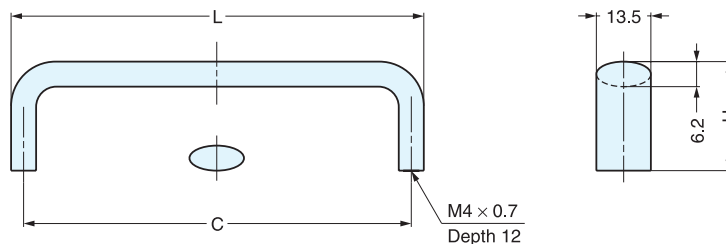


DLB



CR

PB



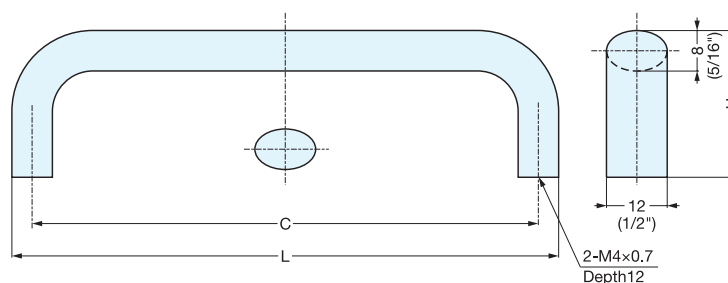
Item No.	L	C	H	Weight (g)	Box (pcs)	Carton (pcs)	Material	Finish
DLB-96/CR	102.2	96 (3-25/32")	27 (1-1/16")	78.5	20	200	Brass	Chrome (CR)
DLB-96/PB								Polished Brass (PB)

HANDLE



KK-H

• Silver ion coated on all finishes except black.

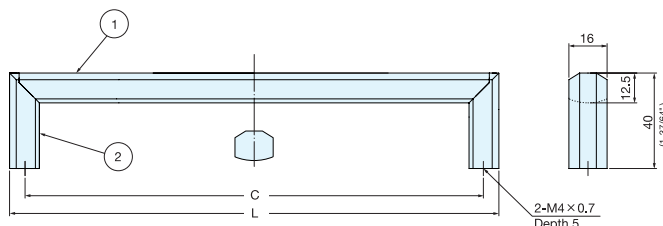


Item No.	Material	Finish/Color	L	C	H	Weight (g)	Box (pcs)	Carton (pcs)
KK-H80SNI	Aluminum Alloy	Nickel + Silver Ion Coating	78 (3-1/16")	70 (2-3/4")	28 (1-3/32")	20	25	200
KK-H80SSG		Satin Gold + Silver Ion Coating						
KK-H80SBR		Brown + Silver Ion Coating						
KK-H80BL		Black						
KK-H110SNI		Nickel + Silver Ion Coating	108 (4-1/4")	100 (3-15/16")	29 (1-9/64")	25		
KK-H110SSG		Satin Gold + Silver Ion Coating						
KK-H110SBR		Brown + v						
KK-H110BL		Black						
KK-H130SNI		Nickel + Silver Ion Coating	128 (5-1/32")	120 (4-23/32")	30 (1-3/16")	30		
KK-H130SSG		Satin Gold + Silver Ion Coating						
KK-H130SBR		Brown + Silver Ion Coating						
KK-H130BL		Black						

HANDLE



XLA-HA



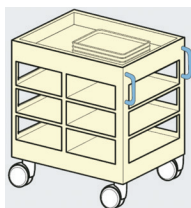
Item No.	L	C	Weight (g)	Box (pcs)	Carton (pcs)
XLA-HA96	109	96 (3-25/32")	132	20	80
XLA-HA128	141	128 (5-1/32")	142		
XLA-HA192	205	192 (7-9/16")	144		
XLA-HA256	269	256 (10-5/64")	180	10	60
XLA-HA320	333	320 (12-19/32")	200		

No.	Part Name	Material	Finish
①	Bar	Aluminum Alloy	Anodized
②	Post	Zinc Alloy	Matte Silver

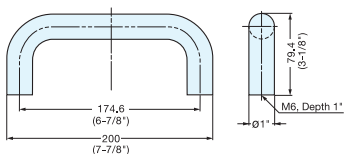
HANDLE



SGH-200



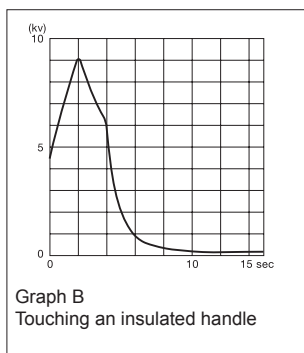
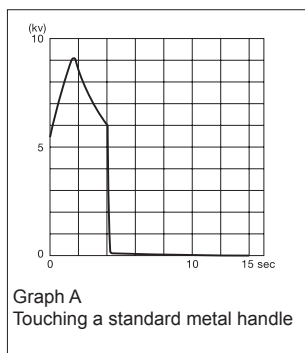
- SGH-200 is a specially insulated handle designed to reduce shock from static electricity build-up as well as inhibit bacterial transfer.
- Textured, soft handle improves grip in manufacturing environments where lubricants are used, improving conditions when slippage is a safety concern.
- Un-obtrusive light blue color.
- Suitable for use in environments -22°F to 176°F (-30°C to 80°C).
- For use in medical, pharmaceutical, and electronic equipment; for use in educational, institutional, and industrial facilities where limiting transfer of static electricity or bacteria is important to operations.



Note: Details provided for this hardware's properties/specifications are for general information only. Grounding is required to discharge electricity, and shock reduction is effective only when installed on electrically conductive surfaces. Safety of a final product or equipment is not guaranteed when used as a component. This hardware is designed to reduce-not completely eliminate-shock from static electricity. Sensitivity to shock may vary.

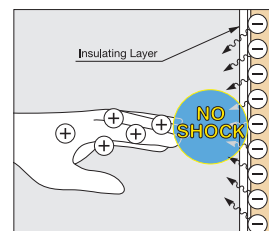
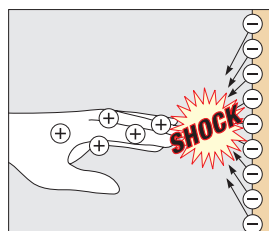
Properties of Special Elastomer Coating

Pathway of Electrical Discharge



The y-axis represents the natural voltage of the human body (in kiloVolts), and the x-axis represents elapsed time (in seconds). Contact with the hardware occurs at the 4 second mark.

There is an instantaneous discharge to 0kV in Graph A, compared to a delayed discharge to 1kV over 2 seconds in Graph B. This would result in a stronger electric discharge and shock for a metal handle (Graph A) compared to the SGH-200 (Graph B).



In the figures above, a human hand with a positive charge is approaching a conductive surface with a negative charge (e.g., metal). The figure on the right incorporates a layer to insulate the discharge.

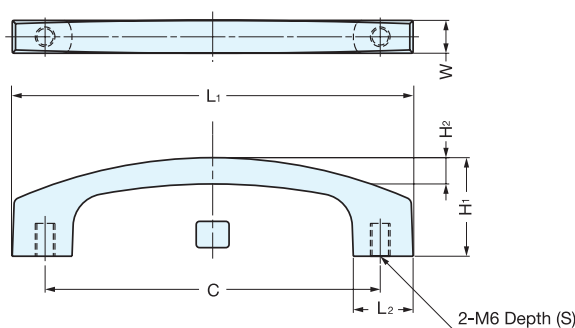
Direct physical contact with a conductive surface (metal, etc.) may result in a discharge of static electricity, causing discomfort. The insulating coating of the SGH-200 acts as a buffer to reduce the rate of discharge and lessen the resulting shock (depicted above). The elastomer used for insulation incorporates a resin specially formulated for a specific conductivity.

Item No.	Color	Material	Weight (g)	Box (pcs)	Carton (pcs)
SGH-200	Light Blue	Base Material: Polyamide; Coating: Special Elastomer	250	20	200

HANDLE



SAZ

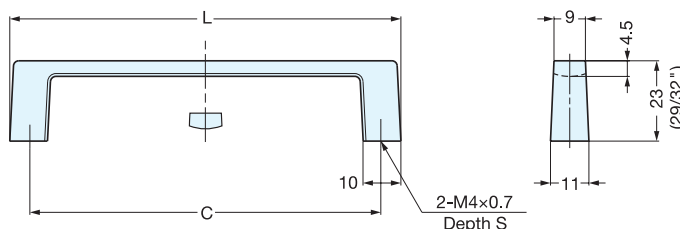


Item No.	L ₁	L ₂	C	S	W	H ₁	H ₂	Weight (g)	Box (pcs)	Carton (pcs)	Material	Finish
SAZ-121	121	17	102 (4-1/64")	9	10	27.7 (1-3/32")	5.2	85	40	400	Zinc Alloy	Chrome

HANDLE



936 SERIES

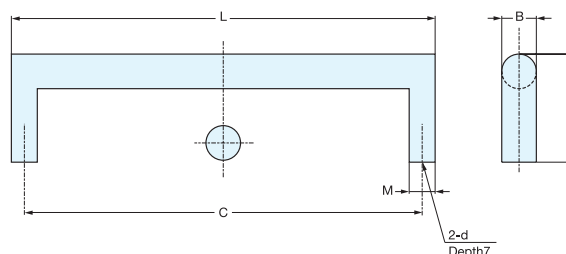


Item No.	L	C	S	Weight (g)	Box (pcs)	Carton (pcs)	Screw	Material	Finish
936-55-SCR	66.5	55.0 (2-11/64")	8	40	50	200	M4 x 25	Zinc Alloy	Satin Chrome (SCR)
936-100-DC	112.0	100.5 (3-61/64")	10	52			M4 x 28		Dull Chrome (DC)

HANDLE



KAKU-A



Item No.	L	H	B	C	M	D	Weight (g)	Box (pcs)	Carton (pcs)	Material	Finish
KAKU-A161	84 (3-5/16")	24	7	78 (3-1/16")	7	M3	46	35	420	Brass	Dull Chrome
KAKU-A160	99 (3-15/16")	25	8	92 (3-5/8")	8	M4	58	30	360		
KAKU-A159	124 (4-7/8")	29	9	113 (4-7/16")	11	M4	103	20	240		

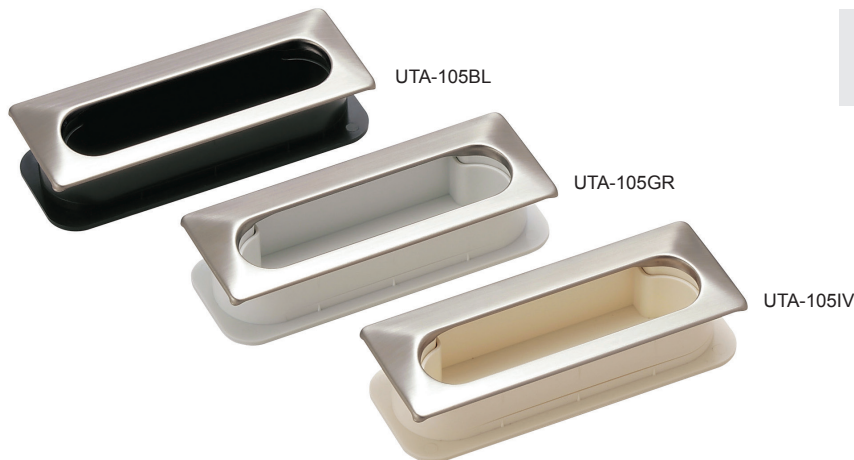
RECESSED PULL (W/VENTILATOR)



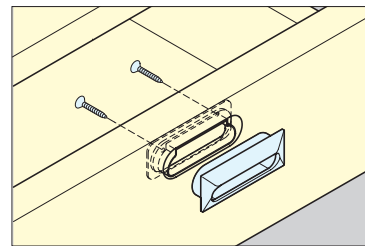
UTA-105

HANDLES, PULLS & KNOBS

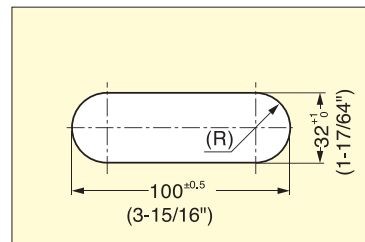
RECESSED PULLS (W/VENTILATOR)



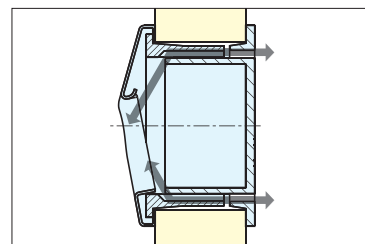
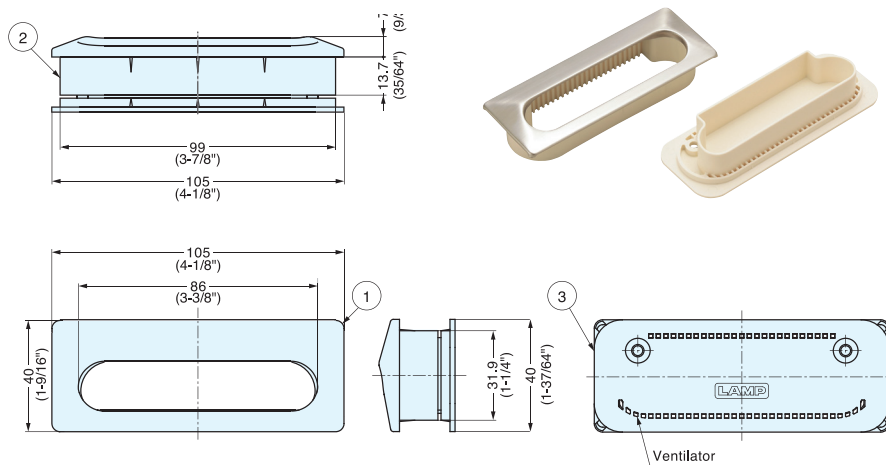
- Easy to grip.
- Ventilating area is invisible from the front.
- Excellent chemical resistance.



Installation



Panel Cut Out Dimensions



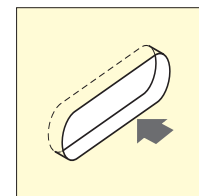
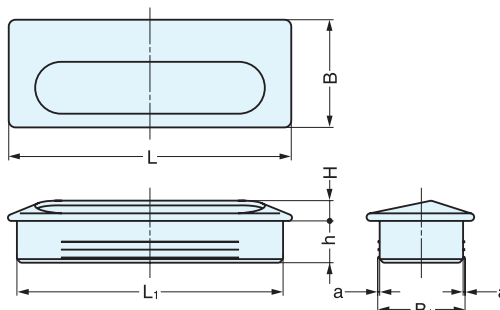
Air Circulation

Item No.	Panel Thickness	Weight (g)	Box (pcs)	Carton (pcs)	No.	Material	Finish
UTA-105BL	18~25mm (11/16\"~1")	40	15	150	①	304 Stainless Steel	Satin
UTA-105GR					②	ABS	Black (BL)/Grey (GR)/Ivory (IV)
UTA-105IV					③		

RECESSED PULL



UT



Installation

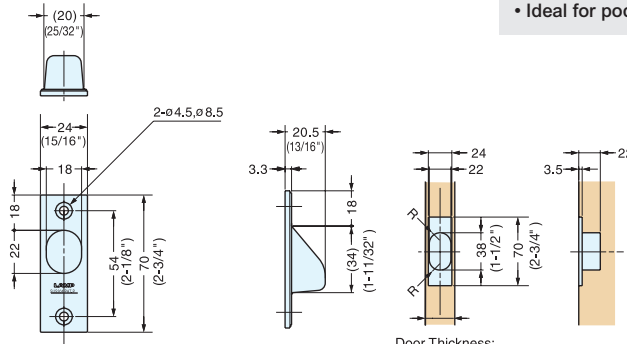
Item No.	L	L ₁	H	h	B	B ₁	a	Weight (g)	Box (pcs)	Carton (pcs)
UT- 75/S	75 (2-61/64")	71	7.0	15.5	36	30.8	0.4	15	40	400
UT-105/S	105 (4-1/8")	99	7.5	15.5	40	32.5	0.5	30	25	250
UT-140/S	140 (5-33/64")	134	7.5	15.5	47	40.5	0.5	45	15	150

Material	Finish/Color
304 Stainless Steel	Satin (S)
Plastic	Black

RECESSED PULL



YK-70



• Ideal for pocket door application.

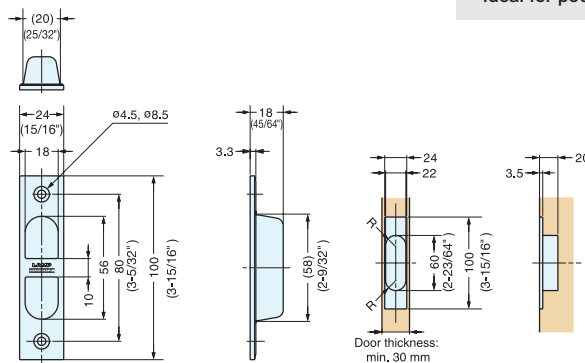
Door Thickness: min. 30 mm

Item No.	Weight (g)	Box (pcs)	Carton (pcs)	Material	Finish
YK-70	37	20	200	304 Stainless Steel	Satin

RECESSED PULL



YK-W100



• Ideal for pocket door application.

Door thickness: min. 30 mm

Item No.	Weight (g)	Box (pcs)	Carton (pcs)	Material	Finish
YK-W100	45	20	160	304 Stainless Steel	Satin

RECESSED PULL (W/DOOR STOPPER)



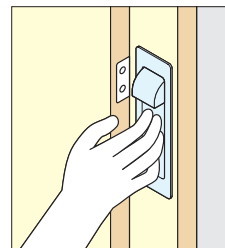
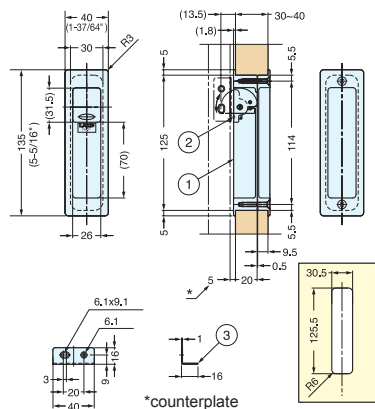
HH-P135



HH-P135/CR



HH-P135/DC



Bore Dimensions

- Door stopper can be flipped-out to prevent door from entering pocket and pinching fingers.
- Door stopper can be flipped-in to completely open the door.
- Applicable door thickness: 30~40 mm (1-3/16"~1-9/16")
- Can be used on door thickness up to 50 mm (1-31/32") by using longer M4 screws. (Not supplied.)
- Also available in Satin Nickel (SN) finish.

*In case of using counterplate, change the gap (marked *) to 7 mm (9/32") to prevent the stopper and plate from hitting or scratching.

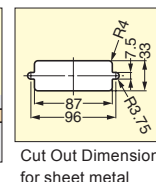
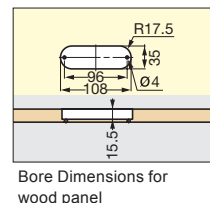
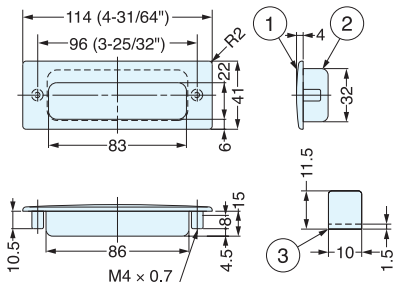
Item No.	Door Thickness (mm)	Weight (g)	Box (pcs)	Carton (pcs)
HH-P135/CR	30~40	290	5	50
HH-P135/DC				

No.	Material	Finish/Color
①	Zinc Alloy	Chrome (CR), Dull Chrome (DC)
②	Polyurethane	-
③	Steel	Chrome (CR), Dull Chrome (DC)

RECESSED PULL

NSF COMPONENT | RoHS COMPLIANT | STAINLESS 316 STEEL | M4x8 M4x15 STAINLESS | HH-KS

• All-stainless steel model ideal for harsh and high corrosive environments.



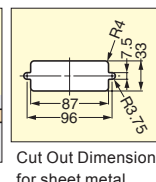
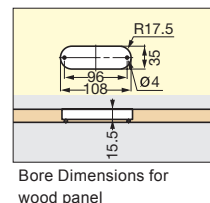
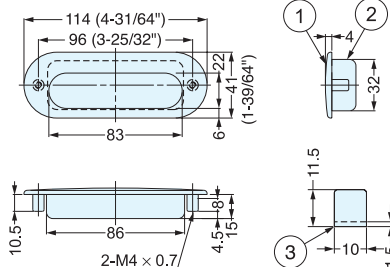
Item No.	Finish	Weight (g)	Box (pcs)	Carton (pcs)
HH-KS114M	Mirror	110	10	60
HH-KS114S	Satin			

No.	Part Name	Material	Finish
①	Face Plate	316 Stainless Steel	Mirror/Satin
②	Case	304 Stainless Steel	Satin
③	Spacer		-

RECESSED PULL

NSF COMPONENT | RoHS COMPLIANT | STAINLESS 316 STEEL | M4x8 M4x15 STAINLESS | HH-DS

• All-stainless steel model ideal for harsh and high corrosive environments.

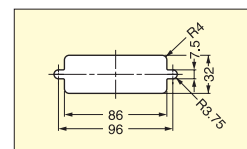
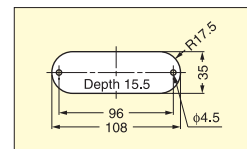
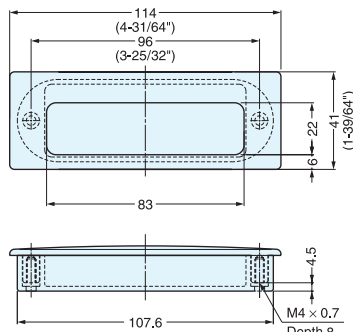


Item No.	Finish	Weight (g)	Box (pcs)	Carton (pcs)
HH-DS114M	Mirror	105	10	60
HH-DS114S	Satin			

No.	Part Name	Material	Finish
①	Face Plate	316 Stainless Steel	Mirror/Satin
②	Case	304 Stainless Steel	Satin
③	Spacer		-

RECESSED PULL

NSF COMPONENT | RoHS COMPLIANT | STAINLESS 316 STEEL | M4x10 M4x15 STAINLESS | HH-K



Cut Out Dimensions for sheet metal. Put sheet metal between front and back part for sheet metal applications. (Max. sheet metal thickness: 2 mm)

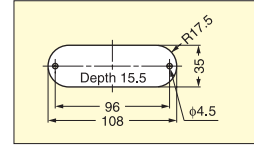
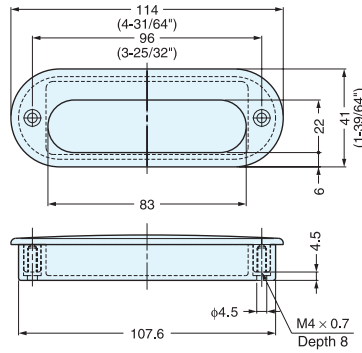
Item No.	Weight (g)	Box (pcs)	Carton (pcs)
HH-K	90	10	60

Material	Finish/Color
316 Stainless Steel	Mirror
ABS	Black

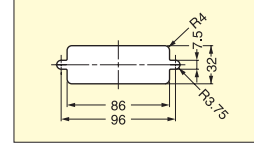
RECESSED PULL



HH-D



Bore Dimensions for wood panel.



Cut Out Dimensions for sheet metal. Put sheet metal between front and back part for sheet metal applications. (Max. sheet metal thickness: 2 mm)

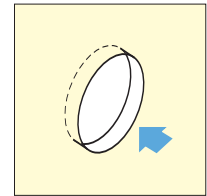
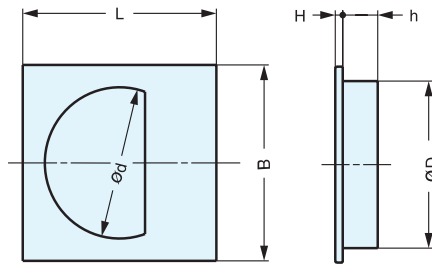
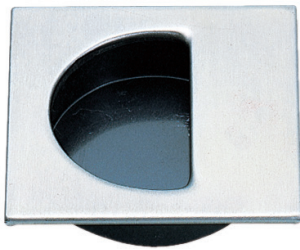
Item No.	Weight (g)	Box (pcs)	Carton (pcs)
HH-D	85	10	60

Material	Finish/Color
316 Stainless Steel	Mirror
ABS	Black

RECESSED PULL



SP



Installation

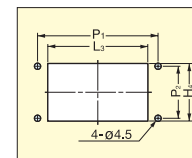
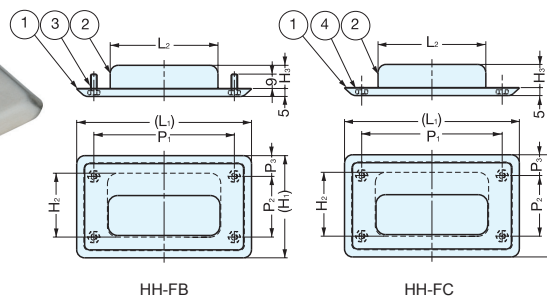
Material	Finish/Color
304 Stainless Steel	Satin (S)
Brass (SP-35/PB only)	Polished Brass (SP-35/PB)
Plastic	Black

Item No.	L	B	H	h	D	d	Weight (g)	Box (pcs)	Carton (pcs)
SP-35/S	44 (1-47/64")	44 (1-47/64")	2.2	9.8 (25/64")	35.1	31	10	100	1000
SP-38/S	47 (1-27/32")	47 (1-27/32")		10.3 (13/32")	37.6	34	11	60	1440
SP-48/S	57 (2-1/4")	57 (2-1/4")		48.6	44	16	50	1200	
SP-35/PB	44 (1-47/64")	44 (1-47/64")		9.8 (25/64")	35.1	31	10	100	1000

RECESSED PULL



HH-FB, HH-FC



Cut Out Dimensions

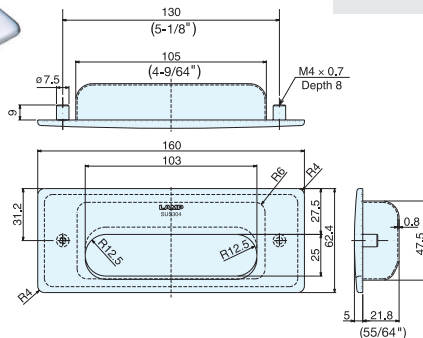
No.	Part Name	Material	Finish
①	Front Plate	304 Stainless Steel	Mirror (M)
②	Back Cover		Satin (S)
③	M4 Stud		
④	M4 Nut		

Item No.	Stud/Nut	(L ₁)	L ₂	L ₃	(H ₁)	H ₂	H ₃	H ₄	P ₁	P ₂	(P ₃)	Weight (g)
HH-FB-1/M	HH-FB-1/S	M4 Stud	138.0	96.0	99	88	62	21.0	110	65	11.5	170
HH-FC-1/M	HH-FC-1/S	M4 Nut										
HH-FB-2/M	HH-FB-2/S	M4 Stud	109.5	67.5	73	64	40	14.5	88	38	13.0	100
HH-FC-2/M	HH-FC-2/S	M4 Nut										
HH-FB-3/M	HH-FB-3/S	M4 Stud	94.0	61.0	63	60	43	12.0	76	32	14.5	80
HH-FC-3/M	HH-FC-3/S	M4 Nut										

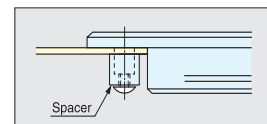
RECESSED PULL



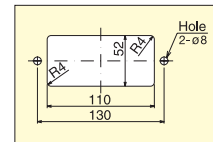
HH-KL160



- Ideal for harsh and high corrosive environments.
- Compliant with SEMI S8-0600 guideline.
- Spacer for sheet metal application sold separately.



(Optional : BSP-8)
Sheet metal mounting application



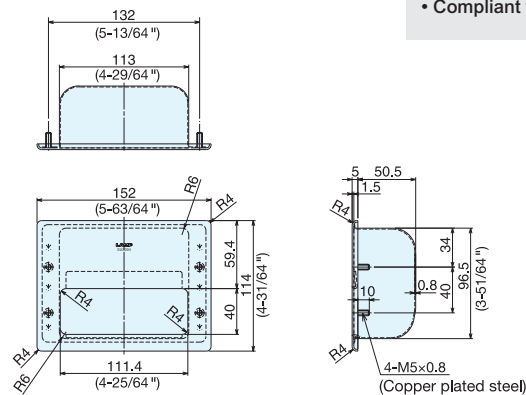
Cut Out Dimensions

Item No. HH-KL160	Weight (g) 260	Box (pcs) 8	Carton (pcs) 48	Material 304 Stainless Steel	Finish Satin
----------------------	-------------------	----------------	--------------------	---------------------------------	-----------------

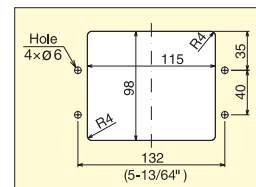
RECESSED PULL



HH-KP150



- Compliant with SEMI S8-0600 guideline.



Cut Out Dimensions

Item No. HH-KP150	Weight (g) 390	Box (pcs) 5	Carton (pcs) 50	Material 304 Stainless Steel	Finish Satin
----------------------	-------------------	----------------	--------------------	---------------------------------	-----------------

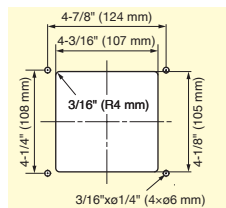
RECESSED PULL



HH-KPR150-SH

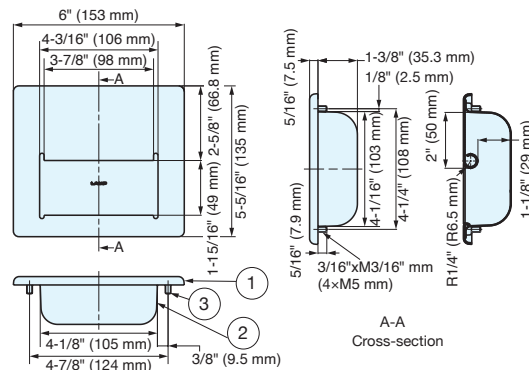
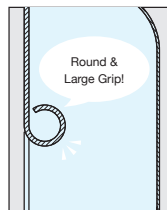


Cut Out Dimensions



- Compliant with SEMI standard. (SEMI S8-0218 section 6.8)
- Rounded large grip prevents injury to hand.
- Ideal for semiconductor and manufacturing equipment.
- The bolts are designed to swing for easy installation.

Easy to Hold



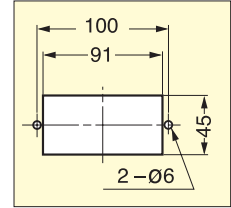
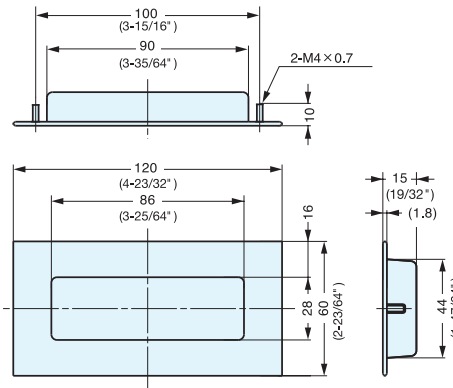
Item No. HH-KPR150-SH	Load Capacity 90.4 lbs (41 kg)	Weight (g) 390
--------------------------	-----------------------------------	-------------------

No.	Part Name	Material	Finish
①	Plate	304 Stainless Steel	Satin
②	Cup		
③	Hexagon Head Bolt M5×10	Stainless Steel	Plain

RECESSED PULL



HH-AS2



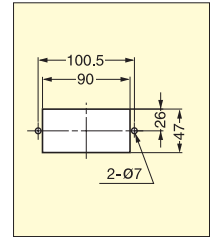
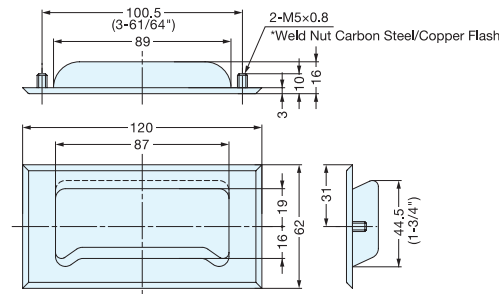
Cut Out Dimensions

Item No. HH-AS2	Weight (g) 50	Box (pcs) 12	Carton (pcs) 240	Material 304 Stainless Steel	Finish Satin
--------------------	------------------	-----------------	---------------------	---------------------------------	-----------------

RECESSED PULL



HH-AS3



Cut Out Dimensions

Item No. HH-AS3	Weight (g) 50	Box (pcs) 12	Carton (pcs) 240	Material 304 Stainless Steel	Finish Satin
--------------------	------------------	-----------------	---------------------	---------------------------------	-----------------

RECESSED PULL



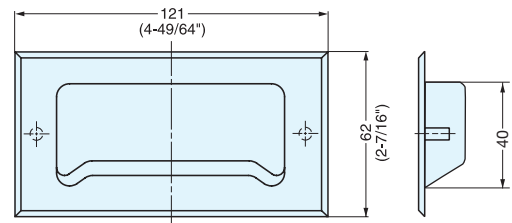
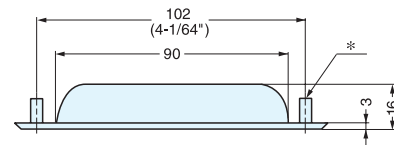
ES-611



ET
(Weld Studs Carbon Steel / Copper Flash)
* ES-611/ET:
Weld Studs Carbon Steel / Copper Flash
M5 x 0.8 Length 10

IT
(M4 Weld Nuts Carbon Steel / Copper Flash
with M4 x 25 Steel screws)
* ES-611/IT:
Weld Nuts Carbon Steel / Copper Flash
M4 x 0.7 Depth 6

WO
(Weld-on)

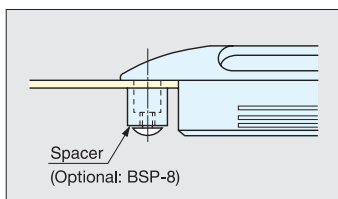
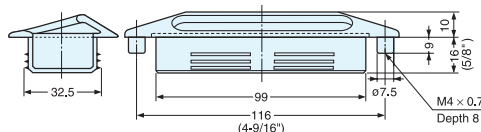
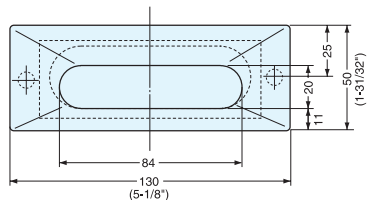


Item No.	Weight (g)	Box (pcs)	Carton (pcs)	Material	Finish
ES-611/ET	68	20	200	304 Stainless Steel	Satin
ES-611/IT	60				
ES-611/WO					

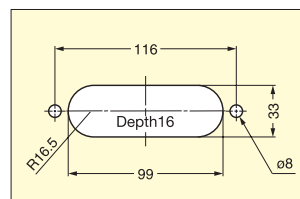
RECESSED PULL



UTZ-130



Sheet metal mounting application



Bore Dimensions

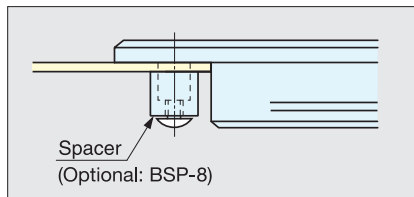
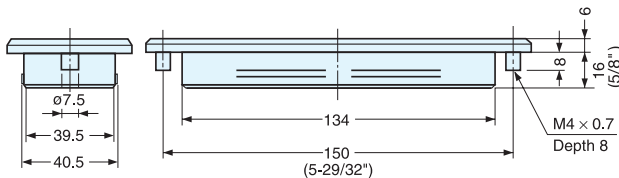
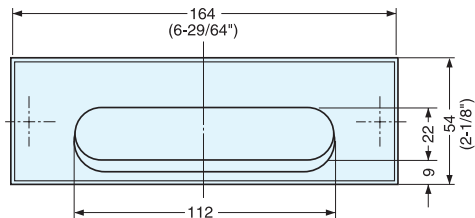
Item No.	Weight (g)	Box (pcs)	Carton (pcs)
UTZ-130/CR	105	10	60
UTZ-130/SN			
UTZ-130/SB			

Material	Finish/Color
Zinc Alloy	Chrome (CR)/Satin Nickel (SN)/Satin Bronze (SB)
Plastic	Black

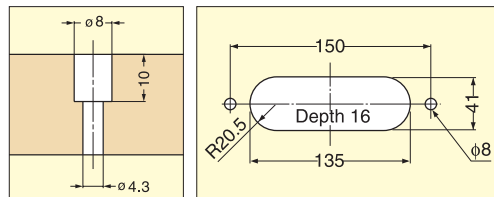
RECESSED PULL



SD-160



Sheet metal mounting application



Bore Dimensions

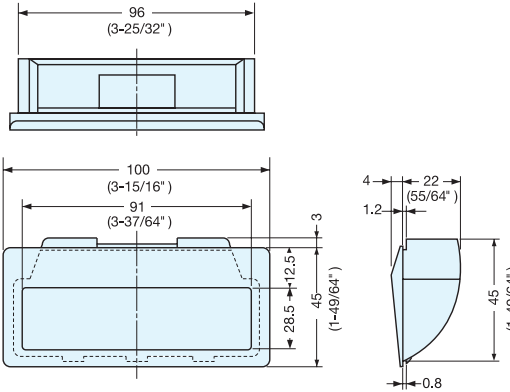
Item No.	Weight (g)	Box (pcs)	Carton (pcs)
SD-160/CR	165	10	60
SD-160/SN			

Material	Finish/Color
Zinc Alloy	Chrome (CR)/Satin Nickel (SN)
Plastic	Black

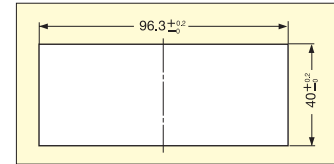
RECESSED PULL



AT-100



• Snap-in type recessed pull for sheet metal thickness 0.8 mm.



Cut Out Dimensions (Panel thickness: 0.8 mm)

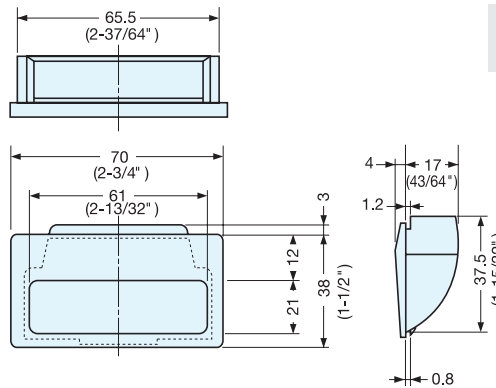
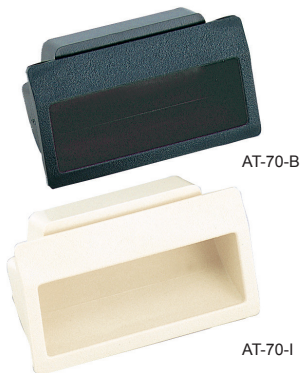
Item No.	Weight (g)	Box (pcs)	Carton (pcs)
AT-100-I	23	50	250
AT-100-BR			
AT-100-B			

Material	Color
ABS	Ivory (I)
	Brown (BR)
	Black (B)

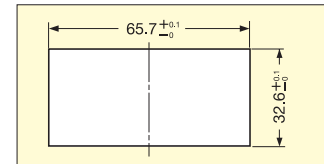
RECESSED PULL



AT-70



• Snap-in type recessed pull for sheet metal thickness 0.8 mm.



Cut Out Dimensions (Panel thickness: 0.8 mm)

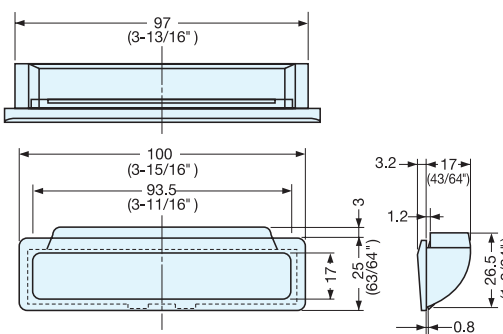
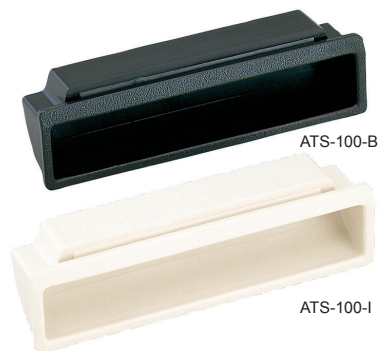
Item No.	Weight (g)	Box (pcs)	Carton (pcs)
AT-70-I	12	100	550
AT-70-BR			
AT-70-B			

Material	Color
ABS	Ivory (I)
	Brown (BR)
	Black (B)

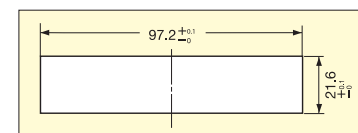
RECESSED PULL



ATS-100



• Snap-in type recessed pull for sheet metal thickness 0.8 mm.



Cut Out Dimensions (Panel thickness: 0.8 mm)

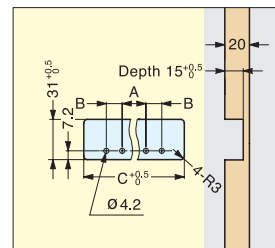
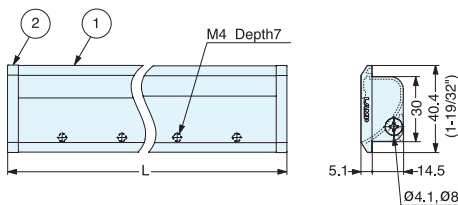
Item No.	Weight (g)	Box (pcs)	Carton (pcs)
ATS-100-I	12.5	100	550
ATS-100-BR			
ATS-100-B			

Material	Color
ABS	Ivory (I)
	Brown (BR)
	Black (B)

RECESSED PULL



XLA-HHA



- Lightweight design.
- Bracket for sheet metal available.
Item No.: XLA-HHA40B (sold separately)

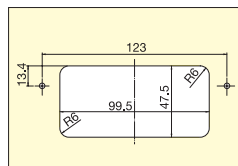
Item No.	L	A	B	C	Weight (g)	Box (pcs)	Carton (pcs)
XLA-HHA300	300 (11-13/16")	100	50	296	140	10	100
XLA-HHA600	600 (23-5/8")	200	150	596	247	5	50

No.	Material	Finish
①	Aluminum	Anodized
②	Zinc Alloy	Chrome

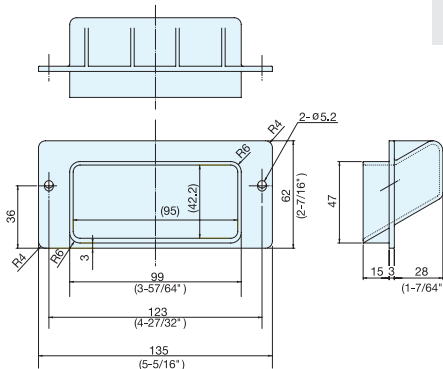
RECESSED PULL (BACK MOUNT)



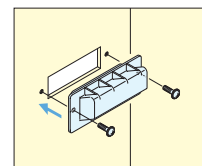
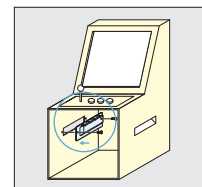
HH-PS99



Bore Dimensions



- Designed for back mount.
- Large grip space for heavy Cabinets etc.
- For panel thickness 15 mm. (19/32")



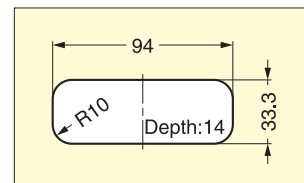
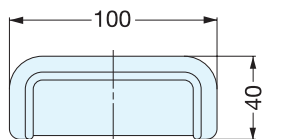
Item No.	Weight (g)	Box (pcs)	Carton (pcs)
HH-PS99	42	50	200

Material	Color
Polypropylene with Glass Fiber	Black

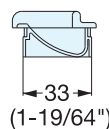
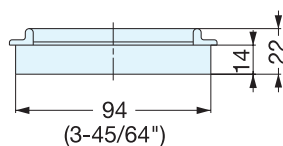
RECESSED PULL



UP-600



Cut out Dimensions



Item No.	Weight (g)	Box	Carton (pcs)
UP-600	25	50	300

Material	Color
ABS	Black, Chrome

RECESSED PULL



HH-UD

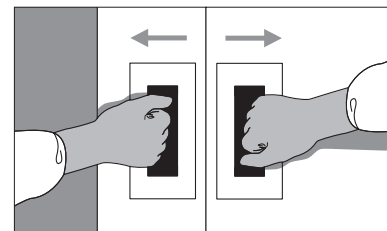


HH-UD120SH



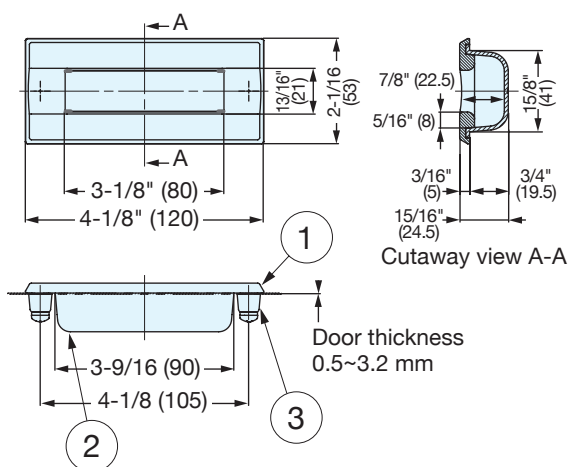
HH-UD156SH

- Comfortable grip designed for both open and close directions.
- The HH-UD156 is compliant with SEMI standard (SEMI S8-0915).

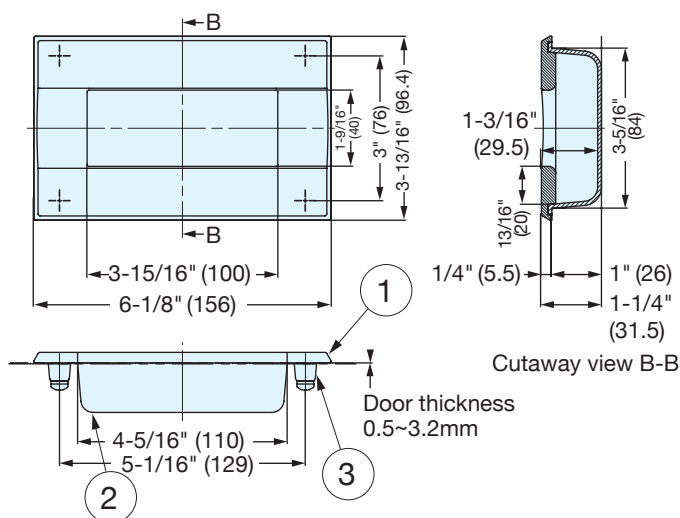


No.	Material	Color	Material
①	Body	Black	Stainless Steel
②	Cup	Gray	ABS and PC Plastic
③	Spacer	Yellow	Stainless Steel

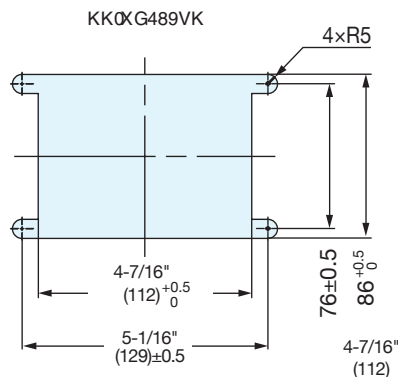
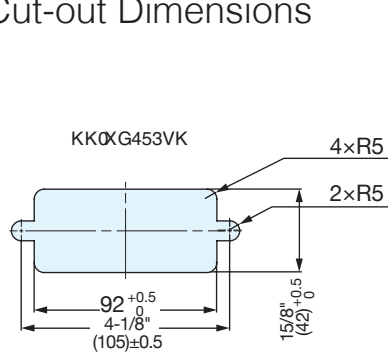
HH-UD120SH



HH-UD156SH



Cut-out Dimensions



Item Name	Finish	Load Capacity kgf	Weight (g)	Box (pcs)	Carton (pcs)
HH-UD120SH	Satin	51	193	20	80
HH-UD120SM	Mirror			20	80
HH-UD156SH	Satin	502	502	20	80
HH-UD156SM	Mirror			20	80

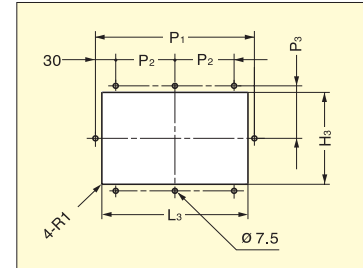
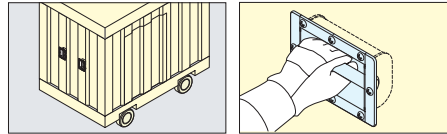
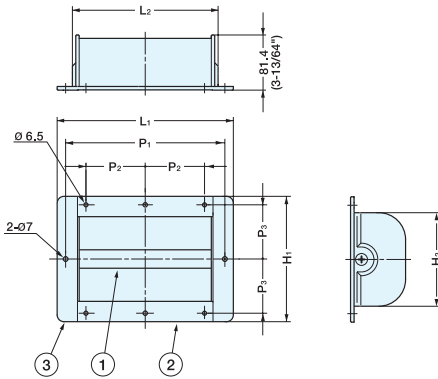
LARGE RECESSED PULL (WITH BAR HANDLE)



HH-M



- Durable 304 stainless steel construction.
- Designed for industrial applications where use of thick gloves are required.
- Handlebar does not protrude out from the face of the handle.
- 2 sizes available.



Item No.	Box (pcs)	Carton (pcs)
HH-M200	1	4
HH-M400	1	2

No.	Part Name	Material
①	Bar	304 Stainless Steel
②	Cup	
③	End Cover	

Item No.	L ₁	H ₁	H ₂	L ₂	P ₁	P ₂	P ₃	L ₃	H ₃
HH-M200	260 (10-15/64")	(186.3) (7-21/64")	(138.3) (5-29/64")	218 (8-37/64")	235	87.5	80	216 (8-1/2")	140 (5-33/64")
HH-M400	460 (18-7/64")	(186.3) (7-21/64")	(138.3) (5-29/64")	418 (16-29/64")	435	125.0	80	416 (16-3/8")	

RECESSED PULL

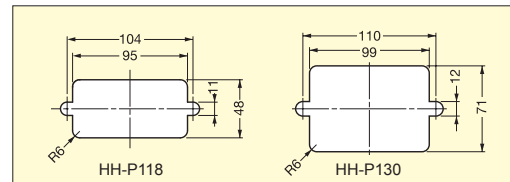
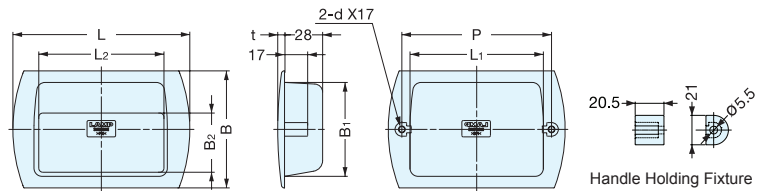
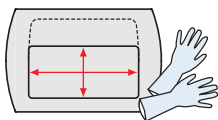


HH-P



- Made with PVC material:
 - Ideal for semiconductor, manufacturing machinery and transparent applications.
 - Weather proof, chemical resistant.
- Large opening allows for easy accessibility with gloved hands.
- Environmentally friendly-Lead free.
- Compliant with SEMI S8-0308 guideline.

Large opening makes it easier to use with gloves



Item No.	L	L ₁	L ₂	B	B ₁	B ₂	H	P	d	t	Door Thickness (mm)
HH-P118	118	93	90	58	47	25.5	21.5	104	M4	4	1~11
HH-P130	130	98	92	86	69	43.5	28.0	110	M5	5	1~11

Item No.	Weight (g)	Box (pcs)	Carton (pcs)
HH-P118	43	45	450
HH-P130	100	30	300

Material	Color
Polyvinyl Chloride (PVC)	Clear

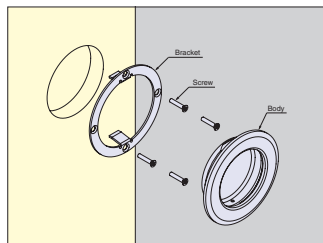
Zwei L Recessed Pull



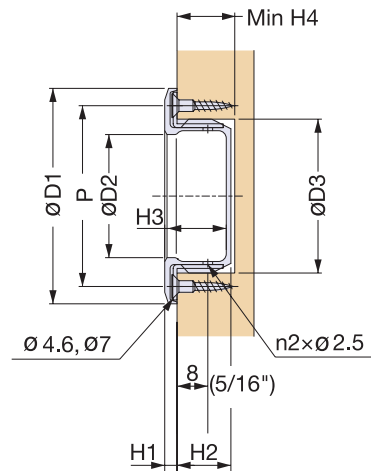
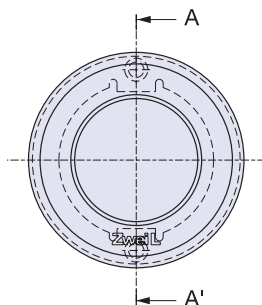
ZL-2501



- Ideal for sliding doors.
- Supplied with stainless steel wood screws (3.1 × 16).



Installation



Cross-section (A-A') View

Item No.	D2	P	D1	H2	H1	H3	D3	H4	n1	n2	Weight (g)	Box (pcs)
ZL-2501-56	32	47	56	14	3.2	16.0	40	15	2	4	93	1
ZL-2501-80	50	70	80	14	4.0	16.5	62	15	4	2	196	1
ZL-2501-125	80	112	125	16	5.0	20.0	100	17	4	4	610	1

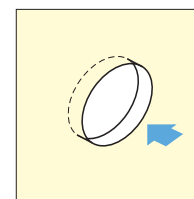
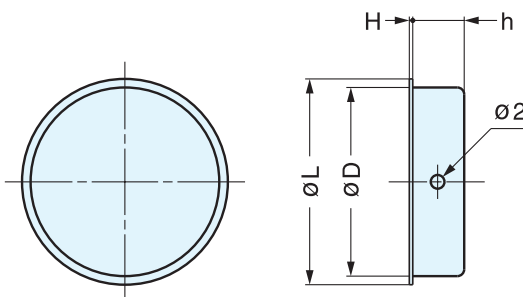
No.	Part Name	Material	Finish/Color
①	Pull	316 Stainless Steel	Zwei L
②	Mounting Bracket	316 Stainless Steel	Plain

RECESSED PULL



RP

- Ideal for sliding doors.
- Affix with glue or tack.



Installation

Item No.	L	H	h	D	Weight (g)	Box (pcs)	Carton (pcs)
RP-30	30 (1-3/16")	0.5	7.5 (19/64")	27.5	4.0	100	3600
RP-37	36 (1-27/64")		8.5 (21/64")	31.5	6.0		
RP-45	46 (1-13/16")		41.0	9.5			
RP-60	60 (2-23/64")		53.5	15.0	50	1200	
RP-80	80 (3-5/32")		71.0	25.5	25	500	

Material	Finish
304 Stainless Steel	Satin

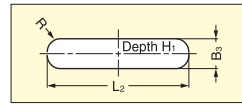
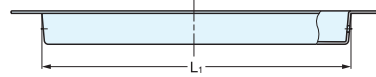
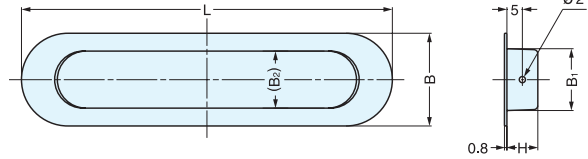
RECESSED PULL



HN



- Ideal for sliding doors.
- Affix with glue or tack.



Bore Dimensions

Material	Finish
304 Stainless Steel	Satin

Item No.	L	L ₁	H	B	B ₁	B ₂	L ₂	B ₃	H ₁	Weight (g)	Box (pcs)	Carton (pcs)
HN-120SH	120 (4-23/32")	100	10.0 (25/64")	30 (1-3/16")	20 (25/32")	18.5	100.5 (3-61/64")	20.5 (13/16")	10.5	19	50	500
HN-150SH	150 (5-29/32")	130	12.0 (15/32")	35 (1-3/8")	26 (1-1/32")	24.5	130.5 (5-9/64")	26.5 (1-3/64")	12.5	27	20	200
HN-200SH	200 (7-7/8")	170	13.2 (33/64")	50 (1-31/32")	36 (1-27/64")	34.5	170.5 (6-23/32")	36.5 (1-7/16")	13.7	50	10	100
HN-250SH	250 (9-27/32")	220								92		

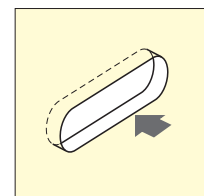
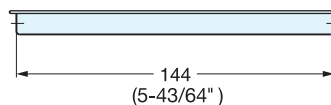
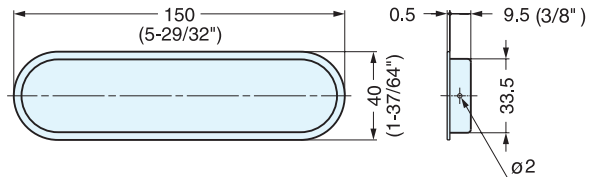
RECESSED PULL



OP-150



- Ideal for sliding doors.
- Affix with glue or tack.



Installation

Item No.	Weight (g)	Box (pcs)	Carton (pcs)	Material	Finish
OP-150	30	30	720	304 Stainless Steel	Satin

RECESSED FINGER PULL



3511, 3512 SERIES

- Ideal for sliding doors.
- Affix with glue or tack.



3511038/SN



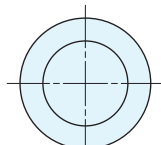
3511400/CR



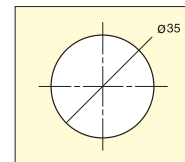
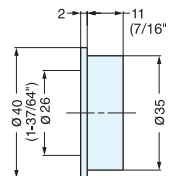
3512038/SN



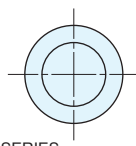
3512400/CR



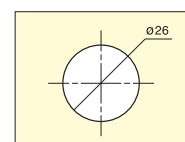
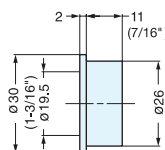
3511 SERIES



Bore Dimensions



3512 SERIES



Bore Dimensions

Item No.	Weight (g)	Box (pcs)	Carton (pcs)
3511038/SN	27.1	25	250
3511400/CR			
3512038/SN	17.2		
3512400/CR			

Material	Finish
Zinc Alloy	Satin Nickel (SN)/Chrome (CR)

RECESSED PULL



3922 SERIES

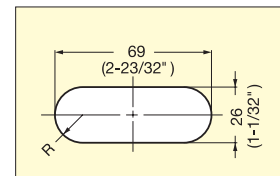
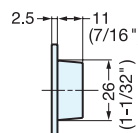
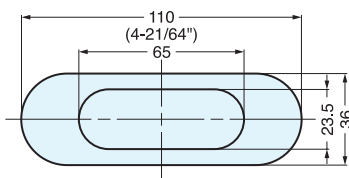
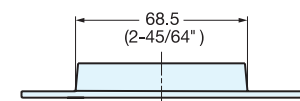
- Ideal for sliding doors.
- Affix with glue or tack.



3922038/SN



3922400/CR



Bore Dimensions

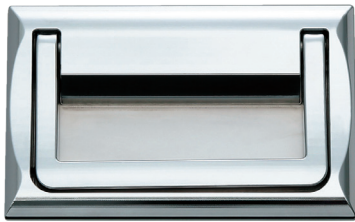
Item No.	Weight (g)	Box (pcs)	Carton (pcs)
3922038/SN	70.9	25	250
3922400/CR			

Material	Finish
Zinc Alloy	Satin Nickel (SN)/Chrome (CR)

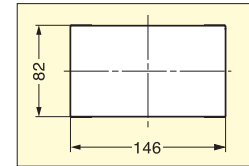
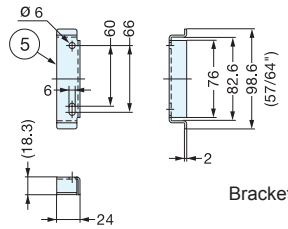
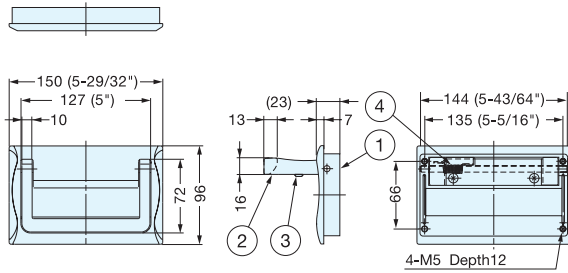
TRUNK HANDLE



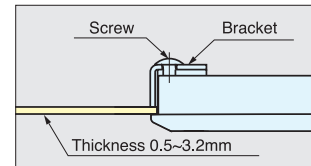
HCT-150



- 316 Stainless steel handle is ideal for harsh and highly corrosive environments.
- The handle is recessed into the mounting plate keeping it flush with the mounting surface.
- Spring loaded: Folds and returns to flat position to stay out of the way when not in use.
- 90 degree stop feature.
- Back mounted. Includes bracket for sheet metal applications.



Cut Out Dimensions



No.	Part Name	Material	Finish
①	Body	316 Stainless Steel	Mirror
②	Handle		
③	Bumper	Ethylene Propylene	Black
④	Spring	316 Stainless Steel	-
⑤	Bracket		Plain

Item No.	Material	Finish	Load Capacity (kg)	Load Capacity (lbs)	Weight (g)	Box (pcs)	Carton (pcs)
HCT-150	316 Stainless Steel	Mirror	100	220	990	5	20

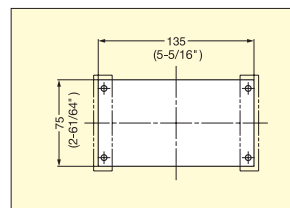
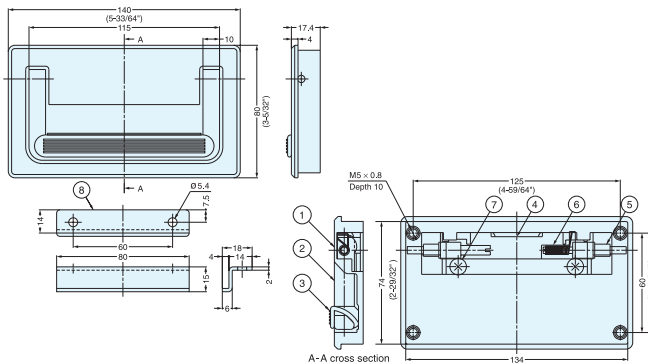
TRUNK HANDLE



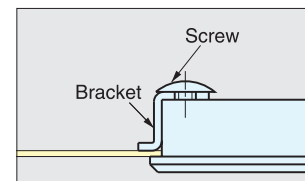
MUD-140



- The handle is recessed into the mounting plate keeping it flush with the mounting surface.
- Spring loaded:
Folds and returns to flat position to stay out of the way when not in use.
- 90 degree stop feature.
- Rubber pad on handle provides an easy and comfortable grip.
- Back mounted. Includes bracket for sheet metal applications.



Cut Out Dimensions



Installation

No.	Part Name	Material	Finish/Color
①	Body	Zinc Alloy	Chrome
②	Handle		
③	Grip	Synthetic Rubber	Black
④	Back Case	Steel	Yellow Zinc Chromate
⑤	Shaft	Zinc Alloy	
⑥	Spring	Steel	
⑦	Screw		
⑧	Bracket		

Item No.	Load Capacity (kg)	Weight (g)	Box (pcs)	Carton (pcs)
MUD-140	30 (66 lbs)	620	5	20

TRUNK HANDLE

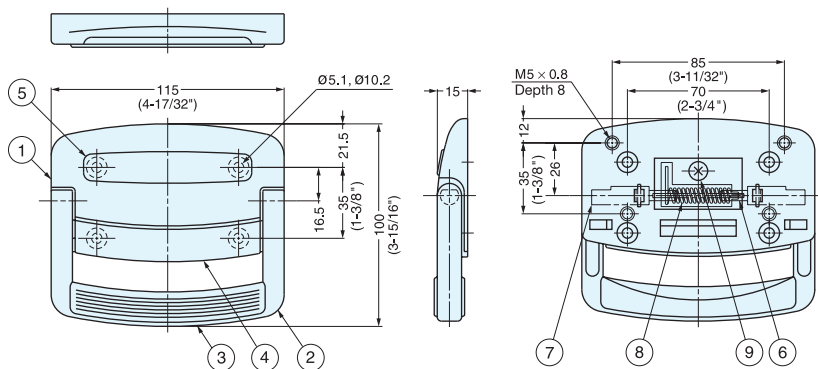
TEST 1
P.696



TMU-115



- Spring loaded trunk handle.
- Designed for both surface and back mount.
- Durable construction.
- Rubber pad on handle for good grip.



Item No.	Load Capacity (kg)	Weight (g)	Box (pcs)	Carton (pcs)
TMU-115	40 (80 lbs)	460	10	40

No.	Part Name	Material	Finish
①	Body	Zinc Alloy	Chrome
②	Handle		
③	Grip	Synthetic Rubber	Black
④	Case Cover 1		
⑤	Case Cover 2	Steel	Yellow Zinc Chromate
⑥	Back Case		
⑦	Shaft		
⑧	Spring		
⑨	Screw		

TRUNK HANDLE

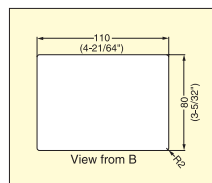
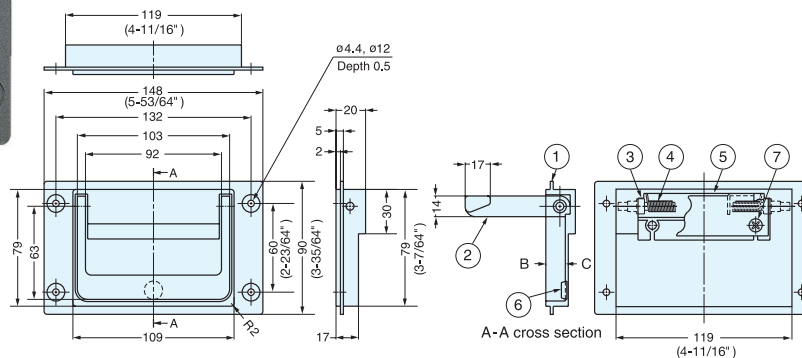
TEST 1
P.696



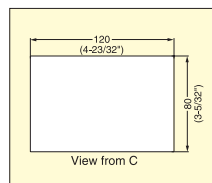
PT-148



- Spring loaded trunk handle.
- Designed to be back mounted on sheet metal.



Cut Out Dimensions for back mount

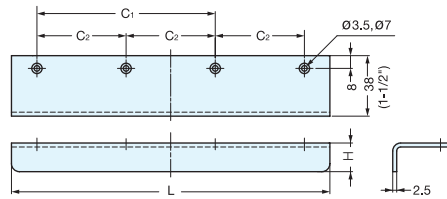


Cut Out Dimensions for surface mount

Item No.	Load Capacity (kg)	Weight (g)	Box (pcs)	Carton (pcs)
PT-148	50 (110 lbs)	645	10	100

No.	Part Name	Material	Finish
①	Body	Zinc Alloy	Grey
②	Handle		
③	Shaft	Steel	Plain
④	Spring		
⑤	Back Case	Synthetic Rubber	Yellow Zinc Chromate
⑥	Bumper		
⑦	Screw		
		Steel	Chromate

EDGE PULL



Available in 3 finishes. Please specify finish when ordering.

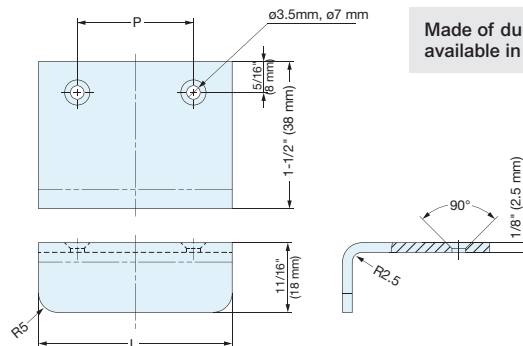
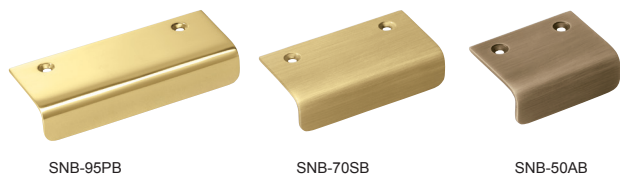
Material	Finish
304 Stainless Steel	Mirror (M)
	Satin (S)
	Black (BL)

Item No.			L	C1	C2	H	Holes	Weight (g)	Box (pcs)	Carton (pcs)
SN-50/M*	SN-50/S*	SN-50/BL	50 (1-31/32")	30 (1-3/16")	-	18 (11/16")	2	47	40	400
SN-70/M*	SN-70/S*	SN-70/BL	70 (2-3/4")	46 (1-13/16")	-			65	30	300
SN-95/M*	SN-95/S*	SN-95/BL	95 (3-47/64")	65 (2-9/16")	-			90	20	200
SN-120/M*	SN-120/S*	-	120 (4-23/32")	90 (3-35/64")	45		3	112	15	150
SN-150/M*	SN-150/S*	-	150 (5-29/32")	114 (4-31/64")	57			147		60
SN-200/M	SN-200/S	-	200 (7-7/8")	112 (4-13/32")	56			200		10
SN-300/M	SN-300/S	-	300 (11-13/16")	180 (7-3/32")	90		4	300		

* NSF Component

EDGE PULL

SNB

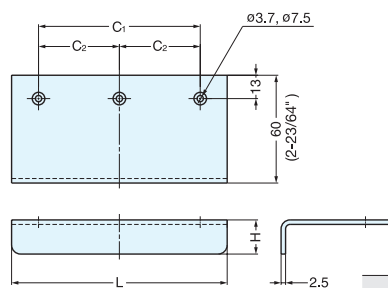
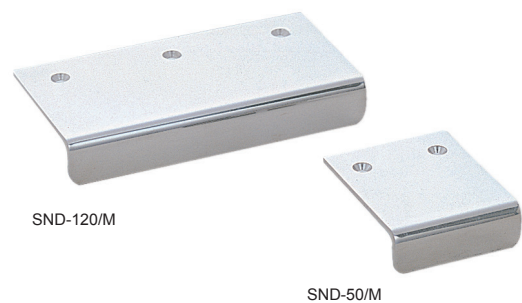


Made of durable brass available in 3 finishes

Item No.			L	P	Weight (g)	Box (pcs)	Carton (pcs)
SNB-50/PB	SNB-50/SB	SNB-50/AB	50 (1-31/32")	30 (1-3/16")	47	-	-
SNB-70/PB	SNB-70/SB	SNB-70/AB	70 (2-3/4")	46 (1-13/16")	65	-	-
SNB-95/PB	SNB-95/SB	SNB-95/AB	95 (3-47/64")	65 (2-9/16")	90	-	-

Material	Finish
Brass	Mirror (PB)
	Satin (SB)
	Antique Brass (AB)

EDGE PULL



Material	Finish
304 Stainless Steel	Mirror

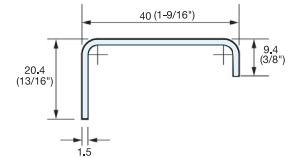
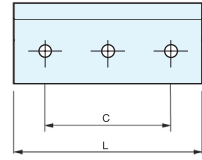
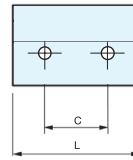
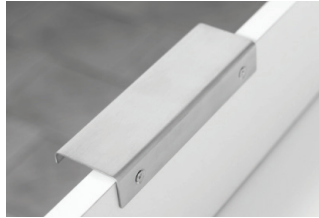
Item No.	L	C1	C2	H	Weight (g)	Box (pcs)	Carton (pcs)
SND-50/M*	50 (1-31/32")	30 (1-3/16")	-	17 (43/64")	67	10	200
SND-70/M*	70 (2-3/4")	46 (1-13/16")	-		95		
SND-95/M*	95 (3-47/64")	65 (2-9/16")	-		130		
SND-120/M	120 (4-23/32")	90 (3-35/64")	45	19 (3/4")	166	5	50
SND-150/M	150 (5-29/32")	114 (4-31/64")	57	208			

* NSF Component

EDGE PULL



DSI-350



Item No.	C	L	Weight (g)	Box (pcs)	Carton (pcs)
DSI-350-16	16 (5/8")	32 (1-1/4")	22	25	250
DSI-350-64	64 (2-1/2")	96 (3-25/32")	66		
DSI-350-96	96 (3-25/32")	128 (5-1/16")	88		
DSI-350-128	128 (5-1/16")	160 (6-5/16")	110		
DSI-350-160	160 (6-5/16")	192 (7-9/16")	132		
DSI-350-192	192 (7-9/16")	224 (8-13/16")	154		
DSI-350-224	224 (8-13/16")	256 (10-1/16")	176	10	100
DSI-350-256	256 (10-1/16")	352 (13-7/8")	240		
DSI-350-352	352 (13-7/8")	544 (21-7/16")	374		

Material	Finish
304 Stainless Steel	Satin

EDGE PULL



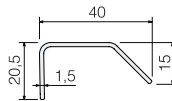
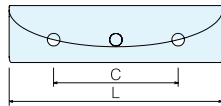
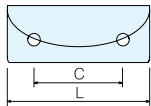
DSI-360



- Back mounted cabinet pull.
- Rounded front pull, available in various lengths.

For Models:
16,64,96,128

For Models:
160, 192



Item No.	L	C	Weight (g)	Box (pcs)	Carton (pcs)
DSI-360-16	1-1/4" (32)	5/8" (16)	24	25	200
DSI-360-64	3-3/4" (96)	2-1/2" (64)	68		150
DSI-360-96	5-1/16" (128)	3-3/4" (96)	90		100
DSI-360-128	6-5/16" (160)	5-1/16" (128)	120	10	60
DSI-360-160	7-9/16" (192)	6-5/16" (160)	144	10	40
DSI-360-192	8-13/16" (224)	7-9/16" (192)	156		



Material	Finish
304 Stainless Steel	Satin

EDGE PULL



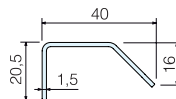
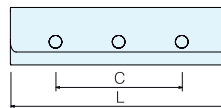
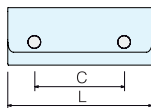
DSI-370



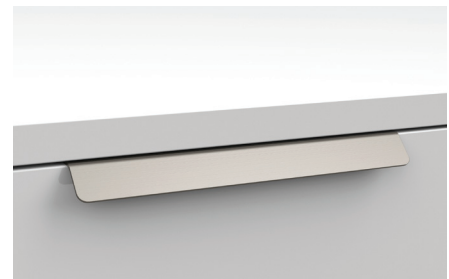
- Back mounted cabinet pull.
- Rectangle front pull, available in various lengths.

For Models:
16,64,96,128

For Models:
160, 192



Item No.	L	C	Weight (g)	Box (pcs)	Carton (pcs)
DSI-370-16	1-1/4" (32)	5/8" (16)	24	25	200
DSI-370-64	3-3/4" (96)	2-1/2" (64)	68		150
DSI-370-96	5-1/16" (128)	3-3/4" (96)	90		100
DSI-370-128	6-5/16" (160)	5-1/16" (128)	120	10	60
DSI-370-160	7-9/16" (192)	6-5/16" (160)	144	10	40
DSI-370-192	8-13/16" (224)	7-9/16" (192)	156		



Material	Finish
304 Stainless Steel	Satin

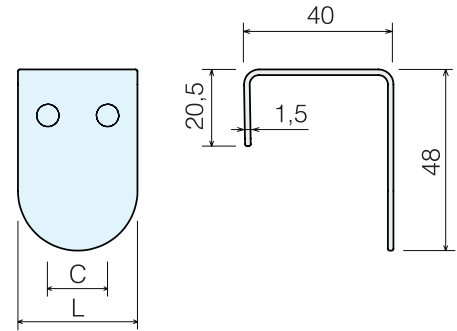
EDGE PULL

STAINLESS
304
STEEL

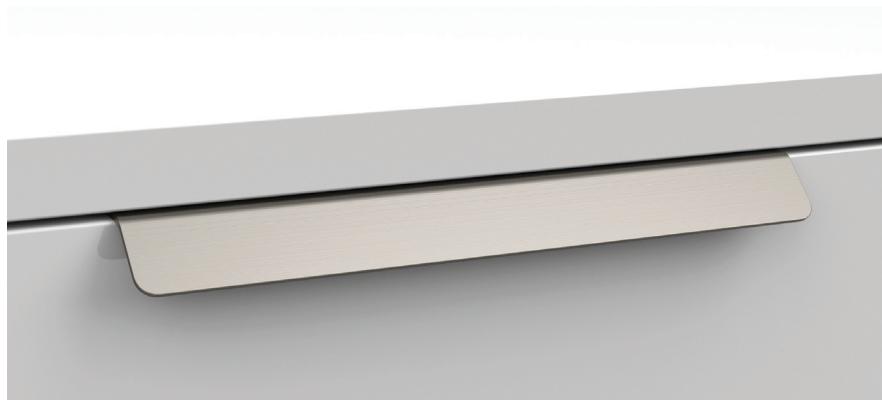
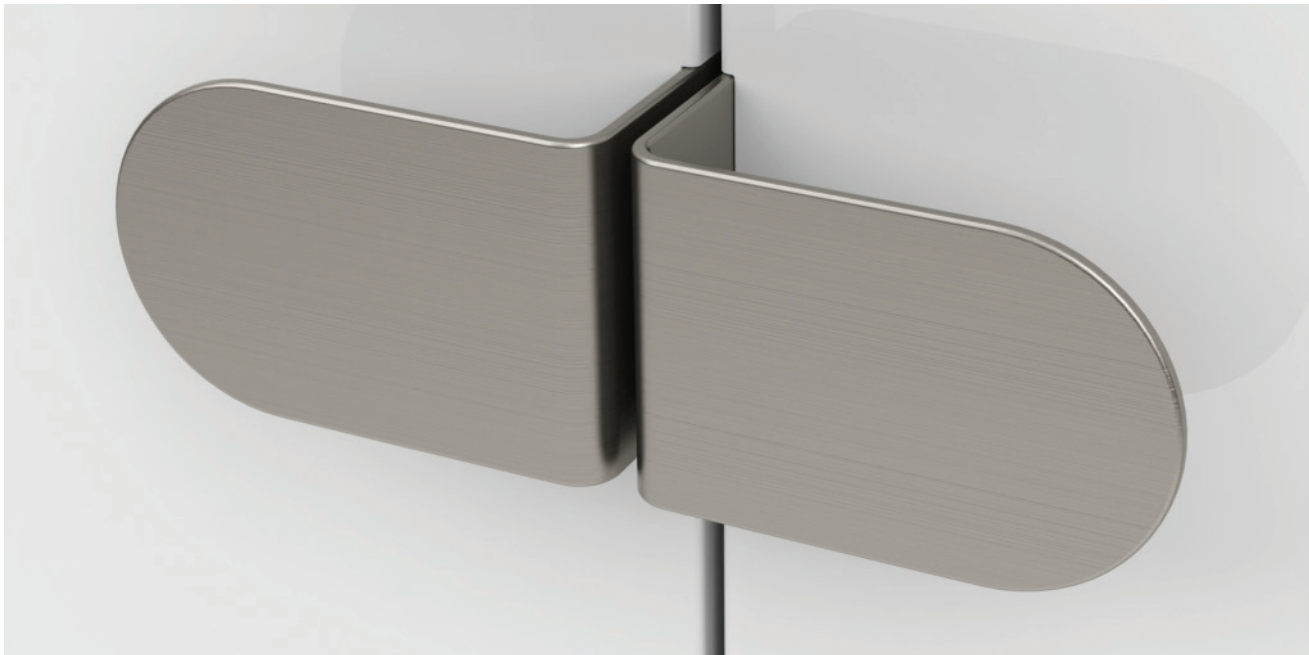
STAINLESS

DSI-380

- Small pull for cabinet doors.
- Rounded front pull, can be used side by side.



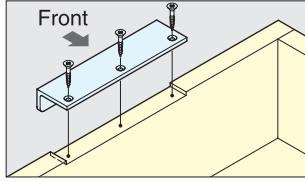
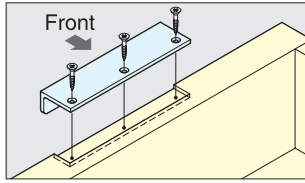
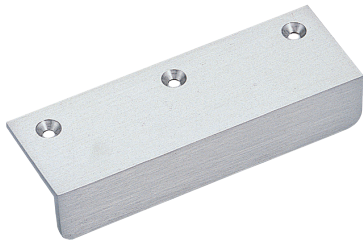
Item No.	L	C	Weight (g)	Box (pcs)	Carton (pcs)	Material	Finish
DSI-380-16	1-1/4" (32)	5/8" (16)	39	25	200	304 Stainless Steel	Satin



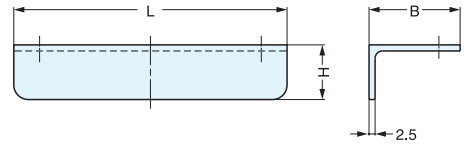
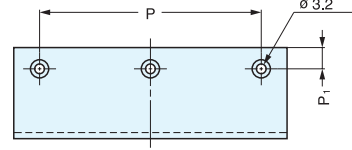
EDGE PULL



AG



Installation



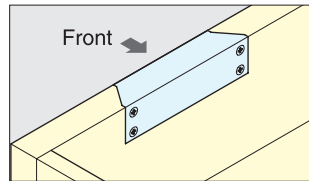
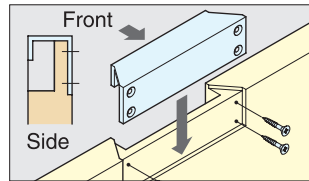
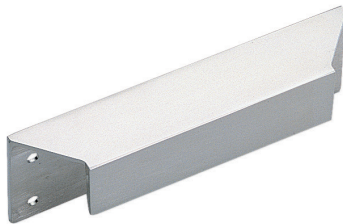
Item No	L	H	P	P ₁	B	Holes	Box (pcs)	Carton (pcs)
AG-A405	46	18	29	7	30	2	120	480
AG-A402	90		73			3	70	280

Material	Finish
Brass	Satin Nickel

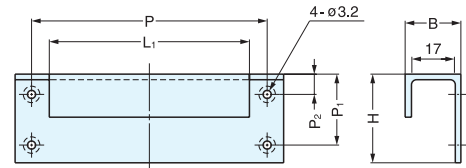
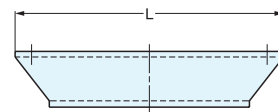
EDGE PULL



CN



Installation



Item No	L	L ₁	H	P	P ₁	P ₂	B	Box (pcs)	Carton (pcs)
CN-A362	106	76	36	93	28	8	22	28	280
CN-A360	137	107	36	123	28	8	22	16	64

Material	Finish
Brass	Satin Nickel

FINGER PULL



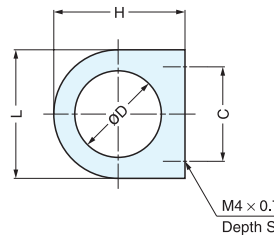
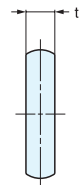
DR



Mirror



Satin



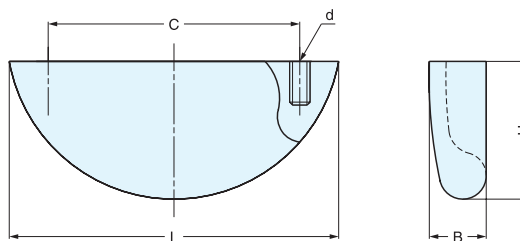
Material	Finish
304 Stainless Steel	Mirror (M) Satin (S)

Item No.	L	C	H	t	D	S	Weight (g)	Box (pcs)	Carton (pcs)	
DR-S/M	DR-S/S	24.5 (31/32")	18(45/64")	25.0 (63/64")	5.5	16.5	5	10	80	800
DR-L/M	DR-L/S	30.5 (1-13/64")	21(53/64")	31.5 (1-15/64")	6.5	20.5	6	22	50	500

ROUND EDGE PULL



RD



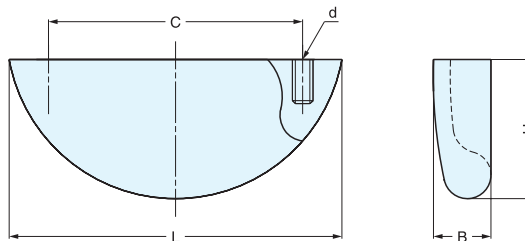
Item No.	L	C	H	B	d	Weight (g)	Box (pcs)	Carton (pcs)
RD-55/SM	55 (2-11/64")	42 (1-21/32")	23.0 (29/32")	9.5	M4 × 0.7	50	30	360
RD-90/SM	90 (3-35/64")	74 (2-29/32")	25.5 (1-1/64")	10.5	M4 × 0.7	80	20	240

Material	Finish
316 Stainless Steel	Mirror

ROUND EDGE PULL



RD



Please specify the finish when ordering.

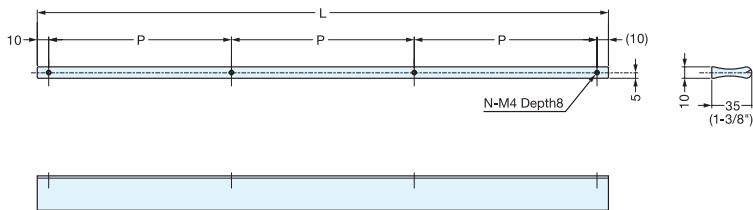
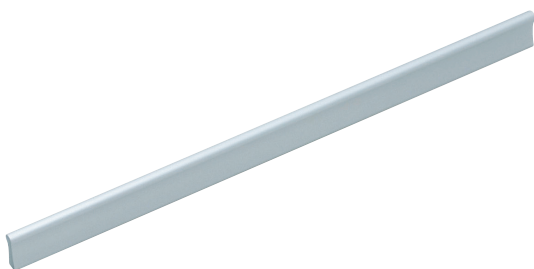
Material	Finish
Zinc Alloy	Smoke (SMK), Satin Nickel (SN) Polished Chrome (CR) Satin Brass (SB)

Item No.	L	C	H	B	d	Weight (g)	Box (pcs)	Carton (pcs)	Screw
RD-45	45 (1-25/35")	32 (1-17/64")	19.0 (3/4")	8.0	M3 × 0.5	22	40	480	M3 × 25
RD-55	55 (2-5/35")	42 (1-21/32)	23.0 (29/32")	9.5	M4 × 0.7	35	30	360	M4 × 28
RD-90	90 (3-35/64")	74 (2-29/32")	25.5 (1-1/64")	10.5		63	20	240	

PULL



AOT35



Item No.	L	P	Weight (g)	Box (pcs)	Carton (pcs)
AOT35-180	180 (7-3/32")	160 (6-5/16")	129	100	1000
AOT35-340	340 (13-3/8")		243	50	500
AOT35-500	500 (19-11/16")		358	30	300

Material	Finish
Aluminum	Alumite

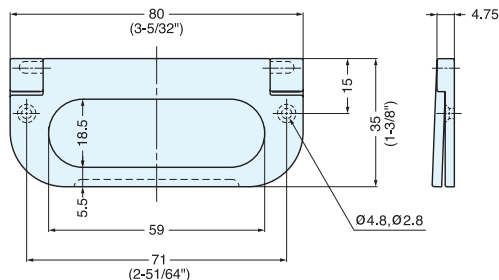
FOLDING RING PULL



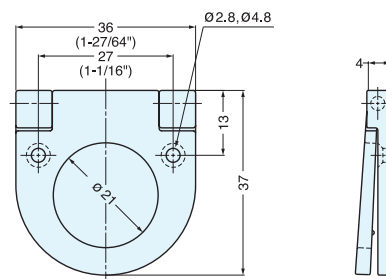
3261, 3262 SERIES



3262200/SN



3261500/SN



3262200/SN

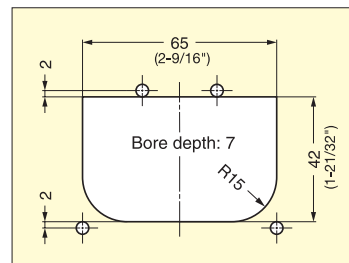
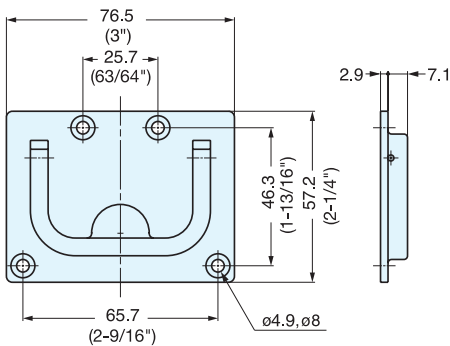
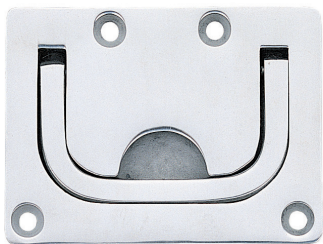
Item No.	Weight (g)	Box (pcs)	Carton (pcs)
3261500/SN	49.3	25	250
3262200/SN	26.0		600

Material	Finish
Zinc Alloy	Satin Nickel

FOLDING RING PULL



26700



Cut Out Dimensions

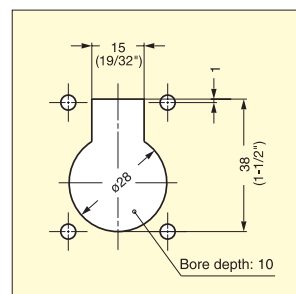
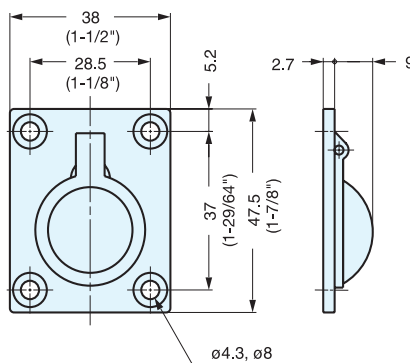
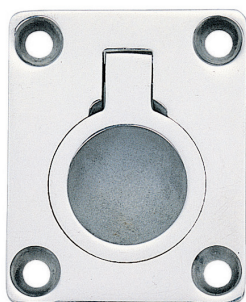
Item No.	Weight (g)	Box (pcs)	Carton (pcs)
26700	120	20	100

Material	Finish
316 Stainless Steel	Polished

FOLDING RING PULL



26900



Cut Out Dimensions

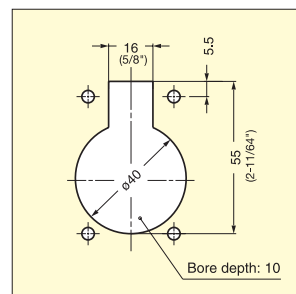
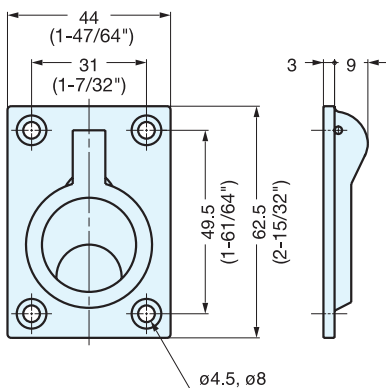
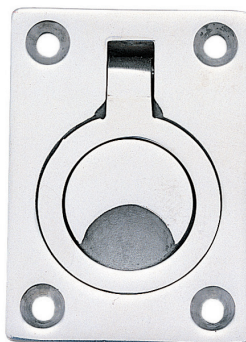
Item No.	Weight (g)	Box (pcs)	Carton (pcs)
26900	45	20	100

Material	Finish
316 Stainless Steel	Polished

FOLDING RING PULL



26901



Cut Out Dimensions

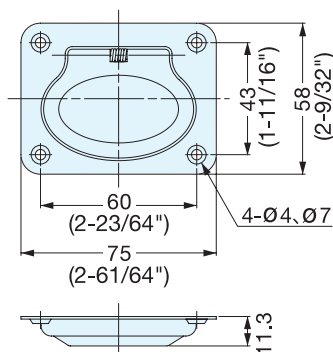
Item No.	Weight (g)	Box (pcs)	Carton (pcs)
26901	85	20	100

Material	Finish
316 Stainless Steel	Polished

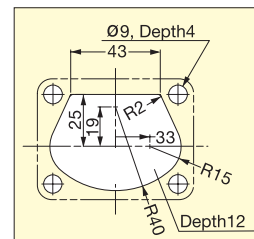
FOLDING RING PULL (SPRING LOADED)



980643



- The pull is recessed into the mounting plate keeping it flush with the mounting surface.
- Low profile design.
- Spring loaded-snaps flat to stay out of the way when not in use.
- Ideal for vibration or shock applications.



Item No.	Weight (g)	Box (pcs)	Carton (pcs)
980643	51	10	200

Material	Finish
304 Stainless Steel	Polished

FOLDING RING PULL (SPRING LOADED)



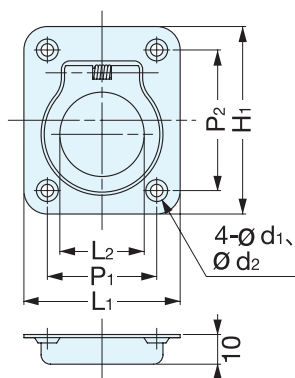
980641, 980642



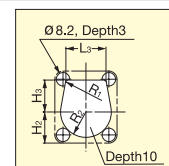
980642



980641



- The pull is recessed into the mounting plate keeping it flush with the mounting surface.
- Low profile design.
- Spring loaded-snaps flat to stay out of the way when not in use.
- Ideal for vibration or shock applications.



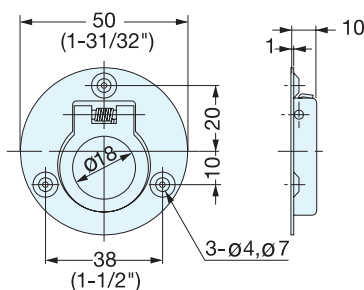
Material	Finish
304 Stainless Steel	Polished

Item No.	L ₁	L ₂	L ₃	H ₁	H ₂	H ₃	R ₁	ØR ₂	P ₁	P ₂	d ₁	d ₂	Weight(g)	Box (pcs)	Carton (pcs)
980641	38	18	24.5	44	19	19.5	14.2	31	28 (1-7/64")	34 (1-11/32")	3.6	6.2	21	10	500
980642	50	27	25.0	60	25	25.0	19.5	41	35 (1-3/8")	45 (1-25/32")	4.0	7.0	36	10	200

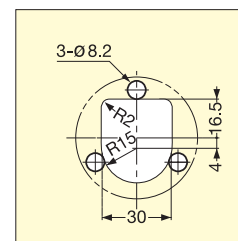
FOLDING RING PULL (SPRING LOADED)



980640



- The pull is recessed into the mounting plate keeping it flush with the mounting surface.
- Low profile design.
- Spring loaded-snaps flat to stay out of the way when not in use.
- Ideal for vibration or shock applications.



Item No.	Weight (g)	Box (pcs)	Carton (pcs)
980640	23	10	300

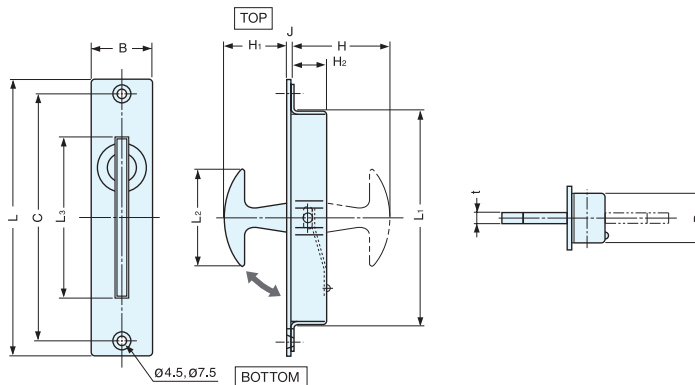
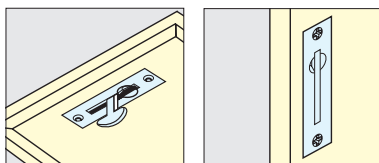
Material	Finish
304 Stainless Steel	Polished

HATCH PULL



ST-90, 115

• Hold-in detent for undermount applications.



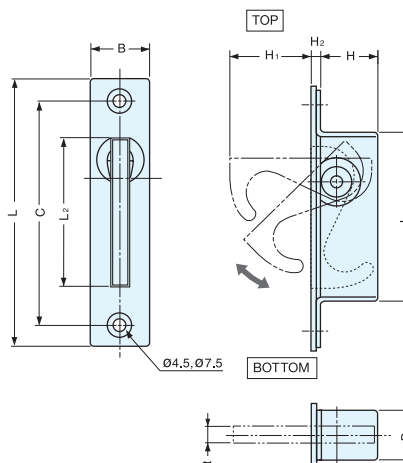
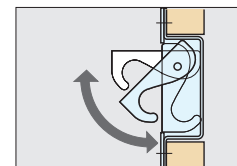
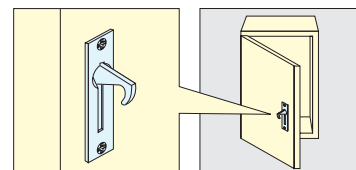
Item No.	L	L ₁	L ₂	L ₃	H	H ₁	H ₂	J	B	B ₁	t	C	Material	Finish
ST-90	90 (3-35/64")	66.2	30.2	57	35.5	23.2	10.5	2.2	22 (55/64")	18.5	3.8	80 (3-5/32")	304 Stainless Steel	Satin
ST-115	115 (4-17/32")	86.2	40.0	67	42.0	26.0	13.0	2.5	25 (63/64")	20.0	4.0	102 (4-1/64")		

Item No.	Weight (g)	Box (pcs)	Carton (pcs)	Screw
ST-90	68	30	300	3.5 × 22
ST-115	102	20	200	3.5 × 25

HATCH PULL



ST-80, 100



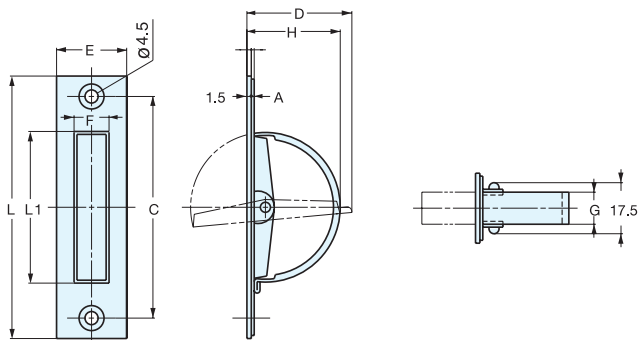
Item No.	L	L ₁	L ₂	H	H ₁	H ₂	B	B ₁	t	C	Material	Finish
ST-80	80 (3-9/64")	50	44	18	25	2	18 (45/64")	15	5	68 (2-43/64")	304 Stainless Steel	Satin
ST-100	100 (3-15/16")	63	54	21	32		20 (25/32")			85 (3-11/32")		

Item No.	Weight (g)	Box (pcs)	Carton (pcs)	Screw
ST-80	48	30	300	3.5 × 16
ST-100	66	20	200	3.5 × 20

HATCH PULL



HR



HANDLES, PULLS & KNOBS

HATCH PULLS

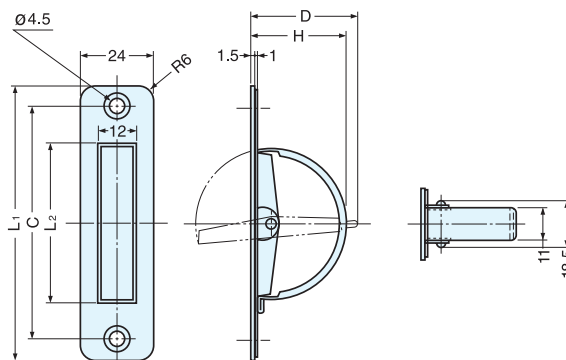
Item No.	L	L ₁	C	H	D	A	E	F	G	Material	Finish
HR-90	90 (3-35/64")	52 (2-3/64")	76	32	36	1.0	24 (15/16")	12.0	11	304 Stainless Steel	Satin
HR-110	110 (4-21/64")	64 (2-33/64")	94	38	42						
HR-135	135 (5-5/16")	90 (3-35/64")	115	50	55	1.2	25 (63/64")	12.2	12		

Item No.	Load Capacity (kg)	Weight (g)	Box (pcs)	Carton (pcs)	Screw
HR-90	13 (28 lbs)	49	30	300	3.5 × 22
HR-110	10 (22 lbs)	59	20	200	3.5 × 25
HR-135	-	88	15	150	

HATCH PULL



HR-R



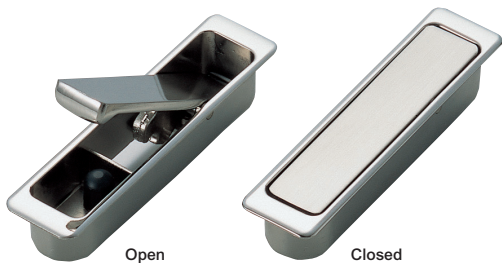
Material	Finish
304 Stainless Steel	Satin

Item No.	L ₁	L ₂	C	H	D	Load Capacity (kg)	Weight (g)	Box (pcs)	Carton (pcs)
HR-90R	90 (3-35/64")	52	76 (2-63/64")	32	36	13 (28 lbs)	46	30	300
HR-110R	110 (4-21/64")	64	94 (3-45/64")	38	42	10 (22 lbs)	55	20	200

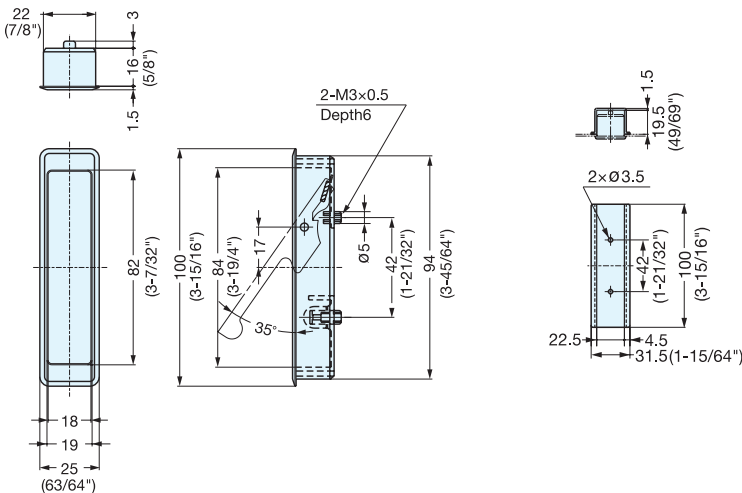
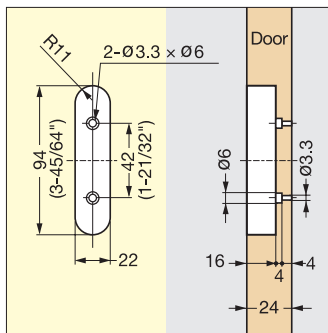
LEVER PULL



FH-100AK, FH-100BK



- FH-100AK-00 has detent to hold lever open or closed.
- FH-100BK-00 has spring to return lever to the closed position.
- Both models have rubber bumper inside to reduce noise when closing.
- Includes 1/2" long screws (M3 × 12).



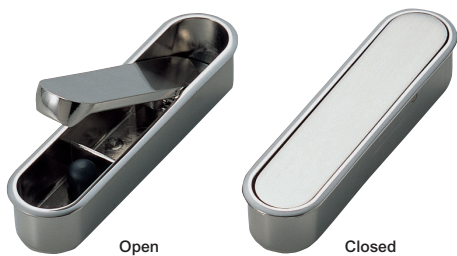
Item No.	Weight (g)	Box (pcs)	Carton (pcs)
FH-100AK-00	100	12	72
FH-100BK-00			

Part	Material	Finish
Case	Zinc Alloy	Polished Nickel
Handle		Satin Nickel

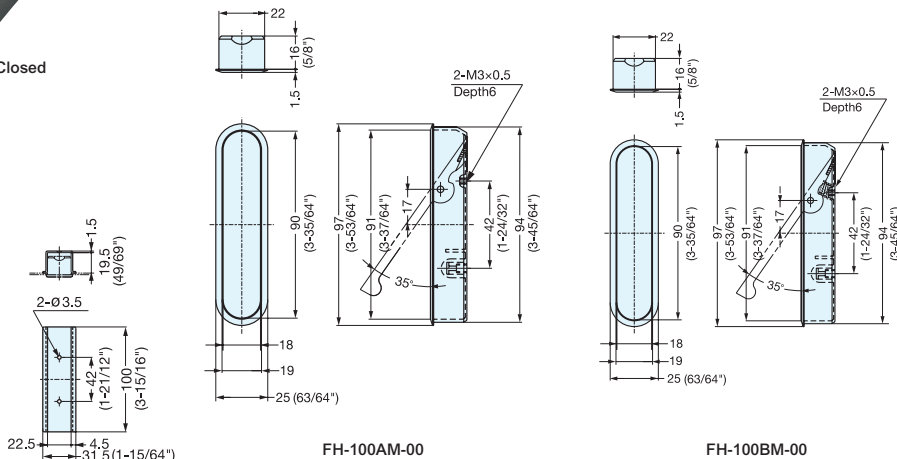
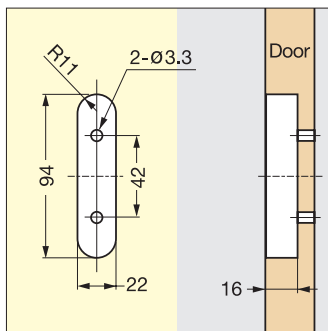
LEVER PULL



FH-100AM, FH-100BM



- FH-100AM-00 has detent to hold lever open or closed.
- FH-100BM-00 has spring to return lever to the closed position.
- Both models have rubber bumper inside to reduce noise when closing.
- Includes 1/2" long screws (M3 × 12).



Item No.	Weight (g)	Box (pcs)	Carton (pcs)
FH-100AM-00	103.5	12	72
FH-100BM-00			

Part	Material	Finish
Case	Zinc Alloy	Polished Nickel
Handle		Satin Nickel

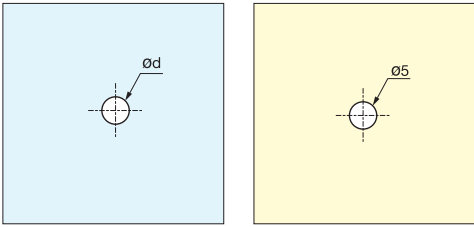
Zwei L Knob



ZL-1906

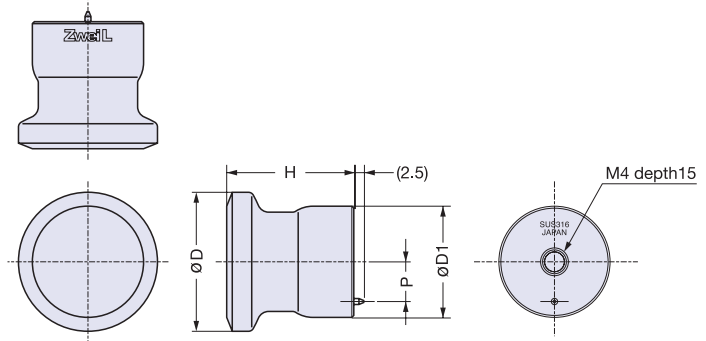


- For use with wood or tempered glass.
- Non-handed.
- Anti-rotation pin is removable.
- Includes stainless steel screws.



Glass Thickness:
4 or 5 mm, d = 5
6 mm, d = 6

Wood Panel



Item No.	Material	Finish/Color	H	D	D ₁	P	Weight (g)	Box (pcs)
ZL-1906-20	316 Stainless Steel	Zwei L	20 (25/32")	20 (25/32")	16.0	5	32	1
ZL-1906-28			26 (1-1/32")	28 (1-3/32")	22.5	8	83	
ZL-1906-36			32 (1-1/4")	36 (1-13/32")	28.0	10	165	

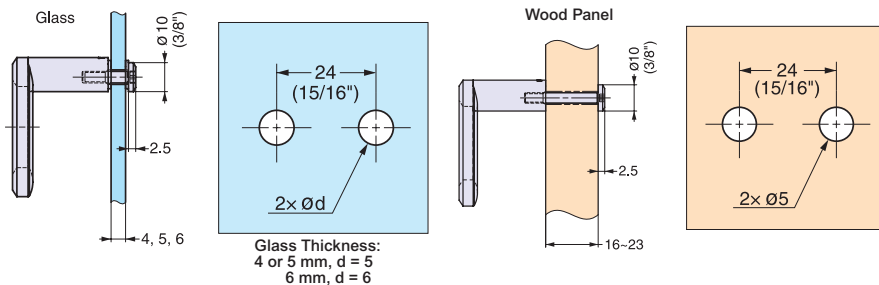
Zwei L Knob



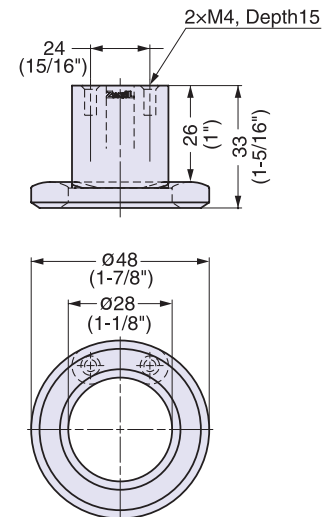
ZL-1909



- For use with wood or tempered glass.
- Non-handed.
- Anti-rotation pin is removable.
- Includes stainless steel screws.



Glass Thickness:
4 or 5 mm, d = 5
6 mm, d = 6



Item No.	Material	Finish/Color	Weight (g)	Box (pcs)
ZL-1909	316 Stainless Steel	Zwei L	97	1

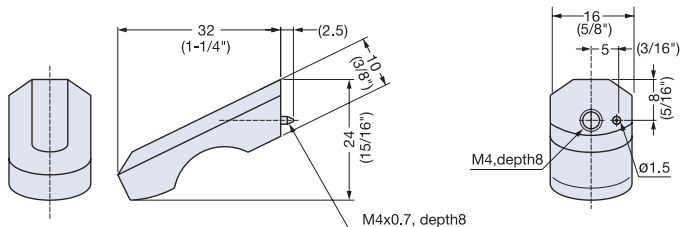
Zwei L Knob



ZL-1901



- Anti-rotation pin is removable.
- Includes 1" long stainless steel screw (M4 × 25).



Item No.	Material	Finish/Color	Weight (g)	Box (pcs)
ZL-1901	316 Stainless Steel	Zwei L	34	8

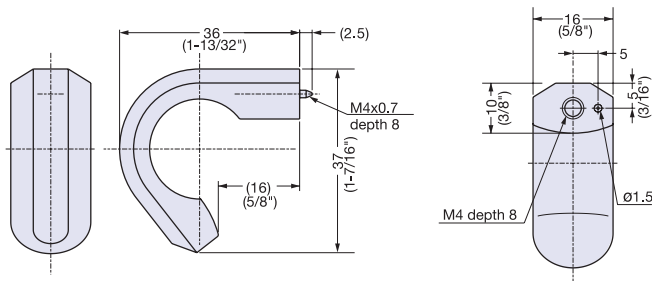
Zwei L Knob



ZL-1902



- Anti-rotation pin is removable.
- Includes 1" long stainless steel screw (M4 × 25).



Item No.	Material	Finish/Color	Weight (g)	Box (pcs)
ZL-1902	316 Stainless Steel	Zwei L	52	8

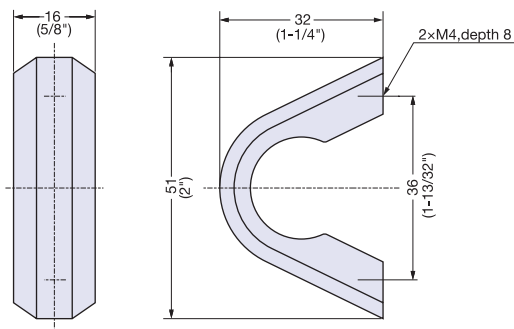
Zwei L Knob



ZL-1903



- Includes 1" long stainless steel screw (M4 × 25).



Item No.	Material	Finish/Color	Weight (g)	Box (pcs)
ZL-1903	316 Stainless Steel	Zwei L	58	8

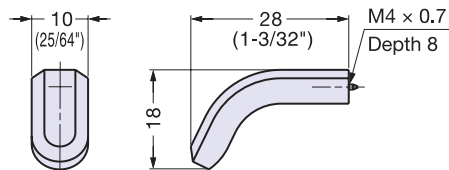
Zwei L Knob



ZL-1904



- Anti-rotation pin is removable.
- Includes 1" long stainless steel screw (M4 × 25).



Item No.	Material	Finish/Color	Weight (g)	Box (pcs)
ZL-1904	316 Stainless Steel	Zwei L	12	8

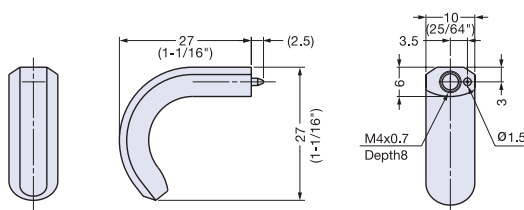
Zwei L Knob



ZL-1905



- Anti-rotation pin is removable.
- Includes 1" long stainless steel screw (M4 × 25).



Item No.	Material	Finish/Color	Weight (g)	Box (pcs)
ZL-1905	316 Stainless Steel	Zwei L	15	8

Zwei L Knob Base



ZL-2302

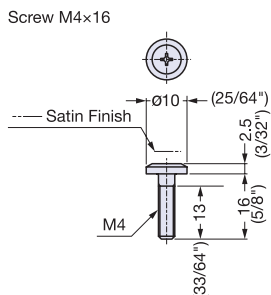
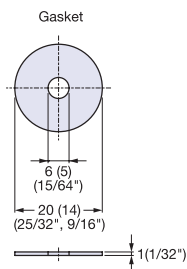
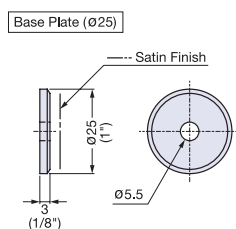
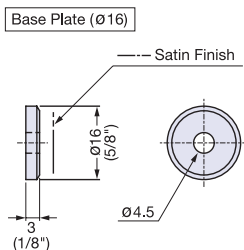


Plate/Screw Set for Knob (ø16)

Item No.	Part Name	Material	Finish/Color	Box (Set)
ZL-2302-1916	Screw (M4 × 16)	Stainless Steel	Zwei L	1
	Base Plate (16)	316 Stainless Steel	Zwei L	
	Gasket (14)	Elastomer	Plain	

Plate/Screw Set for Knob (ø25) *2 gaskets included.

Item No.	Part Name	Material	Finish/Color	Box (Set)
ZL-2302-1925	Screw (M4 × 16)	Stainless Steel	Zwei L	1
	Base Plate (ø16)	316 Stainless Steel	Zwei L	
	Gasket (ø14)	Elastomer	Plain	
	Gasket (ø20)	Elastomer	Plain	

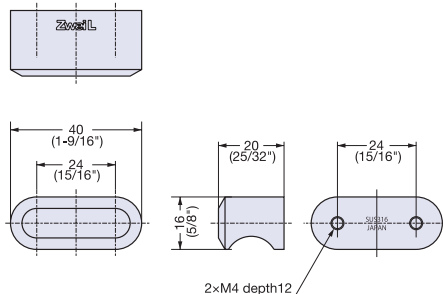


Zwei L Knob

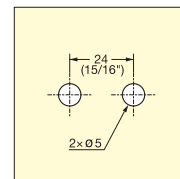
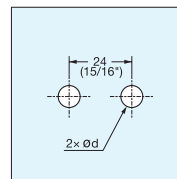


ZL-1907

HANDLES, PULLS & KNOBS



- For use with wood or tempered glass.
- Similar style to ZL-1504 door pulls.
- Includes stainless steel screws.



Glass Thickness:
4 or 5 mm, d = 5
6 mm, d = 6

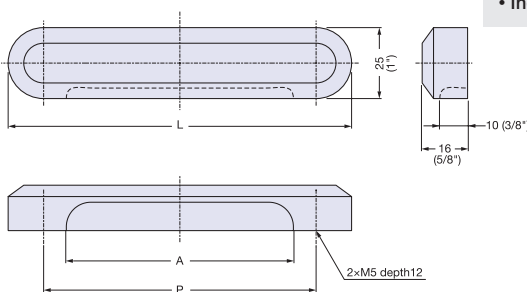
Item No.	Material	Finish/Color	Weight (g)	Box (pcs)	Carton (pcs)
ZL-1907	316 Stainless Steel	Zwei L	78	2	20

Zwei L Knob



ZL-2503

Zwei L KNOBS / BACK TO BACK GLASS DOOR KNOBS



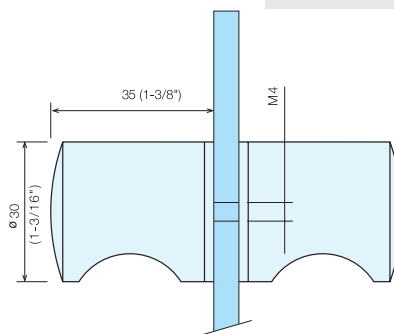
- Similar style to ZL-1505 door pulls.
- Includes stainless steel screws.

Item No.	Material	Finish/Color	L	P	A	Weight (g)	Box (pcs)	Carton (pcs)
ZL-2503-96	316 Stainless Steel	Zwei L	121 (4-3/4")	96 (3-25/32")	84 (3-5/16")	320	4	40
ZL-2503-160			185 (7-9/32")	160 (6-5/16")	148 (5-53/64")	496	2	20

BACK TO BACK GLASS DOOR KNOB



DSI-126D



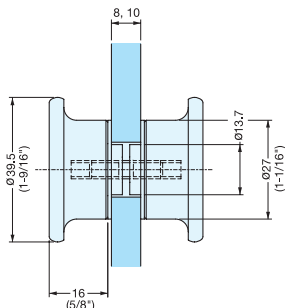
- For glass thickness 8-12 mm (5/16"-1/2").
- For use with tempered glass.

Item No.	Material	Glass Thickness (mm)	Finish	Box (set)
DSI-126D	304 Stainless Steel	8~12	Stain	1

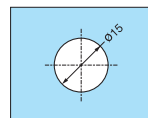
BACK TO BACK GLASS DOOR KNOB



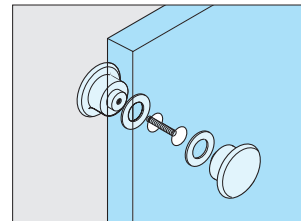
GT-40CR



- Sold as a set. Each set includes: 2 knobs, 2 washers and screw.



Cut out dimension



Item No.	Material	Finish	Glass Thickness (mm)	Weight (g)	Box (sets)	Carton (sets)
GT-40CR	Brass	Chrome	8~10	215	6	48

GLASS DOOR KNOB

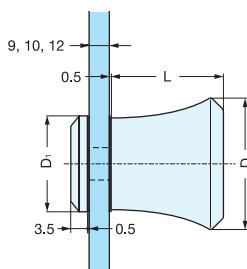


DG-BT

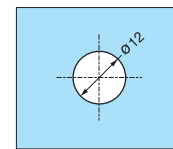


Chrome (CR)

Satin Chrome (SC)



- Sold as a set. Each set includes: knob, backplate, washers and tube.



Cut out dimension

Item No.	D	D1	L	Material Brass	Finish	Glass Thickness (mm)	Weight (g)	Box (set)
DG-BT30-CR	32 (1-1/4")	23.5	26.5	Brass	Chrome	8~12	134	1
DG-BT30-SC					Satin Chrome			
DG-BT40-CR	40 (1-9/16")	26.0	34.5		Chrome		235	
DG-BT40-SC					Satin Chrome			

BACK TO BACK GLASS DOOR KNOB

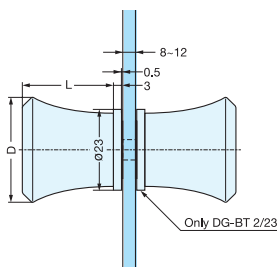


DG-BT2

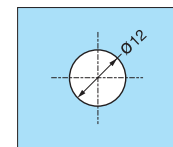


Chrome (CR)

Satin Chrome (SC)



- Sold as a set. Each set includes: 2 knobs, 2 washers and tube.
- Base plate included with model DG-BT2/23 only.



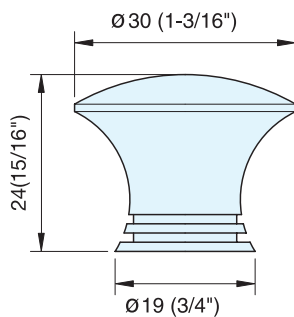
Cut out dimension

Item No.	D	L	Material Brass	Finish	Glass Thickness (mm)	Weight (g)	Box (set)
DG-BT2/23-CR	23.5 (59/64")	23.5	Brass	Chrome	8~12	111	1
DG-BT2/23-SC				Satin Chrome			
DG-BT2/30-CR	32.0 (1-1/4")	34.5		Chrome		230	
DG-BT2/30-SC				Satin Chrome			
DG-BT2/40-CR	40.0 (1-9/16")	34.5	Chrome	447			
DG-BT2/40-SC			Satin Chrome				

KNOB



EY-127

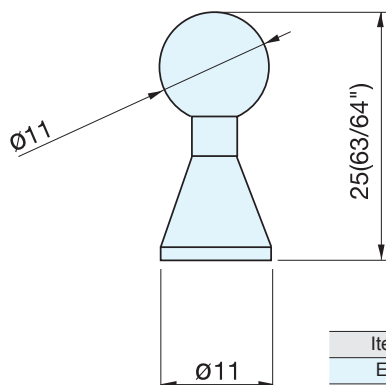


Item No.	Weight (g)	Box (pcs)	Carton (pcs)
EY-127/30	53	25	250
Material		Finish	
304 Stainless Steel		Satin	

KNOB



EY-207

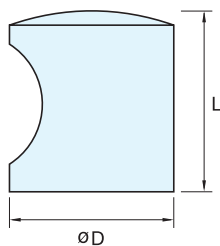
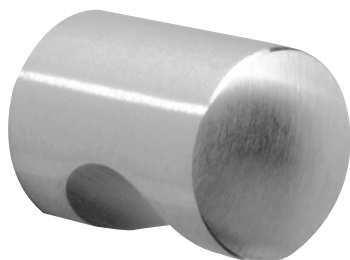


Item No.	Weight (g)	Box (pcs)	Carton (pcs)
EY-207	11	25	250
Material		Finish	
304 Stainless Steel		Satin	

KNOB



EY-301

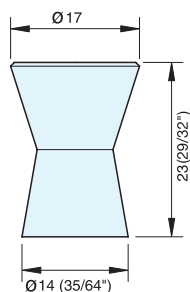
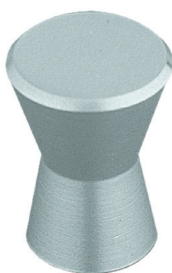


Item No.	D	L	Box (pcs)	Carton (pcs)
EY-301/10	10 (3/8")	24 (15/16")	25	250
EY-301/15	15 (9/16")	26 (1-1/32")		
EY-301/20	20 (3/4")	28 (1-1/8")		
EY-301/25	25 (1")	30 (1-3/16")		
EY-301/30	30 (1-3/16")	28 (1-5/16")		
Material		Finish		
304 Stainless Steel		Satin		

KNOB



EY-320

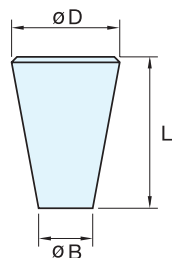
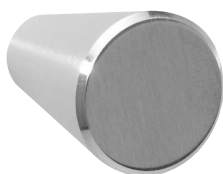


Item No.	Weight (g)	Box (pcs)	Carton (pcs)
EY-320	22	25	250
Material		Finish	
304 Stainless Steel		Satin	

KNOB



DSI-209

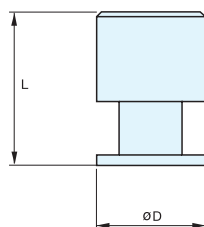


Item No.	D	B	L	Box (pcs)
DSI-209-12	12 (15/32")	7	20 (13/16")	25
DSI-209-16	16 (5/8")	8	26 (1")	
DSI-209-20	20 (25/32")	10	28 (1-1/8")	
DSI-209-24	24 (15/16")	14	29 (1-3/16")	
DSI-209-29	29 (1-1/8")	18	35 (1-3/8")	
Material		Finish		
304 Stainless Steel		Satin		

KNOB



EY-326

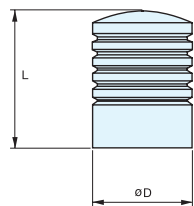


Item No.	D	L	Weight (g)	Box (pcs)	Carton (pcs)
EY-326/20	20 (3/4")	33.0 (1-19/64")	62	25	250
EY-326/25	25 (1")	35.5 (1-25/64")	102		
Material		Finish			
304 Stainless Steel		Satin			

KNOB



EY-327

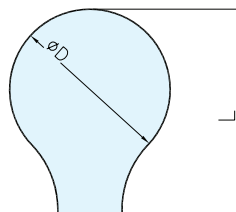


Item No.	D	L	Weight (g)	Box (pcs)	Carton (pcs)
EY-327/20	20 (3/4")	33.0 (1-19/64")	105	25	250
EY-327/25	25 (1")	35.5 (1-25/64")	125		
Material		Finish			
304 Stainless Steel		Satin			

KNOB



EY-338



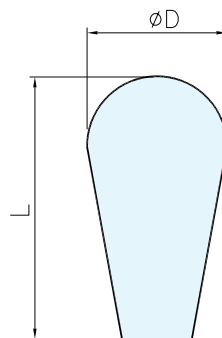
Item No.	D	L	Weight (g)	Box (pcs)	Carton (pcs)
EY-338/20	20 (3/4")	26	40	25	250
EY-338/25	25 (1")	32	75		

Material	Finish
304 Stainless Steel	Satin

KNOB



EY-339

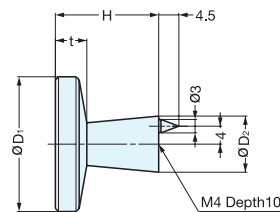
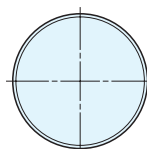


Item No.	D	L	Weight (g)	Box (pcs)	Carton (pcs)
EY-339/20	20 (3/4")	37.5	125	25	250
EY-339/25	25 (1")	41.5	226		

Material	Finish
304 Stainless Steel	Satin

KNOB

TS



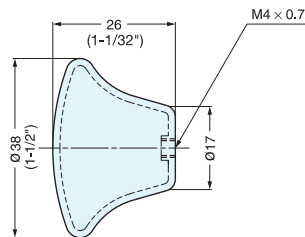
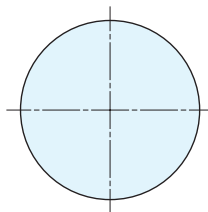
Item No.	D ₁	D ₂	H	t	Weight (g)	Box (pcs)	Carton (pcs)
TS-25	25	14.5	23	6.7	36	50	200
TS-30	30				47		
TS-36	36	15.0	24	7.5	70	30	120

Material	Finish
Brass	Satin Nickel

KNOB



RS-38



Item No.	Weight (g)	Box (pcs)	Carton (pcs)	Material	Finish
RS-38/S	20	20	200	304 Stainless Steel	Satin

KNOB



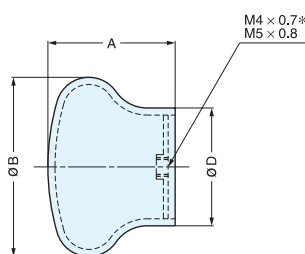
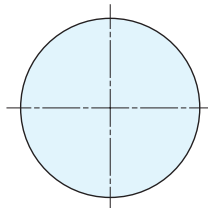
RSS



Satin



Mirror



Material	Finish
304 Stainless Steel	Mirror (M) Satin (S)

Item No.	A	B	D	Weight (g)	Box (pcs)	Carton (pcs)	Screw
RSS-25/M*	RSS-25/S*	22 (55/64")	25 (63/64")	18	8.5	20	200
RSS-30/M*	RSS-30/S*	23 (29/32")	30 (1-3/16")	20	11.0		
RSS-38/M	RSS-38/S	27 (1-1/16")	38 (1-1/2")	25	16.0		
RSS-50/M	RSS-50/S	34 (1-11/32")	50 (1-31/32")	35	30.0		M5 x 30

KNOB



DJ-22



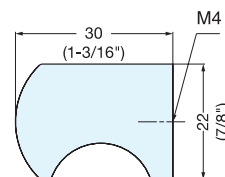
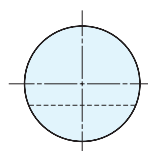
PB



CR



SN



Please specify the finish when ordering.

Item No.	Weight (g)	Box (pcs)	Carton (pcs)
DJ-22	80	20	200

Material	Finish
Brass	Satin Nickel (SN) Chrome (CR) Polished Brass (PB)

KNOB



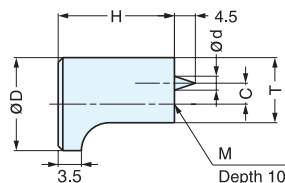
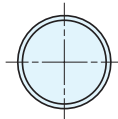
GLA



SN



CR



Please specify the finish when ordering.

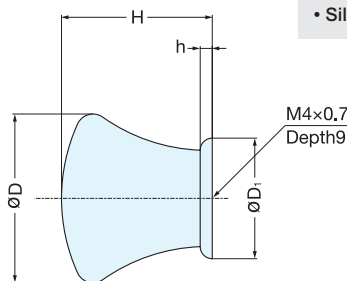
Material	Finish
Brass	Satin Nickel (SN) Chrome (CR)

Item No.	D	H	T	C	d	M	Weight (g)	Box (pcs)	Carton (pcs)	Screw
GLA-12	12 (15/32")	18 (45/64")	8.5 (21/64")	3.5	3	M3 × 0.5	14	50	500	M3 × 25
GLA-16	16 (5/8")	22 (55/64")	11.0 (7/16")	4.0		M4 × 0.7	29	40	400	M4 × 25
GLA-20	20 (25/32")	25 (63/64")	14.0 (11/64")	4.5		M4 × 0.7	52			

KNOB



KK-T



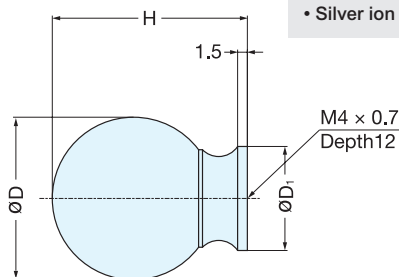
• Silver ion coated handle.

Item No.	Material	Finish	D	D ₁	H	h	Weight (g)	Box (pcs)	Carton (pcs)
KK-T24SNI	Aluminum Alloy	Nickel + Silver Ion Coating	24 (15/16")	16	23 (29/32")	1.5	10	25	200
KK-T24SSG		Satin Gold + Silver Ion Coating							
KK-T24SBR		Brown + Silver Ion Coating							
KK-T28SNI		Nickel + Silver Ion Coating	28 (1-3/32")	20	26 (1-1/32")	2.0	20		
KK-T28SSG		Satin Gold + Silver Ion Coating							
KK-T28SBR		Brown + Silver Ion Coating							

KNOB



KK-B



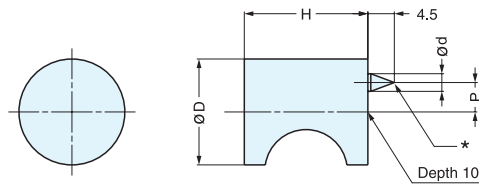
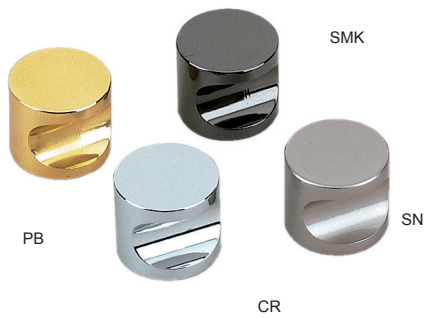
• Silver ion coated handle.

Item No.	Material	Finish	D	D ₁	H	Weight (g)	Box (pcs)	Carton (pcs)
KK-B20SNI	Aluminum Alloy	Nickel + Silver Ion Coating	20 (25/32")	13	26 (1-1/32")	10	25	200
KK-B20SSG		Satin Gold + Silver Ion Coating						
KK-B20SBR		Brown + Silver Ion Coating						
KK-B25SNI		Nickel + Silver Ion Coating	25 (63/64")	16	30 (1-3/16")	25		
KK-B25SSG		Satin Gold + Silver Ion Coating						
KK-B25 SBR		Brown + Silver Ion Coating						

KNOB



MRB



*MRB-L No anti-rotation pin.

Please specify the finish when ordering.

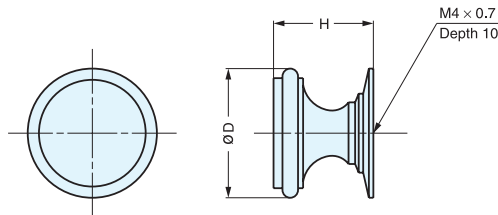
Material	Finish
Brass	Chrome (CR)
	Polished Brass (PB)/(MRB-L only)
	Smoke (SMK)/(MRB-L only)
	Satin Nickel (SN)

Item No.	D	H	P	d	Weight (g)	Box (pcs)	Carton (pcs)	Screw
MRB-S	18 (45/64")	21 (53/64")	5	3	38	30	300	M4 × 25
MRB-L	24 (15/16")		-	-	70			#8-32 × 1

KNOB



SY



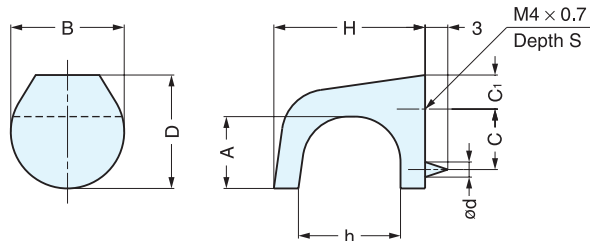
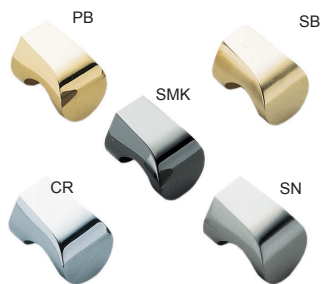
Please specify the finish when ordering.

Item No.	D	H	Weight (g)	Box (pcs)	Carton (pcs)	Material	Finish
SY-16	16 (5/8")	15 (19/32")	10	40	400	Brass	Polished Brass (PB)
SY-22	22 (7/8")	17 (43/64")	21	30	300		Satin Nickel (SN)

KNOB



MKZ



Please specify the finish when ordering.

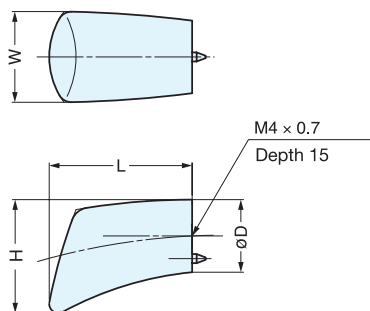
Material	Finish
Zinc Alloy	Chrome (CR), Polished Brass (PB), Smoke (SMK), Satin Brass (SB), Satin Nickel (SN)

Item No.	D	A	B	H	h	C	C ₁	d	S	Weight (g)	Box (pcs)	Carton (pcs)
MKZ-S	15	9.5	15 (19/32")	20	13.5	8	4.5	2	6	11	50	500
MKZ-L	21	12.5	20 (25/32")	26	17.0	11			7	29		

PULL (GOLD PLATED)



TMT



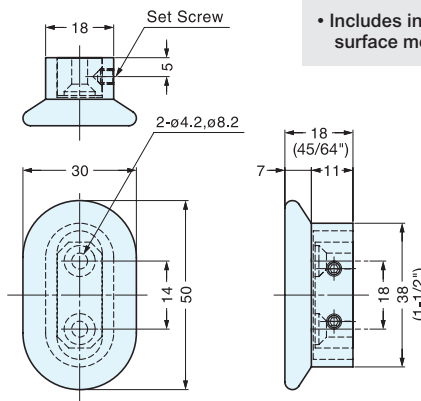
Item No.	W	L	D	H	Weight (g)	Box (pcs)	Carton (pcs)
TMT-16	16	25.0 (63/64")	12.5	20	31	1	10
TMT-20	20	31.5 (15/64")	16.0	25	64		

Material	Finish
Brass	24K Gold Plating

KNOB



DW-50N



• Includes insert block and set screw for surface mounting.

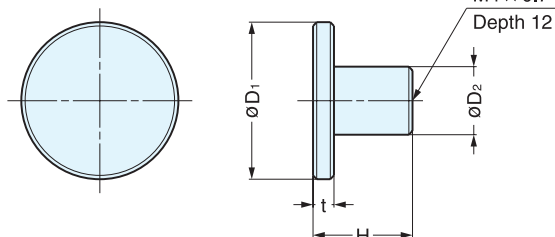
Item No.	Weight (g)	Box (pcs)	Carton (pcs)
DW-50N	130	20	100

Material	Finish
Brass	Matte Chrome

KNOB



A SERIES



Material	Finish
Aluminum	Anodized

Item No.	D ₁	H	D ₂	t	Weight (g)	Box (pcs)	Carton (pcs)
A-861	20 (25/32")	18.0 (45/64")	10	4.0	5.0	48	1152
A-862	25 (63/64")	18.5 (47/64")	11	4.5	8.5		
A-863	30 (1-3/16")	19.0 (3/4")	12	5.0	15.0		
A-864	35 (1-3/8")		13		16.5	24	576



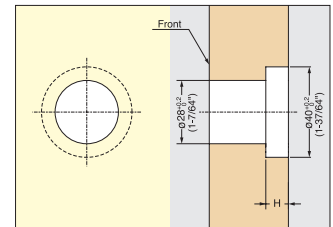
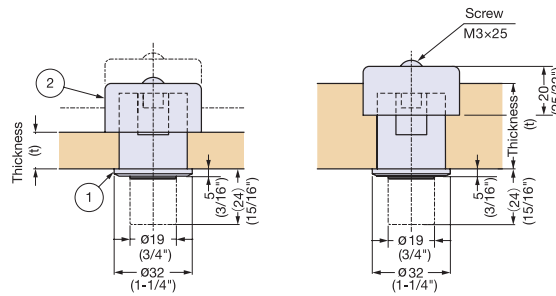
Zwei L Push Knob



ZL-1908



• Includes stainless steel screw.



Cut Out Dimensions

Item No.	No.	Part Name	Material	Finish/Color
ZL-1908	①	Push Knob (Base Included)	316 Stainless Steel	Zwei L
	②	Body	ABS	Black
	③	Case	Zinc Alloy, ABS	Black

Door Thickness (t)	Counterbore Depth (H)
13~23 mm (33/64"~29/32")	0
24~33 mm (61/64"~1-19/64")	Door Thickness-23

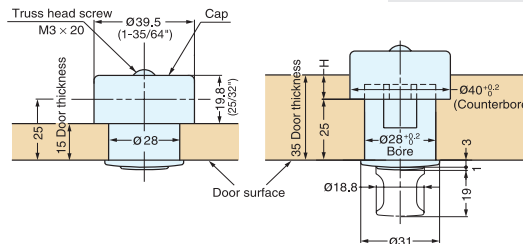
PUSH KNOB



PK-03



- Knob can be pushed in when not in use.
- For door thickness 15~25 mm. (19/32"~1")
- Can be used on thickness up to 35 mm (1-3/8") by counterboring.
- Similar style to push knob latches PKL-08 (P.136).



Material	Finish/Color
Zinc Alloy	Black Nickel (BN)
	Chrome (CR)
ABS	Gold (GA)
	Black

Item No.	Finish	Weight (g)	Box (pcs)	Carton (pcs)
PK-03/GA	Gold	67	20	200
PK-03/CR	Chrome			
PK-03/BN	Black Nickel			

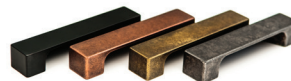
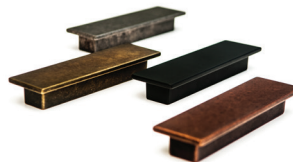
Door Thickness	H (Counterbore)
15~25 mm	None
26~35 mm	H = Door Thickness-25

ESOR



ESOR is a small foundry that specializes in making decorative handles born out of deep Basque tradition of metal working.

ESOR's contemporary designed products are hand crafted with a manual production process by which each piece is manipulated until the entire surface is smooth and visually attractive.



HANDLE



ES-Z006-192

- Sleek brushed finish with contemporary style.
- Smooth to the touch.



Dark Bronze



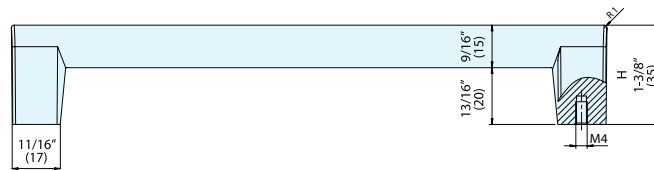
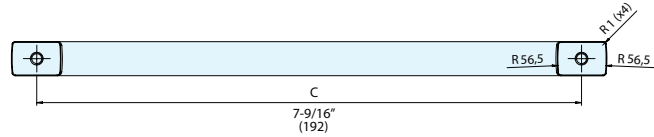
White Bronze



Matte Antique Brass



Matte Antique Copper



Item No.	C	H	Weight (g)	Box (pcs)	Carton (pcs)
ES-Z006-192/WB	7-9/16" (192)	1-3/8" (35)	260	10	200
ES-Z006-192/DB					
ES-Z006-192/AB					
ES-Z006-192/AC					

Material	Finish
Zinc Alloy	White Bronze (WB), Dark Bronze (DB), Matte Antique Brass (AB), Matte Antique Copper (AC)

HANDLE



ES-Z401-128

- Organic shaped handle with rustic finish.
- Handcrafted, smooth to the touch.



Matte Antique Brass



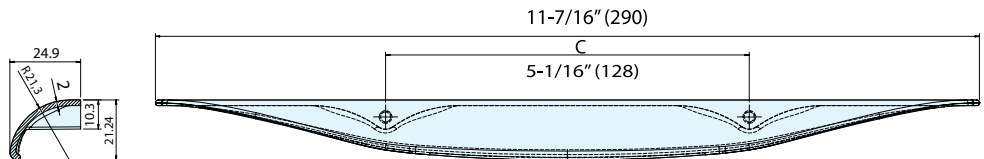
Dark Bronze



White Bronze



Matte Antique Copper



Item No.	L	C	Weight (g)	Box (pcs)	Carton (pcs)
ES-Z401-128/WB	11-7/16" (290)	5-1/16" (128)	131	10	200
ES-Z401-128/DB					
ES-Z401-128/AB					
ES-Z401-128/AC					

Material	Finish
Zinc Alloy	White Bronze (WB), Dark Bronze (DB), Matte Antique Brass (AB), Matte Antique Copper (AC)

KNOB

ES-Z201-33



Matte Antique Copper



- Rustic finishes to a modern knob.
- Smooth finishes.



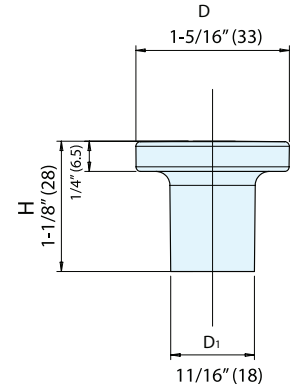
Dark Bronze



Matte Antique Brass



White Bronze



Item No.	H	D	D1	Weight (g)	Box (pcs)	Carton (pcs)
ES-Z201-33/WB	1-1/8" (28)	1-5/16" (33)	11/16" (18)	62	25	200
ES-Z201-33/DB						
ES-Z201-33/AB						
ES-Z201-33/AC						

Material	Finish
Zinc Alloy	White Bronze (WB), Dark Bronze (DB), Matte Antique Brass (AB), Matte Antique Copper (AC)

HANDLE

ES-Z402-128



Matte Antique Brass



- Bold, block design.
- Detailed, rustic finish.



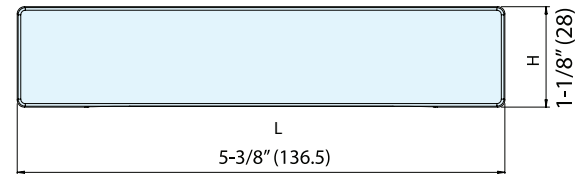
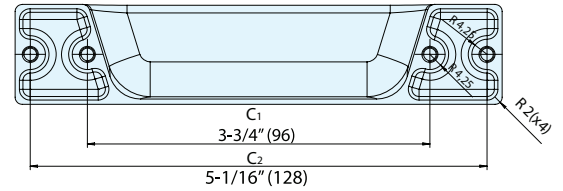
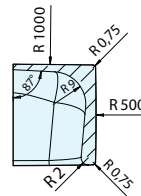
Dark Bronze



White Bronze



Matte Antique Copper



Item No.	L	C1	C2	H	Weight (g)	Box (pcs)	Carton (pcs)
ES-Z402-128/WB	5-3/8" (136.5)	3-3/4" (96)	5-1/16" (128)	1-1/8" (28)	184	15	200
ES-Z402-128/DB							
ES-Z402-128/AB							
ES-Z402-128/AC							

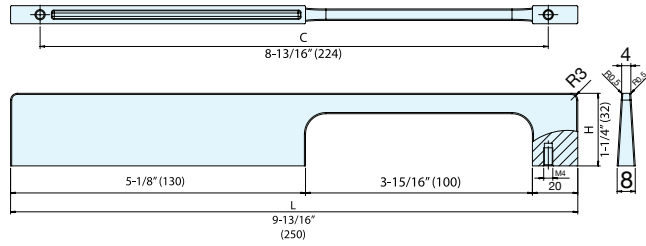
Material	Finish
Zinc Alloy	White Bronze (WB), Dark Bronze (DB), Matte Antique Brass (AB), Matte Antique Copper (AC)

HANDLE



ES-Z002-224

- Unique design with sleek edges.
- Rustic finish.



Item No.	L	C	H	Weight (g)	Box (pcs)	Carton (pcs)
ES-Z002-224/WB	9-13/16" (250)	8-13/16" (224)	1-1/4" (32)	143	10	200
ES-Z002-224/DB						
ES-Z002-224/AB						
ES-Z002-224/AC						

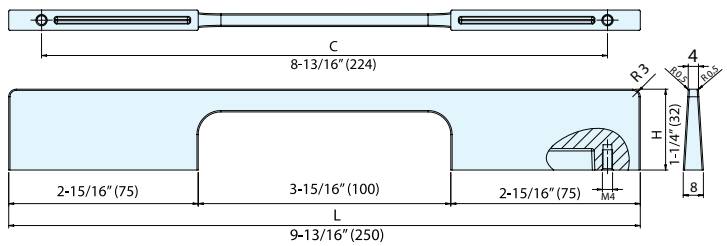
Material	Finish
Zinc Alloy	White Bronze (WB), Dark Bronze (DB), Matte Antique Brass (AB), Matte Antique Copper (AC)

HANDLE



ES-Z001-224

- Modern feel.
- Smooth to the touch.



Item No.	L	C	H	Weight (g)	Box (pcs)	Carton (pcs)
ES-Z001-224/WB	9-13/16" (250)	8-13/16" (224)	1-1/4" (32)	143	10	200
ES-Z001-224/DB						
ES-Z001-224/AB						
ES-Z001-224/AC						

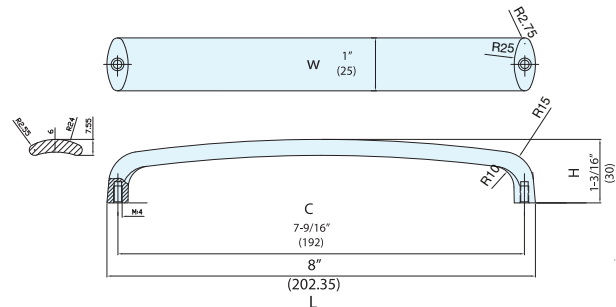
Material	Finish
Zinc Alloy	White Bronze (WB), Dark Bronze (DB), Matte Antique Brass (AB), Matte Antique Copper (AC)

HANDLE



ES-Z005-192

- Contemporary, rustic finish.
- Smooth to the touch.



Item No.	L	C	H	W	Weight (g)	Box (pcs)	Carton (pcs)
ES-Z005-192/WB	8" (202.35)	7-9/16" (192)	1-3/16" (30)	1" (25)	207	15	200
ES-Z005-192/DB							
ES-Z005-192/AB							
ES-Z005-192/AC							

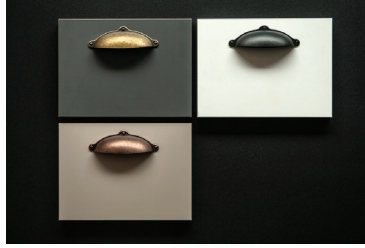
Material	Finish
Zinc Alloy	White Bronze (WB), Dark Bronze (DB), Matte Antique Brass (AB), Matte Antique Copper (AC)

HANDLE

ES-Z405-64



White Bronze



Dark Bronze

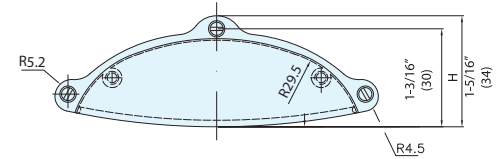
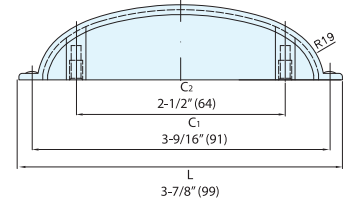


Matte Antique Brass



Matte Antique Copper

- Handle pull with a vintage style.
- Bold designs with rustic finish.



Item No.	L	C1	C2	H	Weight (g)	Box (pcs)	Carton (pcs)
ES-Z405-64/WB	3-7/8" (99)	3-9/16" (91)	2-1/2" (64)	1-5/16" (34)	37	25	200
ES-Z405-64/DB							
ES-Z405-64/AB							
ES-Z405-64/AC							

Material	Finish
Zinc Alloy	White Bronze (WB), Dark Bronze (DB), Matte Antique Brass (AB), Matte Antique Copper (AC)

HANDLE

ES-A401-41



Matte Antique Brass



- Contemporary style with a vintage finish.



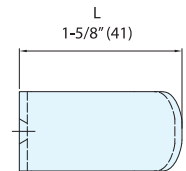
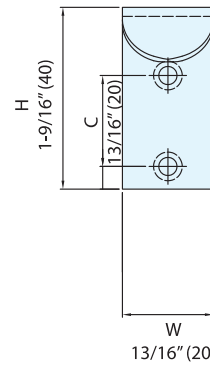
Dark Bronze



White Bronze



Matte Antique Copper



Item No.	L	C	H	W	Weight (g)	Box (pcs)	Carton (pcs)
ES-A401-41/WB	1-5/8" (41)	13/16" (20)	1-9/16" (40)	13/16" (20)	22	25	200
ES-A401-41/DB							
ES-A401-41/AB							
ES-A401-41/AC							

Material	Finish
Zinc Alloy	White Bronze (WB), Dark Bronze (DB), Matte Antique Brass (AB), Matte Antique Copper (AC)

HANDLE



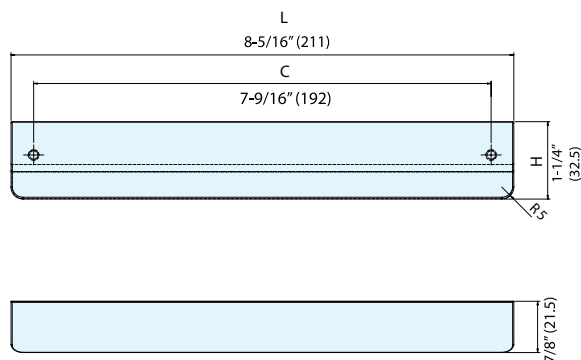
ES-Z404-192



Matte Antique Copper



- Contemporary, bold style.
- Smooth to the touch.



Dark Bronze



Matte Antique Brass



White Bronze

Item No.	L	C	H	Weight (g)	Box (pcs)	Carton (pcs)
ES-Z404-192/WB	8-5/16" (211)	7-9/16" (192)	1-1/4" (32.5)	250	15	200
ES-Z404-192/DB						
ES-Z404-192/AB						
ES-Z404-192/AC						

Material	Finish
Zinc Alloy	White Bronze (WB), Dark Bronze (DB), Matte Antique Brass (AB), Matte Antique Copper (AC)

HANDLE



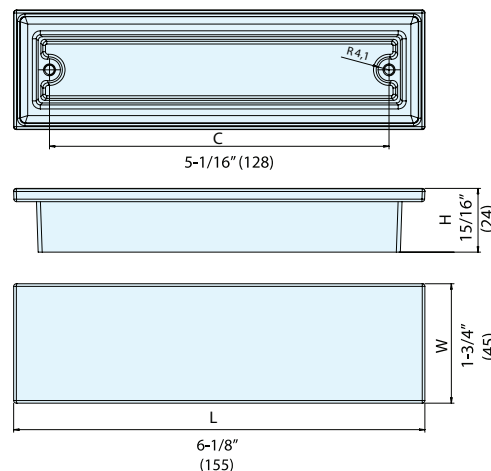
ES-Z403-128



Dark Bronze



- Bold, rectangular shape with an antique finish.



White Bronze



Matte Antique Brass



Matte Antique Copper

Item No.	L	C	H	W	Weight (g)	Box (pcs)	Carton (pcs)
ES-Z403-128/WB	6-1/8" (155)	5-1/16" (128)	15/16" (24)	1-3/4" (45)	207	10	200
ES-Z403-128/DB							
ES-Z403-128/AB							
ES-Z403-128/AC							

Material	Finish
Zinc Alloy	White Bronze (WB), Dark Bronze (DB), Matte Antique Brass (AB), Matte Antique Copper (AC)

HANDLE

ES-Z004-160

• Contemporary, rustic finish.



Matte Antique Brass



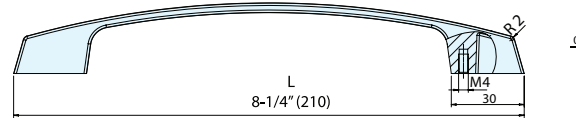
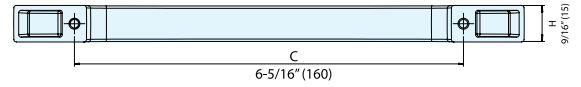
Dark Bronze



White Bronze



Matte Antique Copper



Item No.	L	C	H	Weight (g)	Box (pcs)	Carton (pcs)
ES-Z004-160/WB	8-1/4" (210)	6-5/16" (160)	9/16" (15)	125	15	200
ES-Z004-160/DB						
ES-Z004-160/AB						
ES-Z004-160/AC						

Material	Finish
Zinc Alloy	White Bronze (WB), Dark Bronze (DB), Matte Antique Brass (AB), Matte Antique Copper (AC)

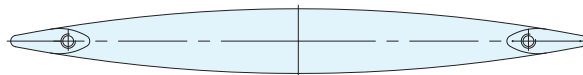
HANDLE

ES-Z008-128

• Rounded handle pull with smooth finish.



Dark Bronze



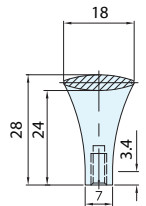
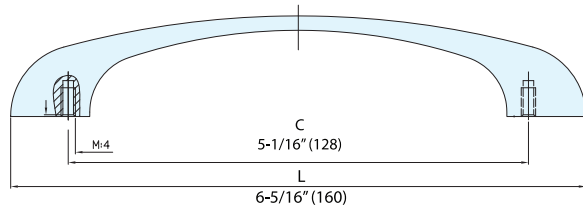
White Bronze



Matte Antique Brass



Matte Antique Copper



Item No.	L	C	Weight (g)	Box (pcs)	Carton (pcs)
ES-Z008-128/WB	6-5/16" (160)	5-1/16" (128)	88	25	200
ES-Z008-128/DB					
ES-Z008-128/AB					
ES-Z008-128/AC					

Material	Finish
Zinc Alloy	White Bronze (WB), Dark Bronze (DB), Matte Antique Brass (AB), Matte Antique Copper (AC)

HANDLE



ES-Z009-96

- Unique, handcrafted handles.
- Antique finishes.



Matte Antique Copper



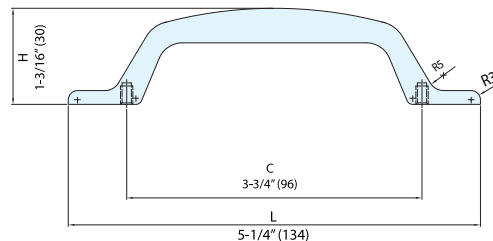
Dark Bronze



Matte Antique Brass



White Bronze



Item No.	L	C	H	Weight (g)	Box (pcs)	Carton (pcs)
ES-Z009-96/WB	5-1/4" (134)	3-3/4" (96)	1-3/16" (30)	90	20	200
ES-Z009-96/DB						
ES-Z009-96/AB						
ES-Z009-96/AC						

Material	Finish
Zinc Alloy	White Bronze (WB), Dark Bronze (DB), Matte Antique Brass (AB), Matte Antique Copper (AC)

HANDLE



ES-Z003-224

- Detailed, sharp-lined design.
- Smooth to the touch.



White Bronze



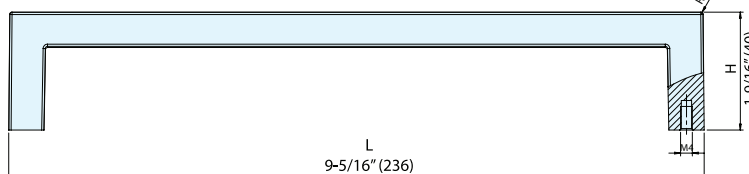
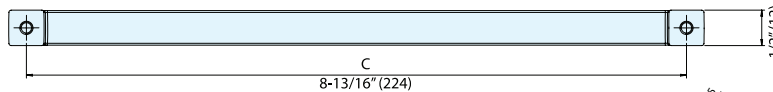
Dark Bronze



Matte Antique Brass



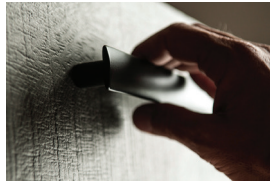
Matte Antique Copper



Item No.	L	C	H	Weight (g)	Box (pcs)	Carton (pcs)
ES-Z003-224/WB	9-5/16" (236)	8-13/16" (224)	1-9/16" (40)	260	10	200
ES-Z003-224/DB						
ES-Z003-224/AB						
ES-Z003-224/AC						

Material	Finish
Zinc Alloy	White Bronze (WB), Dark Bronze (DB), Matte Antique Brass (AB), Matte Antique Copper (AC)

HANDLE

ES-Z007-160


- Classic shaped handle.
- Smooth, handcrafted finish.

Matte Antique Brass



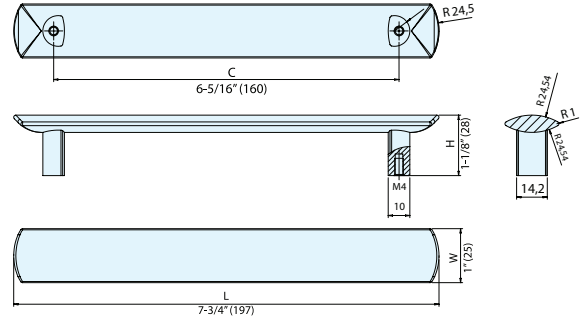
Dark Bronze



White Bronze



Matte Antique Copper



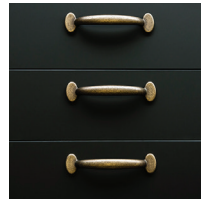
Item No.	L	C	H	W	Weight (g)	Box (pcs)	Carton (pcs)
ES-Z007-160/WB	7-3/4" (197)	6-5/16" (160)	1-1/8" (28)	1" (25)	210	15	200
ES-Z007-160/DB							
ES-Z007-160/AB							
ES-Z007-160/AC							

Material	Finish
Zinc Alloy	White Bronze (WB), Dark Bronze (DB), Matte Antique Brass (AB), Matte Antique Copper (AC)

HANDLE

ES-Z010-96


Matte Antique Copper



- Bold design for the modern style.
- Rustic, smooth finish.



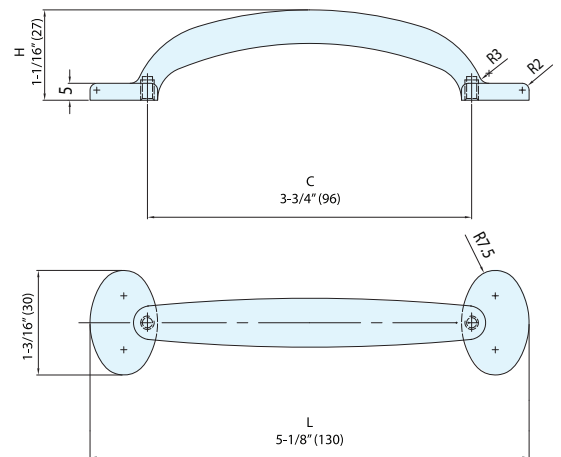
Dark Bronze



Matte Antique Brass



White Bronze



Item No.	L	C	H	Weight (g)	Box (pcs)	Carton (pcs)
ES-Z010-096/WB	5-1/8" (130)	3-3/4" (96)	1-1/16" (27)	97	20	200
ES-Z010-096/DB						
ES-Z010-096/AB						
ES-Z010-096/AC						

Material	Finish
Zinc Alloy	White Bronze (WB), Dark Bronze (DB), Matte Antique Brass (AB), Matte Antique Copper (AC)