



CASTERS & LEVELING GLIDES

TWIN WHEEL CASTERS
DUAL BRAKE SYSTEM CASTERS
LOW PROFILE HEAVY DUTY CASTERS
CASTER WITH LEVELING GLIDES
LEVELING GLIDES
ACCESSORIES

TWIN WHEEL CASTERS

Picture	Item No.	Load Capacity	Wheel Diameter	Page
	FA-45-PS, P (PLATE)	110 (lbs)	1-57/64"	644
	FP-45-PS, P (PLATE)	88 (lbs)	1-57/64"	644
	FP-45-NS, N (THREADED BOLT)	88 (lbs)	1-57/64"	645
	FP-55-PS, P (THREADED BOLT)	110 (lbs)	2-3/32"	645
	FAU-55-NS, N (THREADED BOLT)	154 (lbs)	2-3/32"	646
	GX-75-PS, P (PLATE)	438 (lbs)	2-61/64"	647
	GX-W50K (NON-SWIVEL)	441 (lbs)	1-31/32"	647
	GX-W50GN12, GN16, GP (THREADED BOLT & PLATE)	441 (lbs)	1-31/32"	647
	GX-50-PS, P (PLATE)	220 (lbs)	1-31/32"	648
	GX-50-N12S, N12 (THREADED BOLT)	220 (lbs)	1-31/32"	648
	GX-60-PS, P (PLATE)	330 (lbs)	2-23/64"	649
	GX-60-N12S, N12 (THREADED BOLT)	330 (lbs)	2-23/64"	649

SINGLE WHEEL CASTERS

Picture	Item No.	Load Capacity	Wheel Diameter	Page
	PLN50P (PLATE)	176 (lbs)	1-31/32"	646
	PLN50N10 (PLATE)	176 (lbs)	1-31/32"	646

DUAL BRAKE SYSTEM CASTERS

Picture	Item No.	Load Capacity	Wheel Diameter	Page
	EX-100PS, P (PLATE)	220 (lbs)	3-15/16"	650
	EX-100N (THREADED BOLT)	220 (lbs)	3-15/16"	650
	MX-125PS, P (PLATE)	264 (lbs)	4-15/16"	651
	MX-125N (THREADED BOLT)	264 (lbs)	4-15/16"	651























LOW PROFILE HEAVY DUTY CASTERS

Picture	Item No.	Load Capacity	Wheel Diameter	Page
	UHG (PLATE)	898~1795 (lbs)	1-31/32" ~3-15/16"	652
	HG (PLATE)	359~719 (lbs)	1-31/32" ~2-61/64"	652
	HR (NON-SWIVEL)	359~561 (lbs)	1-31/32" ~2-61/64"	653





CASTER WITH LEVELING GLIDES

Picture	Item No.	Load Capacity	Wheel Diameter	Page
	AF-50, 60 (HEAVY DUTY)	561 (lbs)	1-31/32" ~2-9/16"	654
	CA (PARTS SEPARABLE)	132~264 (lbs)	1-31/32" ~2-61/64"	655

LEVELING GLIDES

Picture	Item No.	Load Capacity (lbs)	Height	Page
	ADPS  	660~1938	3" ~8-5/16"	656
	ADCS  	660~1938	5-45/64"~8-17/64"	656
	MKP 	264~352	1-27/64"~1-15/32"	657
	MKPS   	440~881	1-27/64"~2-1/32"	657
	MKR (W/RUBBER PAD) 	88~132	1-27/64"~1-15/32"	658
	MKRS (W/RUBBER PAD)  	88~220	1-27/64"~2-1/32"	659
	MKPLS (LONG STEM)  	440~748	3-13/16"~3-15/16"	660
	MKRLS (LONG STEM)   	176~220	3-13/16"~3-15/16"	660
	MN  	264~352	1-37/64"~1-31/32"	661
	RP 	132~1368	1-7/32"~2-5/8"	661
	TG 	220~396	53/64"~1-1/32"	662
	TN 	308	3-3/16"~3-1/4"	663
	EA (PARTS SEPARABLE) 	110~594	1-7/32"~2-1/64"	663
	SAJ30 (AUTOMATIC HEIGHT ADJUSTING)	110	1-19/64"~1-47/64"	664
	MKR-N	132~176	1-13/32"~2-3/8"	665
	MKR-N32	100	1-7/8"	665
	MDSF	4pcs:450~1687	2-5/8"~5-11/16"	666

ACCESSORIES

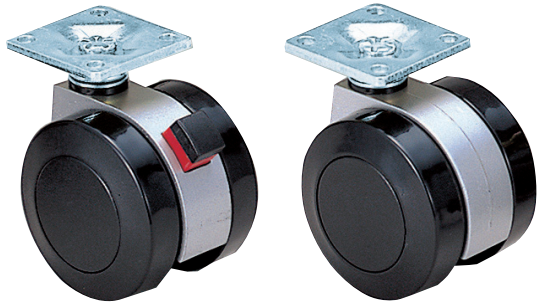
Picture	Item No.	Load Capacity (lbs)	Thread Size	Page
	AD-438 	110	M8	667
	AP-36  	-	W3/8, M8, M10, M12	667
	KD-555 	-	W5/16, W3/8, W1/2, M10	667

TWIN WHEEL CASTER (PLATE TYPE)



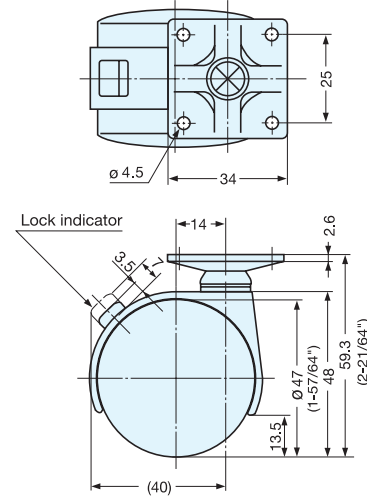
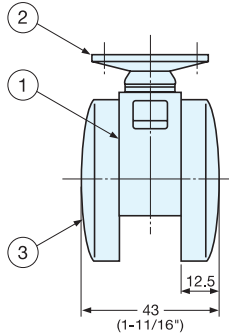
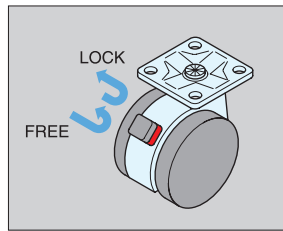
FA-45-PS, P

• Light & durable aluminum body construction.



FA-45-PS
(w/ Brake)

FA-45-P
(w/o Brake)



Item No.	Load Capacity (kg)	Weight (g)	Box (pcs)	Carton (pcs)
FA-45-PS	50 (110 lbs)	117	4	100
FA-45-P	50 (110 lbs)	113		

No.	Part Name	Material	Finish
①	Body	Aluminum Alloy	Silver
②	Mounting Plate	Steel	Yellow Zinc Chromate
③	Wheel	Polyamide	Black

TWIN WHEEL CASTER (PLATE TYPE)



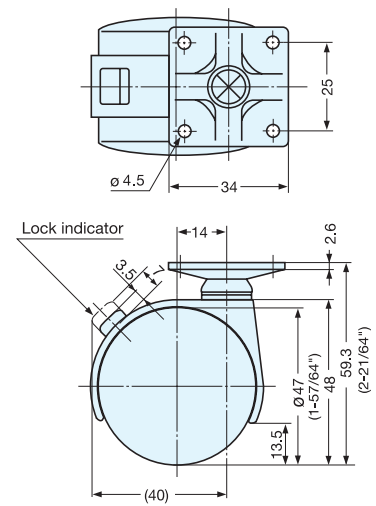
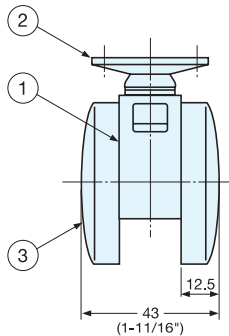
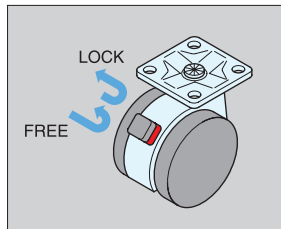
FP-45-PS, P

• Caster with high quality polyamide body.
Excellent durability, chemical / weather / wear resistance.



FP-45-PS
(w/ Brake)

FP-45-P
(w/o Brake)



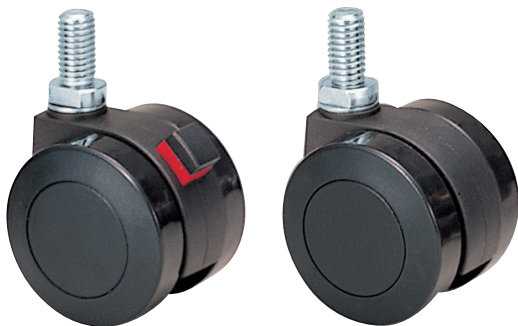
Item No.	Load Capacity (kg)	Weight (g)	Box (pcs)	Carton (pcs)
FP-45-PS	40 (88 lbs)	98	4	100
FP-45-P	40 (88 lbs)	94		

No.	Part Name	Material	Finish
①	Body	Polyamide	Black
②	Mounting Plate	Steel	Yellow Zinc Chromate
③	Wheel	Polyamide	Black

TWIN WHEEL CASTER (THREADED BOLT TYPE)



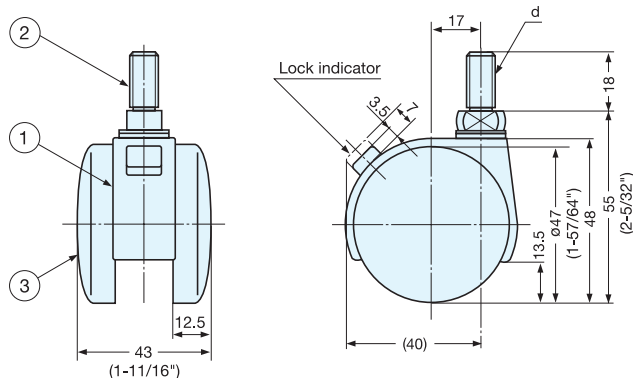
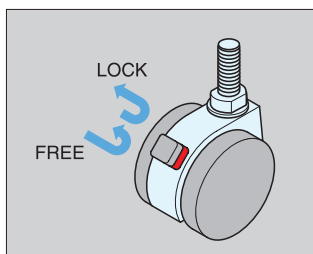
FP-45-NS, N



FP-45-NS
(w/ Brake)

FP-45-N
(w/o Brake)

• Caster with high quality polyamide body. Excellent durability, chemical/weather/wear resistance.



Item No.	d	Load Capacity (kg)	Weight (g)	Box (pcs)	Carton (pcs)
FP-45-NS	W3/8-16UNC	40 (88 lbs)	84	4	100
FP-45-N	W3/8-16UNC	40 (88 lbs)	79		

No.	Part Name	Material	Finish
①	Body	Polyamide	Black
②	Threaded Bolt	Steel	Yellow Zinc Chromate
③	Wheel	Polyamide	Black

TWIN WHEEL CASTER (PLATE TYPE)



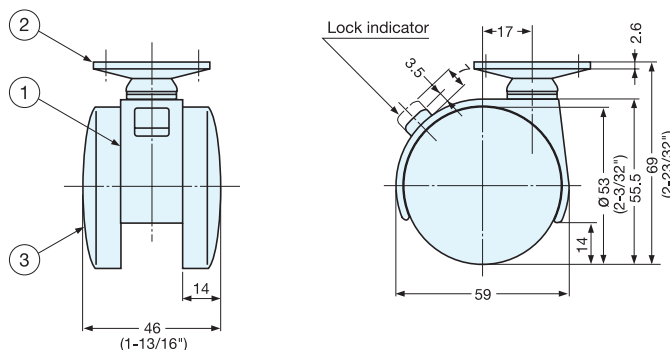
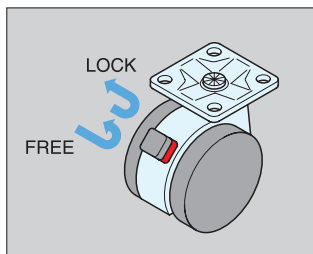
FP-55-PS, P



FP-55-PS
(w/ Brake)

FP-55-P
(w/o Brake)

• Caster with high quality polyamide body. Excellent durability, chemical/weather/wear resistance.



Item No.	Load Capacity (kg)	Weight (g)	Box (pcs)	Carton (pcs)
FP-55-PS	50 (110 lbs)	133	4	72
FP-55-P	50 (110 lbs)	128		

No.	Part Name	Material	Finish
①	Body	Polyamide	Black
②	Mounting Plate	Steel	Yellow Zinc Chromate
③	Wheel	Polyamide	Black

TWIN WHEEL CASTER (THREADED BOLT TYPE)



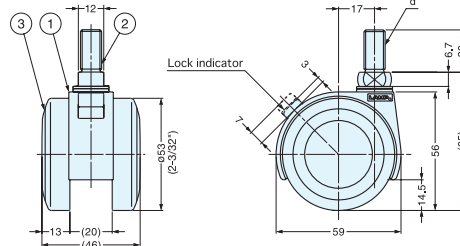
FAU-55-NS, N



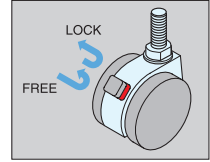
FAU-55-N
(w/o Brake)



FAU-55-NS
(w/ Brake)



- Wheels are covered with elastomer (rubber) for smooth and quiet movement, by absorbing vibration.
- Light & durable aluminum body construction.



No.	Part Name	Material	Finish
①	Body	Aluminum Alloy	Silver
②	Threaded Bolt	Steel	Yellow Zinc Chromate
③	Wheel	Polyamide, Elastomer	Black

Item No.	d	Load Capacity (kg)	Weight (g)	Box (pcs)	Carton (pcs)
FAU-55-NS	W3/8-16UNC	70 (154 lbs)	155	4	72
FAU-55-N	W3/8-16UNC	70 (154 lbs)	151		

CASTER (PLATE TYPE)



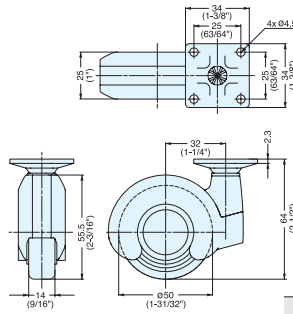
PLN50P



PLN50PCR



PLN50PBL



- Sleek contemporary design, available in Black (BL) or Chrome (CR)
- Ball-bearing type caster for exceptionally smooth movement.

Part Name	Material	Finish
Body	Zinc Alloy	BL=Black, CR=Chrome
Plate	Steel	Yellow Zinc Chromate
Wheel	Polyamide	Black

Item No.	Load Capacity (kg)	Weight (g)	Box (pcs)	Carton (pcs)
PLN50PBL	80 (176 lbs)	220	1	28
PLN50PCR				

CASTER (THREADED BOLT TYPE)



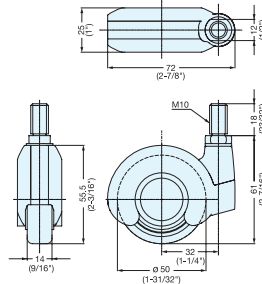
PLN50N10



PLN50N10CR



PLN50N10BL



- Sleek contemporary design, available in Black (BL) or Chrome (CR)
- Ball-bearing type caster for exceptionally smooth movement.

Part Name	Material	Finish
Body	Zinc Alloy	BL=Black, CR=Chrome
Plate	Steel	Yellow Zinc Chromate
Wheel	Polyamide	Black

Item No.	Load Capacity (kg)	Weight (g)	Box (pcs)	Carton (pcs)
PLN50N10BL	80 (176 lbs)	203	1	40
PLN50N10CR				

TWIN WHEEL CASTER (PLATE TYPE)

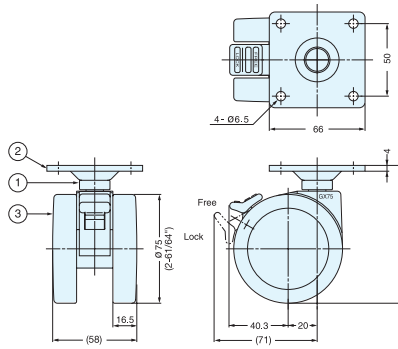


GX-75-PS, P



GX-75-P (w/o Brake)

GX-75-PS (w/ Brake)



- Heavy duty and low profile.
- Twin wheel caster with excellent stability.

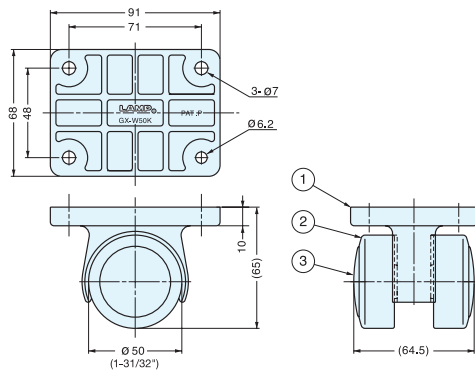
Item No.	Load Capacity (kg)	Weight (g)	Box (pcs)	Carton (pcs)
GX-75-PS	200 (438 lbs)	445	2	24
GX-75-P	200 (438 lbs)	430		

No.	Part Name	Material	Finish
①	Body	Aluminum Alloy	Polished
②	Mounting Plate	Steel	Zinc Chromate
③	Wheel	Polyamide	Black

TWIN WHEEL CASTER (NON-SWIVEL)



GX-W50K



- Non-swivel (fixed) caster.
- Heavy duty and low profile.
- Twin wheel caster with excellent stability.
- Use in combination with GX-W50GN12, GN16 or GP (Swivel Type) for easy handling.

Item No.	Load Capacity (kg)	Weight (g)	Box (pcs)	Carton (pcs)
GX-W50K	200 (441 lbs)	300	2	48

No.	Part Name	Material	Finish
①	Body	Aluminum Alloy	Polished
②	Wheel	Polyacetal	Black
③	Cover	Polyamide	

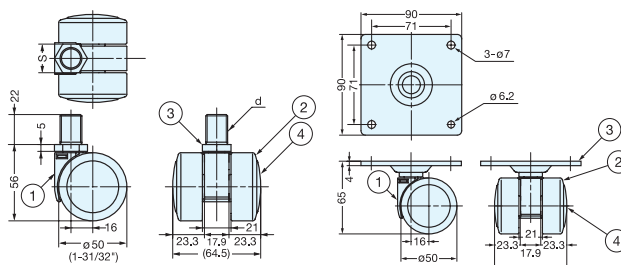
TWIN WHEEL CASTER (THREADED BOLT & PLATE)



GX-W50GN12, GN16, GP



GX-W50GN12, GN16 (Threaded bolt type)



GX-W50GN12, GN16

GX-W50GP

- Swivel type, heavy duty and low profile.
- Twin wheel caster with excellent stability.
- Use in combination with GX-W50K (Non-swivel type) for easy handling.
- Threaded bolt or plate type available.

Item No.	d	S	Load Capacity (kg)	Weight (g)	Box (pcs)	Carton (pcs)
GX-W50GN12	M12 x 1.75	19	200 (441 lbs)	208	4	80
GX-W50GN16	M16 x 2.0	21		223		
GX-W50GP	-	-		420	2	40

No.	Part Name	Material	Finish
①	Body	Aluminum Alloy	Polished
②	Wheel	Polyacetal	Black
③	Threaded Bolt Mounting Plate (GP)	Steel	Yellow Zinc Chromate
④	Cover	Polyamide	Black

TWIN WHEEL CASTER (PLATE TYPE)

LOAD CAPACITY
100 kg
220 lbs

TEST 13
P.698



GX-50-PS, P

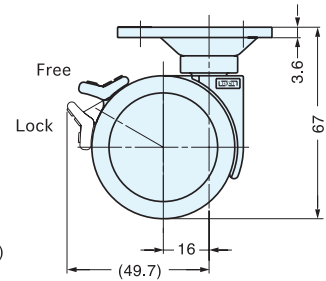
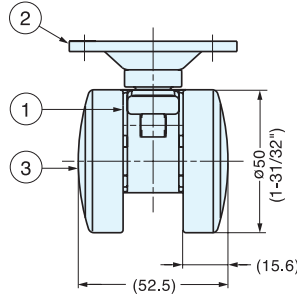
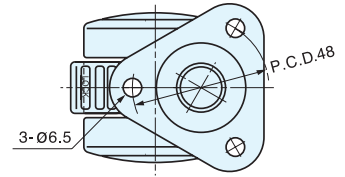
- Heavy duty and low profile.
- Twin wheel caster with excellent stability.



GX-50-P
(w/o Brake)



GX-50-PS
(w/ Brake)



Item No.	Load Capacity (kg)	Weight (g)	Box (pcs)	Carton (pcs)
GX-50-PS	100 (220 lbs)	235	4	72
GX-50-P	100 (220 lbs)	230		

No.	Part Name	Material	Finish
①	Body	Aluminum Alloy	Polished
②	Mounting Plate	Steel	Yellow Zinc Chromate
③	Wheel	Polyamide	Black

TWIN WHEEL CASTER (THREADED BOLT TYPE)

LOAD CAPACITY
100 kg
220 lbs

TEST 13
P.698

GX-50-N12S, N12

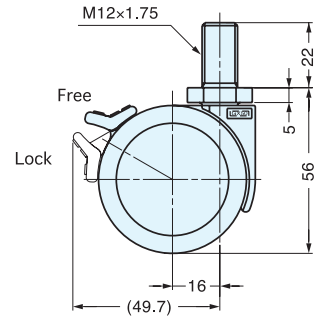
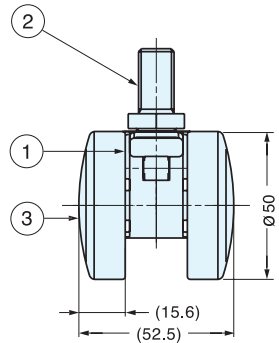
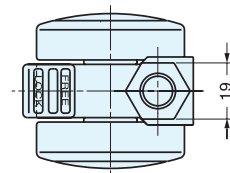
- Heavy duty and low profile.
- Twin wheel caster with excellent stability.



GX-50-N12
(w/o Brake)



GX-50-N12S
(w/ Brake)



Item No.	Load Capacity (kg)	Weight (g)	Box (pcs)	Carton (pcs)
GX-50-N12S	100 (220 lbs)	175	4	72
GX-50-N12	100 (220 lbs)	170		

No.	Part Name	Material	Finish
①	Body	Aluminum Alloy	Polished
②	Threaded Bolt	Steel	Yellow Zinc Chromate
③	Wheel	Polyamide	Black

TWIN WHEEL CASTER (PLATE TYPE)



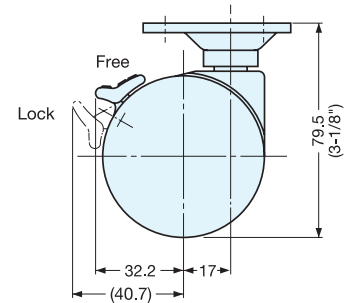
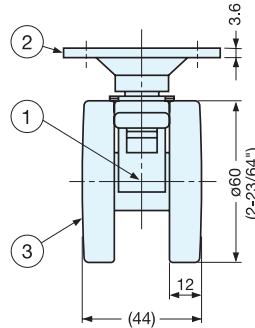
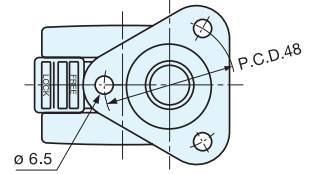
GX-60-PS, P

- Heavy duty and low profile.
- Twin wheel caster with excellent stability.



GX-60-P
(w/o Brake)

GX-60-PS
(w/ Brake)



Item No.	Load Capacity (kg)	Weight (g)	Box (pcs)	Carton (pcs)
GX-60-PS	150 (330 lbs)	234	4	60
GX-60-P	150 (330 lbs)	229		

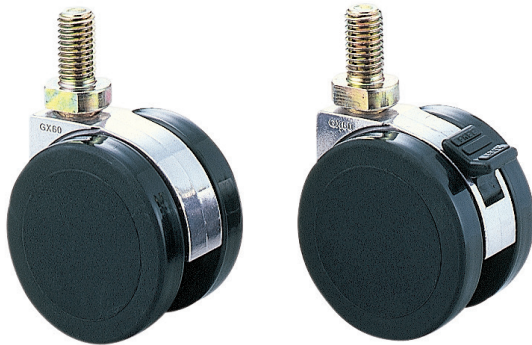
No.	Part Name	Material	Finish
①	Body	Aluminum Alloy	Polished
②	Mounting Plate	Steel	Yellow Zinc Chromate
③	Wheel	Polyamide	Black

TWIN WHEEL CASTER (THREADED BOLT TYPE)



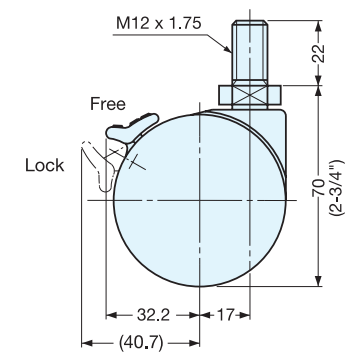
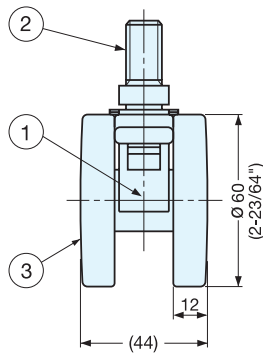
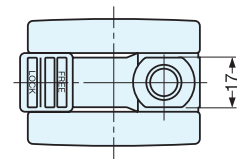
GX-60-N12S, N12

- Heavy duty and low profile.
- Twin wheel caster with excellent stability.



GX-60-N12
(w/o Brake)

GX-60-N12S
(w/ Brake)



Item No.	Load Capacity (kg)	Weight (g)	Box (pcs)	Carton (pcs)
GX-60-N12S	150 (330 lbs)	185	4	60
GX-60-N12	150 (330 lbs)	180		

No.	Part Name	Material	Finish
①	Body	Aluminum Alloy	Polished
②	Threaded Bolt	Steel	Yellow Zinc Chromate
③	Wheel	Polyamide	Black

DUAL BRAKE SYSTEM CASTER (PLATE TYPE)

LOAD CAPACITY
100 kg
220 lbs

TEST 13
P.698



EX-100PS, P



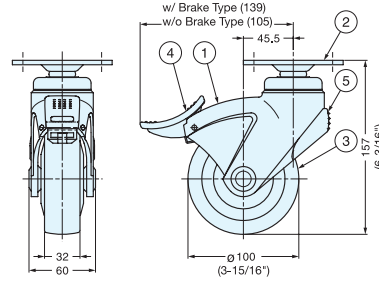
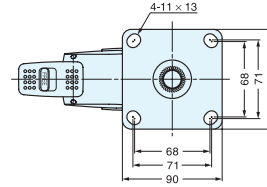
EX-100P
(w/o Brake)

EX-100PS
(w/Brake)



Lock Indicator

- Locks both wheel and swivel.
- Ball bearing equipped in both swivel and wheel to provide maximum smooth movement.
- Front rubber bumper protects from impact.
- Large brake lever and indicator for easy operation.



Item No.		Load Capacity (kg)	Weight (g)	Box (pcs)	Carton (pcs)
EX-100PS	w/Brake	100 (220 lbs)	919	20	200
EX-100P	w/o Brake		877		

No.	Part Name	Material	Finish
①	Body	Polyamide	Light Grey
②	Mounting Plate	Steel	Yellow Zinc Chromate
③	Wheel	Polyamide Polyurethane	Grey
④	Brake	Polyamide	
⑤	Rear Bumper	Elastomer	

DUAL BRAKE SYSTEM CASTER (THREADED BOLT TYPE)

LOAD CAPACITY
100 kg
220 lbs

TEST 13
P.698

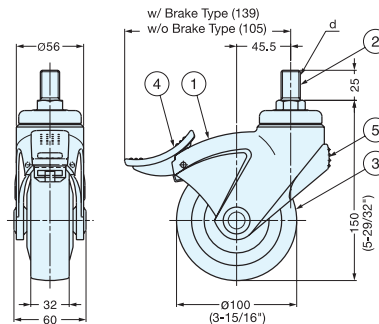
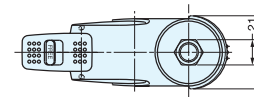
EX-100N



(w/o Brake)

(w/Brake)

- Locks both wheel and swivel.
- Ball bearing equipped in both swivel and wheel to provide maximum smooth movement.
- Front rubber bumper protects from impact.
- Large brake lever and indicator for easy operation.



Item No.		d	Load Capacity (kg)	Weight (g)	Box (pcs)	Carton (pcs)
EX-100N12S	w/Brake	M12×1.75	100 (220 lbs)	703	20	200
EX-100N12	w/o Brake	M12×1.75		658		
EX-100N16S	w/Brake	M16×2.0		703		
EX-100N16	w/o Brake	M16×2.0		658		

No.	Part Name	Material	Finish
①	Body	Polyamide	Light Grey
②	Threaded Bolt	Steel	Yellow Zinc Chromate
③	Wheel	Polyamide Polyurethane	Grey
④	Brake(w/Brake type)	Polyamide	
④	Front Bumper(w/o Brake type)	Elastomer	
⑤	Rear Bumper	Elastomer	

DUAL BRAKE SYSTEM CASTER (PLATE TYPE)



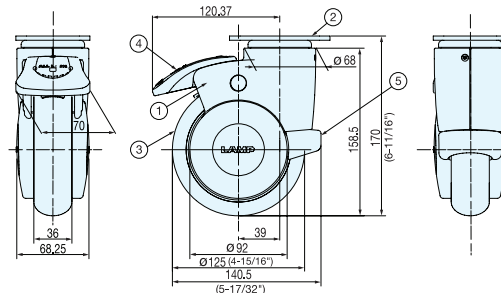
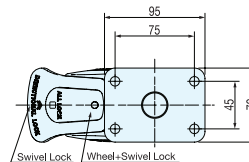
MX-125PS, P



w/o Brake

w/Brake

- Caster with clean appearance.
- Dual brake system.
Can be locked on "swivel only" or "wheel and swivel" in one step.
Large lock lever for swivel, and small lock lever for wheel.
- Easy operation.
- Works as rigid type when swivel locked for easy movability.



Item No.		Load Capacity (kg)	Weight (g)	Box (pcs)	Carton (pcs)
MX-125PS	w/Brake	120 (264 lbs)	1450	2	8
MX-125P	w/o Brake		1350		

No.	Part Name	Material	Finish
①	Body	Polypropylene	Light Grey
②	Mounting Plate	Steel	Chromate
③	Wheel	Nylon/Polyurethane	Dark Grey
④	Brake	Nylon	Blue
⑤	Rear Bumper	Polyurethane	Dark Grey

DUAL BRAKE SYSTEM CASTER (THREADED BOLT TYPE)



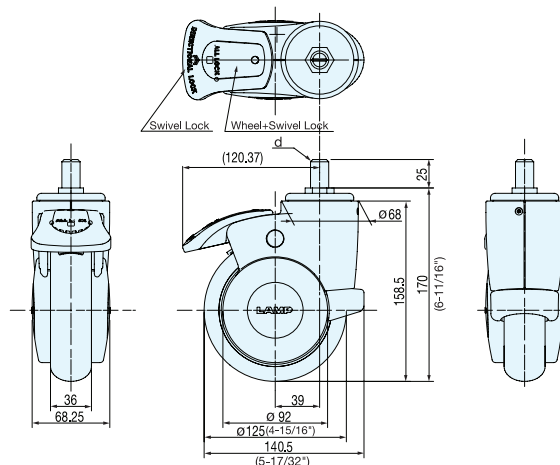
MX-125N



w/o Brake

w/Brake

- Caster with clean appearance.
- Dual brake system.
Can be locked on "swivel only" or "wheel and swivel" in one step.
Large lock lever for swivel, and small lock lever for wheel.
- Easy operation.
- Works as rigid type when swivel locked for easy movability.



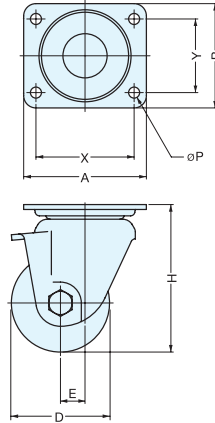
Item No.		d	Load Capacity (kg)	Weight (g)	Box (pcs)	Carton (pcs)
MX-125N16S	w/Brake	M16×2	120 (264 lbs)	1310	2	8
MX-125N16	w/o Brake			1210		

No.	Part Name	Material	Finish
①	Body	Polypropylene	Light Grey
②	Threaded Bolt	Steel	Chromate
③	Wheel	Nylon/Polyurethane	Dark Grey
④	Brake	Nylon	Blue
⑤	Rear Bumper	Polyurethane	Dark Grey

LOW PROFILE HEAVY DUTY CASTER



UHG



- Low profile and heavy duty up to 816kg (1795 lbs), ideal for manufacturing equipment.
- Sealed ball bearing swivel assembly provides smooth and long-term service.
- Hexavalent chromium free. Using trivalent chromium for RoHS compliance.
- Choose wheel type from Phenolic, Reinforced Nylon, MC Nylon or Electro-conductive MC Nylon.
- All wheels equipped with heavy duty ball bearing.

*Please specify wheel type when ordering.

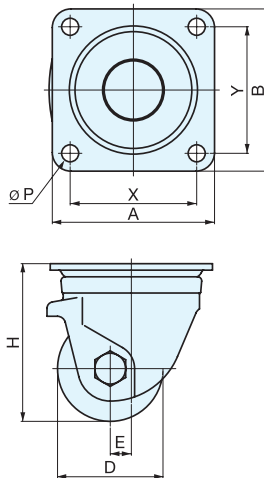
Part Name	Material	Finish
Body / Mounting Plate	Steel	Clear Zinc Chromate (Trivalent Chromium)
Wheel	Phenolic Resin (PB)	Black
	Reinforced Nylon (GFB)	
	MC Nylon (MC)	
	Electro-conductive MC Nylon (MCE)	

Item No.	Bearing in wheels	D	Wheel Width	H	A	B	X	Y	P	E	Swivel Radius	Load Capacity (kg)	Weight (g)	Box (pcs)	Carton (pcs)
UHG-50 (PB,MC,MCE)	With Bearing	50	38	79	84	84	64	64	8.5	11	49	408 (898 lbs)	820	20	200
UHG-65 (PB,GFB,MC,MCE)		65	48	97	100	100	78	78	10.5	14	57	510 (1122 lbs)	1540	12	120
UHG-75 (PB,GFB,MC,MCE)		75	48	107	100	100	78	78	10.5	14	57	612 (1347 lbs)	1625	12	120
UHG-80MC		80	48	120	100	85	80	60	9.0	20	62	816 (1795 lbs)	1680	12	120
UHG-100MC		100	48	140	150	110	121	59	13.0	20	72	816 (1795 lbs)	2160	8	80

LOW PROFILE HEAVY DUTY CASTER



HG



- Low profile and heavy duty up to 255 kg (561 lbs), ideal for manufacturing equipment.
- Hardened frame for maximum rigidity and strength.
- Sealed ball bearing swivel assembly provides smooth and long-term service.
- Hexavalent chromium free. Using trivalent chromium for RoHS compliance.
- Two wheel types:
 - Phenolic
 - Reinforced Nylon with ball bearing spindle
- Wheel brake available on special order.

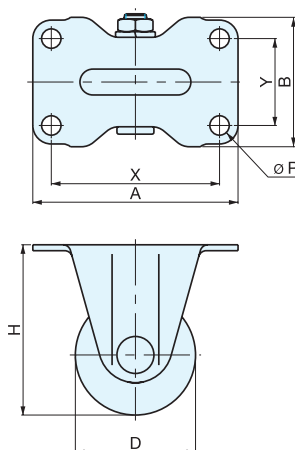
Part Name	Material	Finish
Body	Steel	Clear Zinc Chromate (Trivalent Chromium)
Mounting Plate		
Wheel	Reinforced Nylon(GNB)	Black
	Phenolic Resin(PB)	

Item No.	Bearing in wheels	D	Wheel Width	H	A	B	X	Y	P	E	Swivel Radius	Load Capacity (kg)	Weight (g)	Box (pcs)	Carton (pcs)
HG-50GNB	Without Bearing	50	28	68	50	50	64	64	6.5	25	51	163 (359 lbs)	320	36	600
HG-65PB	With Bearing	65	38	92	90	90	71	71	10.5	22	57	306 (675 lbs)	880	20	200
HG-75PB		75	38	106	90	90	71	71	10.5	22	61	326 (719 lbs)	970	20	120

LOW PROFILE HEAVY DUTY CASTER



HR



- Low profile and heavy duty up to 255 kg (561 lbs), ideal for manufacturing equipment.
- Hardened frame for maximum rigidity and strength.
- Hexavalent chromium free. Using trivalent chromium for RoHS compliance.
- Two wheel types:
 - Phenolic
 - Reinforced Nylon with ball bearing spindle

Part Name	Material	Finish
Body	Steel	Clear Zinc Chromate (Trivalent Chromium)
Mounting Plate		
Wheel	Reinforced Nylon(GNB)	Black
	Phenolic Resin(PB)	

Item No.	Bearing in wheels	D	Wheel Width	H	A	B	X	Y	P	Load Capacity (kg)	Weight (g)	Box (pcs)	Carton (pcs)
HR-50GNB	Without Bearing	50	28	68	80	50	66	36	6.5	163 (359 lbs)	200	36	600
HR-65PB	With Bearing	65	38	92	111	67	91	47	10.5	234 (516 lbs)	615	12	120
HR-75PB		75	38	106	123	72	103	52	10.5	255 (561 lbs)	725	12	120

CASTER COMBINATION – SET UP

Better



Cost	Stability	Control	Load Capacity
A	B / C	A / B	E
B / C / D	D / E	D / E	B / C / D
E	A	C	A

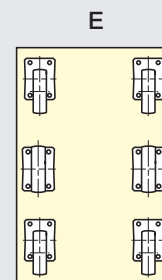
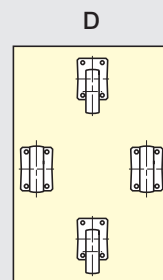
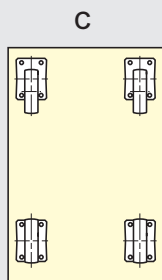
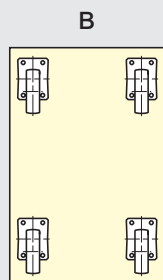
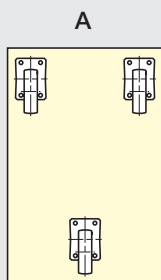
A: TYPE - 3 x Swivel
SET UP - 2 + 1 Triangle

B: TYPE - 4 x Swivel
SET UP - Square

C: TYPE - 2 x Swivel & 2 x Fix
SET UP - Square

D: TYPE - 2 x Swivel & 2 x Fix
SET UP - Rhombus

E: TYPE - 4 x Swivel & 2 x Fix (Middle)
SET UP - Square



CASTER WITH LEVELING GLIDE



AF-50, 65

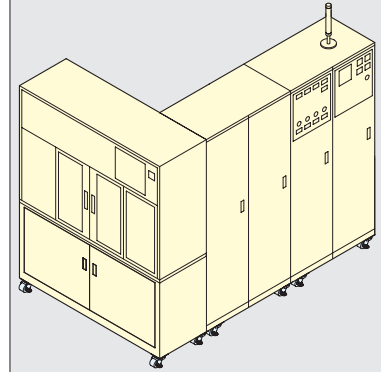
CASTERS & LEVELING GLIDES

CASTERS WITH LEVELING GLIDES

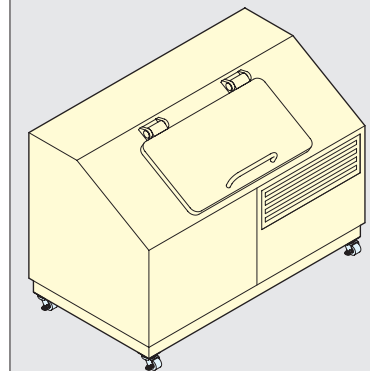
- Heavy duty, low profile caster with built-in leveling glide.
- Allows solid support by leveler once equipment is in place.
- Simplifies mounting as leveler is integrated with caster.



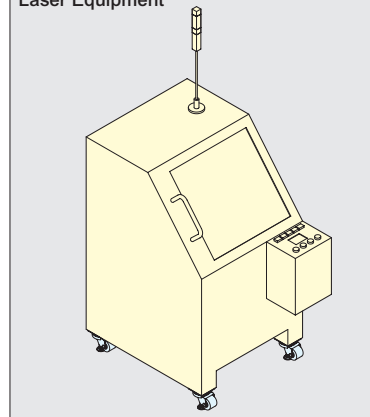
Semiconductor Equipment



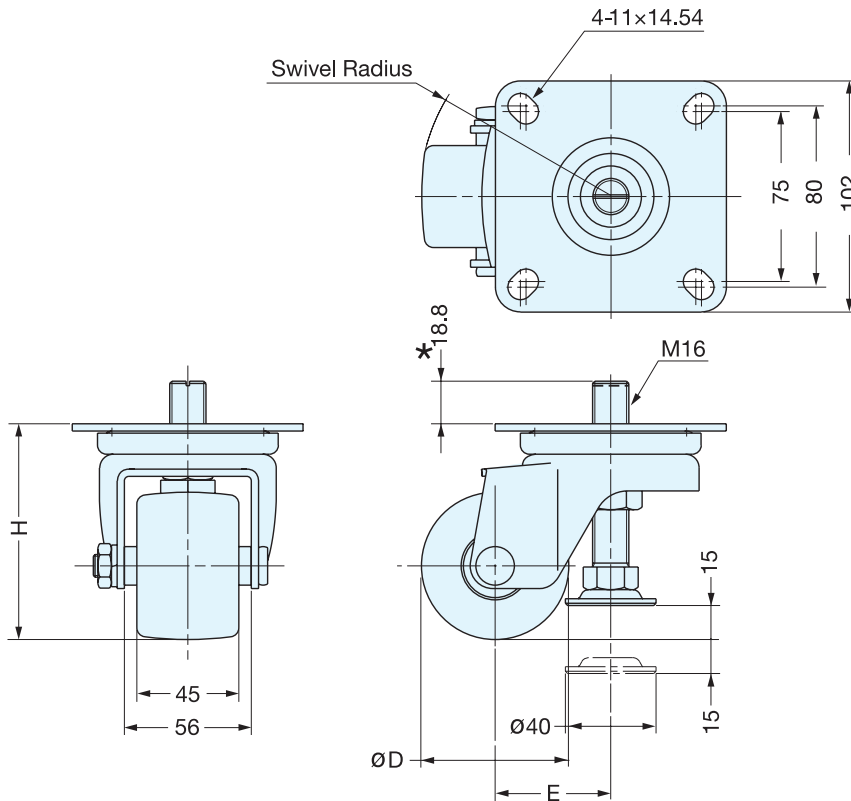
Garbage Container



Laser Equipment



Installation



*Round cut out or bore is required for bolt of leveler.

Part Name	Material	Finish
Body	Steel	Chrome
Wheel	Nylon	Black

Item No.	D	H	E	Swivel Radius	Load Capacity (kg)	Weight (g)	Box (pcs)	Carton (pcs)
AF-50	50	74	46	73	255 (561 lbs)	1205	18	180
AF-65	65	95	51	85	255 (561 lbs)	1335	12	120

PARTS SEPARABLE CASTER (W/GLIDE)



CA

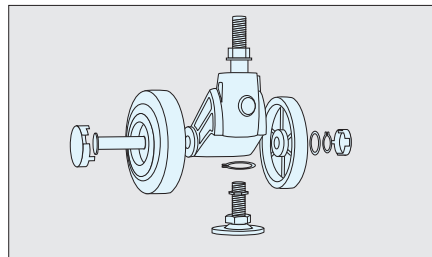
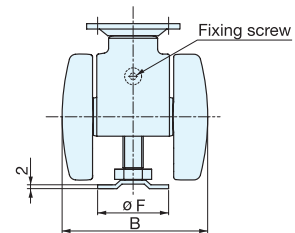
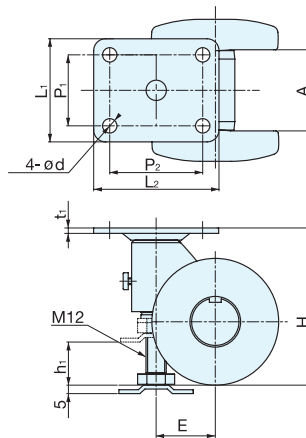
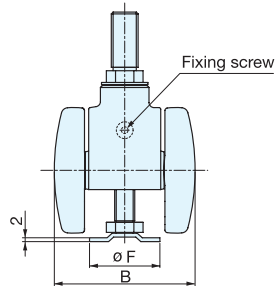
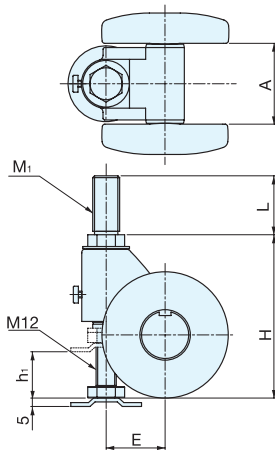


CABF-75/BLK

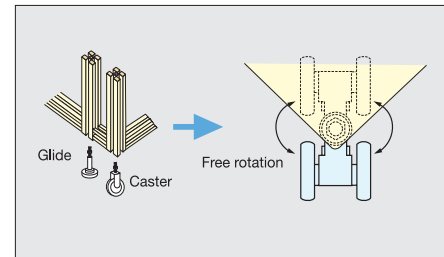


CAPS-50/WHT

- Special order item.
- Built-in leveling glide allows easy installation rather than installing two separate parts.
- Glides provide better stability than regular caster with stopper.
- Caster body rotates freely when raised by the glide. Tighten fixing screw to fix the position.
- Parts can be easily separated for recycling purpose.



• Parts can be easily separated for recycling purpose.



- Built-in leveling glide allows easy installation rather than installing two separate parts.
- Caster body rotates freely when raised by the glide. Tighten fixing screw to fix the position.

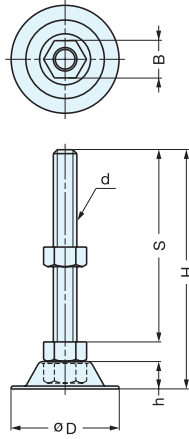
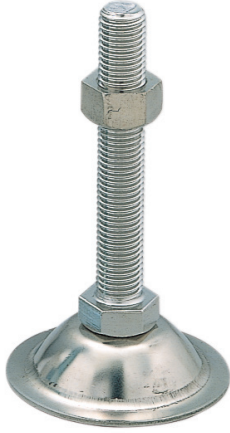
Part Name	Material	
	CABF, CAPF	CABS, CAPS
Body / Wheel	Polyamide (Black, White)	Polyamide (White)
Glide	Steel (Yellow Zinc Chromate)	304 Stainless Steel (Passivated)
Threaded Bolt Plate		

Item No.		Type	H	h ₁	E	F	A	B	L	L ₁	L ₂	P ₁	P ₂	d	t ₁	M ₁	Load Capacity (kg)	Weight (g)	Box (pcs)	Carton (pcs)
Black	White																			
CABF-50/BLK	CABF-50/WHT	Stem	67	10	30	34	40	69	35	-	-	-	-	-	-	M12	60 (132 lbs)	260	40	400
CABF-75/BLK	CABF-75/WHT		95	24	35	42	50	84								M16	120 (264 lbs)	400	20	200
-	CABS-50/WHT		67	10	30	34	40	69								M12	60 (132 lbs)	262	40	400
-	CABS-75/WHT		95	24	35	42	50	84								M16	120 (264 lbs)	402	20	200
CAPF-50/BLK	CAPF-50/WHT	Plate	63	10	30	34	40	69	-	61	74	42	55	8.5	3.2	-	60 (132 lbs)	306	40	400
CAPF-75/BLK	CAPF-75/WHT		92	24	35	42	50	84									120 (264 lbs)	424	20	200
-	CAPS-50/WHT		63	10	30	34	40	69									60 (132 lbs)	300	40	400
-	CAPS-75/WHT		92	24	35	42	50	84									120 (264 lbs)	420	20	200

STAINLESS STEEL LEVELING GLIDE



ADPS



• Nut on bottom of glide allows easy installation and height adjustment with socket wrench.

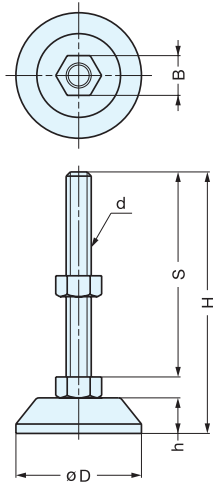
Material	Finish
304 Stainless Steel	Polished

Item No.	D	H	h	S	B	d	Load Capacity (kg)	Weight (g)	Box (pcs)	Carton (pcs)
ADPS37- 8- 60	37 (1-26/64")	76 (3")	10.5	60	13	M 8 x 1.25	300 (660 lbs)	56	200	2000
ADPS37-10- 50	37 (1-26/64")	67.5 (2-21/32")	10.5	50	17	M10 x 1.5	300 (660 lbs)	78	200	2000
ADPS55-12-100	55 (2-5/32")	122 (4-13/16")	14.0	100	19	M12 x 1.75	300 (660 lbs)	174	100	1000
ADPS55-12-120	55 (2-5/32")	142 (5-19/32")	14.0	120	19	M12 x 1.75	300 (660 lbs)	187	80	800
ADPS55-12-150	55 (2-5/32")	172 (6-25/32")	14.0	150	19	M12 x 1.75	300 (660 lbs)	210	70	700
ADPS75-16-100	75 (2-61/64")	128 (5-1/32")	18.0	100	24	M16 x 2.0	560 (1233 lbs)	318	50	500
ADPS75-16-130	75 (2-61/64")	158 (6-7/32")	18.0	130	24	M16 x 2.0	560 (1233 lbs)	358	40	400
ADPS75-16-150	75 (2-61/64")	178 (7")	18.0	150	24	M16 x 2.0	560 (1233 lbs)	382	30	300
ADPS75-16-180	75 (2-61/64")	208 (8-3/16")	18.0	180	24	M16 x 2.0	560 (1233 lbs)	426	30	300
ADPS75-20-100	75 (2-61/64")	131 (5-5/32")	18.0	100	30	M20 x 2.5	880 (1938 lbs)	490	40	400
ADPS75-20-130	75 (2-61/64")	161 (6-11/32")	18.0	130	30	M20 x 2.5	880 (1938 lbs)	553	30	300
ADPS75-20-150	75 (2-61/64")	181 (7-1/8")	18.0	150	30	M20 x 2.5	880 (1938 lbs)	593	30	300
ADPS75-20-180	75 (2-61/64")	211 (8-5/16")	18.0	180	30	M20 x 2.5	880 (1938 lbs)	655	25	250

STAINLESS STEEL LEVELING GLIDE



ADCS



• Nut on bottom of glide allows easy installation and height adjustment with socket wrench.

Material	Finish
304 Stainless Steel	Plain

Item No.	D	H	h	S	B	d	Load Capacity (kg)	Weight (g)	Box (pcs)	Carton (pcs)
ADCS60-12-120	60 (2-23/64")	145 (5-45/64")	17	120	19	M12 x 1.75	300 (660 lbs)	365	35	350
ADCS60-16-100	60 (2-23/64")	127 (5")	17	100	24	M16 x 2.0	560 (1233 lbs)	440	25	250
ADCS60-16-130	60 (2-23/64")	157 (6-3/16")	17	130	24	M16 x 2.0	560 (1233 lbs)	480	25	250
ADCS60-16-180	60 (2-23/64")	207 (8-5/32")	17	180	24	M16 x 2.0	560 (1233 lbs)	550	20	200
ADCS60-20-100	60 (2-23/64")	130 (5-1/8")	17	100	30	M20 x 2.5	880 (1938 lbs)	590	20	200
ADCS60-20-130	60 (2-23/64")	160 (6-19/64")	17	130	30	M20 x 2.5	880 (1938 lbs)	650	20	200
ADCS60-20-180	60 (2-23/64")	210 (8-17/64")	17	180	30	M20 x 2.5	880 (1938 lbs)	750	15	150

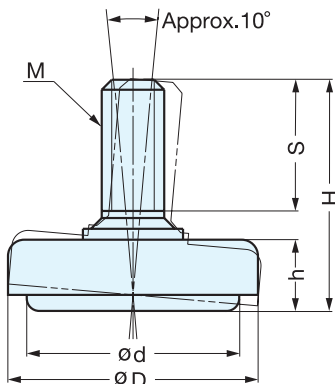
LEVELING GLIDE



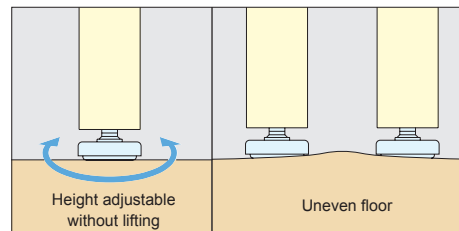
LOAD CAPACITY
120-160 kg
264-352 lbs

TEST 12
P.698

MKP



- Double structure of cover/bolt and base allow easy height adjustment without lifting the leg.
- Swivels approximately 10° to compensate for uneven floors.
- Includes slide base KD-555-28(P.667) at no charge.



Material	Steel
Finish	Chrome

Item No.	M	D	d	H	h	S	Load Capacity (kg)	Weight (g)	Box (pcs)	Carton (pcs)
MKP-32	W3/8-16	32 (1-17/64")	27	36.0 (1-27/64")	11.0	21	160 (352 lbs)	44	80	480
MKP-40	W3/8-16	40 (1-37/64")	34	37.0 (1-29/64")	11.4	21	160 (352 lbs)	65	50	300
MKP-50	W3/8-16	50 (1-31/32")	44	37.5 (1-15/32")	11.5	21	120 (264 lbs)	90	20	120

STAINLESS STEEL LEVELING GLIDE

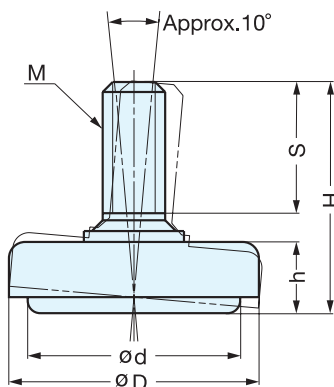


STAINLESS 304 STEEL

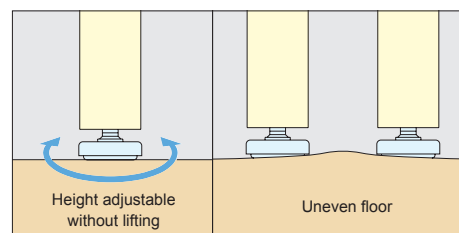
LOAD CAPACITY
200-400 kg
440-881 lbs

TEST 12
P.698

MKPS



- Double structure of cover/bolt and base allow easy height adjustment without lifting the leg.
- Swivels approximately 10° to compensate for uneven floors.
- 304 stainless steel construction is ideal for humid environments or application where corrosion is an issue.



Material	Stainless Steel
Finish	Satin

Item No.	M	D	d	H	h	S	Load Capacity (kg)	Weight (g)	Box (pcs)	Carton (pcs)
MKPS-32N3	W3/8-16	32 (1-17/64")	27	36.0 (1-27/64")	11.0	21	200 (440 lbs)	50	60	480
MKPS-40N3	W3/8-16	40 (1-37/64")	34	37.0 (1-29/64")	11.4	21	320 (704 lbs)	70	40	320
MKPS-50N3	W3/8-16	50 (1-31/32")	44	37.5 (1-15/32")	11.5	21	360 (792 lbs)	95	30	240
MKPS-60M12	M12x1.75	60 (2-23/64")	54	51.5 (2-1/32")	11.5	35	400 (881 lbs)	140	15	120

LEVELING GLIDE (W/RUBBER PAD)

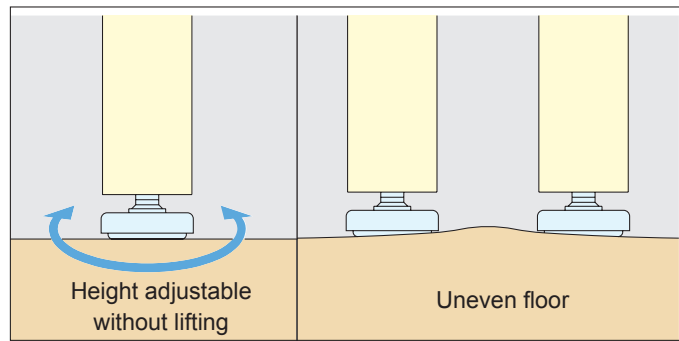
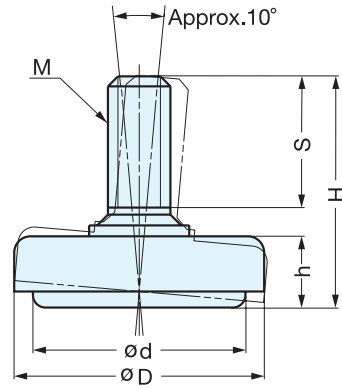
LOAD CAPACITY
40-60 kg
88-132 lbs

MKR

CASTERS & LEVELING GLIDES

LEVELING GLIDES / STAINLESS STEEL LEVELING GLIDES

- Leveling glide with elastomer base to prevent skidding.
- Double structure of cover/bolt and base allow easy height adjustment without lifting the leg.
- Swivels approximately 10° to compensate for uneven floors.
- Includes slide base KD-555-28(P.667) at no charge.



Part Name	Material	Finish
Body	Steel	Chrome
Base	Elastomer	Black

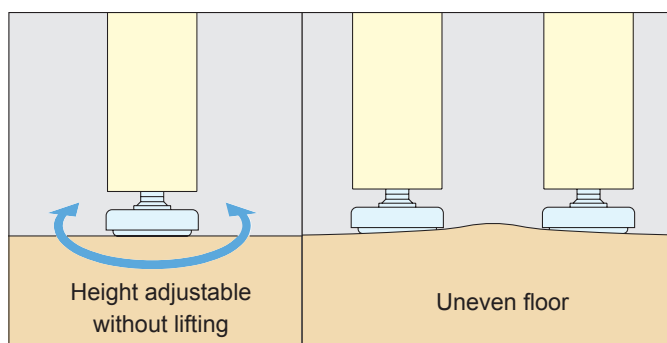
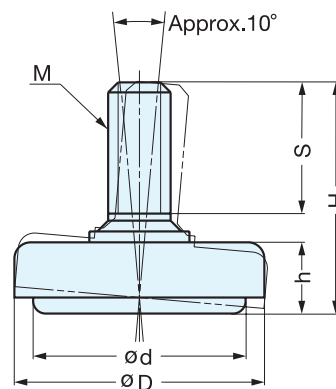
Item No.	M	D	d	H	h	S	Load Capacity (kg)	Weight (g)	Box (pcs)	Carton (pcs)
MKR-32	W3/8-16	32 (1-17/64")	27	36.0 (1-27/64")	11.0	21	40 (88 lbs)	41	80	480
MKR-40	W3/8-16	40 (1-37/64")	34	37.0 (1-29/64")	11.4	21	60 (132 lbs)	60	50	300
MKR-50	W3/8-16	50 (1-31/32")	44	37.5 (1-15/32")	11.5	21	60 (132 lbs)	87	20	120

STAINLESS STEEL LEVELING GLIDE (W/RUBBER PAD)



MKRS

- Leveling glide with elastomer base to prevent skidding.
- Double structure of cover/bolt and base allow easy height adjustment without lifting the leg.
- Swivels approximately 10° to compensate for uneven floors.
- 304 stainless steel construction is ideal for humid environments or application where corrosion is an issue.



*** Only Item No.MKRS-50N3 is not RoHS compliant.

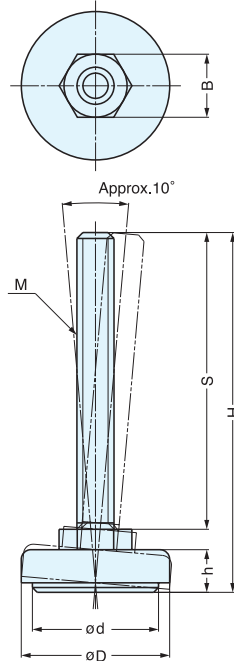
Part Name	Material	Finish
Body	304 Stainless Steel	Satin
Base	Elastomer	Black

Item No.	M	D	d	H	h	S	Load Capacity (kg)	Weight (g)	Box (pcs)	Carton (pcs)
MKRS-32N3	W3/8-16	32 (1-17/64")	27	36.0 (1-27/64")	11.0	21	40 (88 lbs)	50	60	480
MKRS-40N3	W3/8-16	40 (1-37/64")	34	37.0 (1-29/64")	11.4	21	80 (176 lbs)	70	40	320
MKRS-50N3	W3/8-16	50 (1-31/32")	44	37.5 (1-15/32")	11.5	21	100 (220 lbs)	90	30	240
MKRS-60M12	M12x1.75	60 (2-23/64")	54	51.5 (2-1/32")	11.5	35	100 (220 lbs)	150	15	120
MKRS-70M14	M14x2	70 (2-3/4")	64	51.5 (2-1/32")	11.5	35	100 (220 lbs)	200	15	120

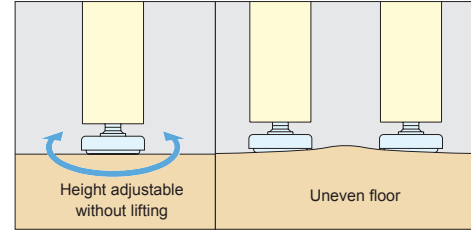
STAINLESS STEEL LONG-STEM LEVELING GLIDE



MKPLS



- Double structure of cover/bolt and base allow easy height adjustment without lifting the leg.
- Swivels approximately 10° to compensate for uneven floors.
- 304 stainless steel construction is ideal for humid environments or application where corrosion is an issue.



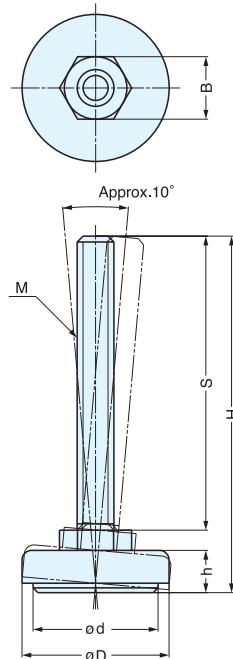
Part Name	Material	Finish
Body	304 Stainless Steel	Satin
Cover		Plain
Base		Plain

Item No.	M	D	d	H	h	S	B	Load Capacity (kg)	Weight (g)	Box (pcs)	Carton (pcs)
MKPLS-32/10/80	M10x1.5	32 (1-17/64")	27	96 (3-25/32")	10.5	80.0	17	200 (440 lbs)	79	30	240
MKPLS-40/12/80	M12x1.75	40 (1-37/64")	34	97 (3-13/16")	11.5			300 (660 lbs)	125		
MKPLS-50/12/80		50 (1-31/32")	44	100 (3-15/16")	78.5	24	340 (748 lbs)	150	20	160	
MKPLS-50/16/78	M16x2.0								320 (704 lbs)	220	15

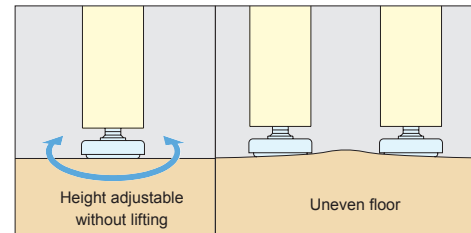
STAINLESS STEEL LONG-STEM LEVELING GLIDE



MKRLS



- Double structure of cover/bolt and base allow easy height adjustment without lifting the leg.
- Swivels approximately 10° to compensate for uneven floors.
- Leveling glide with elastomer base to prevent skidding.



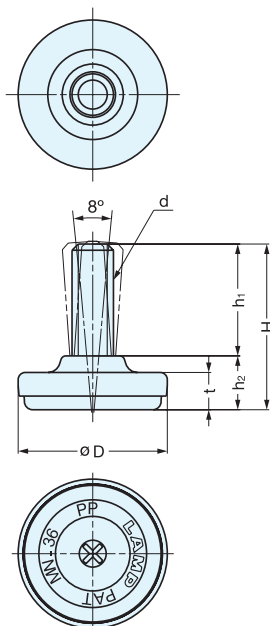
Part Name	Material	Finish
Body	304 Stainless Steel	Satin
Base	Elastomer	Black

Item No.	M	D	d	H	h	S	B	Load Capacity (kg)	Weight (g)	Box (pcs)	Carton (pcs)
MKRLS-40/12/80	M12x1.75	40 (1-37/64")	34	97 (3-13/16")	11.5	80.0	17	80 (176 lbs)	120	30	240
MKRLS-50/12/80		50 (1-31/32")	44					100 (220 lbs)	140	20	160

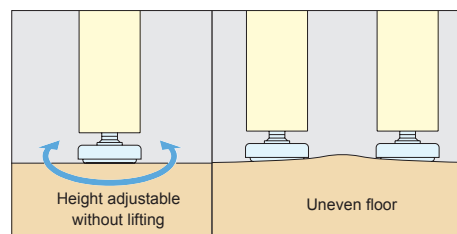
LEVELING GLIDE



MN



- Easy installation with phillips screw driver.
- Swivels approximately 8° to compensate for uneven floors.
- White polypropylene base to prevent floor damage.
- Include glide base.



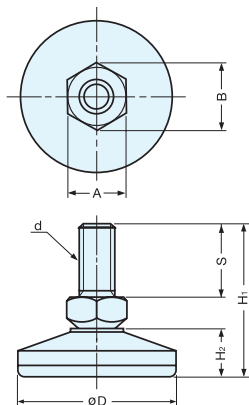
Part Name	Material	Finish
Cover	304 Stainless Steel	Satin
Bolt	Steel	Chrome
Base	Polypropylene	Natural

Item No.	D	H	h ₁	h ₂	t	d	Load Capacity (kg)	Weight (g)	Box (pcs)	Carton (pcs)
MN-25	25 (63/64")	40 (1-37/64")	27	13	9	W5/16-18	120 (264 lbs)	26	100	600
MN-32	32 (1-17/64")	40 (1-37/64")	27	13	9	W3/8-16	160 (352 lbs)	34	80	480
MN-36	36 (1-27/64")	40 (1-37/64")	27	13	9	W3/8-16		39	60	360
MN-40	40 (1-37/64")	40 (1-37/64")	27	13	9	W3/8-16		42	50	300
MN-50	50 (1-31/32")	50 (1-31/32")	34	16	11	W1/2-12		77	20	120

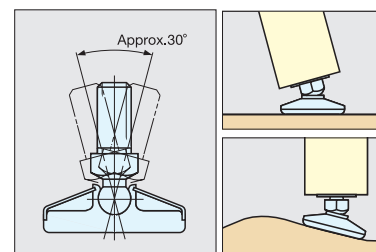
LEVELING GLIDE



RP



- Compensates for uneven of floors.
- Include glide base.



Part Name	Material	Finish
Base Cover	304 Stainless Steel	Satin
Bolt	Steel	Clear Zinc Chromate
Base	Polyamide	Natural

Item No.	A	D	B	H ₁	S	H ₂	d	Load Capacity (kg)	Weight (g)	Box (pcs)	Carton (pcs)
RP-25M6	8 (5/16")	25 (63/64")	9.2	31.0 (1-7/32")	14	9.7	M6x1.0	60 (132 lbs)	11	50	500
RP-30M8	10 (25/64")	30 (1-3/16")	11.5	37.5 (1-15/32")	19	11.2	M8x1.25	110 (242 lbs)	21	35	350
RP-30N25							W5/16.0				
RP-40M10	13 (33/64")	40 (1-37/64")	15.0	42.5 (1-43/64")	20	13.7	M10x1.5	160 (352 lbs)	38	25	250
RP-40N3							W3/8.0				
RP-50M12	17 (43/64")	50 (1-31/32")	19.6	51.0 (2")	25	16.0	M12x1.75	320 (704 lbs)	70	15	
RP-70M14	19 (3/4")	70 (2-3/4")	22.0	66.5 (2-5/8")	30	24.7	M14x2.0	622 (1368 lbs)	150	10	100

LEVELING GLIDE



TG

CASTERS & LEVELING GLIDES

LEVELING GLIDES

- Low profile leveling glide.
- Knurled rim for easy adjustment.
- Easy installation with phillips screw driver.



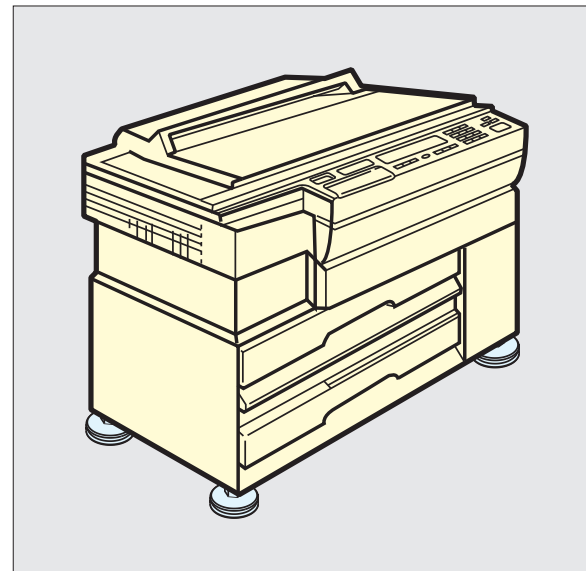
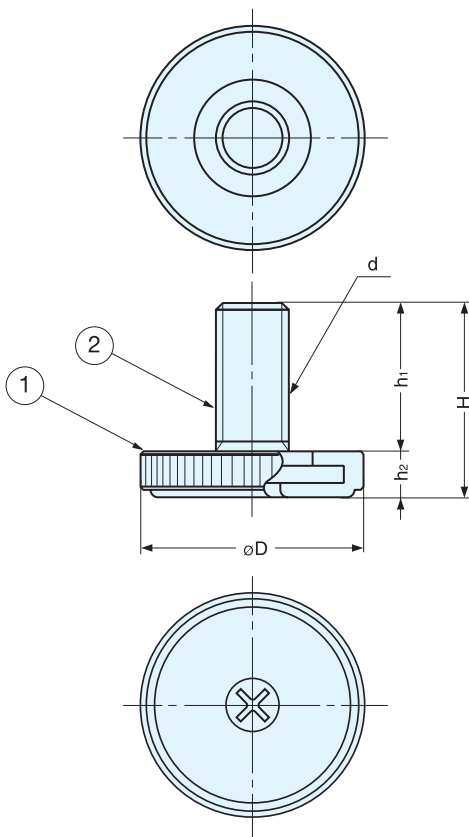
TG-40



TG-30WT



TG-20



Installation

No.	Part Name	Material	Finish
①	Base	Polyamide	Dark Grey/White
②	Bolt	Steel	Clear Zinc Chromate

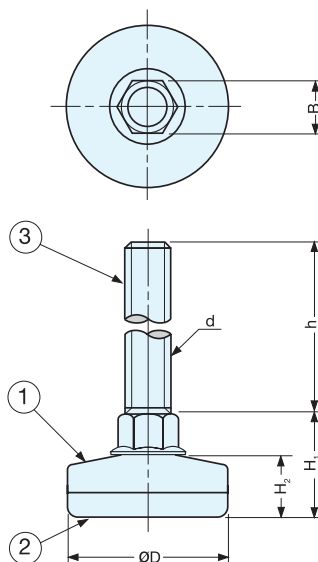
Item No.		D	H	h ₁	h ₂	d	Load Capacity (kg)	Weight (g)	Box (pcs)	Carton (pcs)
Dark Grey	White									
TG-20	TG-20WT	20 (25/32")	21 (53/64")	15	6	M 8 x 1.25	100 (220 lbs)	11	120	720
TG-30	TG-30WT	30 (1-3/16")	26 (1-1/32")	20	6	M 10 x 1.5	150 (330 lbs)	25	100	600
TG-40	TG-40WT	40 (1-37/64")	26 (1-1/32")	20	6	M 10 x 1.5	180 (396 lbs)	36	60	360

LEVELING GLIDE



LOAD CAPACITY
140 kg
308 lbs

TN



No.	Part Name	Material	Finish
①	Body	Steel	Chrome
②	Base	Polypropylene	Natural
③	Bolt	Steel	Clear Zinc Chromate

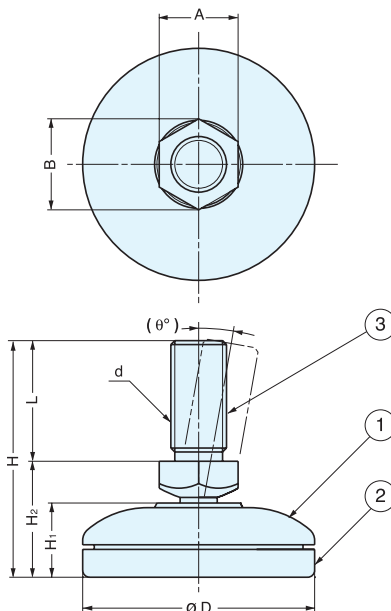
Item No.	D	H ₁	H ₂	h	d	B	Load Capacity (kg)	Weight (g)	Box (pcs)	Carton (pcs)
TN-25S	25.0	21.0	12.0	60	M10x1.5	13	140 (308 lbs)	50	50	500
TN-35S	35.0	22.5	13.5					60	30	300
TN-45S	43.5							70	20	260

LEVELING GLIDE (PARTS SEPARABLE)

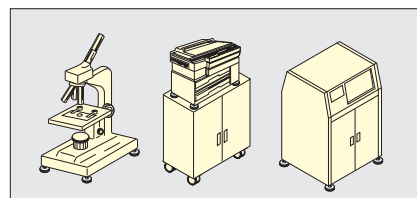
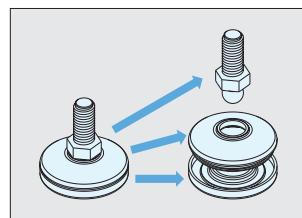


LOAD CAPACITY
50-270 kg
110-594 lbs

EA



- Bolt swivels to compensate for uneven floors.
- Parts can be easily separated for recycling purpose.



Installation

No.	Part Name	Material	Finish
①	Body	ABS	Dark Grey
②	Base		
③	Bolt	Steel	Chromate

Item No.	A	B	D	H	H ₁	H ₂	L	θ°	d	Load Capacity (kg)	Weight (g)	Box (pcs)	Carton (pcs)
EA-25M 6	8	9.2	25	31.0	8.5	14.0	17.0	10.0	M 6 x 1.0	50 (110 lbs)	10	120	1200
EA-30M 8	10	11.5	30	37.5	10.5	17.0	20.5	15.0	M 8 x 1.25	100 (220 lbs)	20	80	800
EA-40M 10	13	15.0	40	42.5	13.0	20.5	22.0	12.5	M10 x 1.5	130 (286 lbs)	32	40	400
EA-50M 12	17	19.6	50	51.0	16.0	25.0	26.0	10.0	M12 x 1.75	270 (594 lbs)	60	20	200

AUTOMATIC HEIGHT ADJUSTING LEVELING GLIDE

LOAD CAPACITY
50 kg
110 lbs

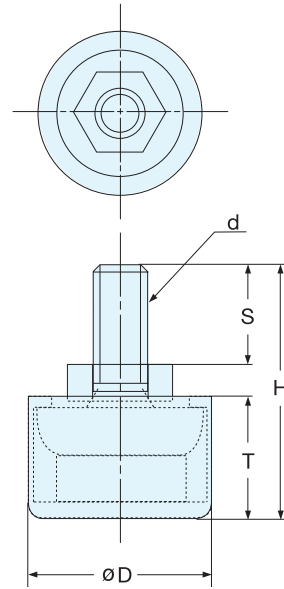
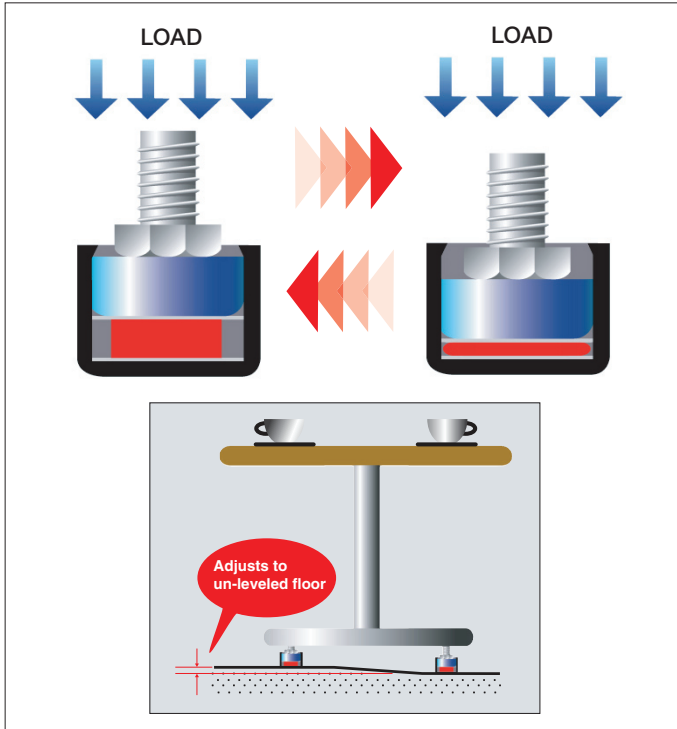
SAJ30

CASTERS & LEVELING GLIDES

LEVELING GLIDES



- Self height adjustment feature up to 3 mm (1/8") & 6 mm (15/64").
- Gel inside of the glide allows for gentle adjustment to uneven surfaces.
- Automatically adjusts each time the table is moved.
- Ideal for tables which are frequently moved. (e.g. Restaurants, Cafeteria, shop etc.)



SAJ-WRENCH

Part Name	Material	Finish	Box (pcs)	Carton (pcs)
SAJ-WRENCH10 (For M6)	Steel	Yellow Zinc Chromate	1	40
SAJ-WRENCH13 (For M8)				
SAJ-WRENCH14 (For N2.5)				
SAJ-WRENCH17 (For N3,M10)				

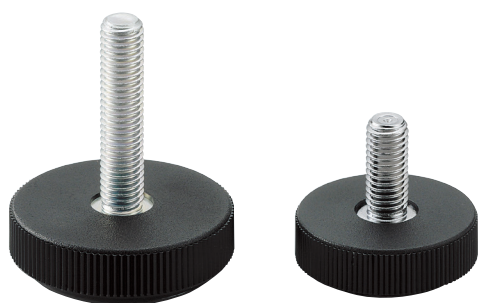
Part Name	Material	Finish / Color
Body	Polyethylene	Black
Nut (10)	Steel	Chromate
Nut (12)		
Screw		

Item No.	Height Adjustment (mm)	D	H	T	S	d	Applicable Table Weight			Load Capacity (kg)	Weight (g)	Box (pcs)	Carton (pcs)	
							6 pcs use (kg)	5 pcs use (kg)	4 pcs use (kg)					
SAJ30-10N2.5	3 (1/8")	32	33	19	9	W5/16	10~18 (22~39 lbs)	8~15 (17~33 lbs)	7~12 (15~26 lbs)	50 (110 lbs)	26	40	400	
SAJ30-10N3					12	W3/8								21
SAJ30-10M6					10	M6								25
SAJ30-10M8					9	M8	38							
SAJ30-10M10					11	M10	26							
SAJ30-12N2.5					9	W5/16	36							
SAJ30-12N3					12	W3/8	21							
SAJ30-12M6					10	M6	25							
SAJ30-12M8					9	M8	38							
SAJ30-12M10					11	M10	29							
SAJ30-12-6N2.5	6 (15/64")	41	42	24	11	W5/16	18~36 (39~79 lbs)	15~30 (33~66 lbs)	12~24 (26~53 lbs)	50 (110 lbs)	29	40	400	
SAJ30-12-6N3					12	W3/8								39
SAJ30-12-6M6					12	M6								29
SAJ30-12-6M8					10	M8	22							
SAJ30-12-6M8					10	M8	41							
SAJ30-12-6M10					10	M10								

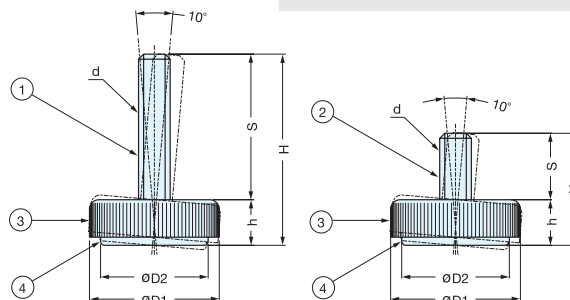
LEVELING GLIDE

LOAD CAPACITY
60-80 kg
132-176 lbs

MKR-N



- Base adjusts up to 10°, maintaining balance even on lightly sloping surfaces.
- Design allows for easy height adjustment.
- Durable unit distributes load evenly.
- Base coated with non-slip synthetic rubber that reduces floor damage.



MKR-N50M10H60

Other Glides

No.	Part Name	Material	Finish
①	Bolt	Steel	Yellow Zinc Chromate
②	Bolt	Steel	Chrome
③	Cover	Polyamide	Black
④	Base	Elastomer	Black

*For MKR-N50M10H60, Bolt is available only with a Yellow Zinc Chromate finish.

Item No.	d	D ₁	D ₂	H	h	S	Load Capacity (kg)	Weight (g)	Box (pcs)	Carton (pcs)
MKR-N32M10	M10	33 (1-5/16")	27	36.0 (1-13/32")	14.0	22.0	60 (132 lbs)	35	80	480
MKR-N32N3	W3/8							45		
MKR-N40M10	M10	41 (1-5/8")	34	37.0 (1-29/64")	15.0		70 (154 lbs)	40	50	300
MKR-N40N3	W3/8							40		
MKR-N50M10	M10	51 (2")	44	37.5 (1-31/64")	15.5	44.5	80 (176 lbs)	60	20	120
MKR-N50M10H60	M10			60.0 (2-3/8")				22.0		
MKR-N50N3	W3/8			37.5 (1-31/64")				22.0		

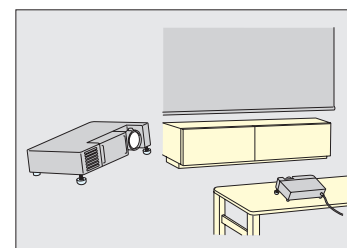
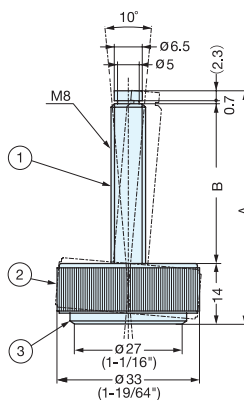
LEVELING GLIDE

LOAD CAPACITY
46 kg
100 lbs

MKR-N32



- Base adjusts up to 10°, maintaining balance even on lightly sloping surfaces.
- Design allows for easy height adjustment.
- Durable unit distributes load evenly.
- Base coated with non-slip synthetic rubber that reduces floor damage.



Application

No.	Part Name	Material	Finish
①	Bolt	Steel	Chromate
②	Cover	Polyamide	Dark Grey
③	Base	Elastomer	Black

Item No.	Color	A	B	Load Capacity (kg)	Weight (g)	Box (pcs)	Carton (pcs)
MKR-N32DG32	Dark Gray	47 (1-7/8")	30 (1-3/16")	46 (100 lbs)	31	50	300
MKR-N32GR32	Gray						

LEVELING GLIDES *Special Order Item

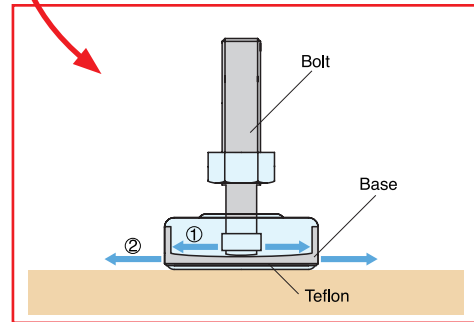
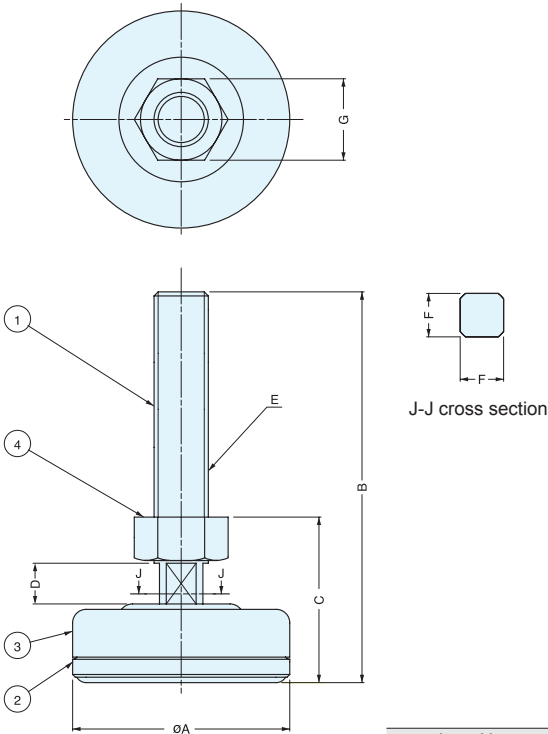
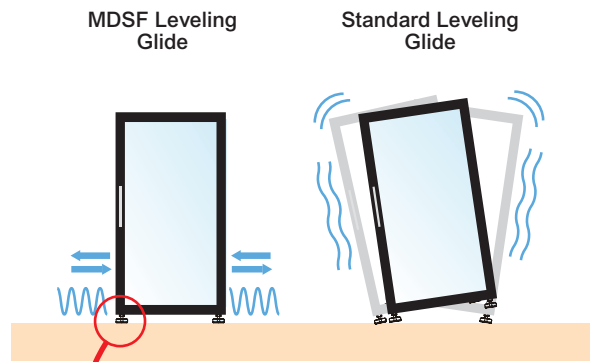
MDSF

CASTERS & LEVELING GLIDES

LEVELING GLIDES



- Glide absorbs shock to reduce movement transmitted to cabinets and equipment, reducing damage to objects within the cabinet as well as those in the surrounding area.
- Keeps aisles and emergency exits clear by reducing the risk of falling furniture or equipment.
- Can be used in raised/access flooring where floor anchors cannot be used.
- Similar installation and appearance to traditional glides, but with value-added function and higher cost performance.
- 2-step shock absorption: internally between bolt and glide base, and externally between glide base and flooring.
- Use with computer server racks, precision equipment, medical equipment, etc.
- Sold in sets of 4 pieces.



No.	Part Name	Material	Finish
①	Bolt	Steel	Nickel
②	Base	Steel, Teflon	-
③	Cover	NBR	-
④	Nut	Steel	Chromate

Item No.	Max. Recommended Dimensions (WxDxH)	Maximum Weight (kg)/4pcs
MDSF58-10- 40	16-1/8"x24-13/16"x15-3/8" (410x630x390 mm)	204 (450 lbs)
MDSF58-16- 80	28-3/4"x28-3/4"x57-1/2" (730x730x1460 mm)	510 (1122 lbs)
MDSF80-20-100	39-3/8"x39-3/8"x78-3/4" (1000x1000x2000 mm)	765 (1687 lbs)

Item No.	A	B	C	D	E	F	G	Weight (g)	Box (pcs)	Carton (pcs)
MDSF58-10- 40	58 (2-5/16")	66 (2-5/8")	35	8	M10	8	17	180	4 (1 set)	40 (10 sets)
MDSF58-16- 80	58 (2-5/16")	114 (4-1/2")	48	11	M16	13	24	300		
MDSF80-20-100	80 (3-1/8")	114 (5-11/16")	61	15	M20	16	30	580		

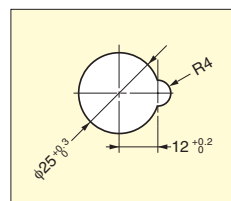
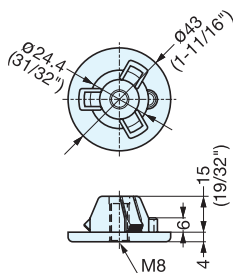
GLIDE BASE



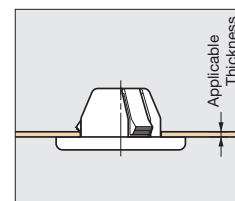
AD-438



• Snap-in glide base for sheet metal 1/32" to 1/16" (0.8-1.6 mm) thick.



Bore Dimension



Installation

Material	Finish
Polyacetal	Grey

Item No.	Applicable Sheet Metal Thickness (mm)	Load Capacity (kg)	Weight (g)	Box (pcs)	Carton (pcs)
AD-438	0.8~1.6 (1/32"-1/16")	50 (110lbs)	10	100	1000

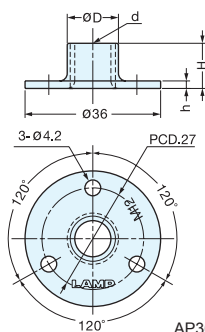
STAINLESS STEEL GLIDE BASE



AP-36



• 304 stainless steel for rust and corrosion resistance.



AP36-M12 is shown.

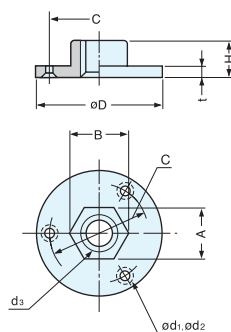
Material	Finish
304 Stainless Steel	Plain

Item No.	d	D	h	H	Weight (g)	Box (pcs)	Carton (pcs)
AP-36-M8	M8X1.25	(9.6)	1.5	12.0	16	100	1000
AP-36-M10	M10X1.5	(11.5)	1.5	12.0	16	100	1000
AP-36-N3	W3/8-16.0	(10.9)	1.5	12.0	16	100	1000
AP-36-M12	M12X1.75	(13.9)	2.0	11.5	20	80	800

GLIDE BASE



KD-555



Material	Finish
Zinc Alloy	Clear Zinc Chromate

Item No.	D	C	H	t	d ₁	d ₂	d ₃	A	B	Weight (g)	Box (pcs)	Carton (pcs)
KD-555-28-M10	28 (1-3/32")	20	9	2.7	3.2	6.4	M10x1.5	13.0	14.0	15	240	1440
KD-555-25	25 (1")	19	8	2.7	3.2	5.3	W5/16-18	11.2	12.5	10	320	1920
KD-555-28	28 (1-3/32")	20	9	2.7	3.2	6.4	W3/8-16	13.0	14.0	15	240	1440
KD-555-39	39 (1-17/32")	30	11	3.0	3.2	6.4	W1/2-12	15.8	16.8	30	100	600

