



Cabinet Connectors

Important Information

Technical information

While every effort has been made in the production of this catalogue to ensure the accuracy of information, our products are continually being revised and users should confirm the up to date specification before ordering. Due to constant improvement of products presented in the catalogue, we can make changes at any time and without notice.

Responsibility

It is the responsibility of the user to ensure the fitness of hardware for the intended purpose. We recommend assessment by appropriate testing in the application and by technical enquiry to our representatives.

Intellectual property

Titus Group owns the intellectual property rights in its products worldwide whether as trademarks, patents, intellectual, copyright, designs, illustrations, drawings and the 'know how' contained in their design and production. Titus Group respects the equivalent rights in competitors and all other relevant product design rights. To our knowledge our products do not infringe any intellectual property rights of competitors or other parties. Titus Group takes infringements of its rights seriously and will rigorously defend these rights to the full extent of the law.

*Non preferred articles

All Item numbers in the catalogue marked with * are for non preferred items available on extended delivery times.

Trademarks

Titus and Titusonic are registered trademarks of Titus International Ltd. Lama is a registered trademark of Titus d.o.o. Dekani, WoodWelding is a registered trademark of WW SA.

Cabinet Connectors

Product Guide

Page

System 1

Fittings for rigid assembly systems

a highly cost-effective and rigid assembly system for factory, consumer and home assembly

1.9

System 2

Fittings for face-boring applications

face boring applications that provide a tolerant efficient assembly

1.12

System 3

Fittings for face and edge boring

two component rigid face and edge drilling fastening

1.13

System 4

Fittings for face-boring only

a range of low-cost one-piece fittings for high volume home assembly applications

1.15

System 5

Cams and dowels

a comprehensive range of cam and dowel connecting fittings for all cabinet applications

1.19

Page

System 6

Quickfit-Expando connectors

face boring expanding connectors for all cabinet applications

1.40

System 7

Heavy duty cams and dowels

high quality fittings for offices and public furniture

1.50

Connectors

Information

Why Choose Titus?

Titus connectors add value to furniture and to furniture manufacturing

Titus connectors improve the quality of furniture and lower the cost of manufacturing and assembly while ensuring a high degree of customer satisfaction.

The most advanced range of connectors available on the market

Precise and efficient product design. **The broadest possible range of drilling tolerances** ensures reliable assembly and consistently strong joints. **'Klix'** locking feature, the engagement of interlocking teeth on cam and dowel, to prevent joint loosening in service or transit.

Expanding function provides degrees of variation in out-of-tolerance drillings ensuring stronger joints and improved quality of furniture.

Twinstart thread for faster and more stable insertion.

Depth stop collar prevents over-insertion.

Firm tightening for greater confidence in use.

Cam locks at 230° assuring smooth tightening action and greater dowel pull-up.

Quickfit for hand dowel insertion.

Quickfit TL5, new generation steel dowel with quickfit expando technology for insertion in Ø5mm dowel holes.

Quickfit TL2, TL4 with the built-in self adjustment feature for higher drilling tolerances.

Quickloc one piece fitting for faster assembly with integrated expanding cam and dowel.

Zinc+steel dowel for optimal strength and performance.

Precise dowel manufacturing high precision of zinc and strength of steel assures 100% dimensional accuracy.

Easy and quick consumer friendly self-assembly of furniture

Self-assembly furniture offers consumers good value and instant availability of products.

With the aim of providing consumer with simpler instructions, fewer parts and an easier assembly process, Titus has significantly reduced and simplified the number of fittings traditionally required in furniture production.

Titus connectors provide consumers with easy assembly and furniture producers with increased productivity:

- reduced number of assembly parts
- easy assembly instructions
- security of packed parts during transit

CAF Quick & Easy

Consumer Assembly Friendliness

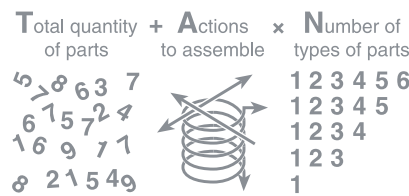
Easy and Quick Furniture Assembly

CAF formula

CAF=Consumer Assembly Friendliness

Titus CAF formula provides a comparative measure for customer satisfaction. By using it manufacturers are able to evaluate their products internally or against those of their competitors.

While offering consumers easier and faster assembly, there are obvious advantages also for furniture manufacturers – buying, counting, bagging and stocking of fittings can be greatly reduced.



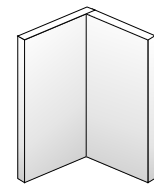
$$(T+A)N = CAF$$

Minimise the numbers in the Titus CAF™ formula to achieve:

- High customer satisfaction
- Improved productivity
- Higher profits

How does it work?

Comparative CAF scores to assemble a hand held demonstrator



	T	A	N	CAF
Connecting screw (traditional assembly)	4	38	3	126
Cam & dowel with single start thread	6	21	4	108
Cam & dowel with twinstart thread	6	15	4	84
Cam & TL2 dowel (self-assembly)	6	7	4	52
Cam & TL2 dowel (factory pre-inserted)	2	3	2	10
Quickloc	2	3	1	5
Fully assembled demonstrator	1	0	1	1

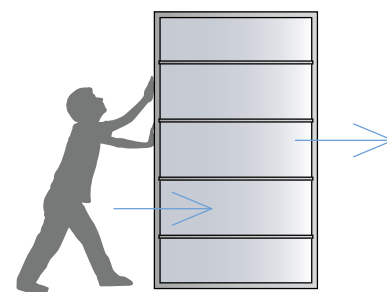
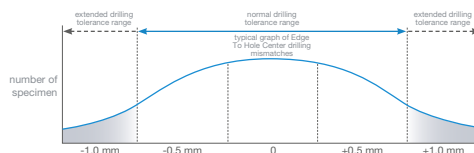
Cabinet Connectors

CAF Quick & Easy

Consumer Assembly Friendliness

Consumer Assembly Friendliness - CAF principle

- Quick assembly with less parts and less assembly steps
- Simple instructions
- Easy and intuitive assembly

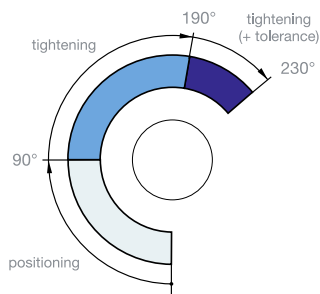


High drilling tolerances

- Optimal cabinet joint even in cases of inaccurate drilling
- In-built self adjustment feature ensures perfectly aligned and precise joints

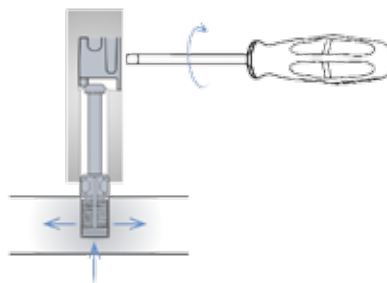
Strong and reliable joints

- High performance joints
- Great cabinet strength even at repeatable assembly or disassembly
- Enhanced resilience even in more demanding applications in tall wardrobes or office furniture



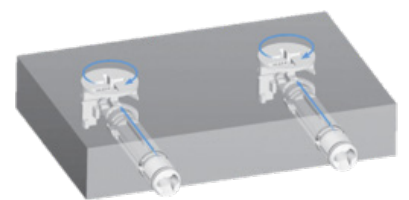
Reliable and comfortable locking

- Smooth and firm tightening at 2 o'clock lock
- Great dowel pull-up for optimal performance
- Strong and reliable joint



Expando function

- Expanding sleeve on dowels assures strong joints and high resistance to pull-out
- Firm fixing in the dowel hole
- Dowels expand and pull the panels together for the strongest joints



Factory pre-insertion

- With Quickfit TL5 and TL2 dowels
- Perfect for RTA market: easier packing and transportation
- The insertion of cams and dowels can be automated using Lama FastFit machine

System 1

Fittings for Rigid Assembly Systems

System Features

Double locking carcass screw

- Zinc diecast for precision
- Titus Double locking carcass screw makes an almost invisible connection
- Collar under the head to pull panels together
- 2nd 'lower' thread pulls against a 'faster' thread to provide maximum connection force and prevents overdriving of fastener
- Almost invisible in position
- Head can be 'fastcapped' or filled

Hi-Lo™ carcass construction screw

The Hi-Lo™ carcass construction screw (CCS) offers a strong, tolerant and cost effective connection with minimal panel preparation.

The combination effect of the elements of a Hi-Lo™ screw means

- A greater differential between drive torque and strip torque in fibrous and particle materials to ensure a reliable and repeatable fixing
- Hi-Lo™ threads provide minimum bursting forces
- 'Hi' thread gives low bursting component force from the sharp 30 degree angle thread
- Lo' thread at 60 degree angle uses the vertical force component to press fibrous and particle components of panels onto the 'Hi' thread and are contained by their greater height
- The very small shank on a Hi-Lo™ screw means less material displacement than conventional threads and enables minimum or partial drilling of pilot holes for speedier panel processing

Barrel nut (plastic)

- Used with Titus Hi-Lo™ screws
- Titus barrel nuts provide maximum strip torque for reasonable drive torque
- Capable of multiple reconnection repeatability

Cover caps

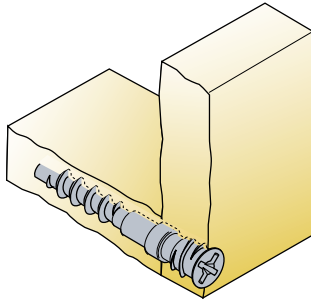
- Available in multiple colors
- All recess and head types offered
- High quality engineering polymers used in their construction
- Uniformity of holding with good tolerance
- Wide range of application and use conditions

System 1

Fittings for Rigid Assembly Systems

Double Locking Carcase Screw

- High performance from widely spaced primary thread
- Finer secondary thread provides additional holding power and positive stop (no stripping)
- Increased support for vertical panel is gained from the funnel head with collar at its base
- One-piece fitting



Technical and mounting details

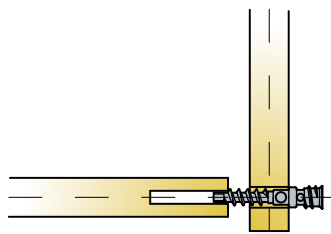
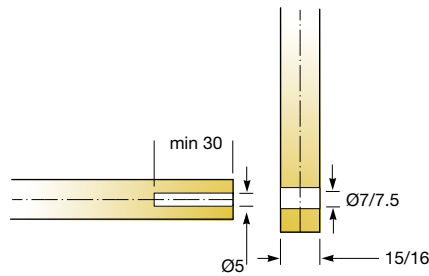
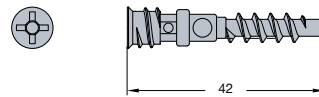
Item number

Zinc

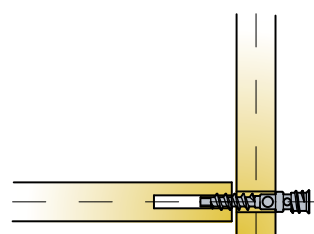
Screw 6x42

00180 →

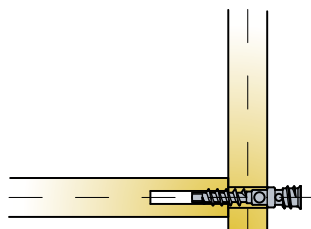
885



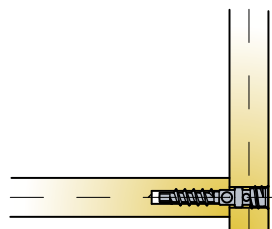
1. Insert screw to shoulder in face board



2. Screw into Ø5mm hole



3. Board joint pulled up by collar on screw



4. Board locked in place by screw

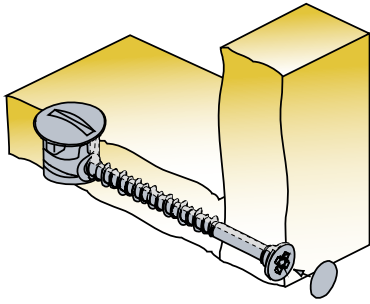
 2000 Pcs Made of zinc

System 1

Fittings for Rigid Assembly Systems

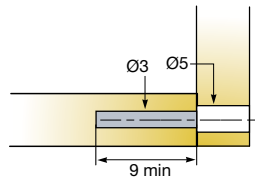
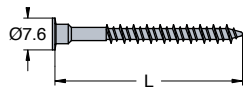
Hi-Lo™ Screw and Barrel Nut

- Hi-Lo™ screws have a twin thread for faster insertion
- 'Hi' threads and 'Lo' threads combine to give excellent pull out in chipboard
- Funnel head design means no countersinking
- Steel is case hardened for extra strength



Technical and mounting details

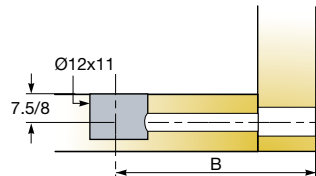
Hi-Lo™ screw



- 10000 Pcs (00062)
- 9000 Pcs (00068)
- 5000 Pcs (06074)
- 7000 Pcs (00071)
- 4000 Pcs (00077)
- 3000 Pcs (00172, 06077, 06080)

Made of steel

Barrel nut



- 10000 Pcs

Made of plastic

Screw cap



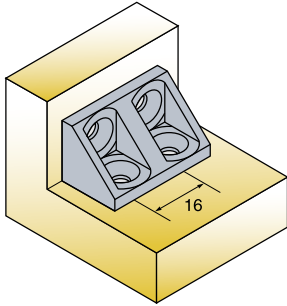
- 50000 Pcs

Made of plastic

A	Screw diameter	D2	Total Length	Item number			
					Black	Phosphate	White
	4	20	25	00062 →		852	
	4	23	28	00068 →		852	
	4	28	338	00071 →		852	
	4	33	38	06074 →		852	
	4	40	45	00077 →		852	
	4	50	55	00172 →		852	
	4	45	50	06077 →		852	
	5	45	50	06080 →		852	
				01056 →		835	877
Other colors on request							
	pozi, philips			01020 →		835	877
	hexagon			01042 →		835	877
Other colors on request							

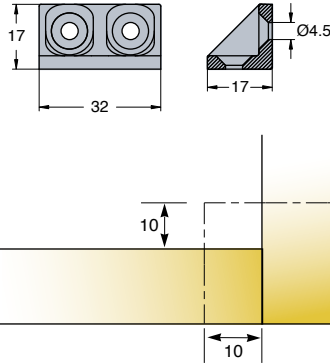
System 2 Fittings for Face-boring Applications

- Range of fixing blocks for multiple applications
- Face drilling only required
- Durable plastic material is flexible providing greater holding power
- Choose screw fastening or hammer insertion



Technical and mounting details

Housing
(no nose)



Item number

White

02077 →

877

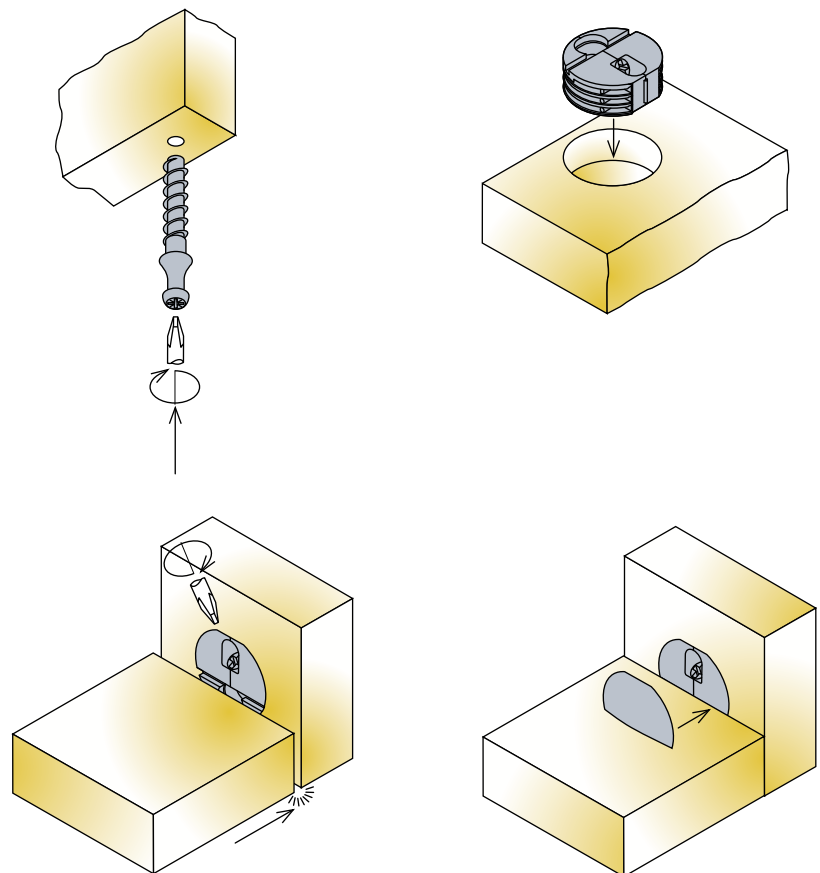
System 3

Fittings for Face and Edge Boring

System Features

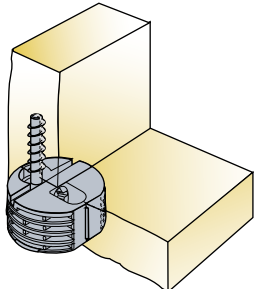

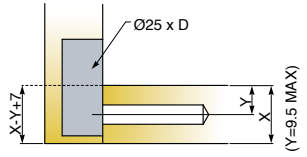


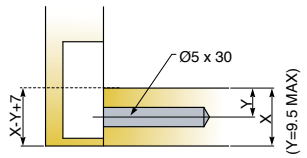


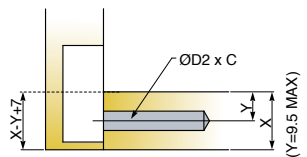

Titus System 3 is a two component rigid face and edge drilled fastening with half turn to fasten. System 3 offers almost full concealment and wide tolerances in use.

- Automatic or in-factory placement
- Pre-location pin ensures ease of assembly
- Less than one turn of a screwdriver to fasten
- Shelf edge installation of pin means maximum shelf cut size tolerance
- Can be used on 12mm shelf panels
- No loose parts for maximum convenience in RTA
- Drawer front fixing, cabinet construction



System 3 Fittings for Face and Edge Boring Concealed Housing

- One turn locking system reduces assembly time, both in the factory and home
- Pre-assembly feature for consumer convenience
- Choice of dowels to suit drilling
- Hi-Lo screw feature for faster insertion

Technical and mounting details		C	D	D2					
Housing assembly		Drilling length for dowel	Drilling depth for housing	Drilling diameter for dowel thread	Item number	Black	Zinc plated	Dark brown	White
 <p>Technical and mounting details</p>									
 <p>X, Y - depends on board thickness</p> 	12.5			03118 →	835		831	877	
<i>Other colours on request</i>									
 2500 Pcs	Made of plastic or zinc, plastic								
Screw dowel Ø5		30		5	03165 →		883		
 <p>X, Y - depends on board thickness</p> 									
 1000 Pcs	Made of steel								
Screw dowel Ø3		25		3	03090 →		883		
 <p>X, Y - depends on board thickness</p> 									
 2000 Pcs	Made of steel								

System 4 Fittings for Face-boring Only

System Features

Cost effective one piece fittings with face boring benefits

- Flush and block components
- Face-boring only
- Good tolerances
- One piece connectors
- Angledriv versions fastening with maximum driving power and flexibility
- Quickloc™ versions need only one turn to tighten for fast assembly
- Foolproof consumer home insertion

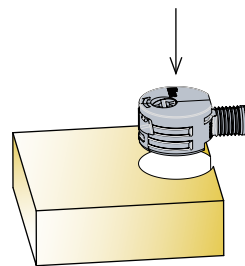
Quickloc™ One-piece connector

The integrated housing and dowel make Quickloc™ the most user-friendly and tolerant product available.

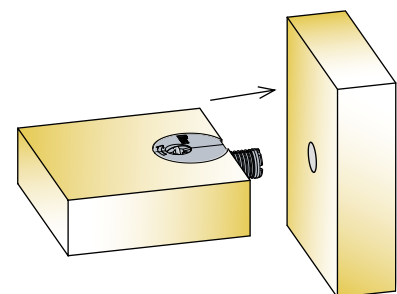
- High degree of drilling tolerance
- Push-in design
- Tool-free insertion
- Integrated expanding housing and dowel provide consistently stronger joints
- 'Klix' locking system

Quickloc™ Assembly

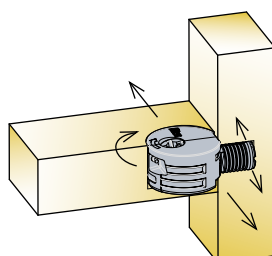
1. Press Quickloc into the face board



2. Assemble the panels



3. Tighten in less than one turn

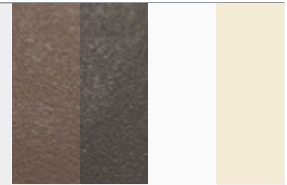


System 4 Quickloc™ One Piece Expanding Connector

- An innovative, one-piece connector, capable of hand insertion
- Highly tolerant and tightens in less than one turn
- Face-bored product
- Offers a high degree of drilling tolerance and is the only connector of its type to provide pull-up of cabinet panels when tightened

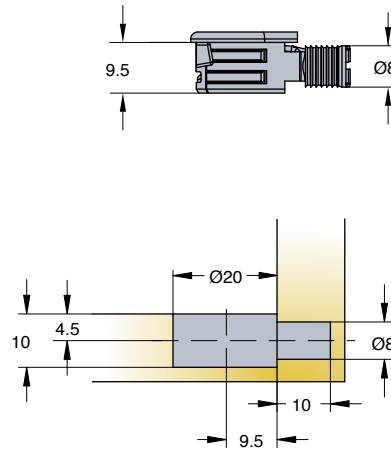


Technical and mounting details



Item number	Dark brown	Black	White	Tan
06803 →	831	835	877	871

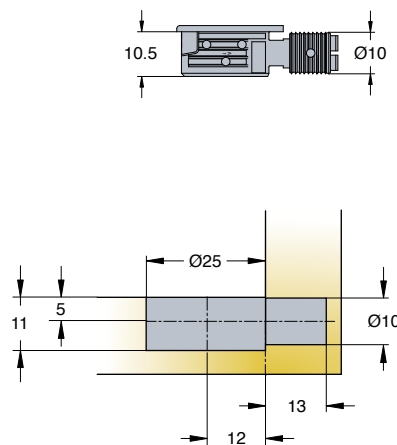
Quickloc Ø20 flanged



2500 Pcs

Made of zinc, plastic

Quickloc Ø25 flanged



1500 Pcs

Made of zinc, plastic

06802 →	831	835	877	
---------	-----	-----	-----	--

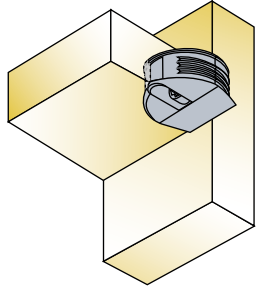
System 4

Fittings for

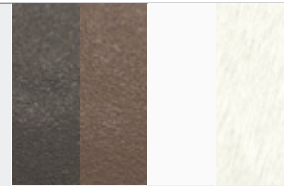
Face-boring Only

Flushbloc™ / Flushfix™

- The Angeldriv screw provides high level of tolerance
- Face drilling only required
- Corner joint and shelf fixing options



Technical and mounting details



Black

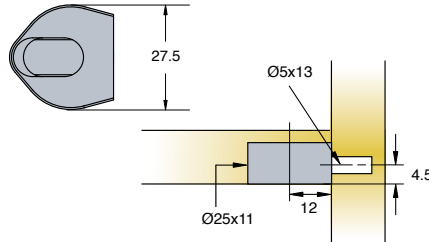
Dark brown

White

Zinc

Item number

Flushbloc™ assembly



02190 →

835

831

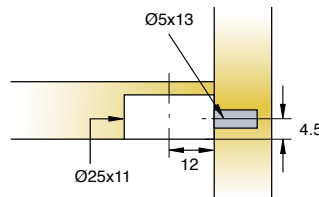
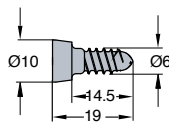
877

Other colours on request

2500 Pcs

Made of plastic

Angeldriv screw for use with Flushfix™



flat head

00022 →

855

Other colours on request

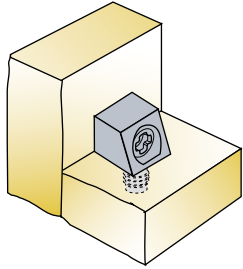
4000 Pcs

Made of zinc

System 4 Fittings for Face-boring Only

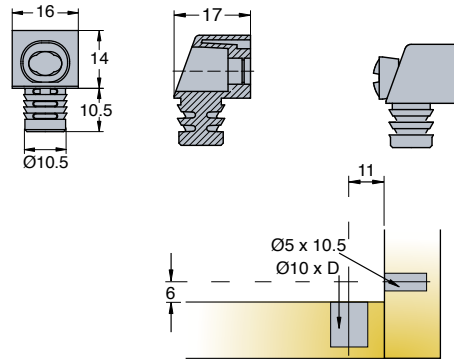
Minibloc™ / Twinbloc™

- One-piece connector range
- Face drilling only required
- Easy to use, foolproof home insertion
- Angledriv screw tolerates good levels of inaccurate drilling increasing consumer confidence



Technical and mounting details

Minibloc Ø10



D	Drilling depth	Color		
		Dark brown	Black	White
	Item number			
11	*02120 →	831	835	877
* Assembly with screw				

2500 Pcs

Made of zinc, plastic

Angledriv screw → see page 1.17

System 5 Cams and Dowels

System Features

The most advanced cam and dowel range

Titus System 5 is a comprehensive range of cam and dowel connecting fittings with 'Klix' and Quickfit features for all cabinet applications: panel-to-panel, panel-to-hollow profile, back-to-back

Dowels

- **Quickfit TL5, 'Full metal jacket'**
a high performance Quickfit dowel for use in multiple wooden materials
- **Quickfit TL2, TL4, TL5 dowels**
a unique solution for factory pre-insertion, high level of drilling tolerances

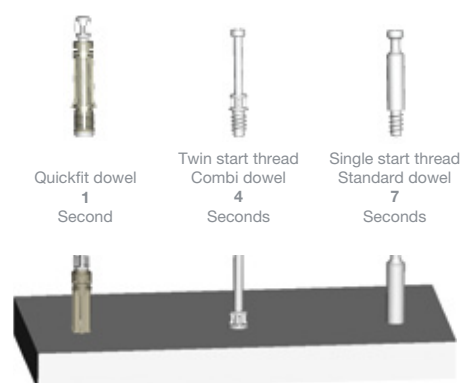
- **Quickfit dowels**
quick hand insertion, easy assembly
- **Diecast dowels (zinc)**
precise manufacturing, optimal shape and design
- **Turned dowels (steel)**
'traditional' design, smooth surface, best strength performance
- **Combi dowels (zinc and steel)**
high precision of zinc, strength of steel, 100% dimensional accuracy and optimal performance

Titus 'Klix'TM

Titus 'Klix' locking system ensures the engagement of the interlocking teeth on cam and dowel providing:

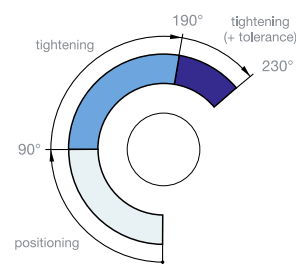
- vibration-proof joint
- rigid construction that will not loosen in service or transit

Dowel insertion time comparison



2 o'clock lock Smooth closing

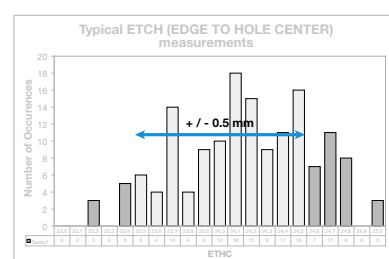
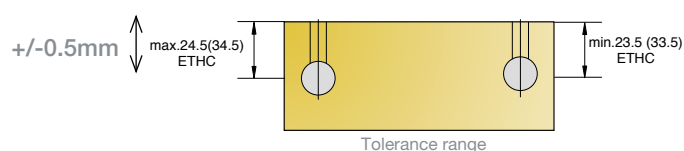
Linear cam profile assures smooth, firm tightening action and greater pull-up. The cam always locks at 2 o'clock lock (230°), enabling greater consumer confidence in use while improving furniture quality.



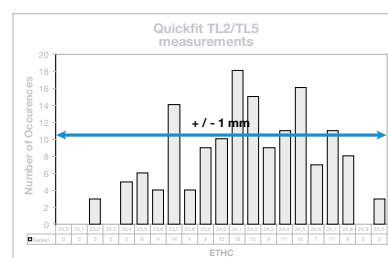
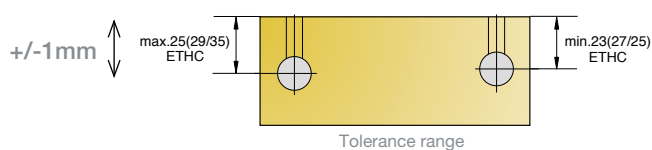
Drilling tolerances

Optimal performance and perfect joint even with inaccurate drillings.

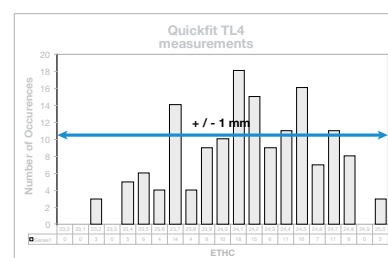
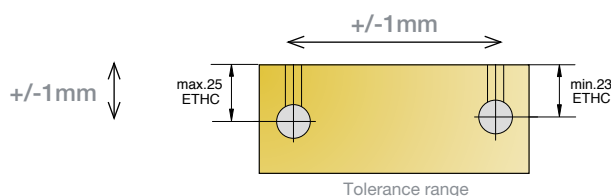
Zinc/Combi dowel



Quickfit TL5 dowel, Quickfit TL2 dowel



Quickfit TL4 dowel

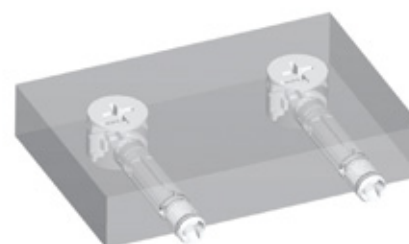


ETHC=Edge To Hole Center

Dowels for factory insertion

Quickfit TL5 and Quickfit TL2 are the only available dowels allowing factory preinsertion with Titus FastFit machine

- Easier packing
- Less damages in handling
- Perfect for the RTA market



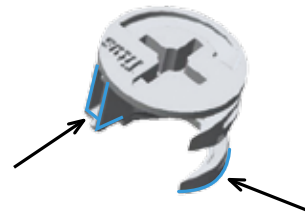
System 5 Cams and Dowels

Cam5000

Highly resistant joint for strong cabinet construction

Reinforced cam evenly engages the hole and prevents cam tilting and cam bursting.

Increased joint resistance enables effective performance in wider tolerance range.



Linear cam profile

Linear cam profile ensures:

- Smooth tightening action
- Greater dowel pull-up



Cam retaining pips

Cam retaining pips ensures:

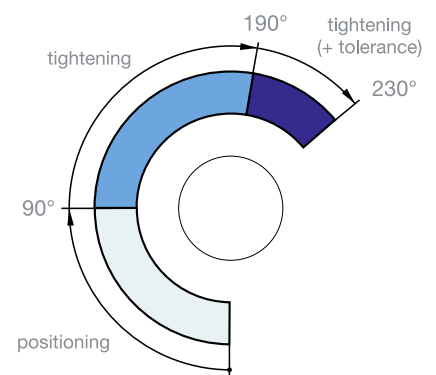
- The cam is held in position prior to assembly
- Secure cam positioning during transport and handling
- Accurate factory insertion



2 o'clock lock

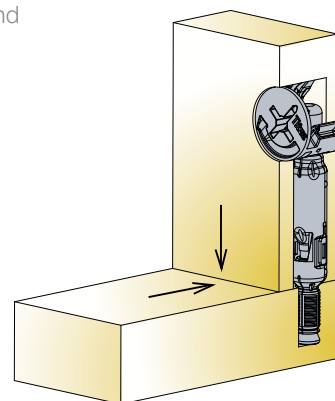
Smooth and noticeable locking at the 2 o'clock position guarantees:

- always-right tightening for home assembly
- strong and rigid cabinet construction



Optimised cam profile

Optimised cam profile ensures smooth and tight joint with no gap between panels.



Optimal performance with all Titus dowels

Quickfit TL, Quickfit, Combi, end, double ended, angled and other screw-in dowels



System 5 Cams and Dowels

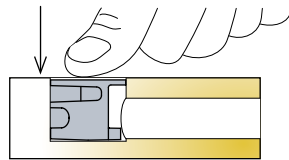
Quickfit Connectors

It is the fastest assembly system on the market. The Quickfit™ dowel may be inserted by hand, using only finger pressure. This eliminates the labour intensive process of screw-in assembly and the potential panel damage.

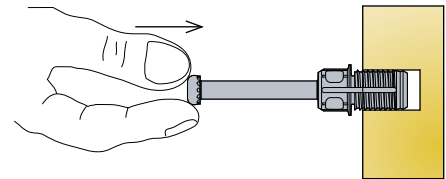
The Quickfit™ range of dowels has been extended to provide a complete family of fittings available in diameters of 5mm, 8mm, 10mm and lengths of 24mm and 34mm. These dowels are compatible with the range of Titus Ø15mm cams.

Assembly

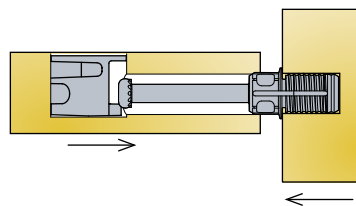
1. Press the cam into face board



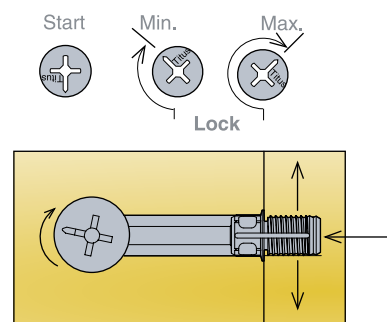
2. Insert the dowel into side panel



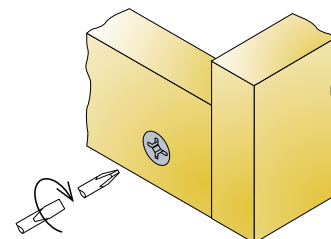
3. Assemble the panels



4. Tighten the cam to lock dowel



5. Assembled panels



Quickfit TL Connectors

Quickfit-TL™ dowel offers furniture manufacturers a fast assembly system providing high drilling tolerances. It has a built-in self-adjustment feature, which enables common drilling inaccuracies to be overcome.

For the self-assembly furniture consumer, Titus Quickfit-TL™ is the most consumer friendly fitting on the market. Apart from the benefit of fully tightened joints and easy locking into the same position, Quickfit-TL™ provides an exceptionally smooth action when tightened, requiring very little effort.

Drilling tolerances

Marginal inconsistencies of drilling and the problems associated with the natural movement of wood panels, no longer present problems.

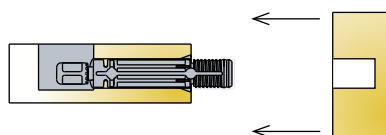
Quickfit-TL™ provides a tolerance of ± 1 mm on drilling operation while ensuring that the final result is a perfectly precise and aligned joint. No other assembly fittings system can offer such tolerances and still maintain a perfect joint.

Assembly

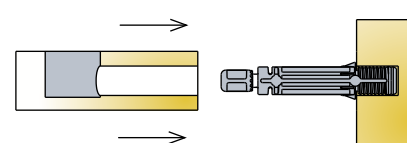
1. Press the cam into face board



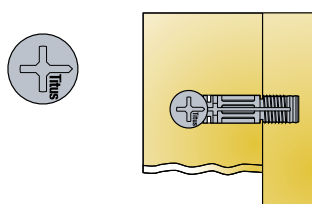
2a. Either push dowel into edge hole or...



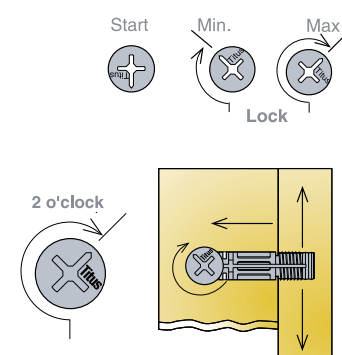
2b. Insert the dowel into side panel



3. Assemble the panels



4. Tighten cam to lock dowel

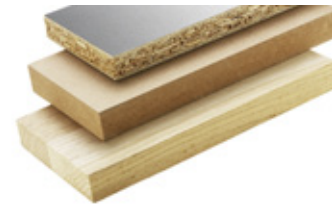


System 5 Cams and Dowels

Quickfit TL5 'Full Metal Jacket'

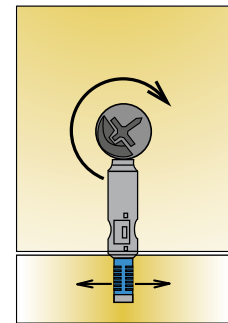
Effective performance in multiple wooden materials

- Smooth and noticeable locking at the 2 o'clock position guarantees:
- tight joints
 - always-right tightening at home assembly
 - strong and rigid cabinet construction



Strong and reliable joint

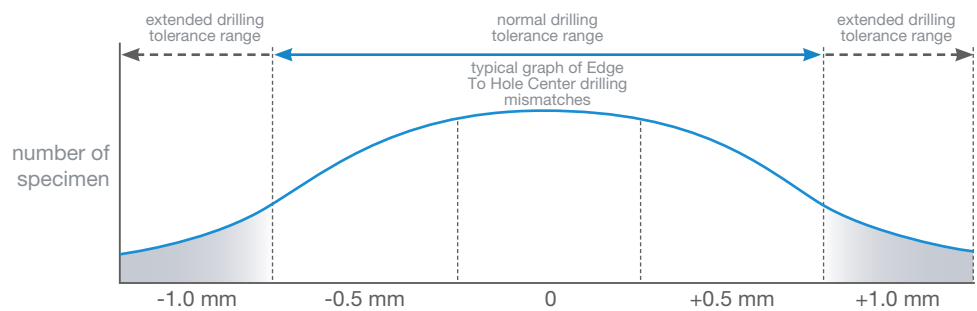
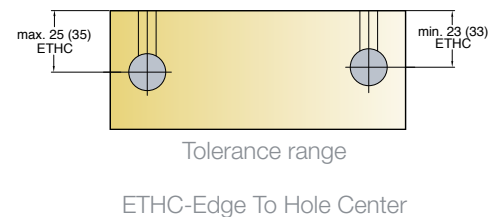
Expanding steel sleeve assures high resistance to torsion and pull-out.



High drilling tolerances

An extended dowel head design works as a positive stop against the cam and provides an ETHC tolerance of min. +/-1mm

Fully tightened joint assured even at marginal inconsistencies of drilling and problems associated with the natural movement of wood panels.



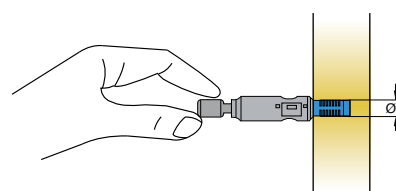
Shape of dowel sleeve

- Acts as a positive stop when face inserted
- Ensures correct insertion depth



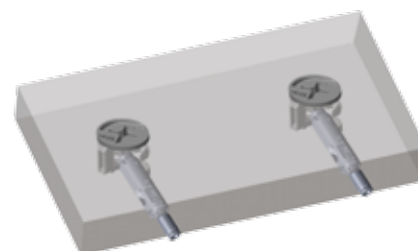
Tool-free insertion for Ø5mm dowel holes

Quickfit TL5 reliably engages the 5mm dowel hole. It enables the usage of tool-less Quickfit dowel insertion technology across a wide range of applications.

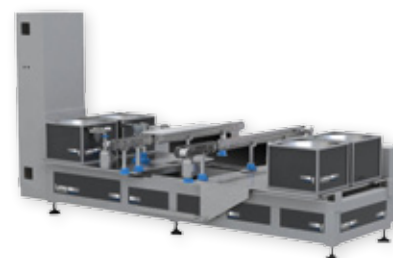


50% less time to assemble the cabinet at home

When edge inserted the dowel engages the cam and remains securely positioned until the boards are locked together.



For maximum efficiency the insertion process can be automated using the Titus proprietary Lama FastFit machine.



Fast and easy cabinet assembly at home.

CAF Quick & Easy
Consumer Assembly Friendliness

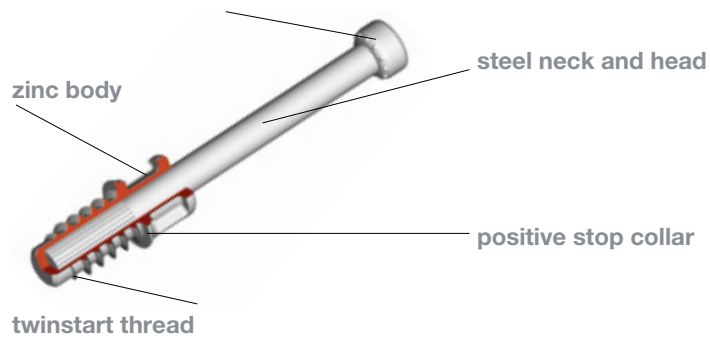
System 5 Cams and Dowels

Zinc+steel Combi Dowels

**Zinc+steel
technology for
optimal strength
and performance**

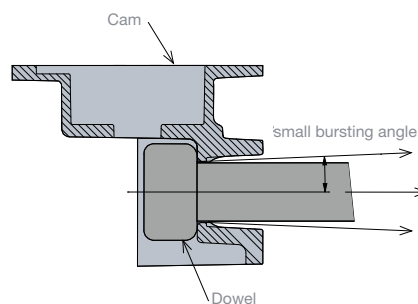
The Combi dowel combines steel and a small amount of zinc to ensure high precision and dimensional accuracy, essential to provide furniture manufacturers with the broadest possible range of drilling tolerances.

toroidal head form

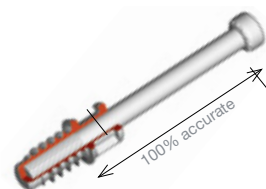


The steel neck and head provide better resistance to torsion and pull-out enabling a high performance joint

Zinc body:
Positive stop collar ensures correct insertion depth
Twinstart for faster and more stable insertion



The toroidal dowel head form transfers the forces between cam and dowel more effectively resulting in a small cam bursting force.



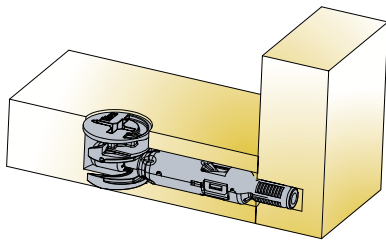
**100% dimensional accuracy
assured**

System 5

Quickfit TL5

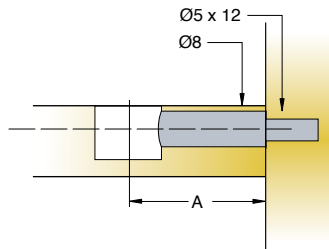
'Full Metal Jacket'

- Tool-free insertion technology for Ø5mm dowel holes
- Drilling tolerances of +1/-1mm when edge or face inserted
- Expanding steel sleeve assures a strong joint, highly resistant to pull-out
- Functions in multiple wooden materials (chipboard, MDF, solid wood)

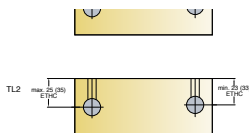


Technical and mounting details

Quickfit TL5 dowel



Edge to hole tolerance



Tolerance range

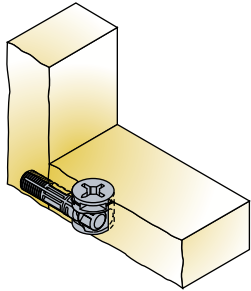
Drilling distance	Item number	TeraBlack
A		
34	09652 →	956
24	09651 →	956
To be used with Cam5000 only		

System 5

Cams and Dowels

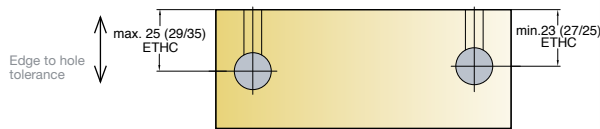
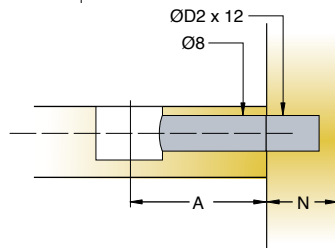
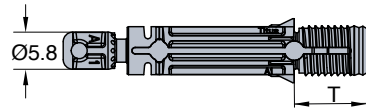
Quickfit TL Dowels

- Available in Ø5mm and Ø8mm for panel-to-panel applications
- Suitable for use with all Ø15mm Cam3000 S and Cam5000 products
- 'Klix' locking feature provides a strong, vibration proof joint
- Highly tolerant in edge-inserted, TL4 also in face-inserted applications



Technical and mounting details

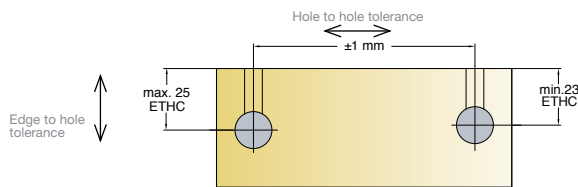
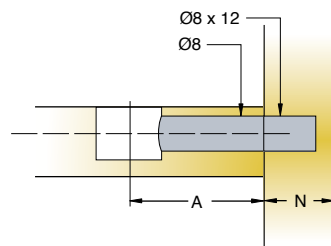
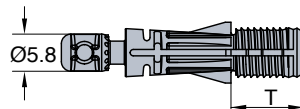
Quickfit TL2



Tolerance range

2000 Pcs
1000 Pcs (05474) Made of zinc, plastic

Quickfit TL4



Tolerance range

3000 Pcs Made of zinc, plastic

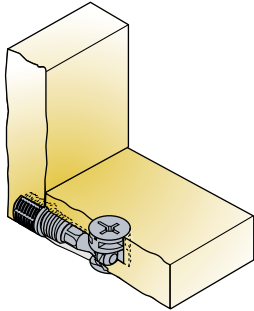
A	N	T	D2	Item number	Black	Dark grey
Drilling distance	Drilling depth	Thread length	Drilling diameter for dowel thread			
24	12	11.5	8	05441 →		880
34	12	11.5	8	05474 →		880
24	12	11.5	8	05388 →	835	

System 5 Cams and Dowels

Quickfit Dowels

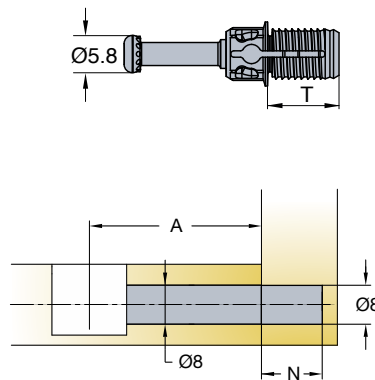
Quickfit P2F Dowels

- Available in Ø5mm, Ø8mm and Ø10mm for panel-to-panel applications
- Suitable for use with all Ø15mm Cam2000, Cam3000 and Cam5000 products
- 'Klix' locking feature provides a strong, vibration proof joint
- Depth stop collar for accurate insertion



Technical and mounting details

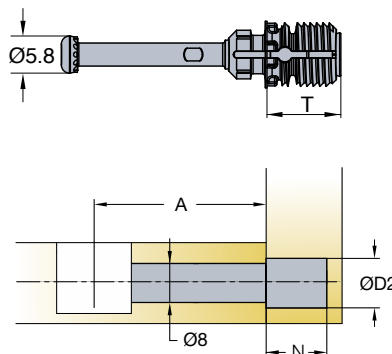
Quickfit dowel
Ø8mm



2000 Pcs

Made of zinc, plastic

Quickfit dowel
Ø10mm



2000 Pcs

Made of zinc, plastic

A	N	T	D2	Item number	Dark grey
Drilling distance	Drilling depth	Thread length	Drilling diameter for dowel thread		

24	12	11.2	8	05563 →	880
----	----	------	---	---------	-----

24	12	11.5	10	05052 →	880
----	----	------	----	---------	-----

34	12	11.5	10	05050 →	880
----	----	------	----	---------	-----

34	9.5	9.2	10	05147 →	880
----	-----	-----	----	---------	-----



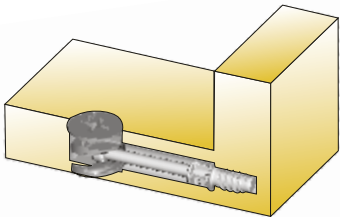

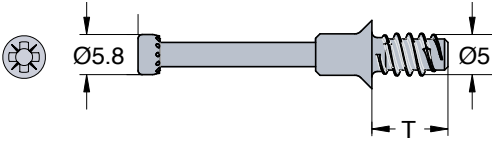
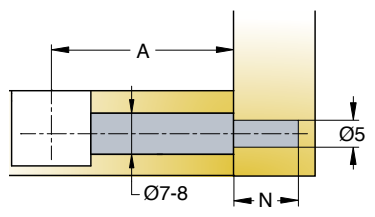



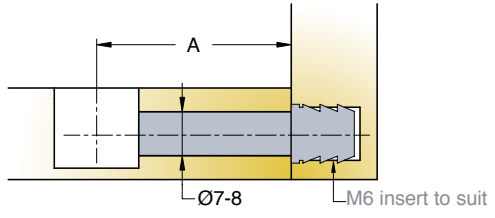

To be used with Cam5000 only

System 5

Cams and Dowels

Combi Dowel

- High quality zinc-steel dowel with greater resistance to torsion and pull-out
- Suitable for use with all Ø12mm and Ø15mm Cam2000, Cam3000 and Cam5000 products
- 'Klix' locking feature provides a strong, vibration proof joint
- Twinstart thread for faster and reliable insertion

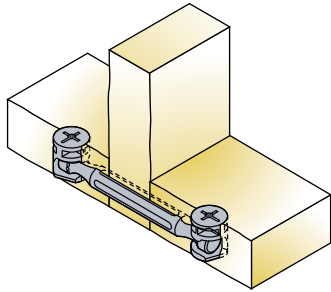
 Technical and mounting details		A	N	T	Item number	Zinc
		Drilling distance	Drilling depth	Thread length		
Combi dowel Ø5   	Philips PH2 head	34	12	11	*09424 →	885
	Philips PH2 head	24	12	11	*09423 →	885
	Philips PH2 head	34	9	8.5	*09456 →	885
 2000 Pcs Made of steel and zinc						
Combi dowel M6   		34		8	09592 →	885
		34		10.5	09594 →	885
	X → drilling depth of M6 insert					
 1000 Pcs Made of steel and zinc						

System 5

Cams and Dowels

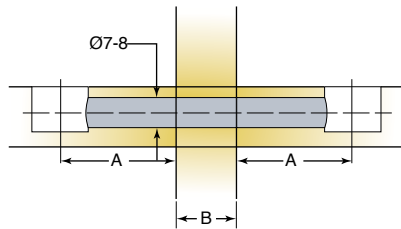
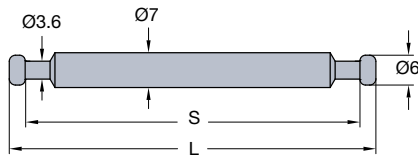
Double-ended Dowel

- Available in Ø7mm
- Suitable for use with all Ø12mm and Ø15mm Cam2000, Cam3000 and Cam5000 products
- No circlip for increased tolerance
- Available in a variety of lengths to suit most panel-to-panel applications



Technical and mounting details

Dowel without circlip



S	L	A	B	Item number	Zinc plated
Length	Total length	Drilling distance	Panel thickness		
41	47.4	24	0*	05929 →	883
61	67.4	34	0*	05757 →	883
80	86.4	34	19	05753 →	883
60	66.4	24	19	05778 →	883

*B=0 → no panel required

- 2000 Pcs (05929)
- 1000 Pcs (05757)
- 500 Pcs (05778)
- 250 Pcs (05753)

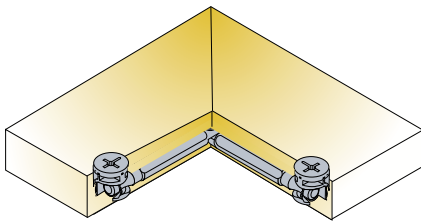
Made of steel

System 5

Cams and Dowels

Angled Dowels

- Suitable for applications requiring angled joints
- Suitable for use with all Ø12mm and Ø15mm Cam2000, Cam3000 and Cam5000 products
- Adjustable angle from 90° to 180°



Technical and mounting details

Item number



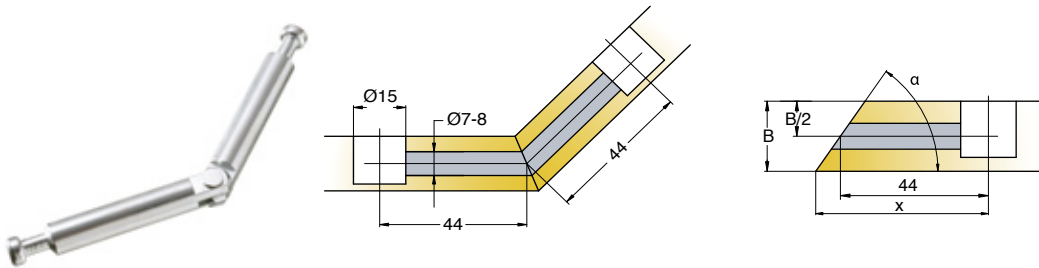
Zinc

Zinc plated

Angled dowel
180° fixed

05860 →

883



Distance x in mm

Q	20°	25°	30°	35°	40°	45°	50°	55°	60°	65°	67,5°	70°	75°	80°	85°	
13	61.9	57.9	55.3	53.5	51.7	50.5	49.5	48.6	47.8	47	46.7	46.4	45.7	45.1	44.6	
15	64.6	60.1	57	54.7	52.9	51.5	50.3	49.3	48.3	47.5	47.1	46.7	46	45.3	44.7	
16	66	61.2	57.9	55.4	53.5	52	50.7	49.6	48.6	47.7	47.3	46.9	46.1	45.4	44.7	
B	18	68.8	63.3	59.6	56.9	54.7	53	51.6	50.3	49.2	48.2	47.7	47.3	46.4	45.6	44.8
	19	70.1	64.4	60.5	57.6	55.3	53.5	52	50.7	49.5	48.4	47.9	47.5	46.5	45.7	44.8
	22	74.2	67.6	63.1	59.7	57.1	55	53.2	51.7	50.4	49.1	48.6	48	46.9	45.9	45
	23	75.6	68.7	63.9	60.4	57.7	55.5	53.6	52.1	50.6	49.4	48.8	48.2	47.1	46	45

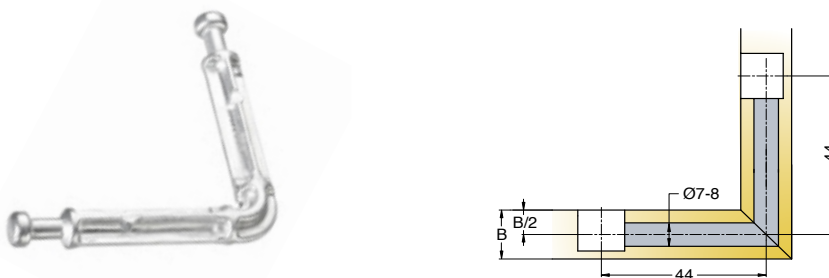
650 Pcs

Made of steel

Angled dowel
90° fixed

05282 →

885



1000 Pcs

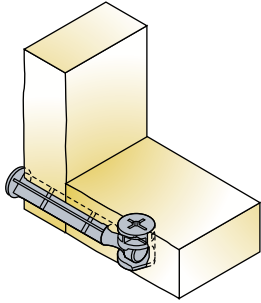
Made of zinc

System 5

Cams and Dowels

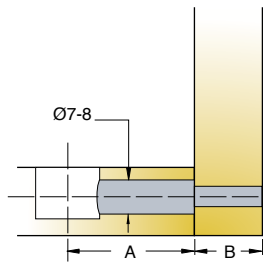
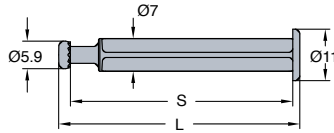
End Dowels

- Available in a variety of head and length combinations to suit most end panel applications
- Suitable for use with all Ø12mm and Ø15mm Cam2000, Cam3000 and Cam5000 products
- 'Klix' locking feature provides a strong, vibration proof joint
- Both 'mushroom' and countersunk headed versions available



Technical and mounting details

Mushroom dowel



A	B	S	L	Item number	Zinc
Drilling distance	Panel thickness	Length	Total length		
24	19	39.5	43.5	05609 →	885
34	19	49.5	53.5	05611 →	885

Other colours on request

1000 Pcs

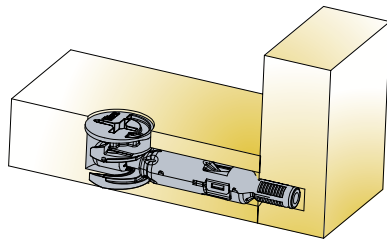
Made of zinc

System 5

Cams and Dowels

Ø15mm Cam5000

- Improved central shape for highly resistant joint
- Suitable for use with all Titus dowels
- 'Klix' locking feature provides a strong, vibration proof joint
- Cam retaining pips ensure that a cam is held in panel position prior to assembly

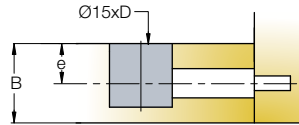
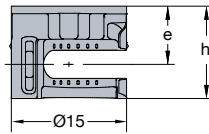


Technical and mounting details

	B	D	e	h	Item number	Zinc	TeraBlack
Panel thickness							
Drilling depth							
Drilling for dowel							
Cam height							

Cam5000 cross drive

PZ2 drive 



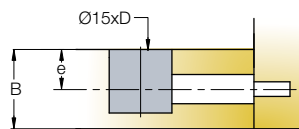
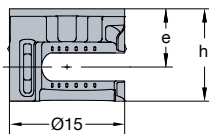
12/13	10.5	6 min	9.9	09695 →	885	959	
15/16	12.5	7.5-8	11.9	09690 →	885	959	
<i>Use standard cover caps with pin=Ø4mm</i>							

 1000 Pcs

Made of zinc

Cam5000 hexagonal drive

combined drive with HEX 



15/16	12.5	7.5-8	11.9	09699 →	885	959
18/19	14	9-9.5	13.2	09692 →	885	959

Use standard cover caps with pin=Ø4mm

 1000 Pcs

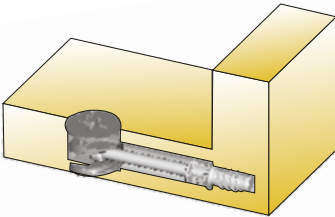
Made of zinc

System 5

Cams and Dowels

Ø15mm Cam3000

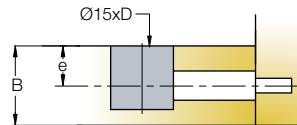
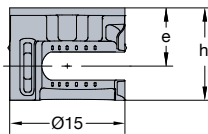
- Its optimised shape provides a more efficient cam profile with smooth tightening action and greater dowel pull-up
- Suitable for use with Combi dowels, forged steel dowels, Quickfit dowels and Quickfit TL dowels
- 'Klix' locking feature provides a strong, vibration proof joint
- Cam-retaining pips ensure that a cam is held in panel position prior to assembly



Technical and mounting details

B	D	e	h	Item number	Zinc
Panel thickness	Drilling depth	Drilling for dowel	Cam height		
12/13	10.5	6 min	9.9	09495 →	885
15/16	12.5	7.5-8	11.9	09533 →	885

Cam3000 cross drive



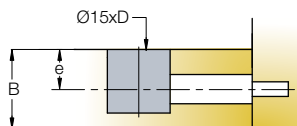
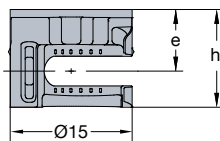
Black available upon request

1000 Pcs

Made of zinc

Cam3000 hex drive

combined drive with HEX



15/16	12.5	7.5-8	11.9	09537 →	885
18/19	14	9-9.5	13.2	09536 →	885

Use standard cover caps with pin=Ø4mm

Black available upon request

1000 Pcs

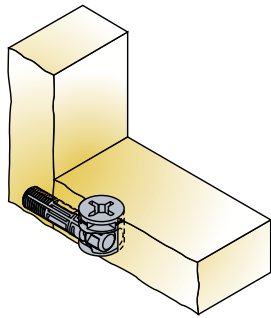
Made of zinc

System 5

Cams and Dowels

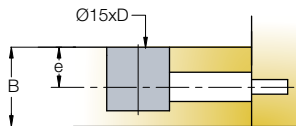
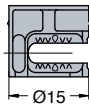
Ø15mm Cam2000

- Available in a variety of head, drive recess and board thickness versions to suit most applications
- Suitable for use with all Titus dowels
- 'Klix' locking feature provides a strong, vibration proof joint
- Linear cam profile results in smooth, easy cam rotation and dowel pull-up



Technical and mounting details

Cam2000
Ø15



cross drive 

HEX drive 

	B	D	e			
	Panel thickness	Drilling depth	Drilling for dowel	Item number	Nickel	Zinc
	12/13	10min	6-6.5	*05587 →	847	885
	12/13	10.9	6-6.5	05653 →	847	885
	15/16	12.7	7.5-8	05644 →	847	885
	15/16	12.7	7.5-8	05654 →	847	885
	18/19	14	9-9.5	05656 →	847	885
	22/23	16	11-11.5	05657 →	847	885
	25/26	17.9	12.5-13	05676 →	847	885
	28/29	19.4	14-15.5	05678 →	847	885

Other finishes on request

***Ultraflat** - specially designed for thin panels
(does not work with TL dowels)



500 Pcs (05675, 05677, 05679)
1000 Pcs

Made of zinc



Cover caps for Ø15 cams
Made of plastic

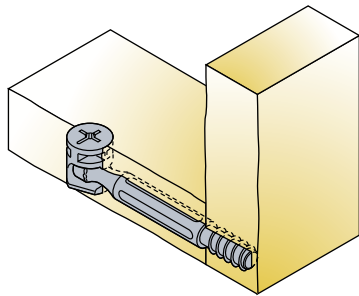
→ see page 1.39

System 5

Cams and Dowels

Ø12mm Cam2000

- Suitable for all Titus screw-in dowels
- Available in a variety of head, drive recess and board thickness versions to suit most applications
- Particularly suited to drawer front attachment applications
- 'Klix' locking feature provides a strong, vibration proof joint
- Linear cam profile results in smooth, easy cam rotation and dowel pull-up

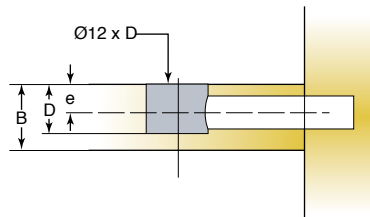
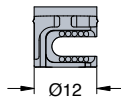


Technical and mounting details

Cam2000
Ø12



B	D	e	Item number	Zinc
Panel thickness	Drilling depth	Drilling for dowel		
12/13	10 min	6-6.5	05575 →	885



Other finishes on request

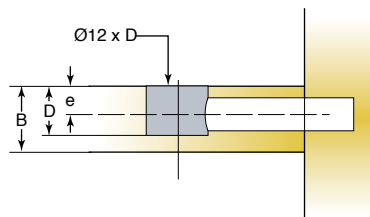
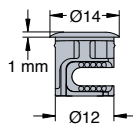
2000 Pcs

Made of zinc

Cam2000
Ø12 headed



12	10 min	6	05389 →	885
----	--------	---	----------------	-----



Other finishes on request

1000 Pcs
2000 Pcs (05576)

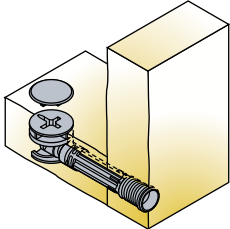
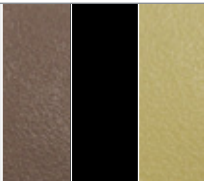

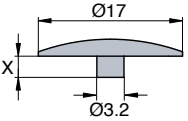


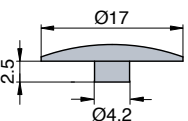

Made of zinc

Cover caps for Ø12 cams
Made of plastic

→ see page 1.39

System 5 Cover Caps

- Available in a variety of colours
- Suitable for use with both pozi and hex cam drive features
- Suitable for use with various diameter cams
- Both domed and flat versions available

 Technical and mounting details		X				
			Item number	Dark brown	Black	Light brown
Cover cap Ø17  	3.3	*01029 →	831	835	867	877
<i>Other colours on request</i> <i>Works with PZ2 drive caps:</i> <i>05644, 09533, 09495, 09690, 09695</i>						
 25000 Pcs Made of plastic						
Cover cap Ø17  		277-4225 →		390		350
<i>Other colours on request</i> <i>Works with HEX drive cams:</i> <i>05654, 05656, 09692, 09536, 09537</i>						
 1000 Pcs Made of plastic						

System 6

Quickfit-Expando

Connectors

System Features

A face boring connector family for 32mm system drilling with full range of panel and application variants for all cabinet manufacturing applications

- Minimum drilling requirements
- Linear cam design for constant tightening loads when driving
- Angledriv feature on cam for maximum driving comfort
- Interchangeable pins for wood, plastic and steel applications
- Pins with twinstart drive for fast insertion
- Interchangeable Quickfit pin fastenings available
- Tool-less fastening capable versions
- Back-to-back fastenings for common vertical panel fixing of shelves

System 6 consists of a range of 20mm diameter housing, Quickfit™ and conventional dowels, end dowels and double ended dowels.

Housings are made from high grade plastic or zinc, with zinc cams.

Wedgefix-6 connector is a special fastener without cam, simply to snap onto a pre-inserted dowel.

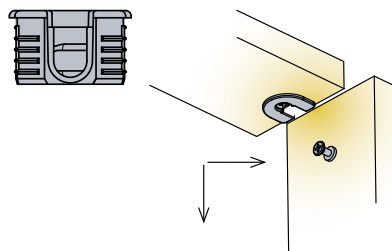
Applications

Titus System 6 is ideal for use in high volume production of case goods, closet and garage storage systems. Because no

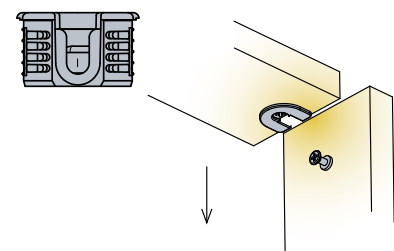
edge boring is required, it is an excellent choice for manufacturing environments with limited drilling capacity.

Side-entry Drop-on

Side-entry insertion of shelf panel: from the side or from the top

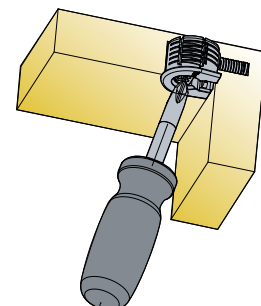


Drop-on insertion of shelf panel: only from the top
Using drop-on connections allows for one-man installation



Angledriv feature

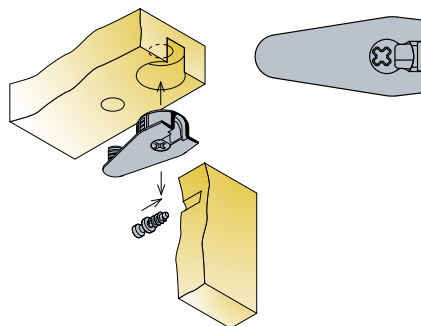
The angledriv feature on the cam allows for the angled position of the screwdriver with the locking action creating a tight and secure joint.



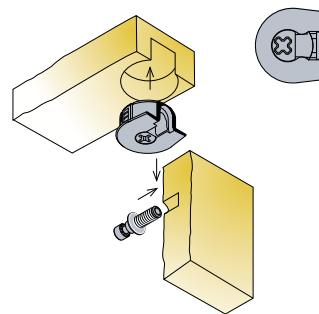
System Features

Outrigger/ Non outrigger

Outrigger

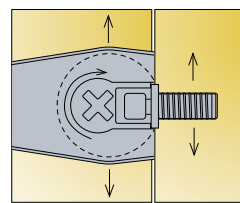
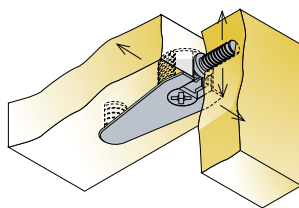


Non outrigger



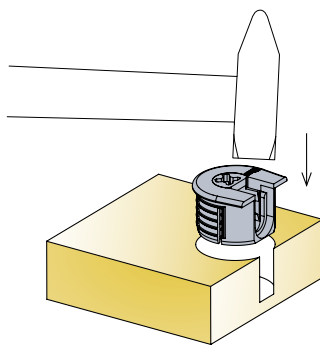
Expando function

Expanding housings and dowels provide a tight joint.

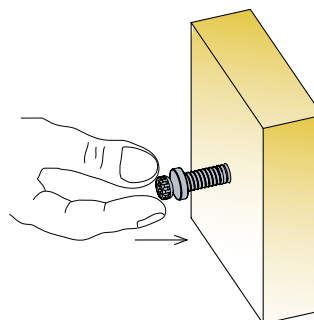


Assembly

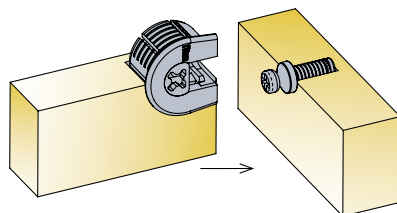
1. Knock the housing into face board



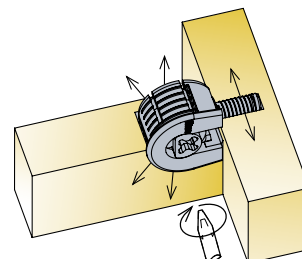
2. Press the dowel into side panel



3. Assemble the panels



4. Tighten the joint

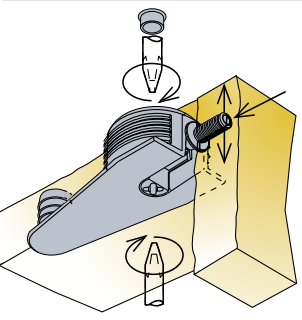

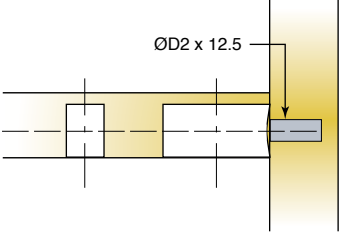

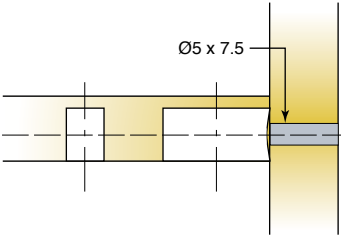


System 6

Quickfit-Expando

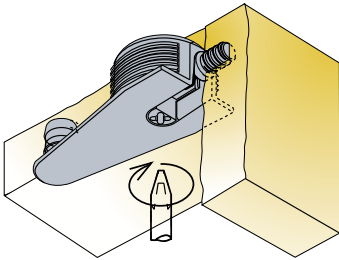
Expanding Dowels

- Available in Ø5mm, Ø8mm and Ø10mm for panel-to-panel, panel-to-hollow profile and back-to-back applications
- Suitable for applications with all Titus Ø20 and Sys 6 housings
- 'Klix' locking feature provides a strong, vibration proof connection
- Depth stop collar for accurate insertion

 <p>Technical and mounting details</p>	D2	Drilling diameter for dowel thread	Item number	Dark grey
<p>Dowel</p>  <p>D2= Ø5mm</p>  <p>Ø2 x 12.5</p> <p>5000 Pcs</p> <p>Made of zinc, plastic</p>		5	06408 →	880
<p>Dowel Ø5 x 7.5 back-to-back applications</p>   <p>Ø5 x 7.5</p> <p>5000 Pcs</p> <p>Made of zinc, plastic</p>			06479 →	880

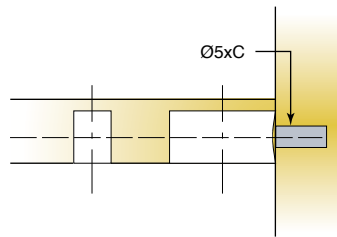
System 6 Quickfit Dowel

- Available in various Ø3mm and/or Ø5mm thread forms for screw-in, knock-in and/or 'spiked' hole applications
- Suitable for applications with all Titus Ø20mm and Sys 6 housings
- 'Klix' locking feature provides a strong, vibration proof connection
- Dowels feature an integral skirt which acts as a positive stop during insertion



Technical and mounting details

Dowel Ø5



C	Drilling depth for dowel thread	Item number	Material	
			Zinc	Steel
	9	06401 →	885	
	8	06402 →	885	883
	11.5	06406 →	885	883

4500 Pcs (steel)
5000 Pcs (zinc)


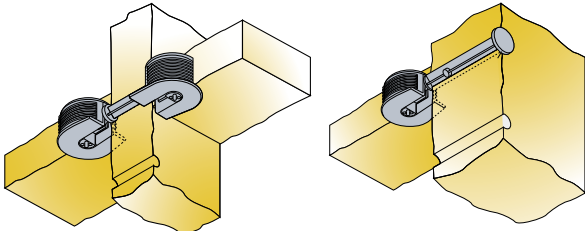


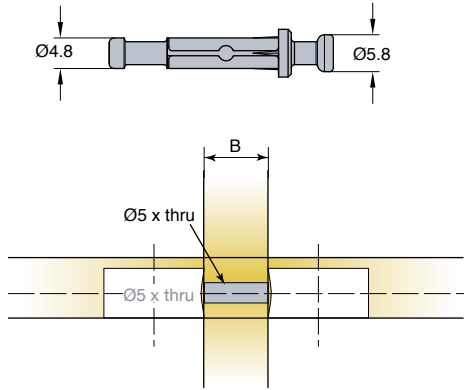


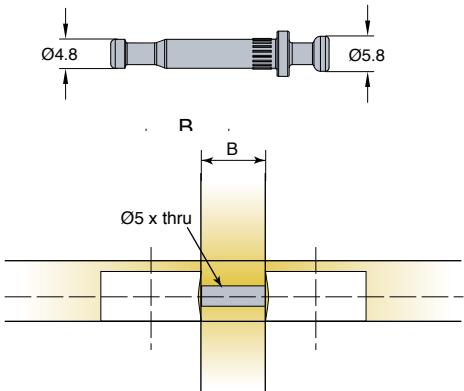


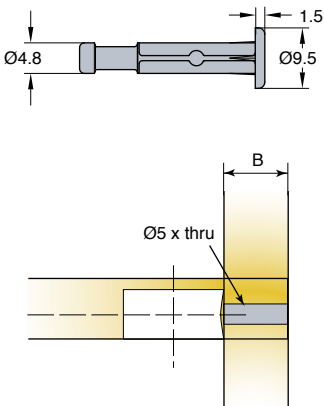
Made of zinc or steel

System 6

Double-ended Dowels

End Dowels

- For 16mm, 18mm and 19mm board
- Suitable for applications with all Titus Ø20mm and Sys 6 housings
- 'Klix' locking feature provides a strong, vibration proof connection


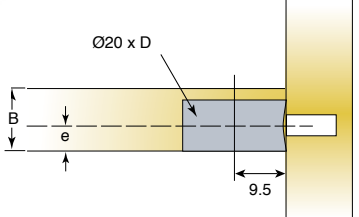
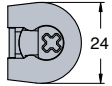

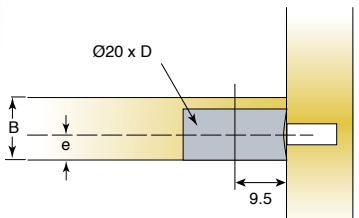
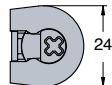

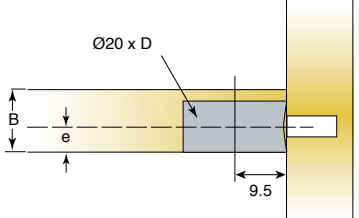
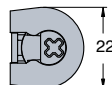
		B			
		Panel thickness	Item number	Steel	Zinc
 <p>Technical and mounting details</p>					
Double-ended dowel   2500 Pcs	Made of zinc 	16	06414 →		885
		19	06416 →		885
Double-ended dowel   2500 Pcs	Made of steel 	19	06389 →	883	
End dowel   2500 Pcs	Made of zinc 	16	06412 →		885
		19	06415 →		885

System 6

20mm Knock-in Housing

Non-outrigger

- Available in 15mm/16mm and 18mm/19mm versions for drop-on and/or side-entry applications
- Available in all-metal or plastic/metal options
- 'Klix' locking feature provides a strong vibration proof connection
- Compatible with all Sys 6 screw-in and Quickfit dowels

Technical and mounting details		e	B	D	Item number	Maple	Brown	Light grey	Black	White	Silver	Nickel plated
Side-entry   2500 Pcs Made of plastic		7.75	15/16	12.5	06381 →	841	898		835	877	861	861
		9.25	18/19	14	06385 →	841	898		835	877		
<i>Other colours on request</i>												
Drop-on   2500 Pcs Made of plastic		7.75	15/16	12.5	06383 →	841	898	882	835	877		
		9.25	18/19	14	06387 →	841	898	882	835	877	861	
<i>Other colours on request</i>												
Drop-on   500 Pcs Made of zinc		7.75	15/16	12.5	06447 →							847
		9.25	18/19	14	06449 →							
<i>Other colours on request</i>												

System 6

20mm Knock-in Housing

Outrigger

- Available in 15mm/16mm and 18mm/19mm versions for drop-on and/or side-entry applications
- Available in all-metal or plastic/metal options
- 'Klix' locking feature provides a strong vibration proof connection
- Compatible with all Sys 6 screw-in and Quickfit dowels

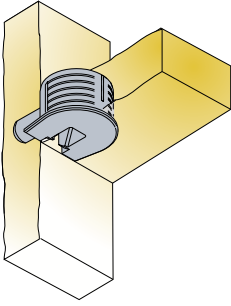

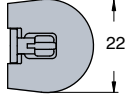
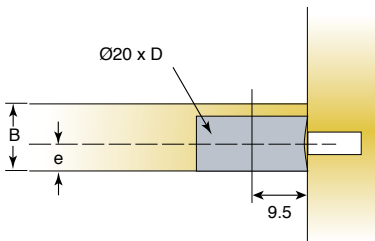

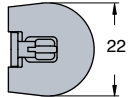
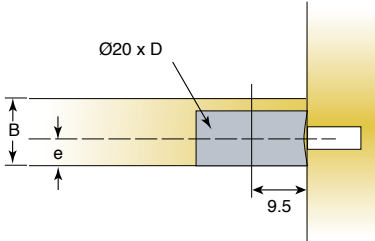
Technical and mounting details		e	B	D	Item number	Maple	Brown	Light grey	Black	White	Silver	Nickel plated
<p>Technical and mounting details</p>												
Side-entry		9.25	18/19	14	06395 →	841	898		835	877	861	
<p>1250 Pcs Made of plastic</p>		Other colours on request										
Drop-on		7.75	15/16	12.5	06439 →	841	898	882	835	877		
<p>1250 Pcs Made of plastic</p>		9.25	18/19	14	06397 →	841	898	882	835	877	861	
		Other colours on request										
Drop-on		7.75		12.5	06455 →							847
<p>500 Pcs Made of zinc</p>		9.25		14	06457 →							847
		Other colours on request										

System 6

Wedgefix Housing

(no Inner Cam)

- Available in 12mm, 15mm/16mm and/or 18mm/19mm versions for Quickfit-6 and/or Standard Dowel applications
- Available in a variety of plastic colours
- Wedgefix-6 housing allows easy customer hand-assembly or factory automated insertion
- When used with Quickfit-6 dowels this provides a true tool-less fastening system

 Technical and mounting details		B	D			
Panel thickness	Drilling depth	Item number	White	Black	Dark brown	
15/16	12.5	06473 →	877	835	898	
18/19	14	06465 →	877	835	898	
<i>Other colours on request</i>						
For use with screw-in dowels   		2500 Pcs Made of plastic				
15/16	12.5	06471 →	877	835	898	
18/19	14	06472 →	877	835	898	
<i>Other colours on request</i>						
For use with Quickfit dowels   		2500 Pcs Made of plastic				

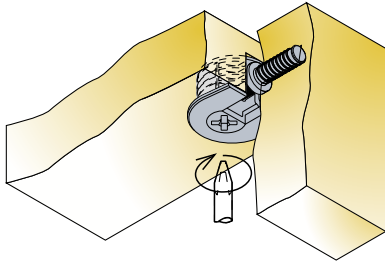
System 6

Flush 20mm Knock-in Housing Non-outrigger


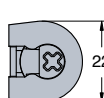
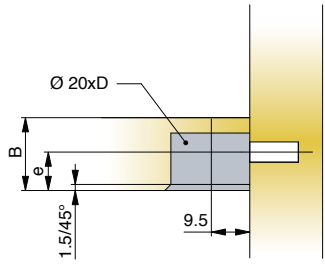

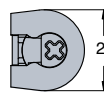
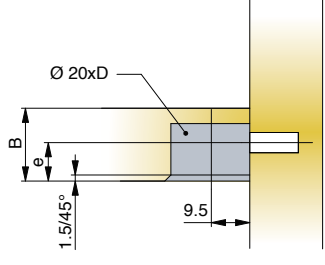

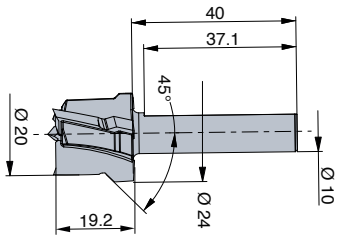
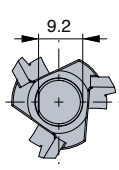


For use with dedicated drill bit only.
See below.

- A face-boring connector with the flush housing permits easy flat-pack transportation without panel damage
- Available for 19mm board thickness for drop-on and/or side-entry applications
- 'Klix' locking feature provides a strong vibration proof connection
- Compatible with all Sys6 screw-in and Quickfit dowels



Technical and mounting details

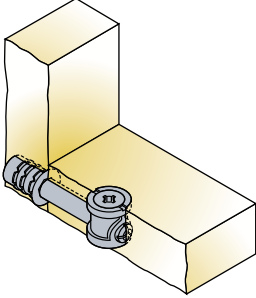

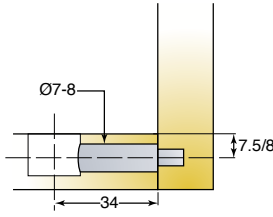

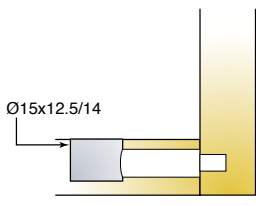

	e	B	D	Item number	White plastic
<p>Side-entry</p>    <p>1000 Pcs Housing made of plastic, cam made of zinc</p>	9.5	19	14.2	06343 →	877
<p>Drop-on</p>    <p>1000 Pcs Housing made of plastic, cam made of zinc</p>	9.5	19	14.2	06348 →	877
<p>Drill bit for Flush 20mm Knock-in housing</p>    <p>1 Pcs Made of carbon steel</p>				0435 0436	

System 7

High Strength Connectors

Contract Fix™ System

- High performance fastener
- Thread design gives repeatability
- Multi-drive recess
- Higher than average pull up

 <p>Technical and mounting details</p>	Item number	Zinc plated	Zinc
<p>M6 Dowel 7x34</p>   <p>1000 Pcs Made of steel</p>	05971 →	883	
<p>Housing cylinder 15x12</p>   <p>1000 Pcs Made of zinc</p>	05960 →		885
<p>Grub screw</p>  <p>2500 Pcs Made of zinc</p>	05917 →		885

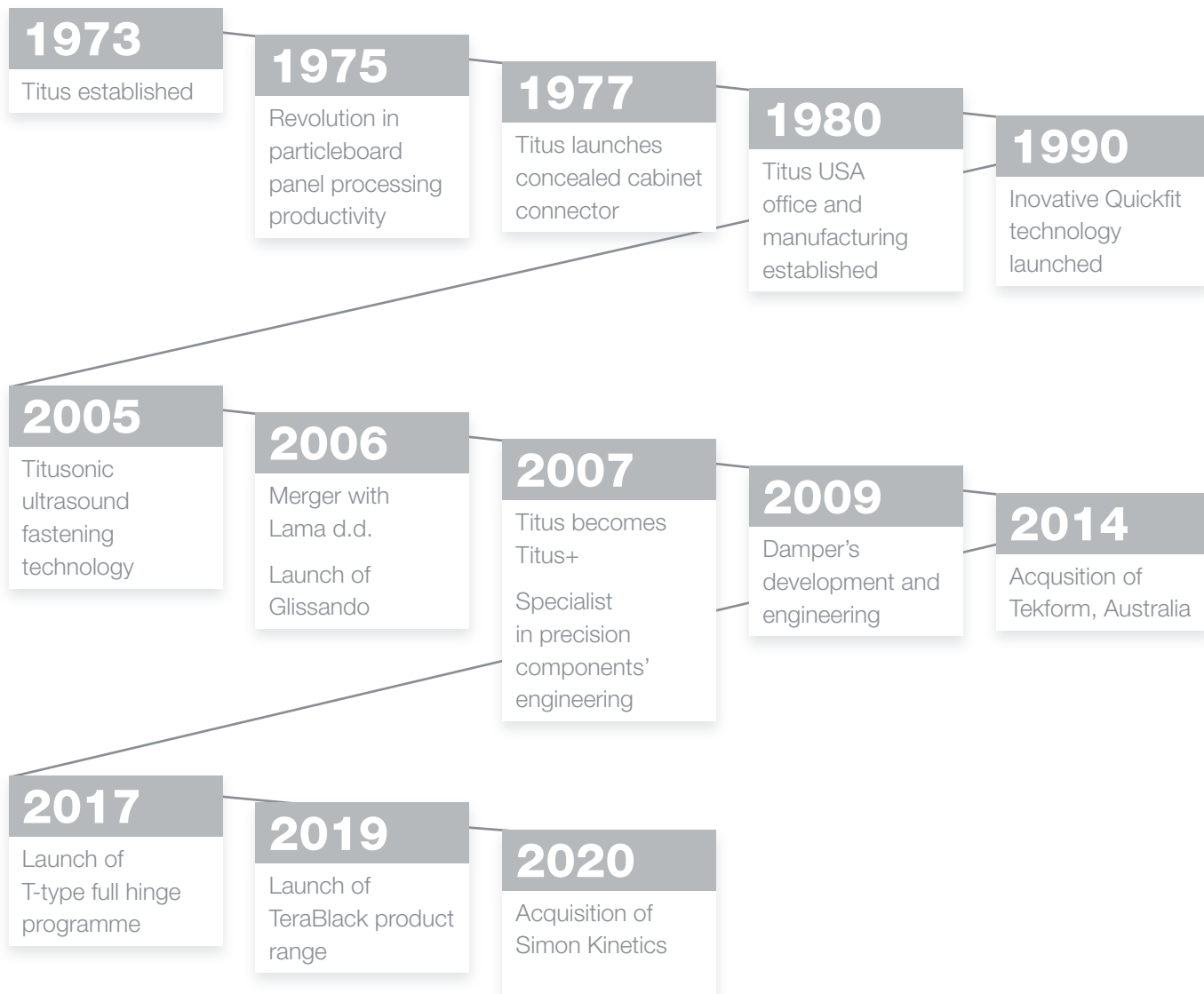
The Titus Group Profile

Titus Group

Titus focuses on the design, manufacture and distribution of connectors, concealed hinges drawers and soft closing mechanisms in furniture and household appliances.

Titus Group is owned and managed from its headquarters in United Kingdom. We are able to provide products and services to every customer around the world based on manufacturing facilities in Europe, North America, China, SE Asia, Australia and New Zealand.

Quickfit technology makes Titus the World leader in connectors for RTA furniture



Vision

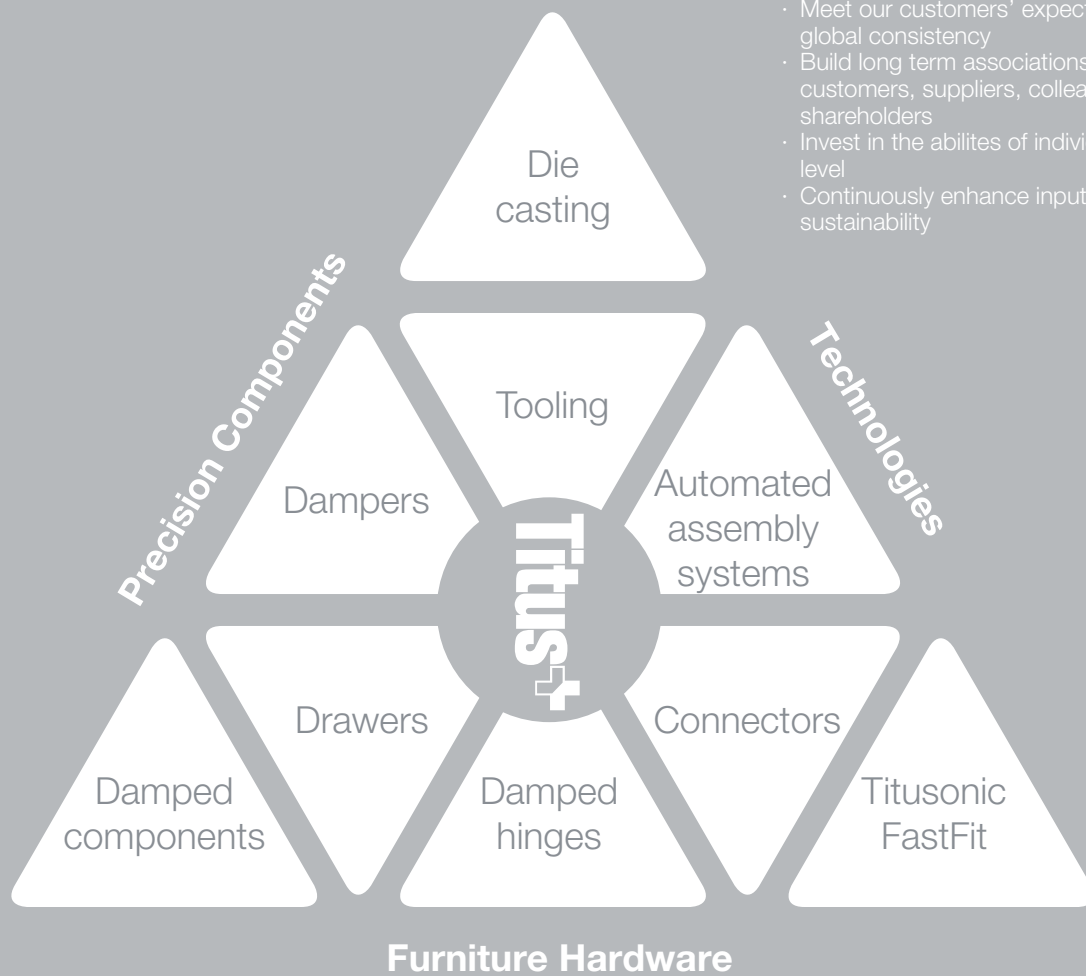
The world's best engineering for precision components

Mission

To provide manufacturers with components' solutions that improve competitiveness

Titus Business Philosophies and Principles

- Gain total knowledge of our customers and their markets
- Focus on identifying and creating high volume component niches
- Meet our customers' expectations with global consistency
- Build long term associations with customers, suppliers, colleagues and shareholders
- Invest in the abilities of individuals at every level
- Continuously enhance input efficiency and sustainability



Furniture Hardware

- Cabinet connectors
- Concealed hinges
- Soft closing systems
- Drawers and drawer systems
- Kitchen accessories
- RV hardware

Components

- Hydraulic dampers
- Precision components
- Precision die castings
- Damped mechanisms

Technologies

- Automated assembly systems
- Die casting technologies
- Tooling
- Titusonic - Ultrasound fastening
- FastFit technology

'Totally Integrated Engineering'

Product Design

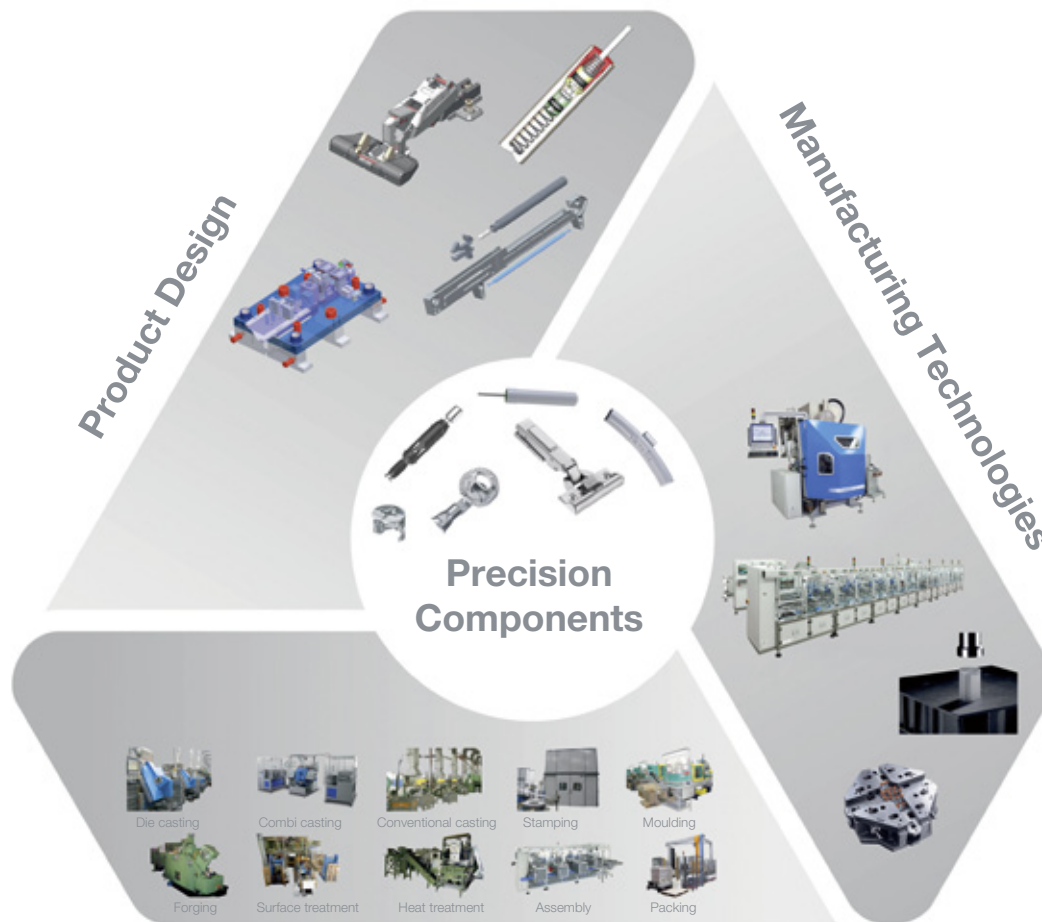
Design and engineering of unique components
Consistent and repeatable product quality

Manufacturing Technologies

To improve productivity and product quality

Manufacturing Operations

A wide array of technologies and services required for high volume production of precision components available in-house



Manufacturing Operations

Fittings for purpose

Unique product advantages for better value for money and lower 'total installed cost'

Innovations that improve

With less parts, less different parts, less preparation actions, faster assembly

Fast time-to-market

Quality

Continuous Improvement

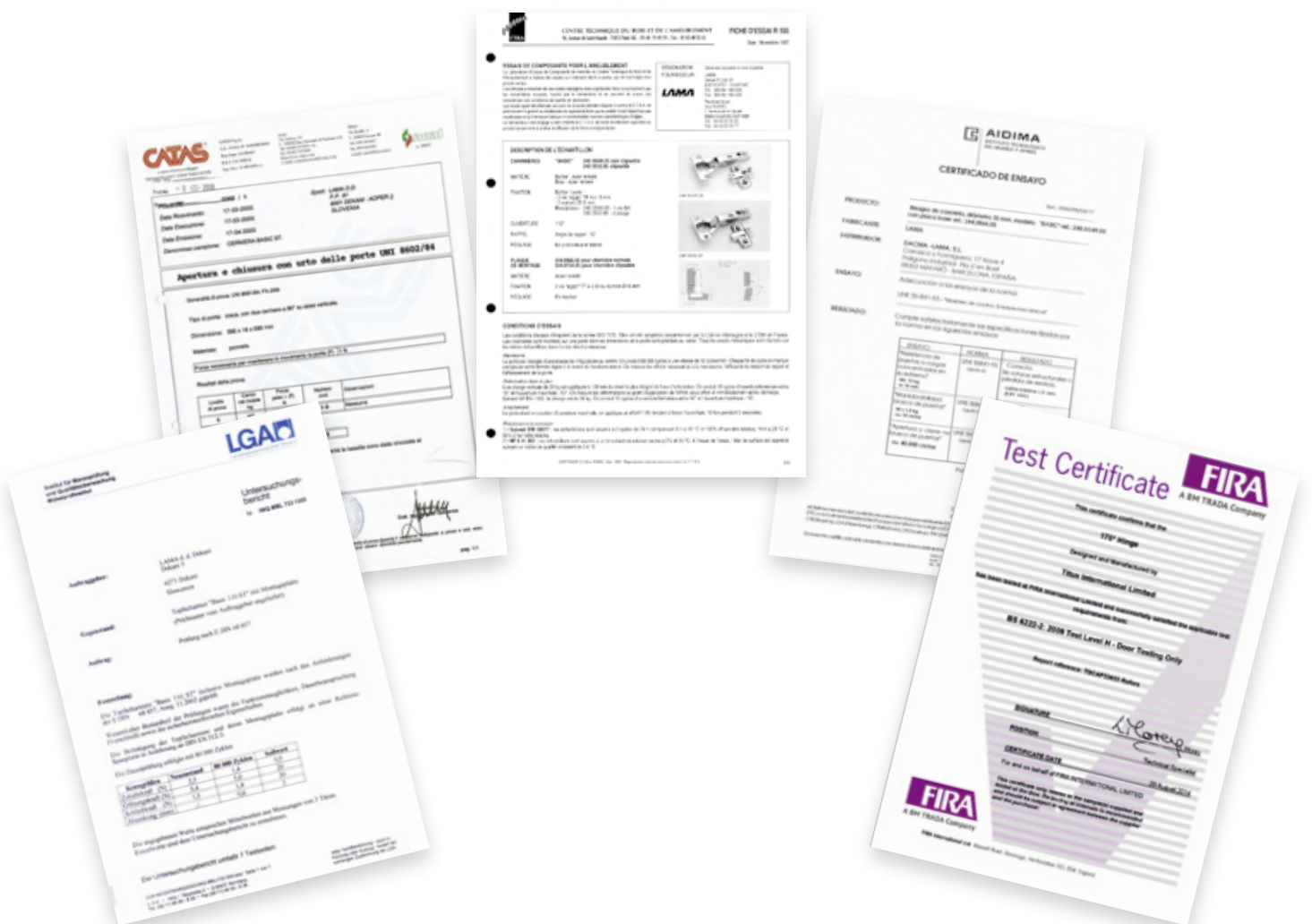
The Titus Group Mission, to improve the competitiveness of our customers, encourages us to continuously improve our products, services, processes and competencies of our employees.

Quality

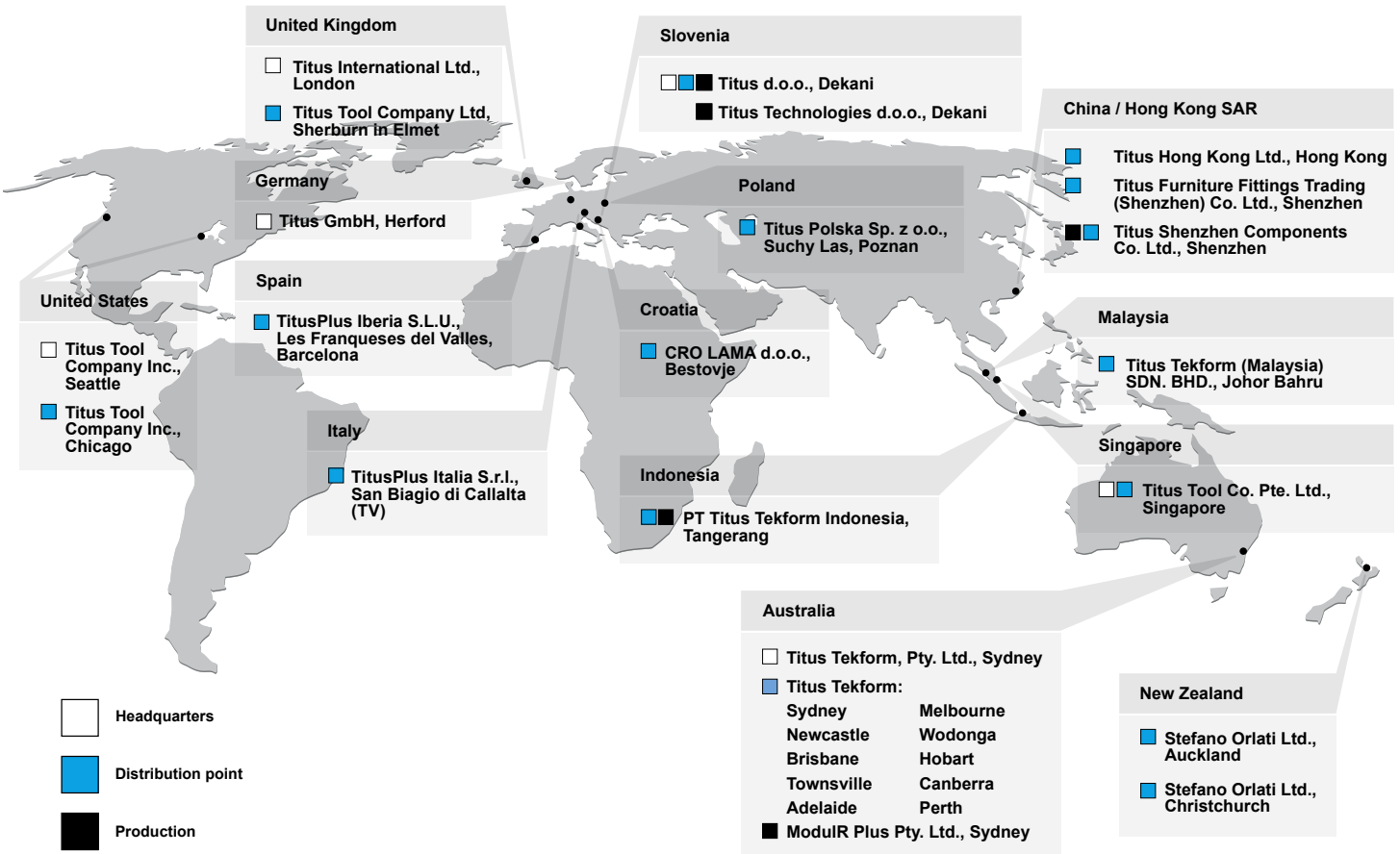
We believe that the Titus Mission is achieved most effectively through the management of our design, manufacturing and service activities in conformance with the ISO 9001 standard for quality management. Quality has a broad meaning for us: it is our guide to the selection of materials, work, processes, internal relations and cooperation with partners.

Products

Our integrated quality system produces technically optimized products of high quality. They are assessed regularly in our own test labs as well as by internationally renowned institutions, such as LGA from Germany, CTBA from France, FIRA from United Kingdom, CATAS from Italy, AIDIMA from Spain, and others.



Worldwide Design, Manufacturing and Distribution Capabilities



Europe

Titus d.o.o. Dekani
 Dekani 5
 SI-6271 Dekani
 Slovenia
 +386 5 6690 213
 +386 5 6690 205 Fax
 info@titusplus.com

Titus Technologies d.o.o.
 Dekani 5
 SI-6271 Dekani
 Slovenia
 +386 5 6690 000
 technologies@titusplus.com

Titus Tool Company Ltd.
 10 Blackburn Industrial Estate
 Enterprise Way
 Sherburn in Elmet
 LS256NA
 United Kingdom
 +44 1977 682582
 +44 1977 680481 Fax
 uk@titusplus.com

CRO LAMA d.o.o.
 Rakitska 10a
 Rakitje
 HR-10437 Bestovje
 Croatia
 +385 1 3323 033
 +385 1 3323 233 Fax
 croatia@titusplus.com

Titus Polska Sp. z o.o.
 ul. Stefańskiego 17 A
 PL-62-002 Suchy Las/Poznań
 Poland
 +48 61 811 5402 Phone/Fax
 +48 61 811 5684 Phone/Fax
 +48 61 821 9362
 poland@titusplus.com

TitusPlus Italia S.r.l.
 Via Aquileia 9
 Frazione Olmi
 IT-31048 San Biagio di Callalta (TV)
 Italy
 +39 04 221 650 120
 +39 04 221 650 136 Fax
 italia@titusplus.com

TitusPlus Iberia S.L.U.
 C/ Luxemburg 16
 ES-08520 Les Franqueses del Valles
 (Barcelona)
 Spain
 +34 938 715 404
 +34 938 605 498 Fax
 iberia@titusplus.com

Titus GmbH, Herford
 Lübberlindenweg 12
 DE-32049 Herford
 Germany
 + 49 5221 102488-0
 germany@titusplus.com

America

Titus Tool Company Inc.
 2800 156th Avenue SE
 Suite 135
 Bellevue, WA 98007
 USA
 +1 800 762 1616 Toll free
 +1 425 746 2080
 +1 425 746 2344 Fax

Titus Tool Company Inc.
 11056 W. Addison Street
 Franklin Park, IL 60131
 USA
 +1 800 762 1616 Toll free
 +1 425 746 2080
 +1 425 746 2344 Fax
 usa@titusplus.com

Australia and New Zealand

Titus Tekform Pty Ltd
 83 Jemma Road
 Prestons NSW 2170
 Australia
 +61 2 9286 0007
 +61 2 9826 0074 Fax
 www.titustekform.com.au
 info@titustekform.com.au

Stefano Orlati Ltd
 34 Waipareira Avenue
 Henderson
 Auckland
 New Zealand
 +64 9 837 0886
 +64 9 837 8003 Fax
 www.stefano-orlati.co.nz
 stefano-orlati@titusplus.com

Asia

Titus Tool Co. Pte. Ltd.
 5004 Ang Mo Kio Ave 5
 Techplace II #04-01
 Singapore 569872
 Singapore
 +65 6383 3922
 +65 6383 3178 Fax
 singapore@titusplus.com

Titus (Shenzhen) Components Co. Ltd.
 1st Floor Building No. 2
 Heng Changrong High-tech Industrial Park
 ShangNan South Road
 Shangjin Street
 Baoan District Shenzhen Province
 China
 +86 755 8348 0916
 +86 8359 2676 Fax
 china@titusplus.com

Titus Tekform Indonesia, PT
 Taman Teknoblok L2 No. 7
 Bumi Serpong Damai Sektor XI
 15314 Tangerang
 Indonesia
 +62 21 75873578
 +62 21 75873574 Fax
 indonesia@titusplus.com

Headquarters

Titus International Ltd
 28 Fitzroy Square
 London
 W1T 6DD
 United Kingdom
 info@titusplus.com
 www.titusplus.com
 info@titusplus.com

Your authorized dealer

Titus Group
www.titusplus.com

Cabinet Connectors 01.1 USA Sep21